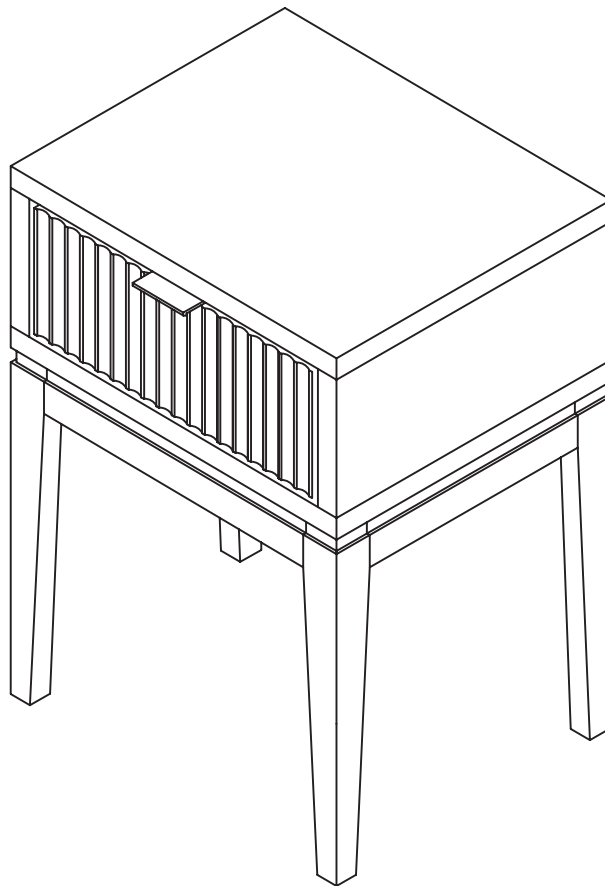


Let's build the

# Jasper Nightstand

SKU 90301



**Scan me!**

Free Lifetime  
Warranty

nathan james

23-0303

# Ok, let's get rolling

This should be easy, just follow our instructions and you will be back to Netflix in no time.

## Estimated time for assembly



5:00

## What you need

- Some of your favourite bubbly or your preferred relaxant
- Use the packaging carton as a working surface to prevent product damage during assembly
- Phillips head screwdriver

## Weight Limitation



100  
lbs

Toll-free at 1-866-619-1004  
Help@nathanjames.com  
Nathanjames.com/help

## What's included

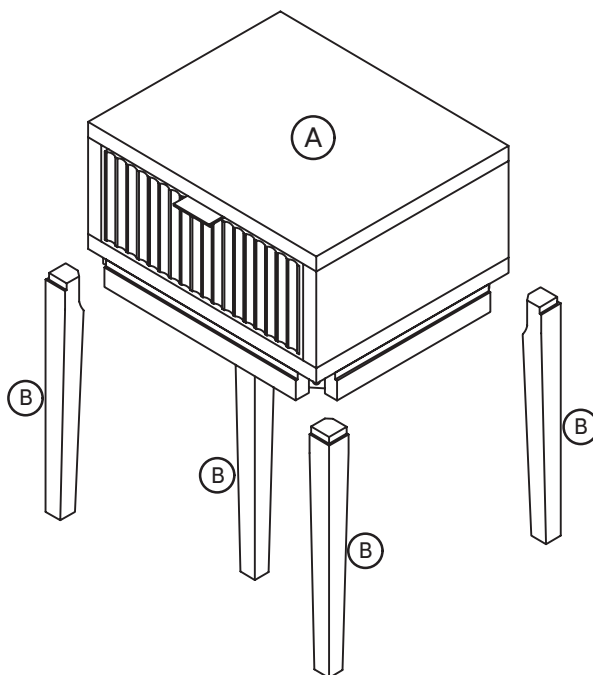
	Description	Qty
A	Drawer Cabinet Sub-assembly	1
B	Leg	4
1	1/4" x 2-3/16" Hex Button Head Bolt	8
2	1/4" x 3/8" Spring Washer	8
3	1/4" x 3/4" Flat Washer	8
4	Allen Key	1
5	Handle	1
6	M3.5*15MM Screw	2
7	Plastic Nail-in Foot (Extra)	4
8	Plastic Bracket (for Anti-Tip)	2
9	Non-drywall Wall Anchor (for Anti-Tip)	2
10	M3.5*15MM Screw (for Anti-Tip)	2
11	Plastic Tether (for Anti-Tip)	1
12	M4*50MM Screw (for Anti-Tip)	2
13	Drywall Wall Anchor (for Anti-Tip)	2

Scan me!

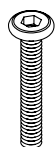
Free Lifetime  
Warranty



# The goods



1



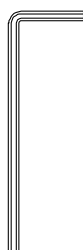
2



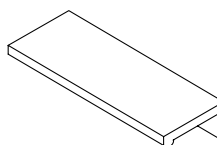
3



4



5



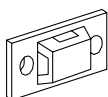
6



7



8



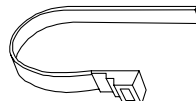
9



10



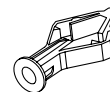
11



12



13

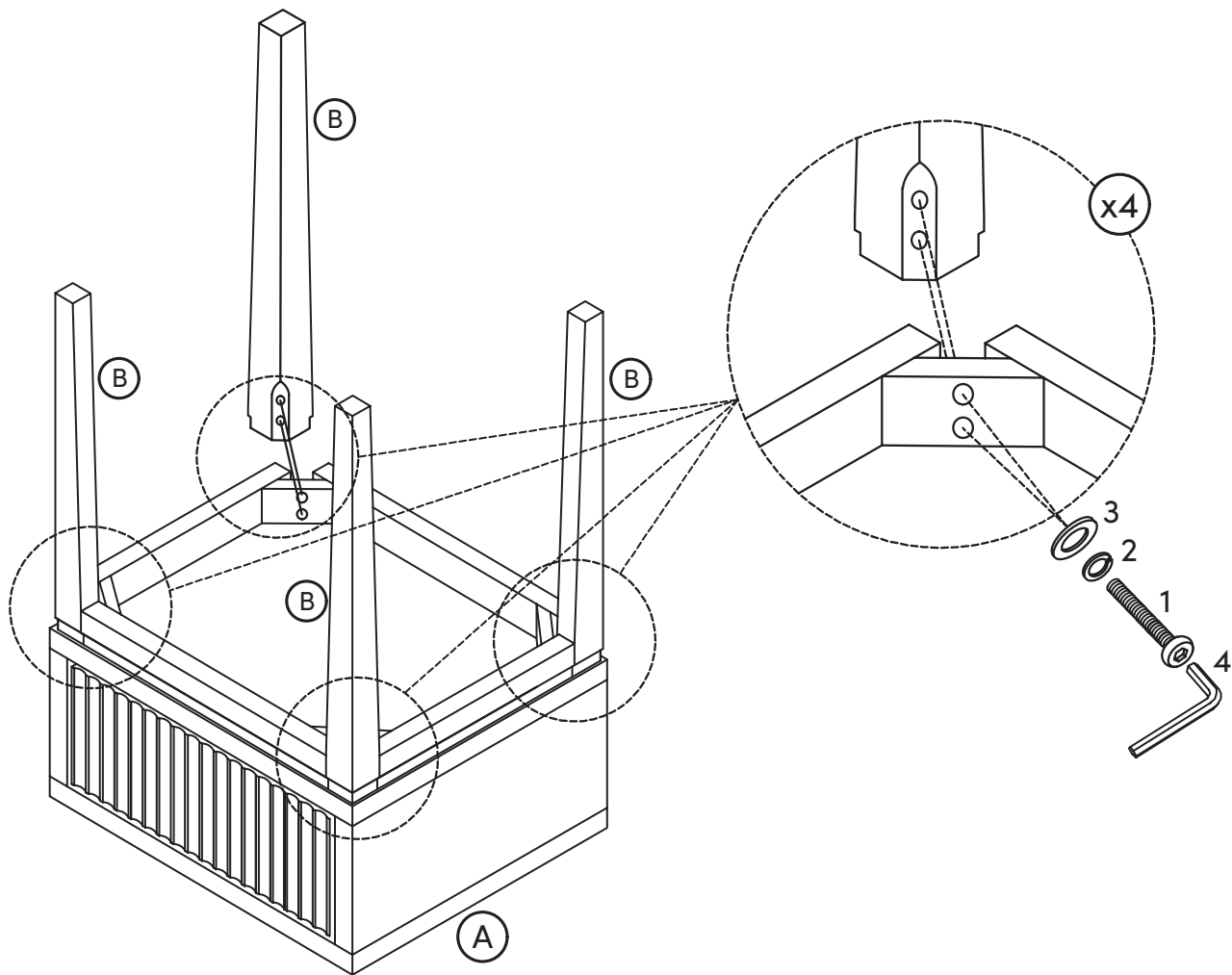


## IMPORTANT

1. Do not tighten bolts / screws completely until all bolts / screws are lined up and inserted into holes.
2. Do not over tighten screws and bolts to avoid stripping.
3. Please use hand tools to assemble this product. Do not use power tools.

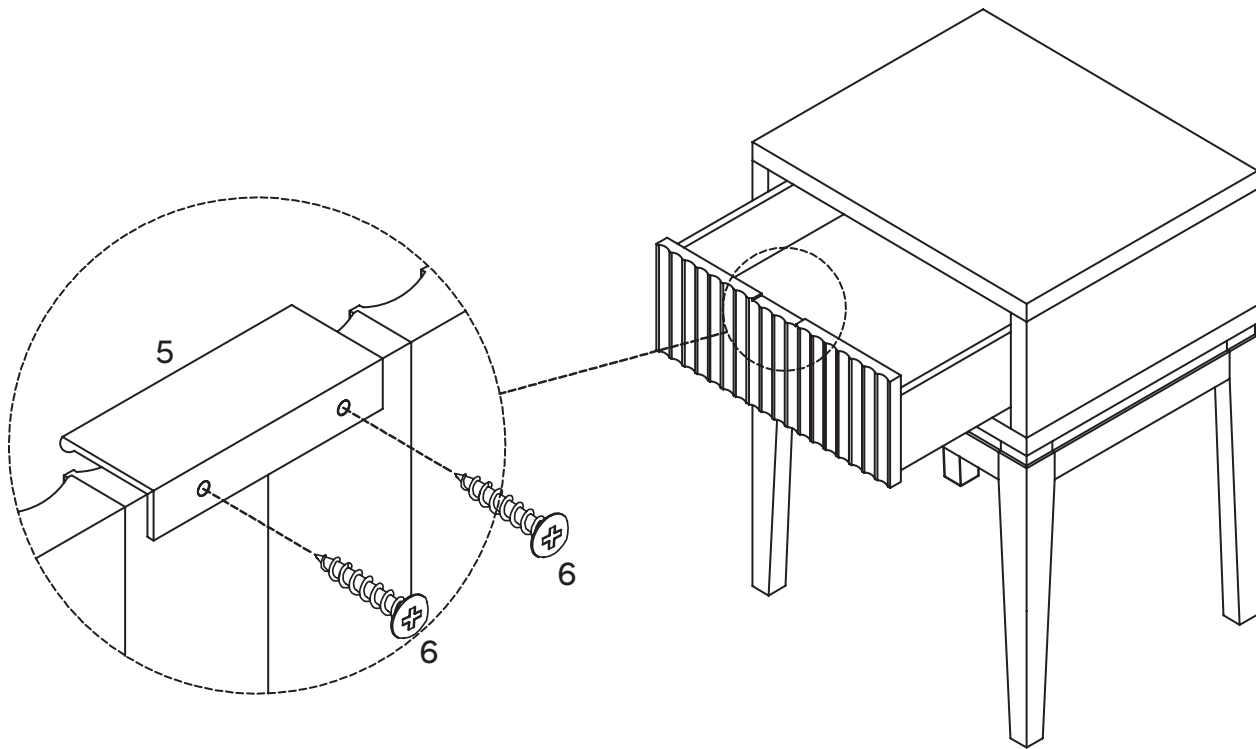
# Step 1

It's as easy as it looks! Secure the Legs (B) on all four corners of the Drawer Cabinet (A) by tightening the 1/4" x 2-3/16" Hex Button Head Bolt (1), 1/4" x 3/8" Spring Washer (2), and 1/4" x 3/4" Flat Washer (3) using the provided Allen Key (4).



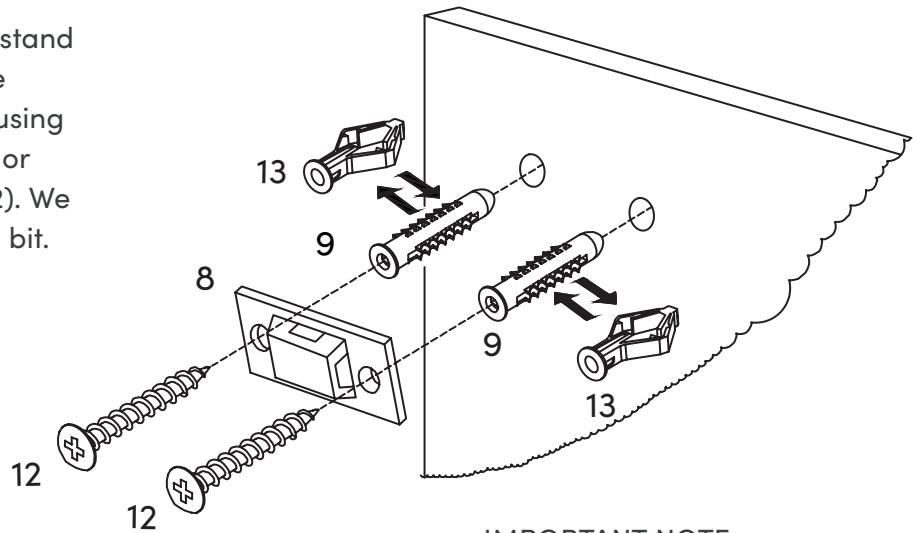
# Step 2

Secure the Handle (5)  
to the drawer using two  
M3.5\*15MM Screws (6).



# Step 3

Safety first! Let's get this nightstand secured to the wall. Mount the Plastic Bracket (8) to the wall using the provided Wall Anchors (9) or (13) and M4\*50MM Screws (12). We recommend using a 5/16" drill bit.

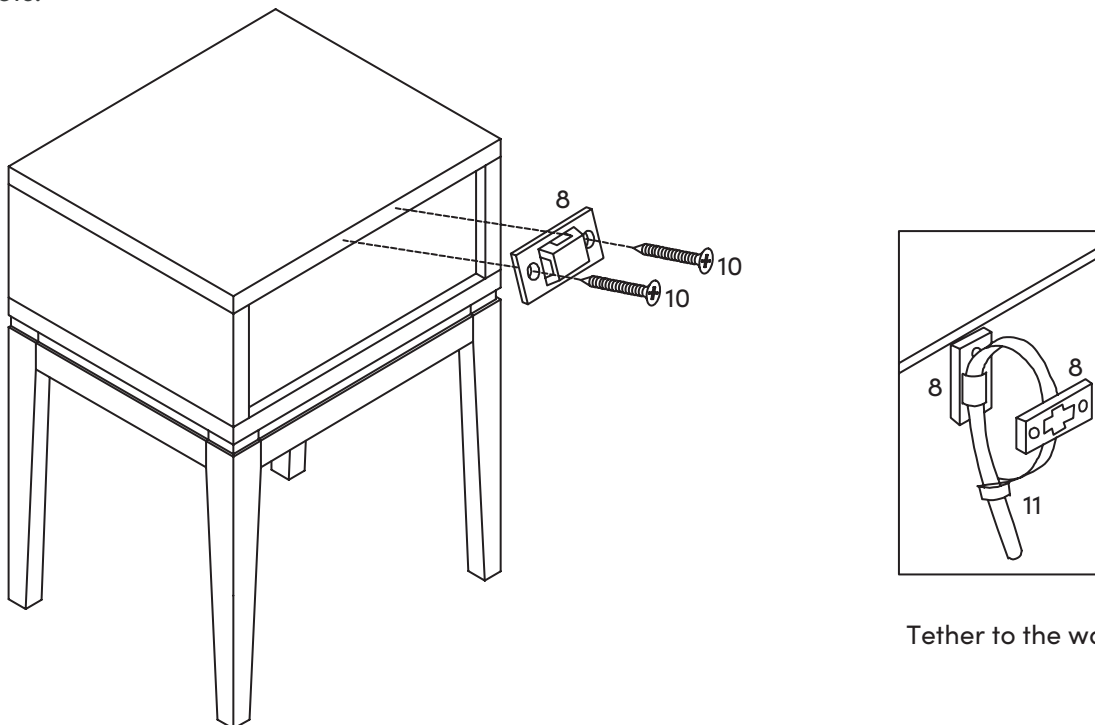


### IMPORTANT NOTE:

Non-Drywall Anchor (9) requires 5/16" Drill Bit  
Drywall Anchor (13) requires 5/16" Drill Bit

# Step 4

Secure the other Plastic Bracket (8) to the back of the nightstand using the M3.5\*15MM Screws (10) and then secure the nightstand to the wall by looping the Plastic Tether (11) through both brackets.



Tether to the wall.

# No heartburn, when we handle the return

Give us a call **1-866-619-1004** or shoot us a message at **help@nathanjames.com** we will issue you a free replacement with **zero hassle**.

## Our way



Give us a call

---



Replacement

---



You

## Their way



Re-package item

---



Schedule pick up

---



Track package

---



Replacement

---



You

We really don't want you to go through the hassle of re-packaging your item and sending it back, because let's be honest...nobody has time for that.

# Safety first, fun later

We want your product to last as long as possible, so we recommend that you tighten the screws 2 weeks after assembly and for added safety check the tightness of all screws every 2 months.

For proper care and treatment, please check our website at [NathanJames.com/products](http://NathanJames.com/products)

## Safe use of this product starts with you.

Use this product responsibly with the primary concern for your safety. Follow assembly instructions carefully and inspect product upon receipt and each use.

Nathan James and its parent companies cannot be held legally responsible for any injuries or death resulted from failure to follow instructions or improper use of this product.

## Do not modify the structure of this product in any way.

Our products have been tested to meet specific safety measures as they were originally intended to be sold. Any modifications will present the risk of creating significant safety issues which NJ will not be responsible for.

## Proper use

- DO NOT** use for commercial purposes
- DO NOT** frolic on chair
- DO NOT** use chair as foot stool
- DO NOT** leave spilled liquid on seat
- DO NOT** use chair if damaged
- DO NOT** make temporary repairs
- DO NOT** use outdoors

# We are only in business if you're happy

For starters, thanks for being you.

☎ Toll-free at 1-866-619-1004

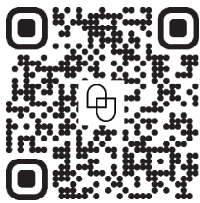
✉ Help@nathanjames.com

🌐 NathanJames.com/help

We do our best to ensure your furniture arrives without any problems, but occasionally mistakes happen—as humans we are imperfect beings. In the event that a part is damaged or missing, we will be more than happy to provide you with replacement part(s) for free.

## Warranty

This product comes with a lifetime warranty from the date of purchase. Please use your phone to scan the QR code to register your product or visit <https://goo.gl/i9dk3q>



### Did we do alright? Please spread the love!

If you are happy with your product, tell your friends and family about us or even better leave us a review online. Spreading the word gives us the opportunity to make more people happy and keep our prices low for your next purchase.

*Brooklyn Burdon*

Founder, Nathan James