

ASSEMBLY INSTRUCTIONS



COFFEE TABLE

ASSEMBLY INSTRUCTIONS

ASSEMBLY TIPS:

1. Remove hardware from box and sort by size.
2. Please check to see that all hardware and parts are present prior to start of assembly.
3. Please follow attached instructions in the same sequence as numbered to assure fast & easy assembly.



WARNING!

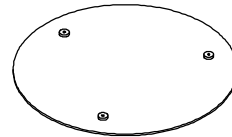
1. Don't attempt to repair or modify parts that are broken or defective. Please contact the store immediately.
2. This product is for home use only and not intended for commercial establishments.

ASSEMBLY TIME 15 MINUTES

PARTS IDENTIFICATION

B1: TOP

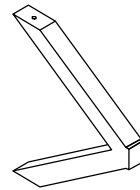
A GLASS TOP



1PC

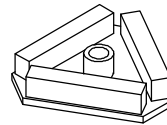
B2: BASE

B METAL LEG



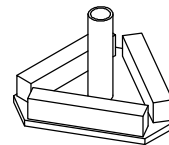
3PCS

C TRIANGLE TOP COVER



1PC

D TRIANGLE BOTTOM COVER



1PC

Z

HARDWARE IDENTIFICATION

1 SHORT BOLT
(1/4" x 28mm SR)



3PCS

2 LONG BOLT
(1/4" x 56mm SR)



1PC

3 ADHESIVE



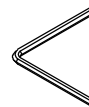
3PCS

4 CAP



3PCS

5 ALLEN WRENCH
(4mm)

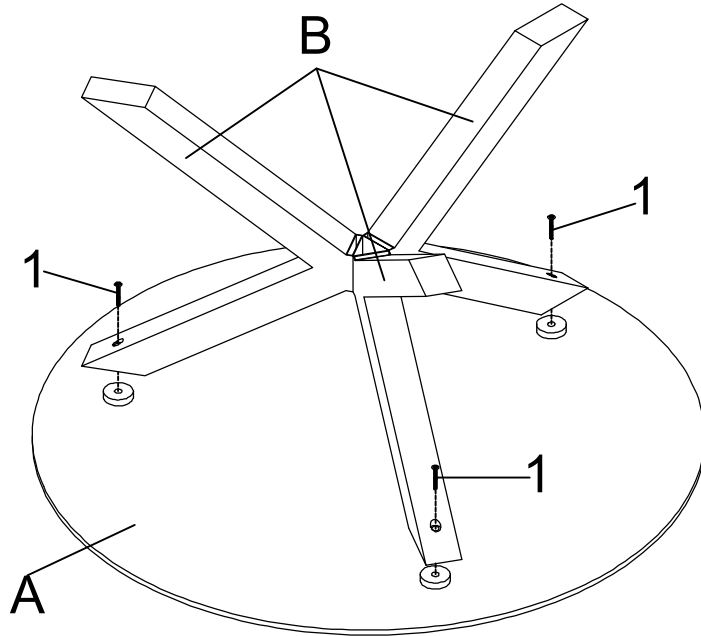


1PC

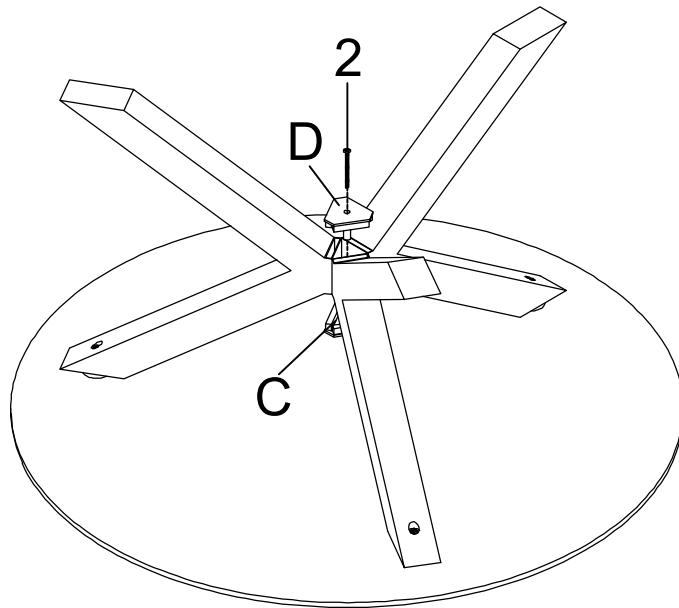
I

ASSEMBLY INSTRUCTIONS

STEP 1 Do not tighten until each step is completed or instructed.

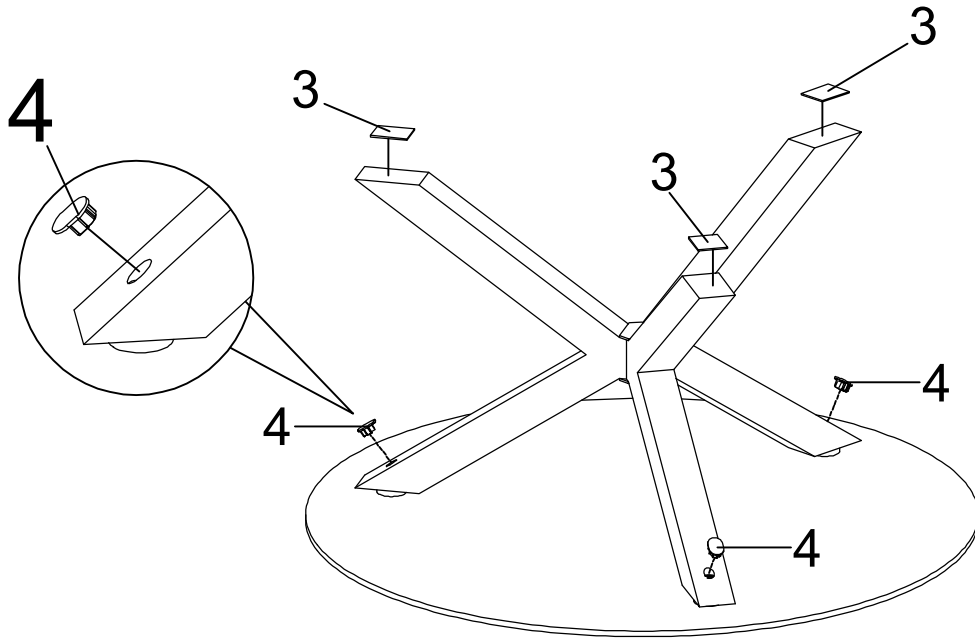


STEP 2



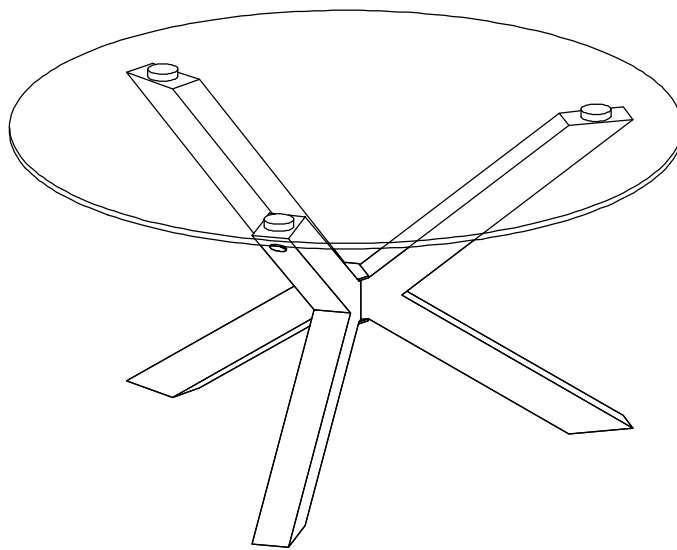
ASSEMBLY INSTRUCTIONS

STEP 3



STEP 4

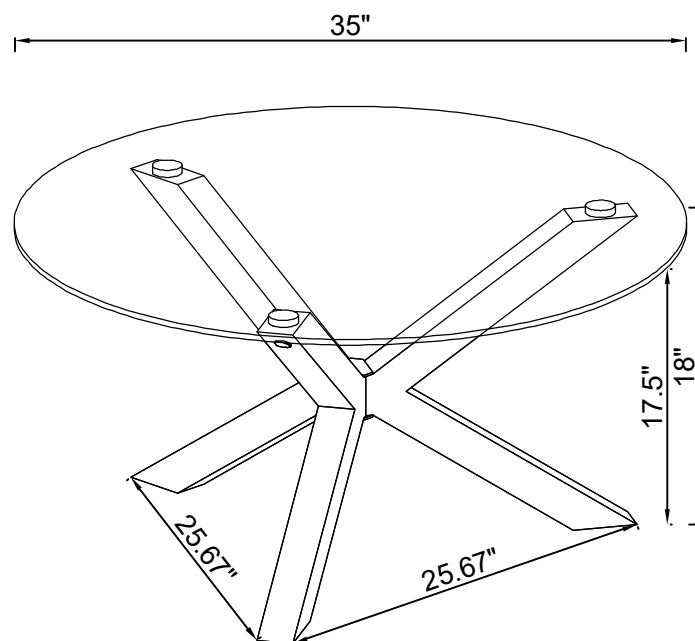
COMPLETE



ASSEMBLY INSTRUCTIONS

Product Size : 889 DIA X 457H (MM)

Product Size : 35" DIA X 18"



Note : Dimension tolerance $\pm 5\%$