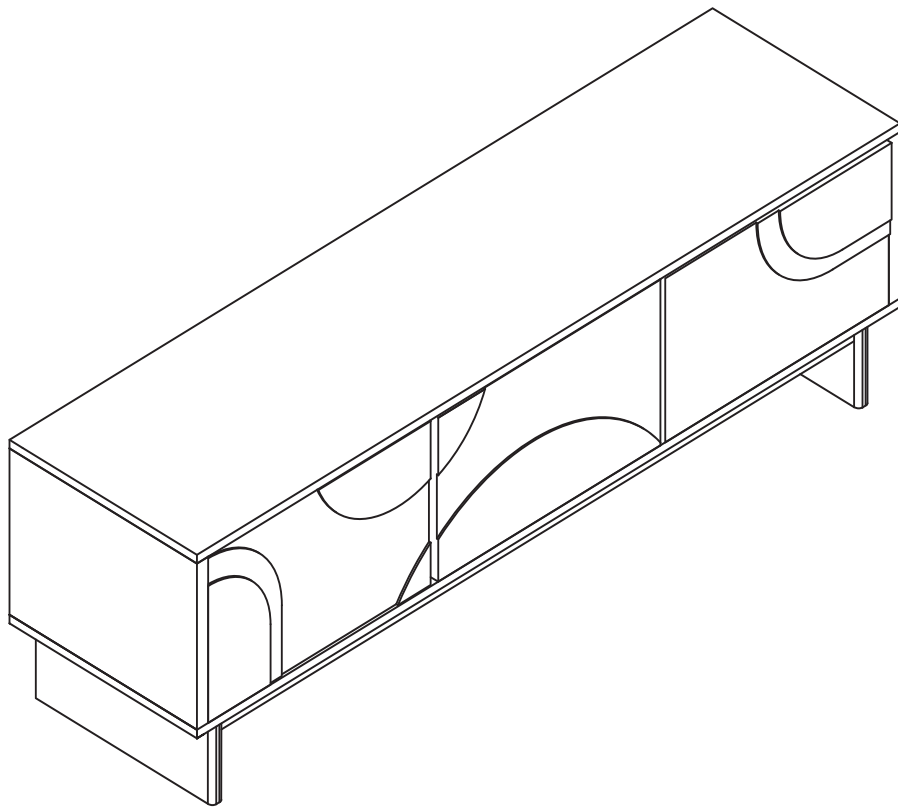


LuxenHöme

TV Stand and Console

SKU WHIF2821



ASSEMBLY INSTRUCTIONS



60 min. assembly

2 person

*The estimated assembly time may vary depending on the individual.

Hey, there

Now is assembly time!

Deeeeep breathe.... and again....
Tools ready,
Easy peasy!

Estimated



60 min. assembly
2 person

Tools Required

- Phillips screwdriver (not included)
- Power Drill (not included)

important: *Cautious when you use power tools*

Need Help?

Call us at +1 909 548 6688
Email customerservice@luxenhome.com
Submit a ticket on www.luxenhome.com/help

Thank you for purchasing this LuxenHome product. This product has been manufactured with the highest standards of safety and quality.

PLEASE READ ALL INSTRUCTIONS CAREFULLY BEFORE ASSEMBLY.

Un pack all parts from the packaging inside the carton to ensure there are no missing or damaged parts. Lay out all the parts on a clean, flat, and soft surface to prevent scratches. Refer to the steps provided as assembling guide.

Do not attempt to assemble or use the product if any parts are missing or damaged.

REMINDERS

SAFE USAGE IS KEY

Your well-being is our top priority when you use our product. Please prioritize your safety by diligently following the assembly guidelines and inspecting the product carefully both when it arrives and before each use.

Please be aware that LuxenHome and Winsome House, Inc. cannot be held liable for any injuries or fatalities that occur due to not adhering to the provided instructions or misuse of the product.

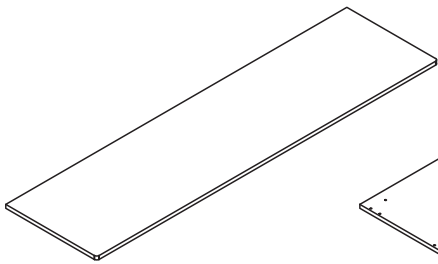
DO NOT MODIFY

Our products undergo rigorous testing to ensure they meet established safety standards before being released for sale. Altering the product in any way can lead to serious safety concerns, for which LuxenHome cannot assume responsibility.

Please save this manual for future reference.

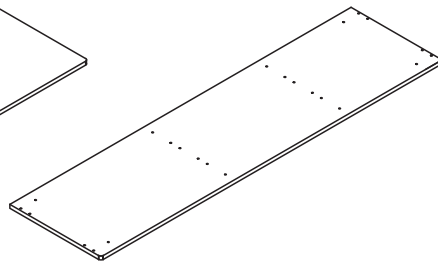
What's in the box

Parts



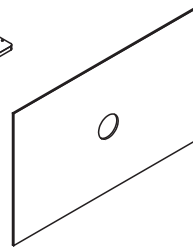
1 × 1

Top panel



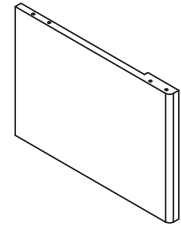
2 × 1

Bottom panel



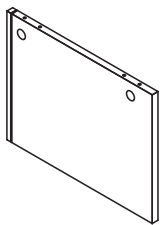
3 × 3

Back panel



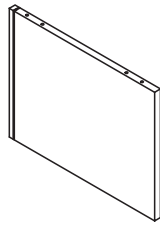
4 × 1

Left side panel



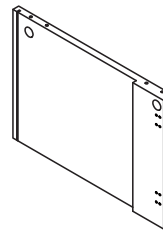
5 × 1

Middel support panel



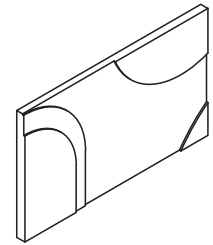
6 × 1

Middel support panel



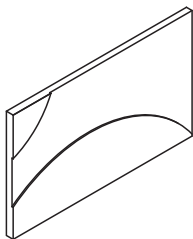
7 × 1

Right side panel



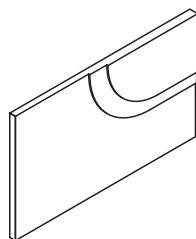
8 × 1

Left door panel



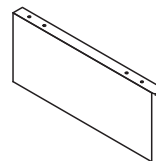
9 × 1

Middel door panel



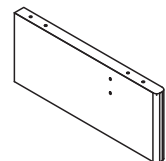
10 × 1

Right door panel



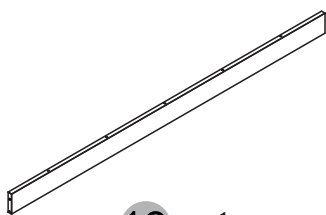
11 × 1

Left leg panel



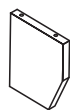
12 × 1

Right leg panel



13 × 1

Bottom support bar

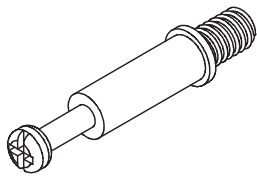


14 × 2

Middel support leg

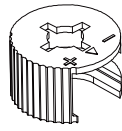
Please save this manual for future reference.

Hardware & Accessory

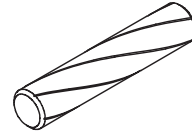


A ×15+2

M6×35mm



B ×15+2

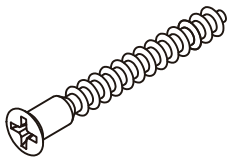


C ×22+3

M8×30mm

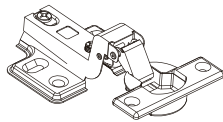


D ×2

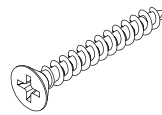


E ×16+2

M5×40mm

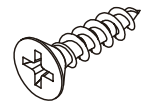


F ×6



G ×2

M4×35mm



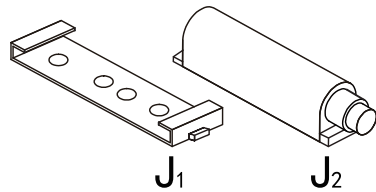
H ×36+3

M4×14mm

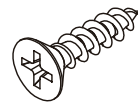


I ×6

M3×12mm

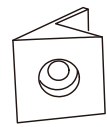


J ×3



K ×12+2

M3×14mm

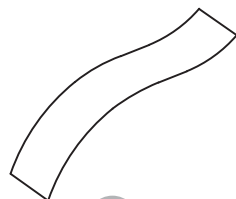


L ×12+2

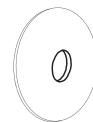


M ×2

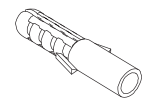
M4×12mm



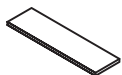
N ×2



O ×4



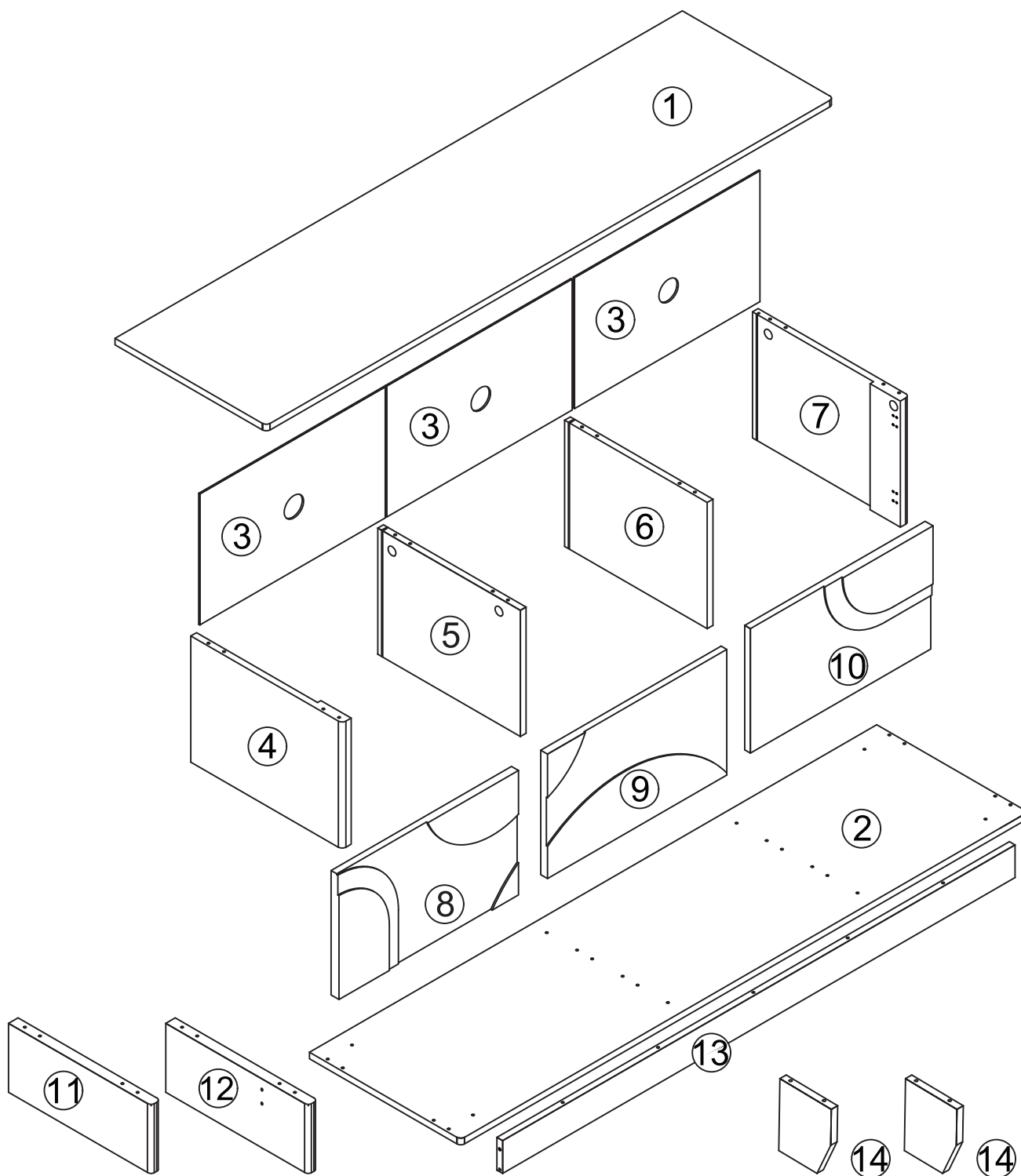
P ×2



Q ×4

Please save this manual for future reference.

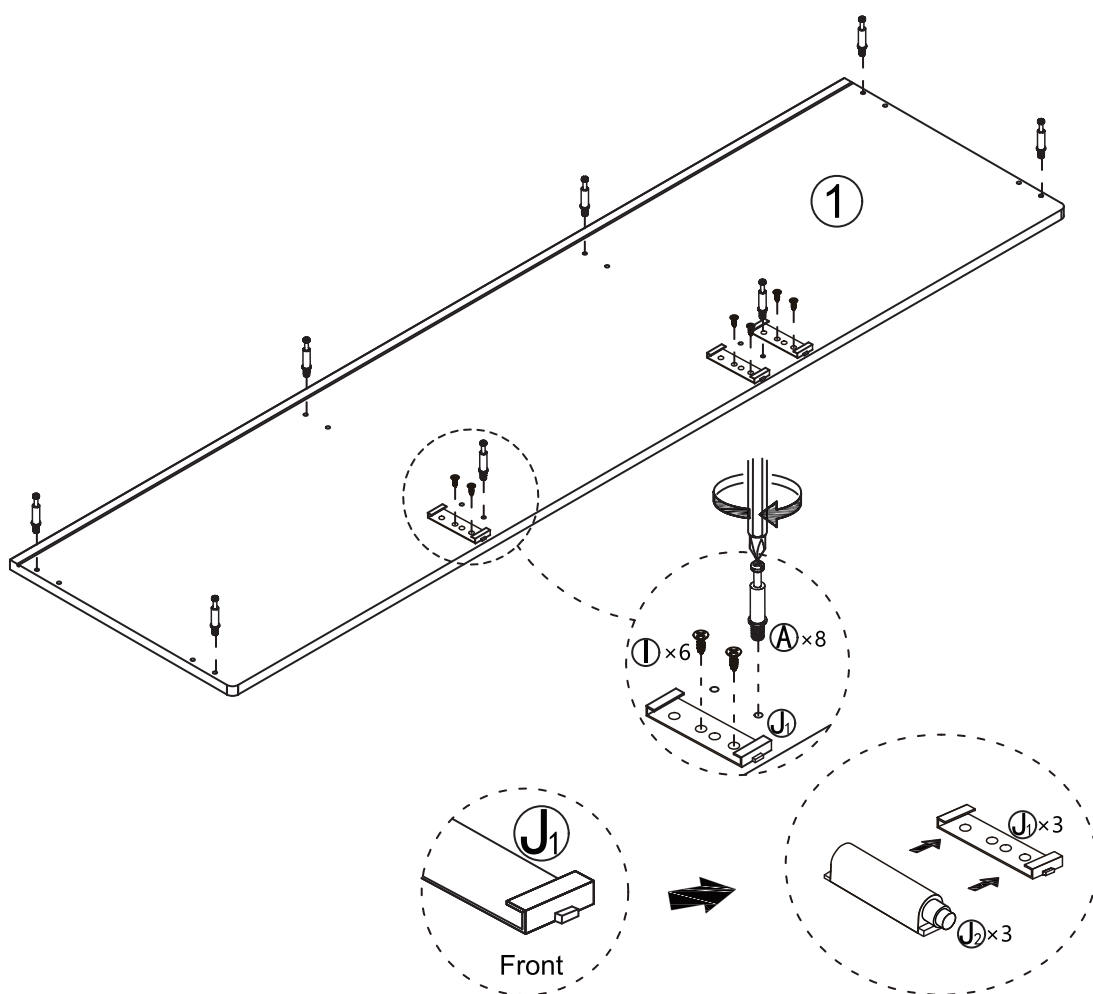
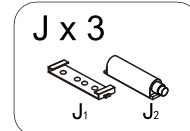
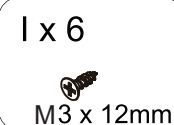
Assembly



Please save this manual for future reference.

Step 1

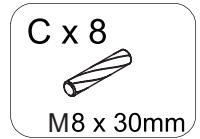
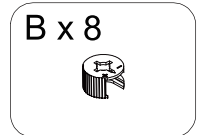
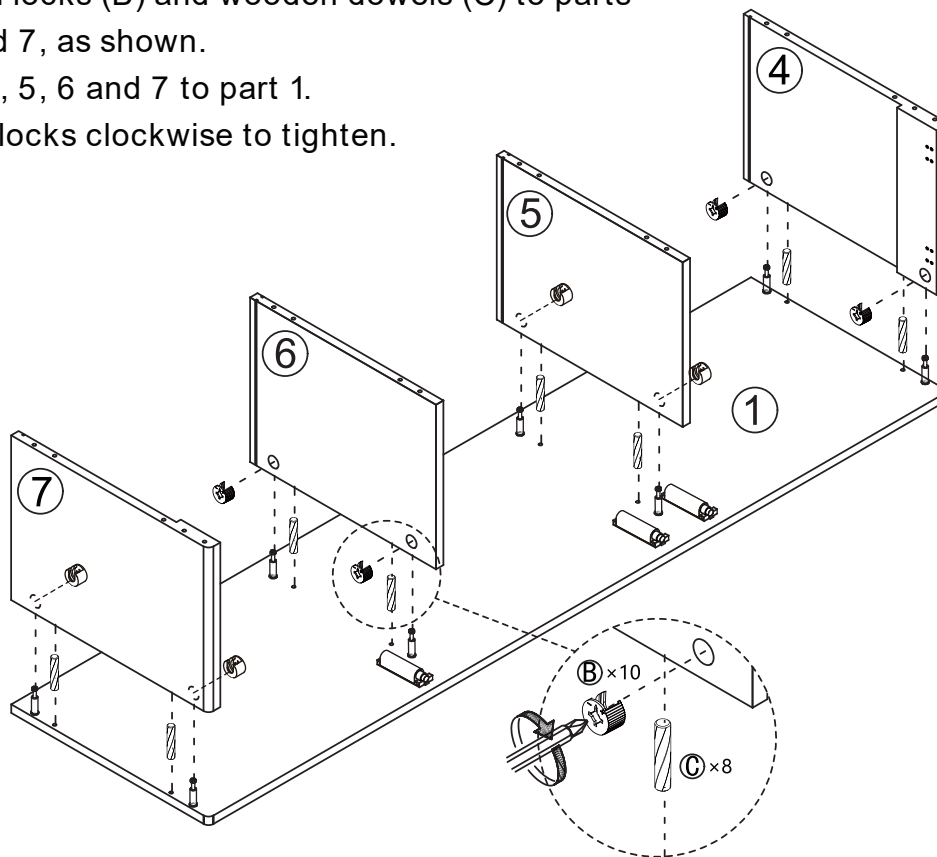
Insert quickfit screws (A) to part 1, as shown.
Fix door catch (J) to part 1 using screws (I), as shown.



Please save this manual for future reference.

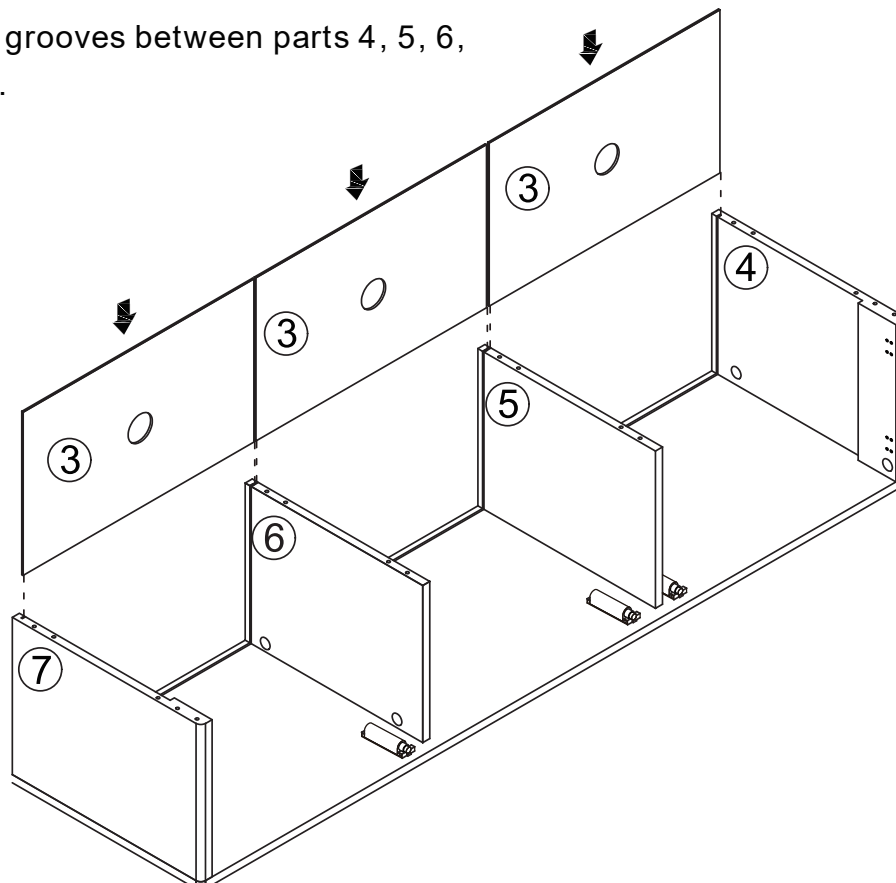
Step 2

Insert cam locks (B) and wooden dowels (C) to parts 4, 5, 6 and 7, as shown.
Fit parts 4, 5, 6 and 7 to part 1.
Turn cam locks clockwise to tighten.



Step 3

Insert parts 3 into grooves between parts 4, 5, 6, 7 and 1, as shown.



Please save this manual for future reference.

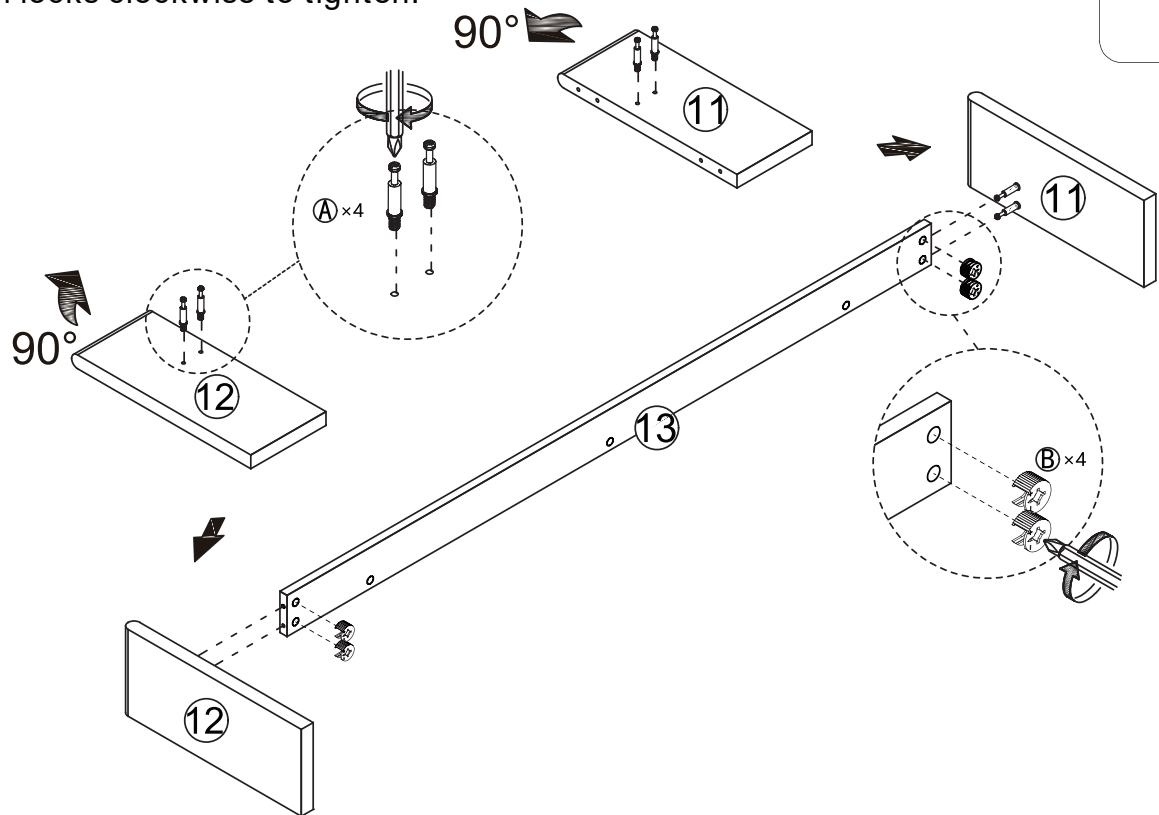
Step 4

Insert quickfit screws (A) to parts 11 and 12, as shown.

Insert cam locks (B) to part 13.

Fit parts 11 and 12 to part 13.

Turn cam locks clockwise to tighten.



A x 4



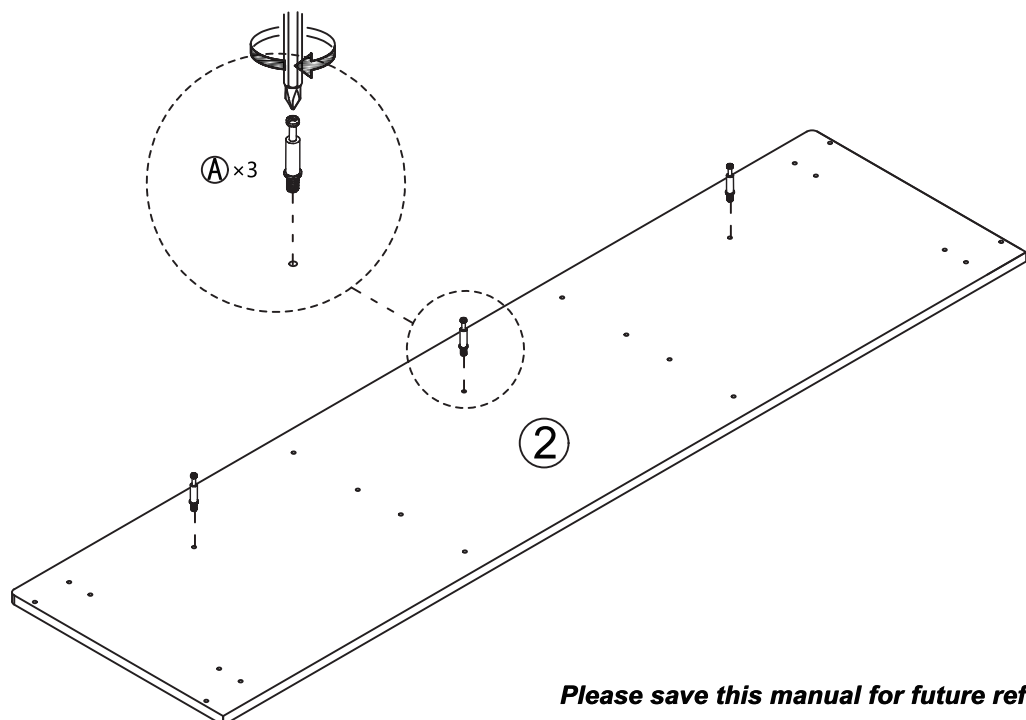
B x 4



Step 5

Insert quickfit screws (A) into part 2, as shown.

A x 3



Please save this manual for future reference.

Step 6

Insert cam locks (B) and wooden dowels (C) into parts 11, 12, 13 and 14.

Fit parts 11, 12, 13 and 14 to part 2.

Turn cam locks clockwise to tighten.

Secure parts 11, 12 and 14 to part 2 using screws (E), as shown.

B x 3



C x 6

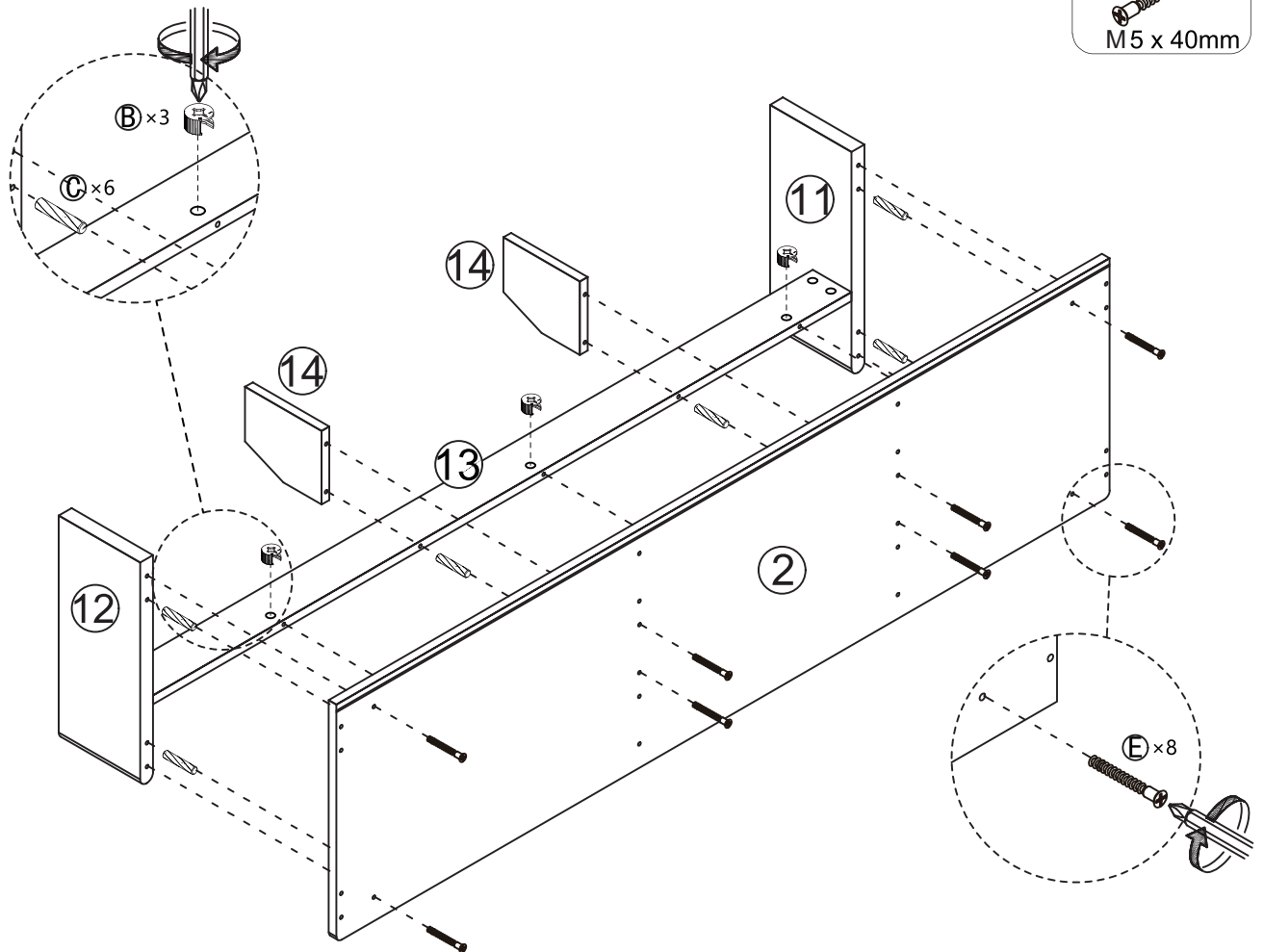


M8 x 30mm

E x 8



M5 x 40mm



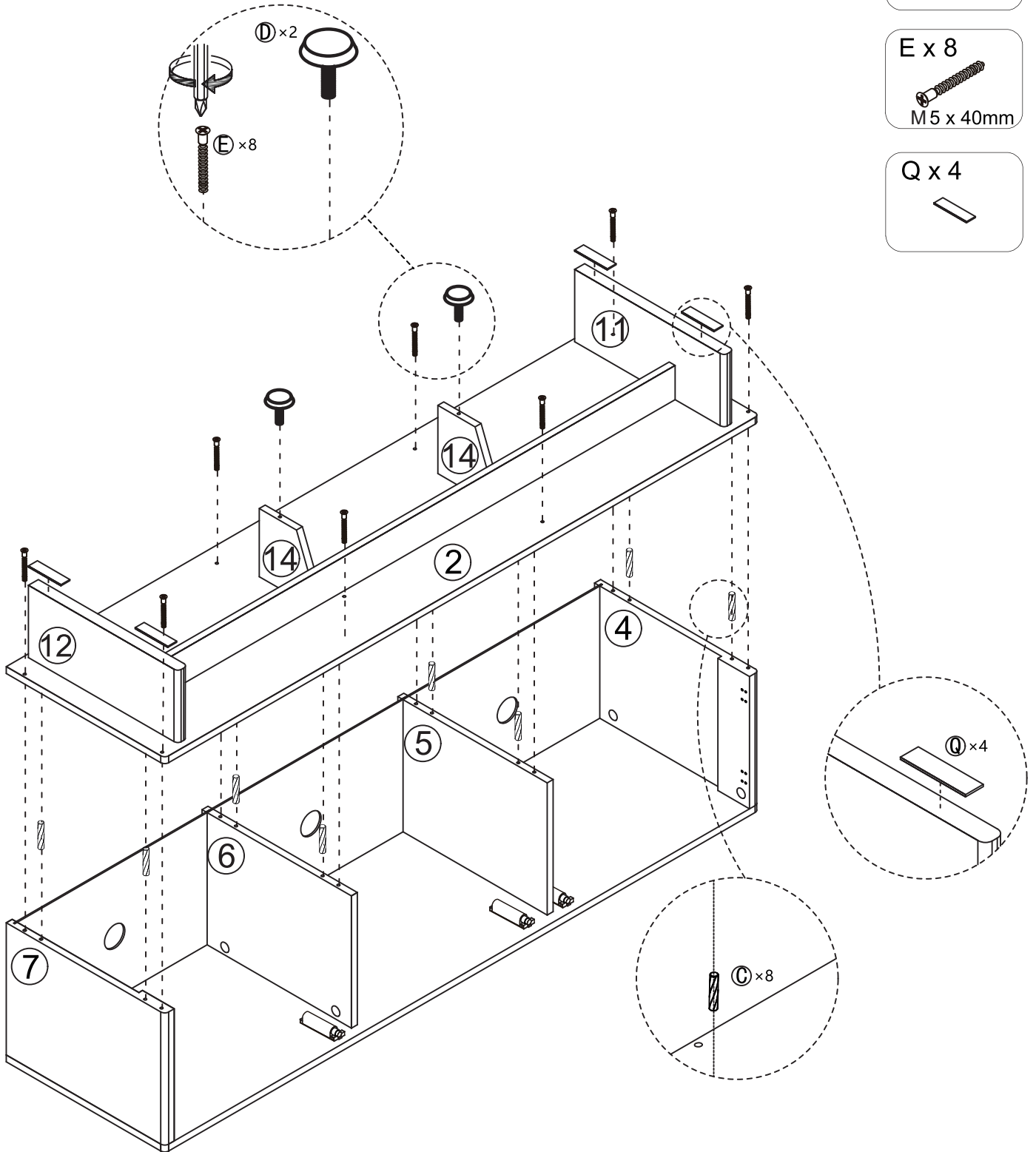
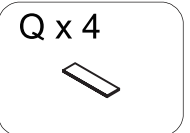
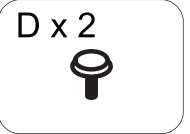
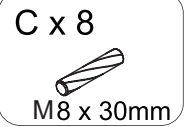
Step 7

Insert wooden dowels (C) to parts 4, 5, 6 and 7.

Fix part 2 to parts 4, 5, 6 and 7 using screws (E), as shown.

Turn foot adjustable screws (D) to parts 14.

Stick foot pads (Q) to parts 11 and 12, as shown.



Step 8

Fix hinges (F) to doors 8, 9 and 10 using screws (H), as shown.

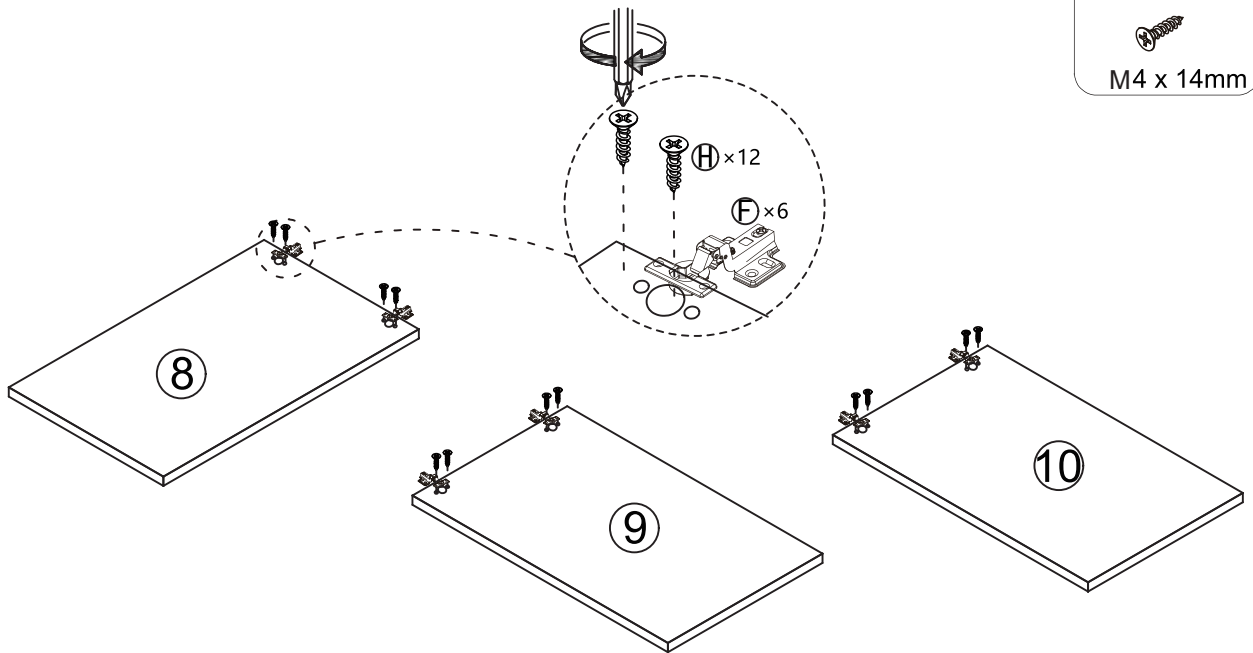
F x 6



H x 12



M4 x 14mm



Step 9

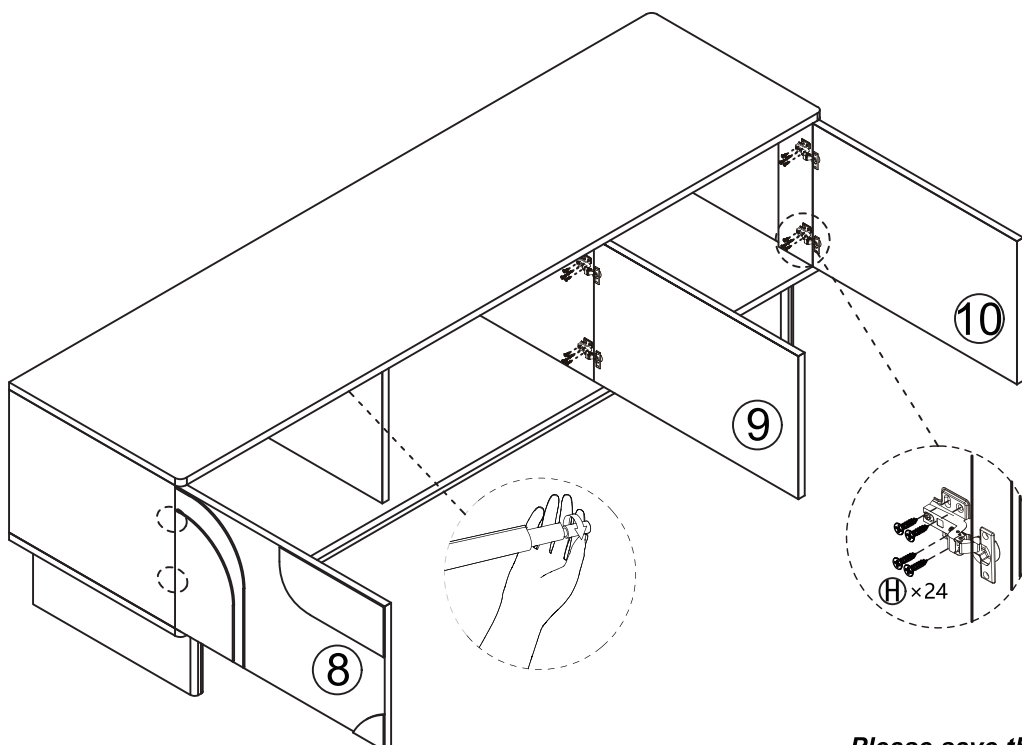
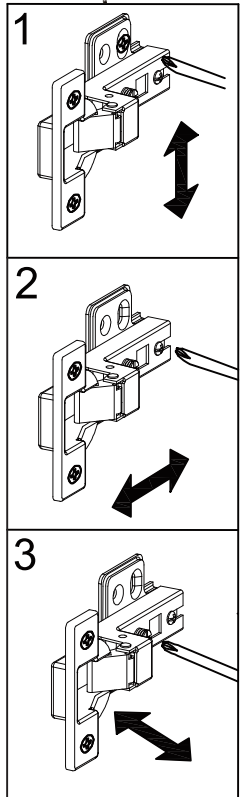
Fix doors 8, 9 and 10 to assembled unit using hinges with screws (H), as shown.

H x 24



M4 x 14mm

Example



Please save this manual for future reference.

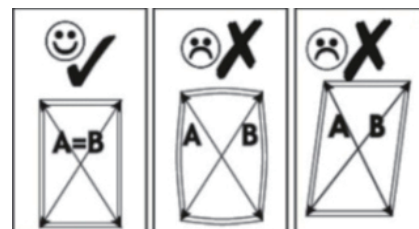
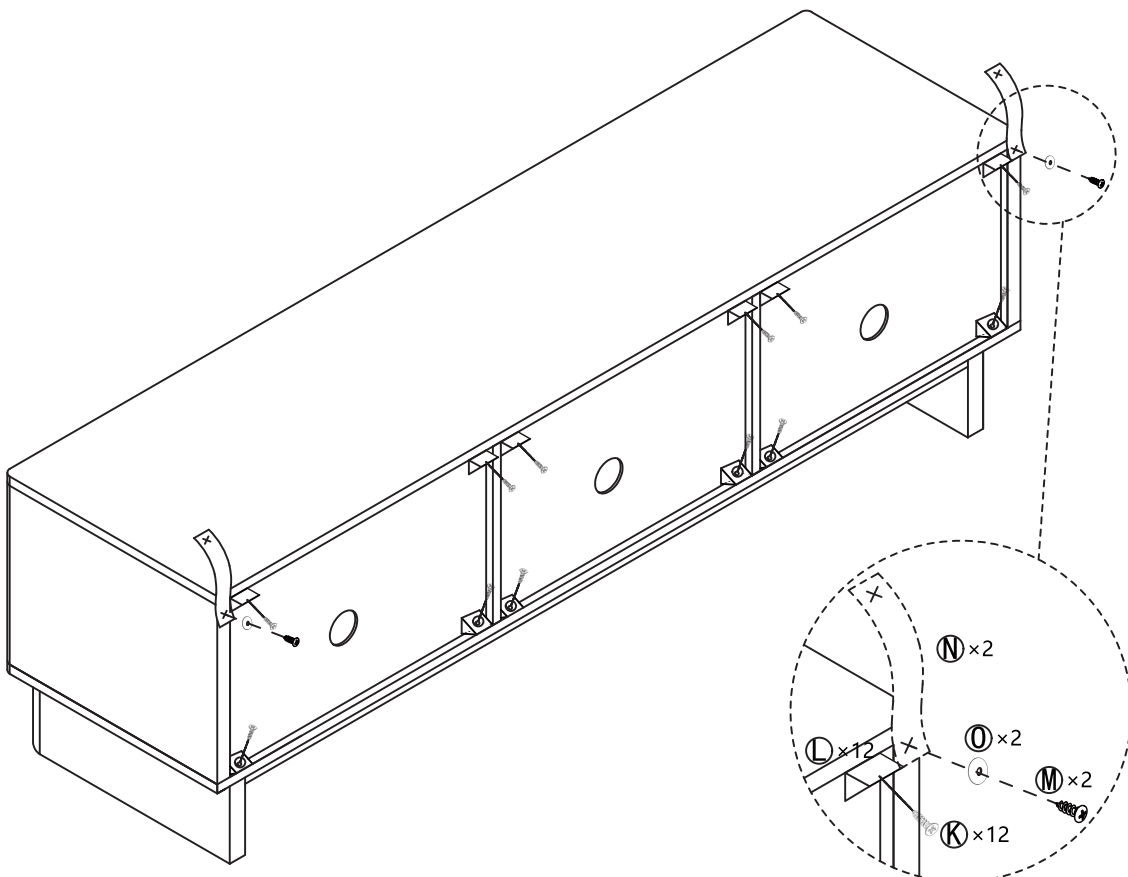
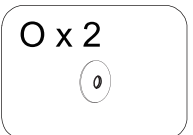
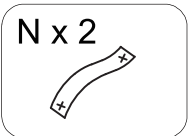
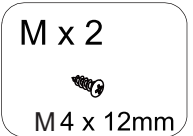
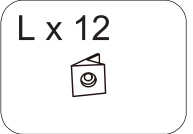
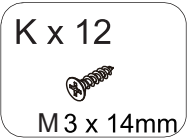
Step 10

Fix wall straps (N) to part 1 using washers (O) and screws (M), as shown.
Secure backing panels 3 by fixing wedges (L) using screws (K), as shown.

ATTENTION PLEASE

Please ensure the structure is straight and level and all panels are at right angles before installing hardware (L).

MUST install hardware (L) to strengthen product stability



Please save this manual for future reference.

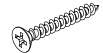
Step 11

For extra stability, it is recommended that your TV Stand Console be fixed to the wall using hardware (G, O and P), as shown.

Screws (G) are fixed through wall straps and washers (O) and into the wall plugs (P).

Should you choose not to affix the product to the wall, serious injury may be caused if the product tips over.

G x 2

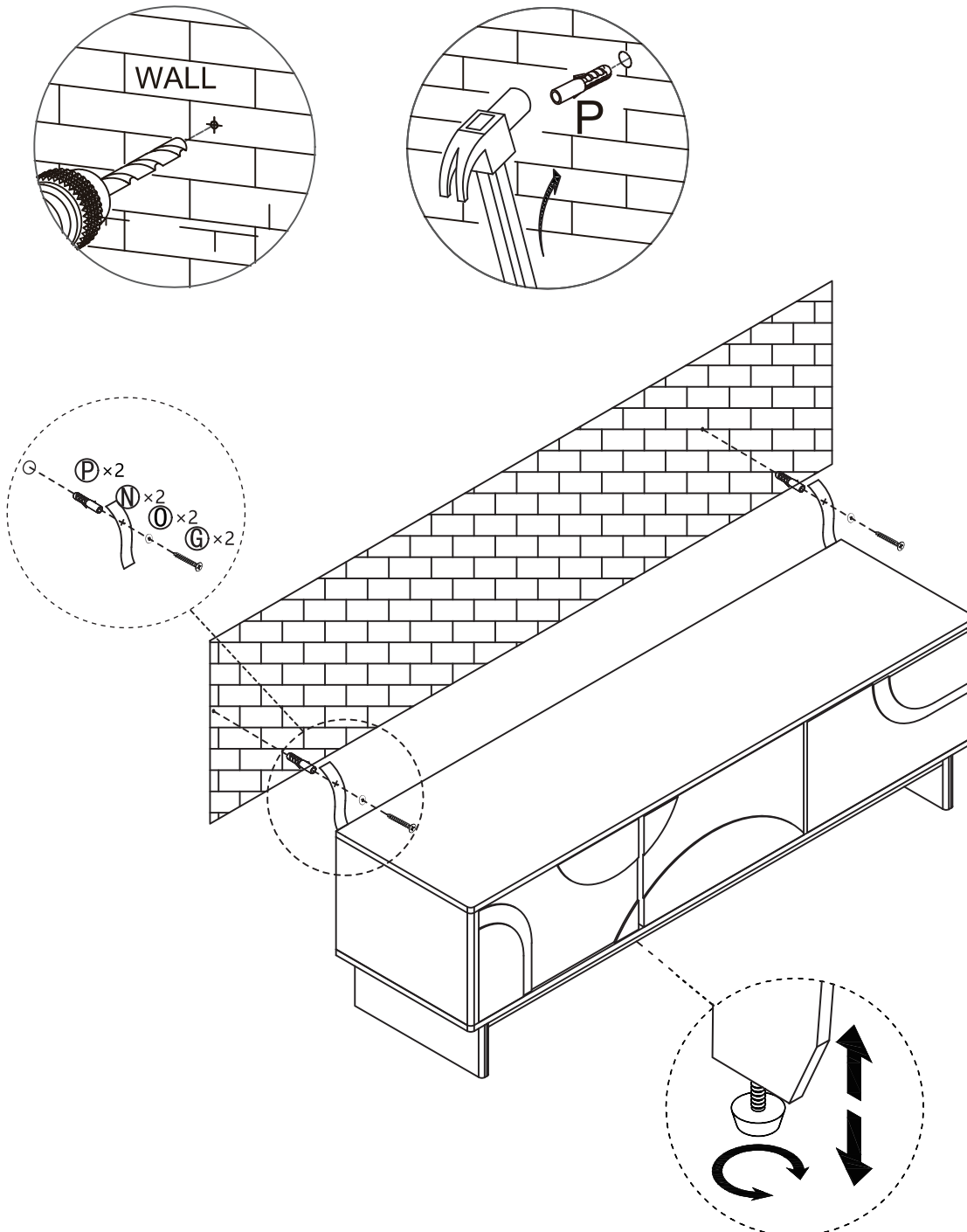
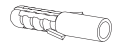


M4 x 35mm

O x 2

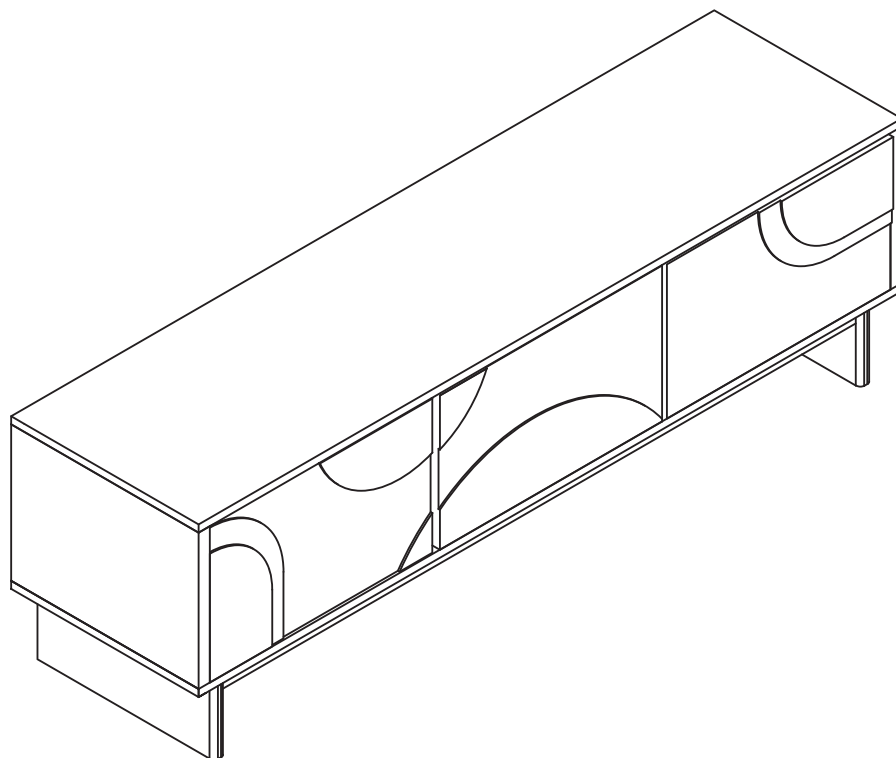


P x 2



Please save this manual for future reference.

VOILA!
Now enjoy.



Warning

DO NOT sit or stand on the TV Console as this may damage the product and cause serious bodily injury.

Please save this manual for future reference.

Something not right?

We are always here to help.

We make mistakes like every human does.

Though we always strive to provide the best possible products at competitive prices and the best service in the industry, it's not possible to completely eliminate mistakes. If you experience any dissatisfaction, feel free to contact us immediately. Our in-house customer care team will respond ASAP.



customerservice@luxenhome.com
Get response within 24 hrs



909.548.6688
Mon-Fri 9am-5pm PST/PDT



www.luxenhome.com/help
Submit a ticket on our website

Things to do to expedite the process

- Have your order# ready
- Take photos/videos to help us better identify the issues
- DO NOT throw away the packaging

Please save this manual for future reference.

Happy with our product?

Leave us a review

It really help us as a small business

- Find the product you purchased on our website (tip: search by SKU) and leave us a review.
- Alternatively, you can always return to the marketplace where you purchased it and leave a review there.

Share with others

Our customers look for REAL stuff



- Follow us on IG @luxen.home
- Share your #liveluxen moments



**Please save this manual
for future reference.**