

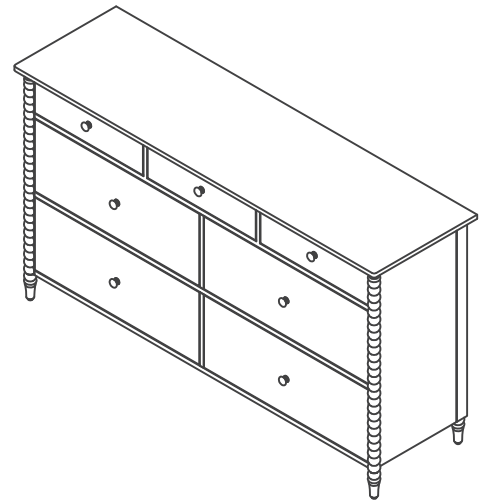
Dresser

IMPORTANT

Carefully remove all the parts from the carton and place them individually on a soft cloth to prevent scratches or other damage.

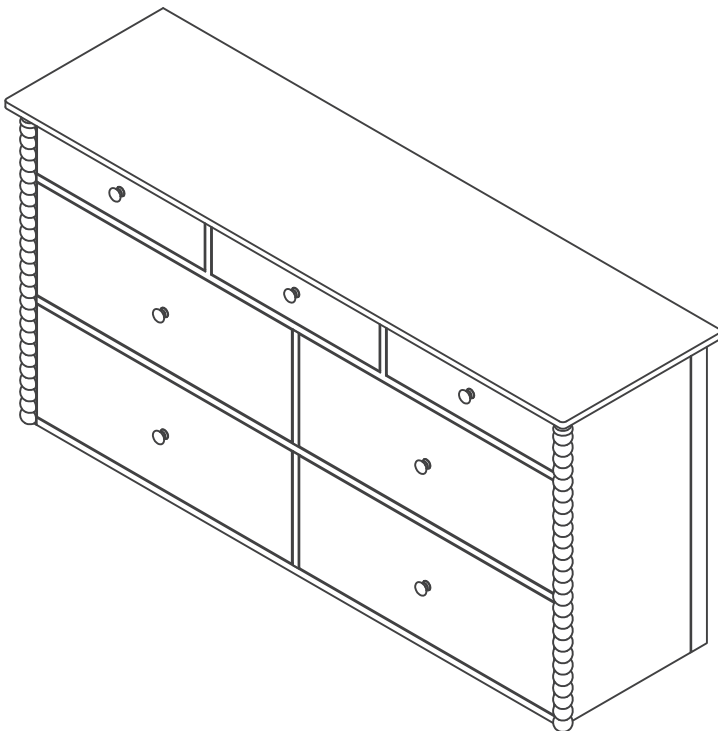
Carefully and strictly follow these assembly instructions to ensure a completed product as designed.

Do not use power tools above 8 volts to assemble.



Part List

A.
Unit
1 pc.



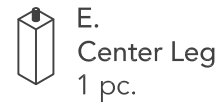
B.
Foot
2 pcs.



C.
Foot
1 pc.



D.
Foot
1 pc.



E.
Center Leg
1 pc.

Hardware List



M6x40
Head Cap Bolt
4 pcs. (+1 extra)



Flat Washer
4 pcs. (+1 extra)



Spring Washer
4 pcs. (+1 extra)



Hex Wrench
1 pc.



Small Hex Wrench
1 pc.



M4x25
1" Round Head Screw
4 pcs. (+1 extra)

Tool(s) required for assembly: Phillips screwdriver, Level, Pencil, Drill (8 volts or less), 3/8" Drill Bit

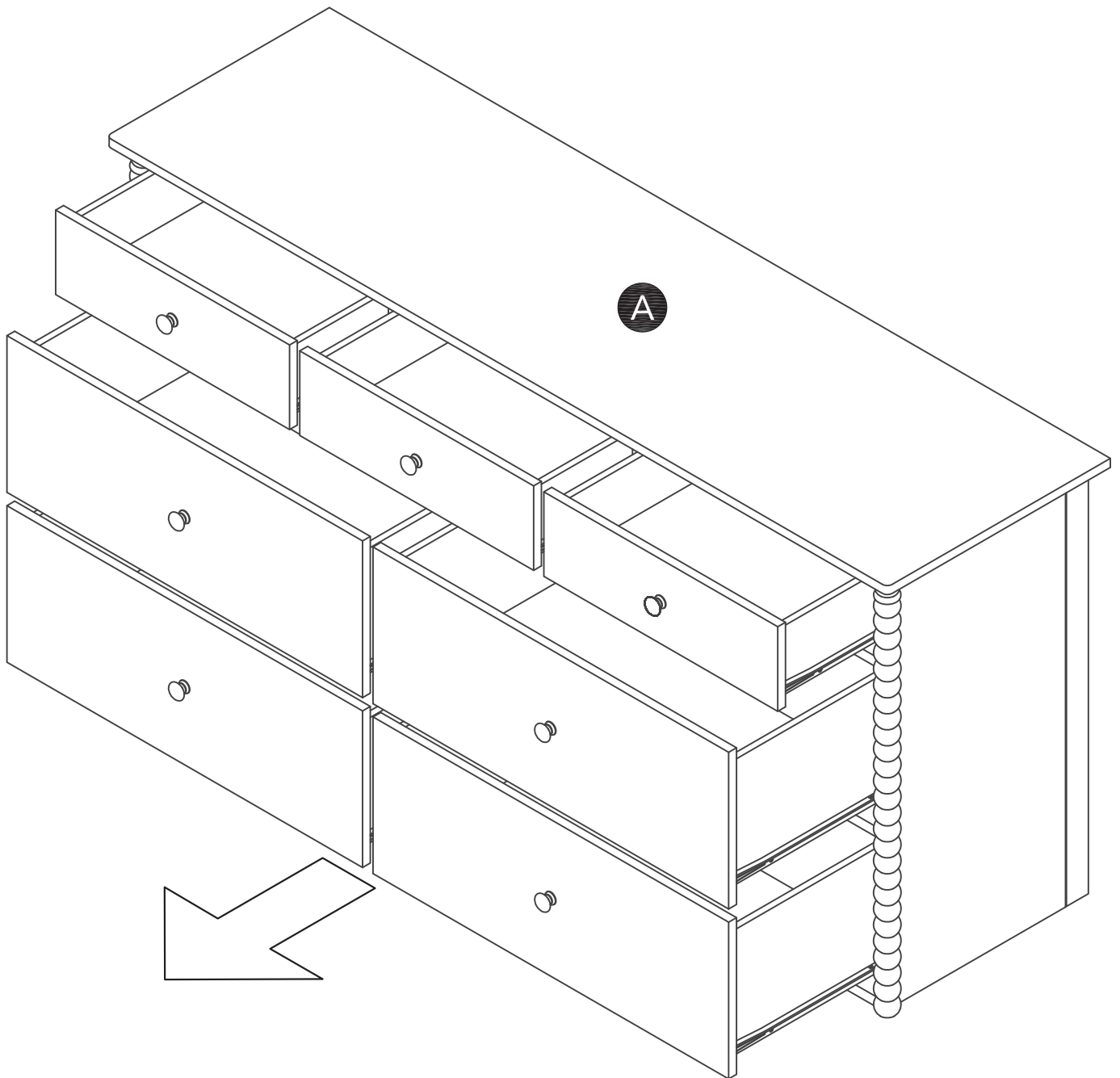
Assembly Instructions 2/6

IMPORTANT

- Use a soft cloth between these parts and the floor.
- Do not use power tools above 8 volts to assemble.
- Do not tighten all the screws until each part is properly assembled.
- The unit must be level to work properly. Use the included adjustable levelers to level.

STEP 1

Remove drawers from Unit (A).



STEP 2

Attach Feet (B) and Center Leg (E) to Unit (A), then tighten. (See Figure 1)

Attach Feet (C) and (D) to unit using Head Cap Bolts, Spring Washers, Flat Washers and 1" Round Head Screws.

Tighten Head Cap Bolts using Hex Wrench.
(See Figure 2)

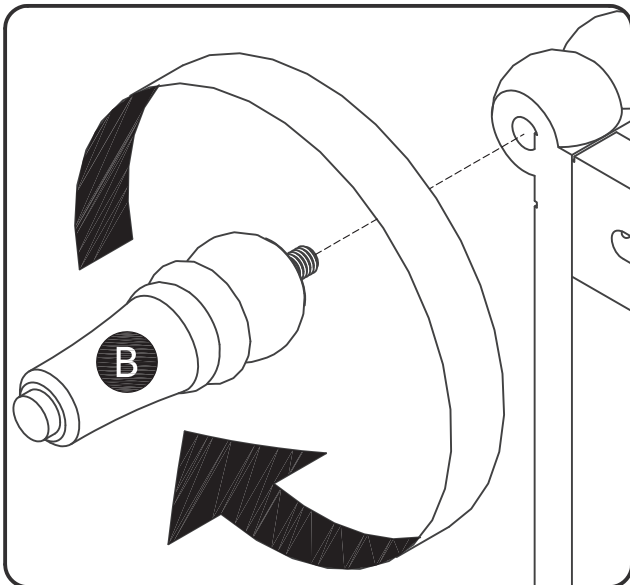
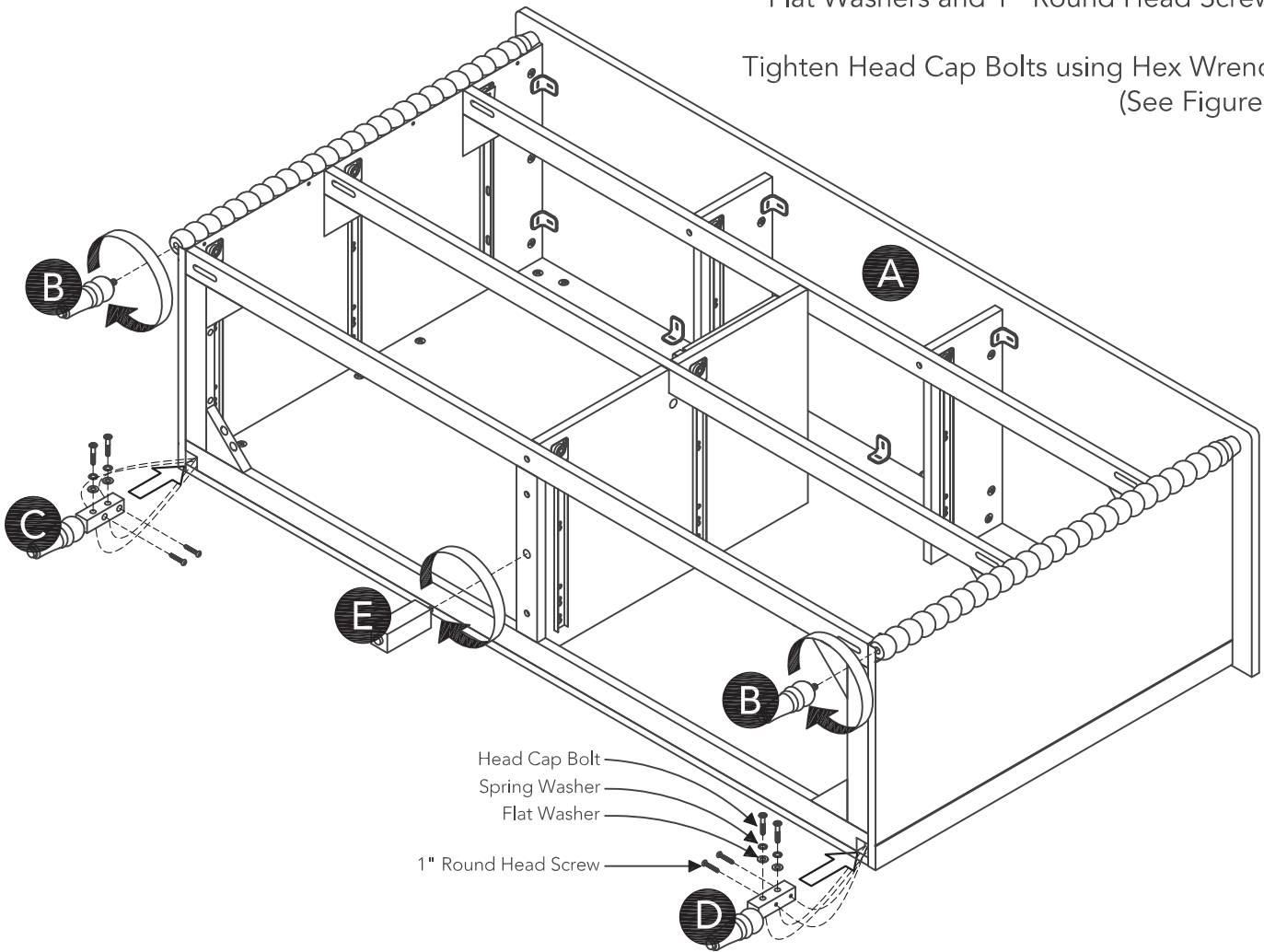


Figure 1

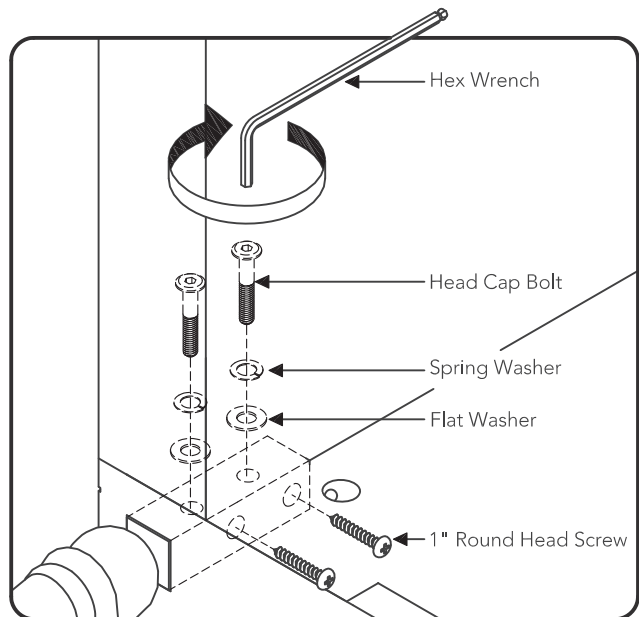


Figure 2

Assembly Instructions 4/6

STEP 3

Turn unit to its upright position.

Level unit by adjusting the adjustable levelers on bottom of unit.
(See Figure 3)

Note: Unit must be level to proceed.

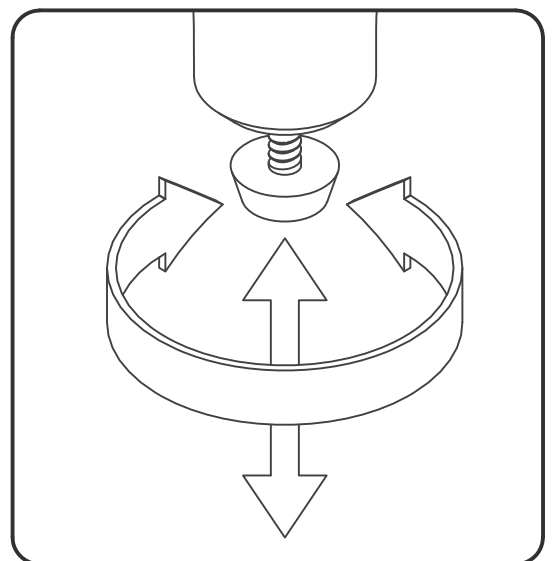
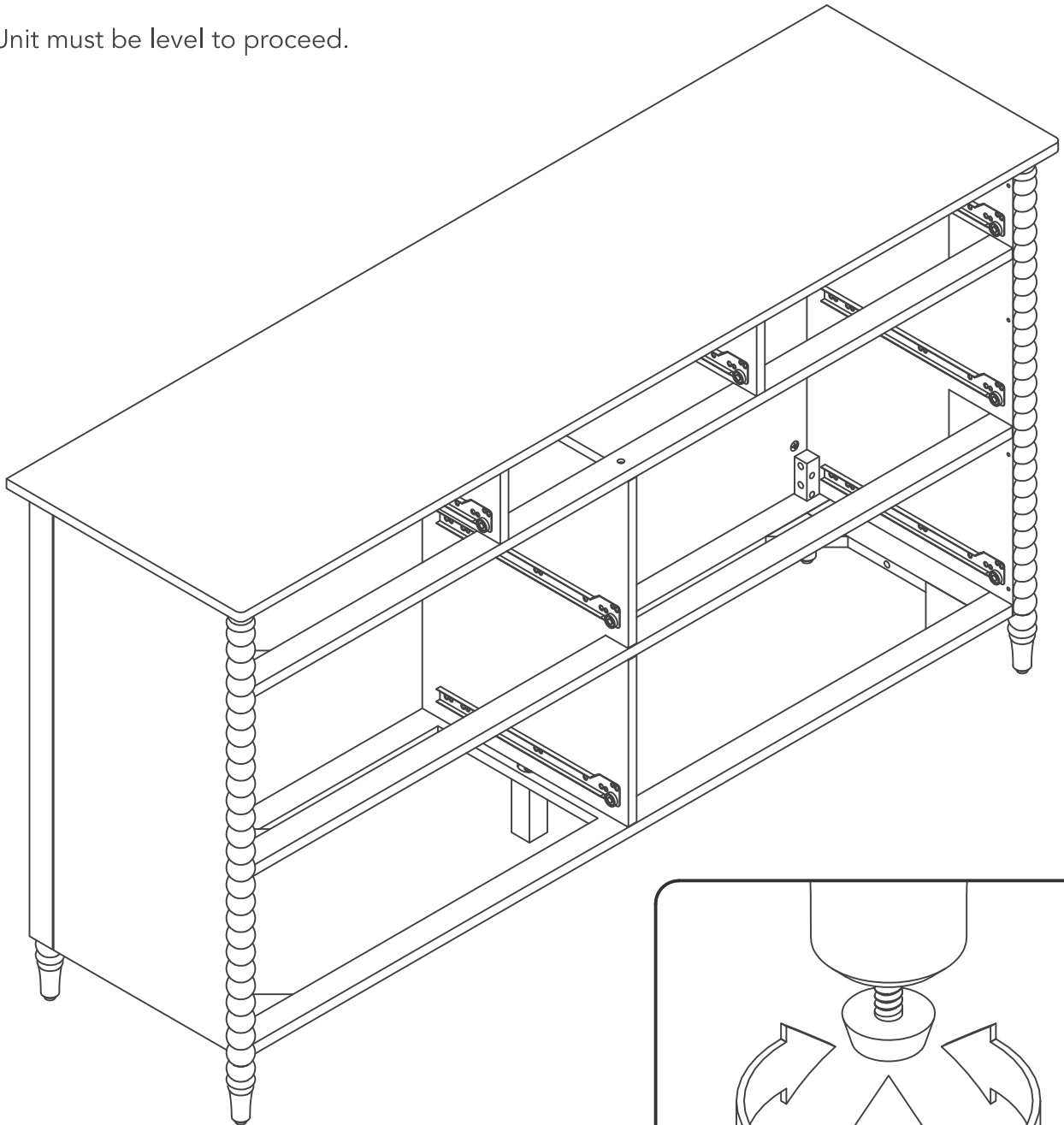


Figure 3

Assembly Instructions 5/6

IMPORTANT

- To help reduce the risk of the unit tipping over, the Tipover Restraint must be installed following these instructions exactly.

STEP 4

Place unit at desired location.

Mark wall with pencil just above and in-line with hole in Top (A). (See Figure 4)

Move unit.

Drill a 3/8" hole in wall 1 1/2" below mark.

Insert Anchor into the wall hole and attach Tipover Restraint to Anchor with 1 1/2" Round Head Screw and Flat Washer. (See Figure 5)

Move unit back into place and insert Tipover Restraint into unit through hole in Top (A). (See Figure 6)

Attach Tipover Restraint to unit with 1/2" Round Head Screw and Flat Washer. (See Figure 7)

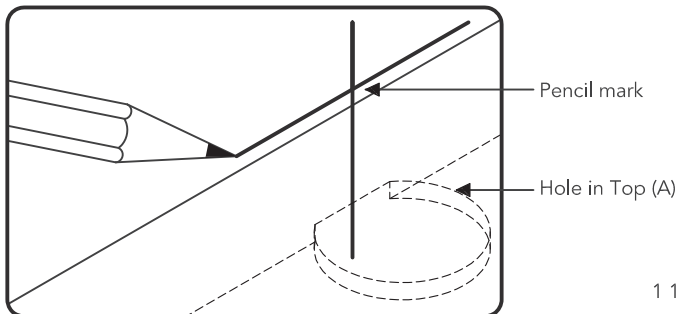
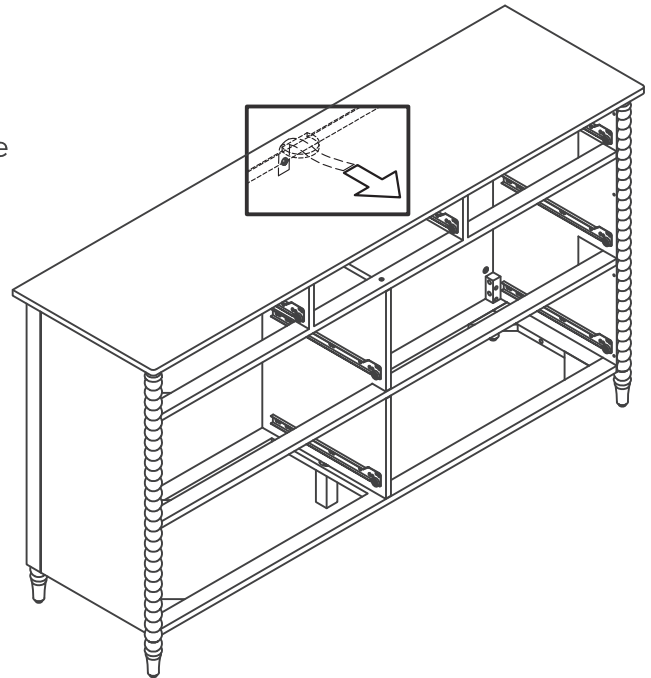


Figure 4

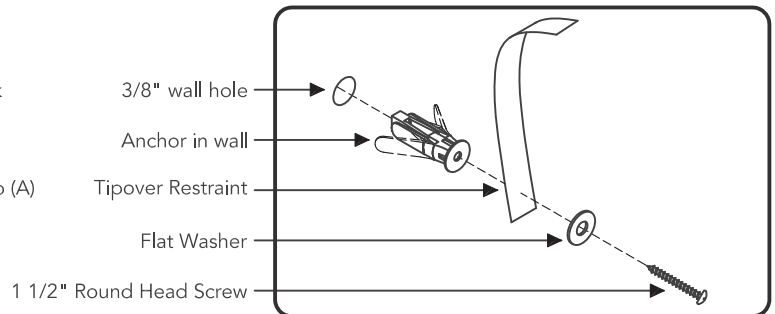


Figure 5

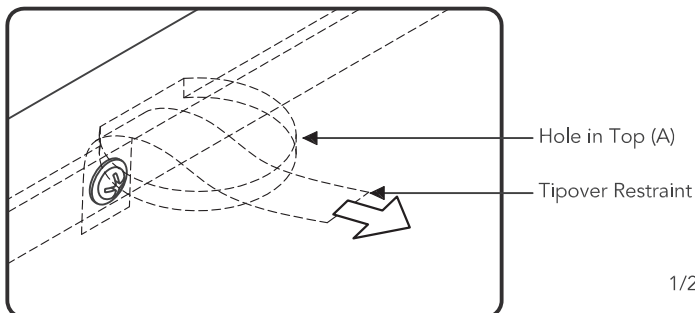


Figure 6

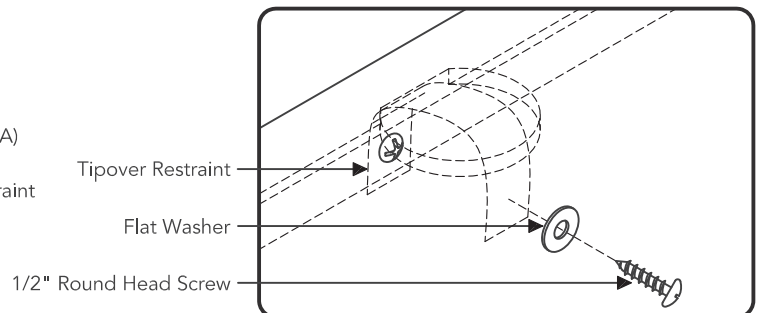


Figure 7

Hardware List



Tipover Restraint
1 pc.



Anchor
1 pc. (+1 extra)



M3x38
1 1/2" Round Head Screw
1 pc. (+1 extra)



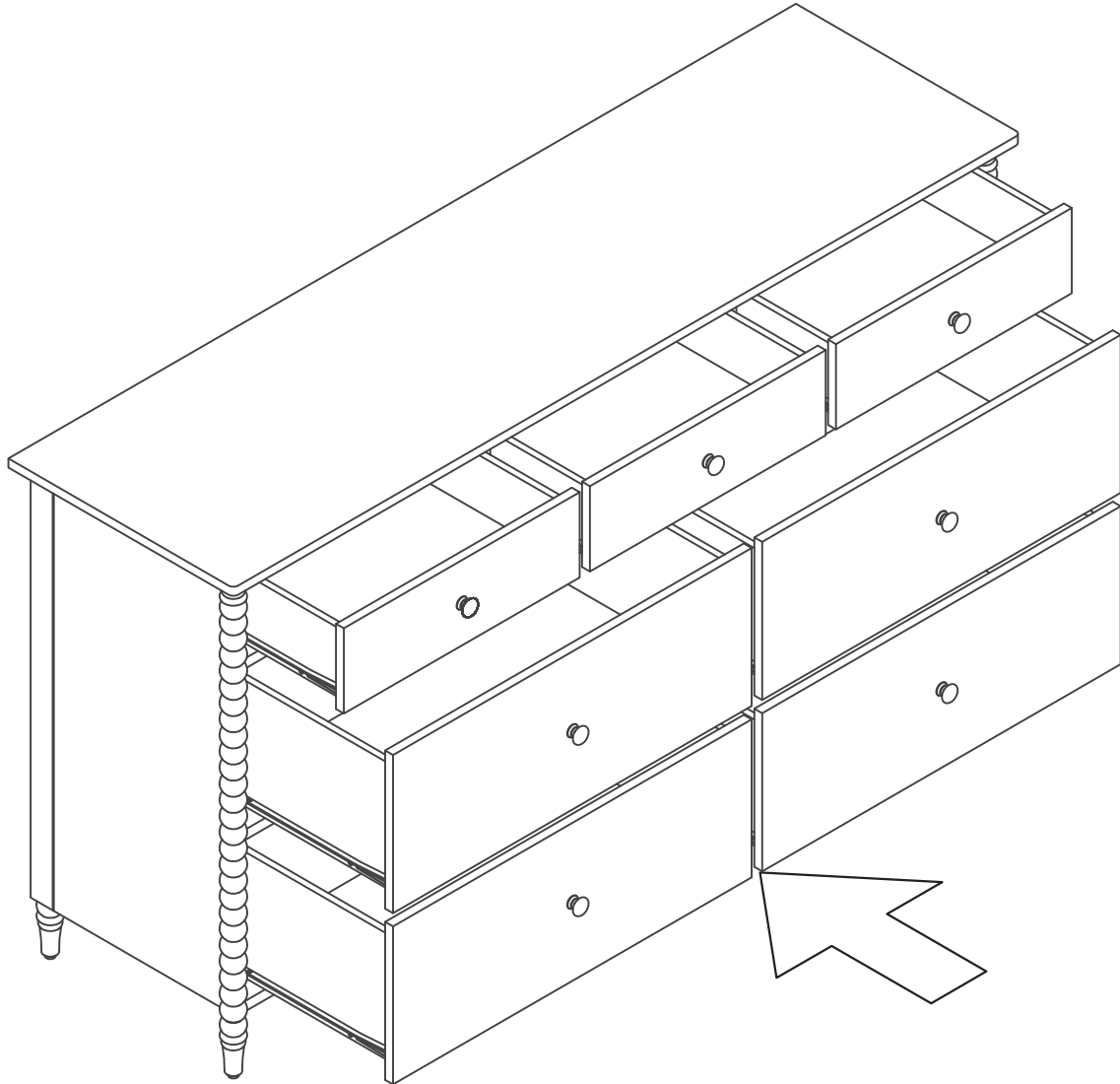
M3x13
1/2" Round Head Screw
1 pc. (+1 extra)



Flat Washer
2 pcs. (+1 extra)

STEP 5

Slide Drawers into position.



CARE INSTRUCTIONS

NEVER

allow liquids to remain on furniture.
Absorption causes parts to warp
and split and finishes to delaminate.

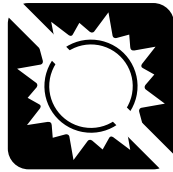
NEVER

use glass cleaners on
finished furniture. Ammonia
chemically attacks the finish.



Do not use power tools
above 8 volts to assemble.

**PREVENT
CRACKING**



Do not place
in direct sunlight.

**PREVENT
FADING**



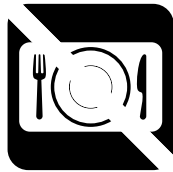
Do not write
directly on surface.

**PREVENT
MARKING**



Do not place hot
objects on surface.

**PREVENT
FINISH DAMAGE**



Do not use rubber
based placemats.

**PREVENT
DISCOLORING**



Do not use commercial
waxes and polishes.

**PREVENT
YELLOWING**

CLEAN

with a soft cloth moistened
in lukewarm soap and water.
Buff with a dry clean cloth.



We will provide replacements free of charge for missing or damaged parts within 30 days of purchase. Digital images of the defective parts may be required. If the product was not purchased from an authorized retailer,

is under no obligation to provide replacement parts. Parts are not available for fully assembled items nor are parts available for sale. Replacements for missing or damaged parts may be requested via contact info below.