

Instruction Manual 3

DOOR SIDEBOARD



CONTENTS

Safety and care advice	1
Components – parts	2
Assembly instructions	4
Copyright	16

⚠ SAFETY AND CARE ADVICE ⚠

PLEASE READ THESE INSTRUCTIONS CAREFULLY AND KEEP FOR FUTURE REFERENCE

Warning:

- Check you have all the components and tools listed on pages 2 and 3.
- Remove all fittings from the plastic bags and separate them into their groups.
- Keep children and animals away from the work area, small parts could choke if swallowed.
- Make sure you have enough space to layout the parts before starting.
- Do not stand or put weight on the product, this could cause damage.
- Assemble the item as close to its final position (in the same room) as possible.



- Assemble on a soft level surface to avoid damaging the unit or your floor (use opened out unit carton).
- We do not recommend the use of power drill/drivers **for inserting screws**, as this could damage the unit. Only use hand screwdrivers.
- Safety note:** If there is any chance of this unit being pulled over by children etc. it is recommended that the unit is secured to a wall using suitable fixings .
- Dispose of all packaging carefully and responsibly.

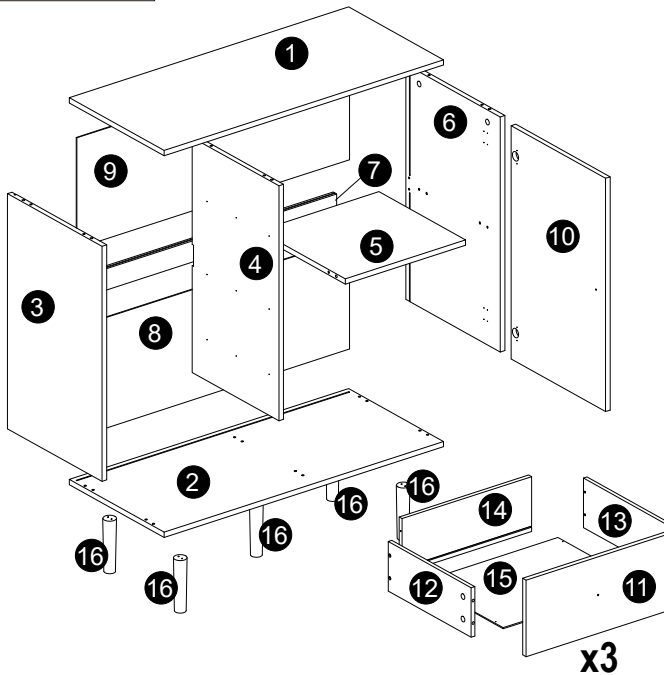
CARE AND MAINTENANCE

- Only clean using a damp cloth and mild detergent, do not use bleach or abrasive cleaners.
- From time to time check that there are no loose screws on this unit.
- This product should not be discarded with household waste. Take to your local authority waste disposal center.

Note: If required the next page can be cut out and used as reference throughout the assembly. Keep this page with these instructions for future reference

COMPONENTS

Ensure the following components are in the box before proceeding with assembly:



Parts List

1	Top Panel	x1	9	Upper Back Panel	x1
2	Base Panel	x1	10	Door Front Panel	x1
3	Left Side Panel	x1	11	Drawer Front Panel	x3
4	Middle panel	x1	12	Drawer Left Side Panel	x3
5	Shelf	x1	13	Drawer Right Side Panel	x3
6	Right Side Panel	x1	14	Drawer Back Panel	x3
7	Back Slat	x1	15	Drawer Bottom panel	x3
8	Lower Back Panel	x1	16	Leg	x5



COMPONENTS — FITTINGS

Please check you have all the fittings listed below:

A



Peg M6*35 mm x 26

B



Lock M15*12mm x 14

C



Lock M15*9mm x 12

D



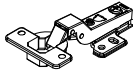
Dowel M6*30mm x 16

E



Screw M5*40mm x 7

F



Door Hinge x 2

G



Screw M4*12mm x 12

H



Screw M3*14mm x 12

I



Silicone crush pad x 2

J



Screw M3*12mm x 2

K



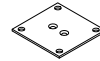
Plastic triangle back x 12

L



Screw M3.5*12mm x 36

M



Metal plates x 5

N



Screw M4*12mm x 21

O



Screw M4*30mm x 12

CR CL DR DL

x3 Drawer Runner



CR CL DR DL

P



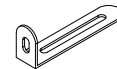
Handles x 4

Q



Screw M4*14mm x 4

R

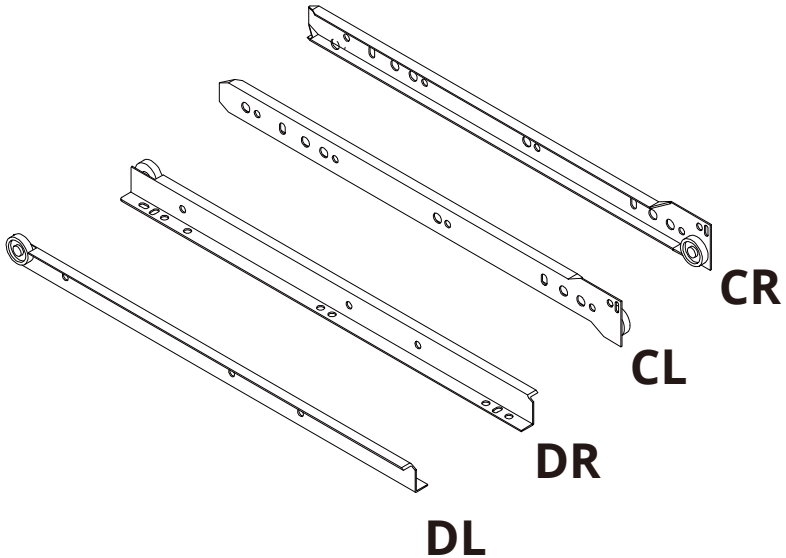


Anti topple device x 1



COMPONENTS — FITTINGS

⚠ IMPORTANT – Please read carefully.
1 pair of drawer runners includes 4 pieces.






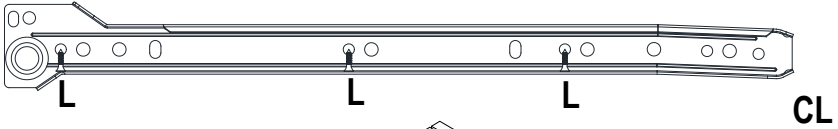
Fittings (not to scale)

No.	Description	Qty	
CR	Outer Drawer Runner - Right	3	
CL	Outer Drawer Runner - Left	3	
DR	Inner Drawer Runner - Right	3	
DL	Inner Drawer Runner - Left	3	

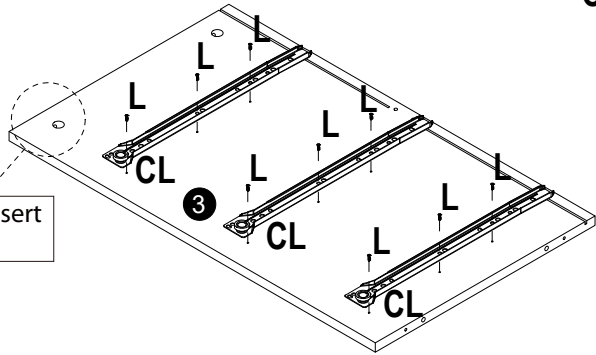
ASSEMBLY INSTRUCTIONS

Step 1

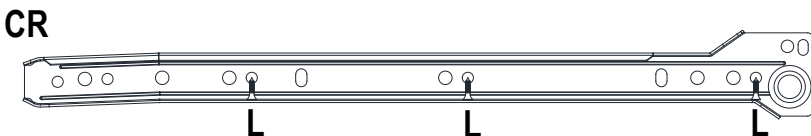
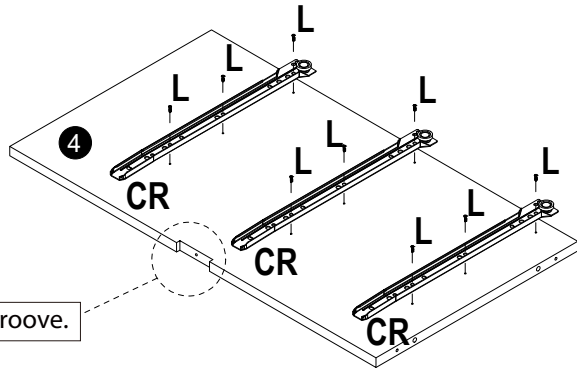
CL		3
CR		3
L		18



⚠ Note the place to insert the cam lock.



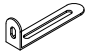


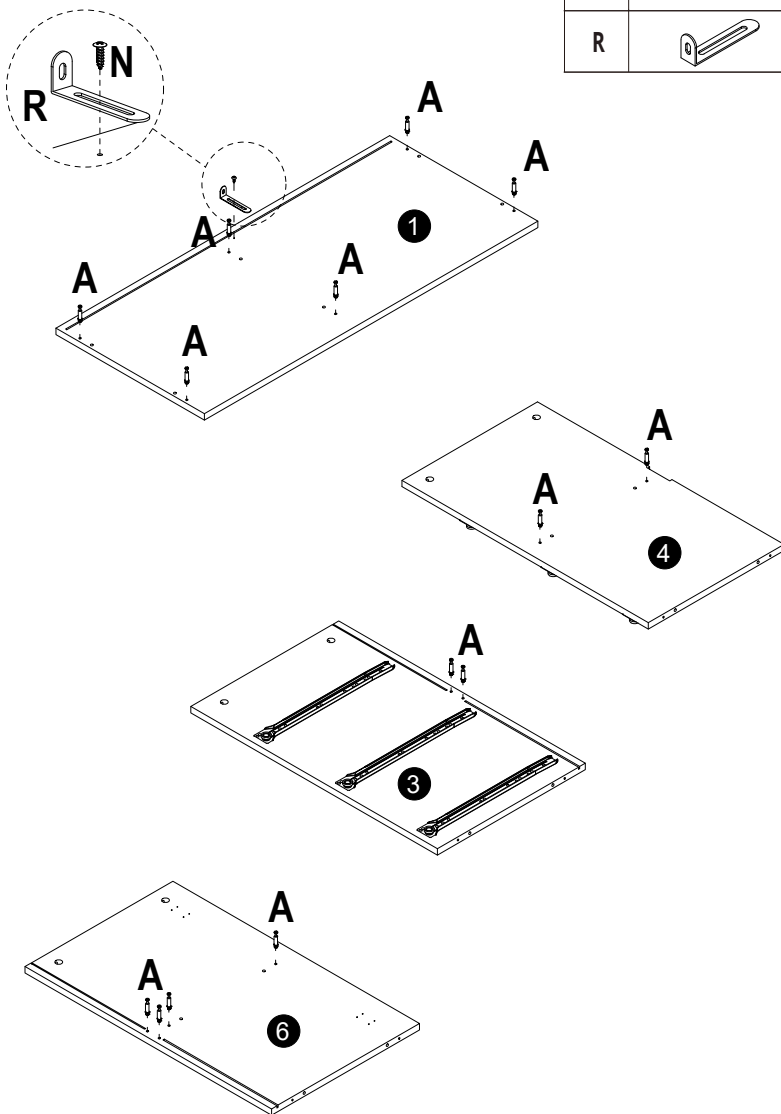
⚠ Note the place of groove.



ASSEMBLY INSTRUCTIONS

Step 2



A		14
N		1
R		1

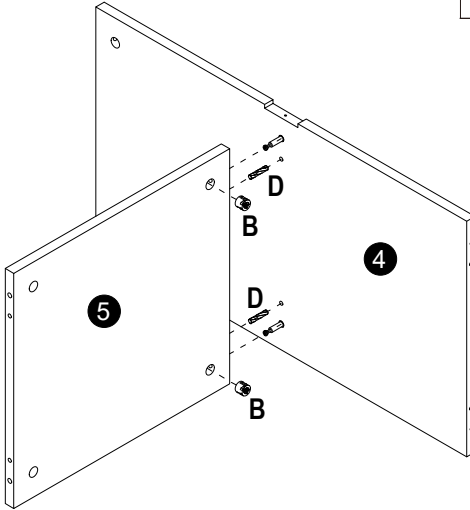


ASSEMBLY INSTRUCTIONS

Step 3

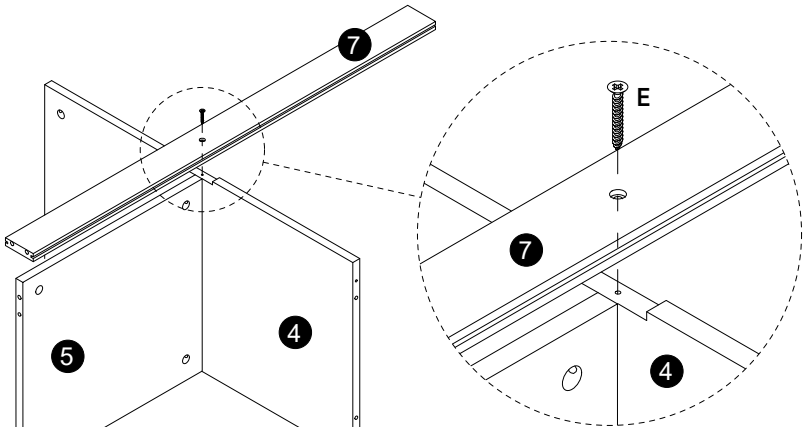
The cam lock needs to be inserted in the open position and tightened once the dowel has been inserted.

B		2
D		2



Step 4

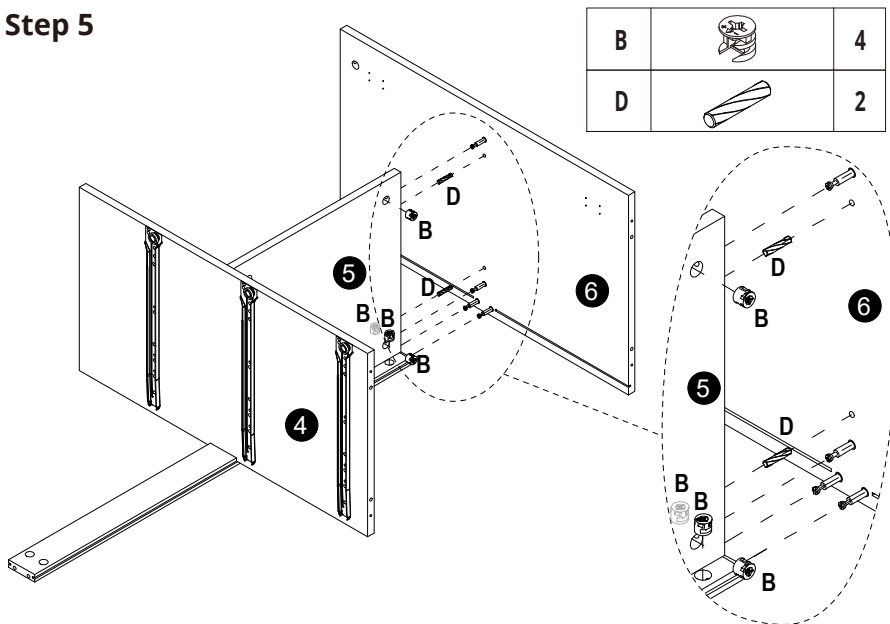
E		1
---	---	---



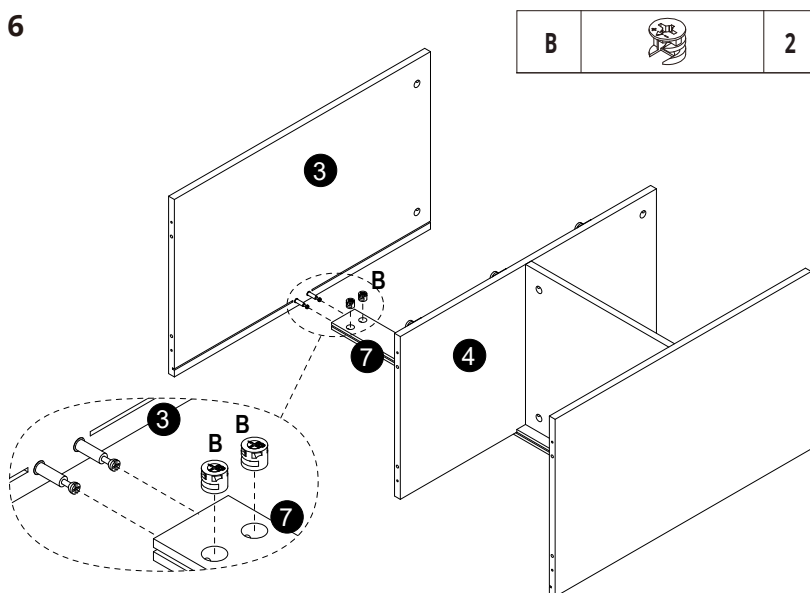
⚠ Note the place of groove.

ASSEMBLY INSTRUCTIONS

Step 5

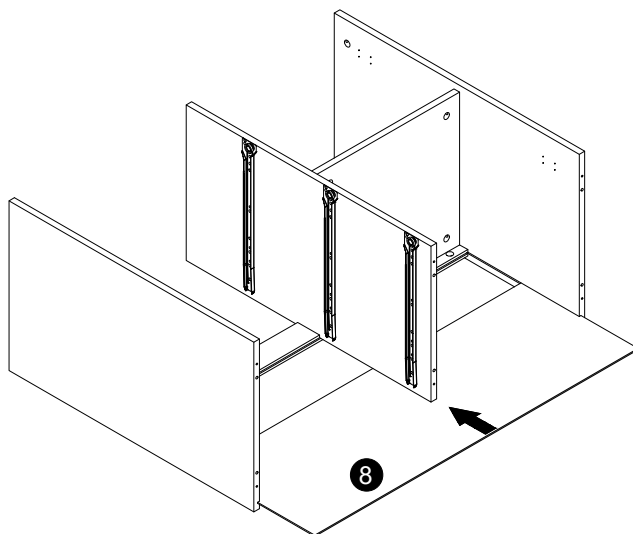


Step 6

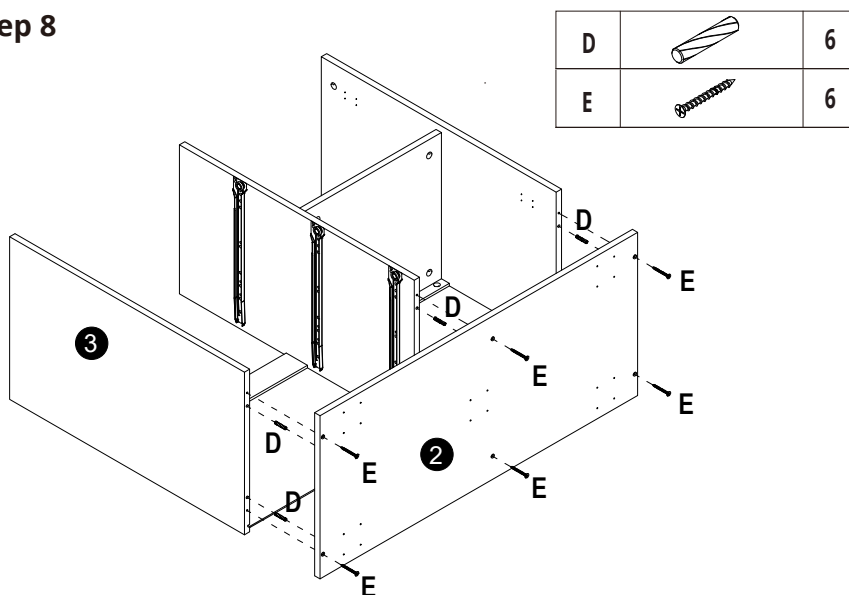


ASSEMBLY INSTRUCTIONS

Step 7




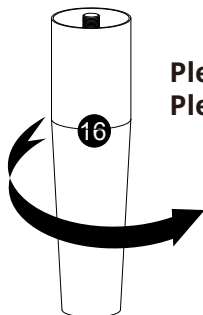
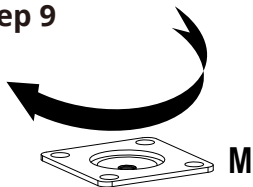
Step 8



ASSEMBLY INSTRUCTIONS

Step 9

M		5
---	---	---

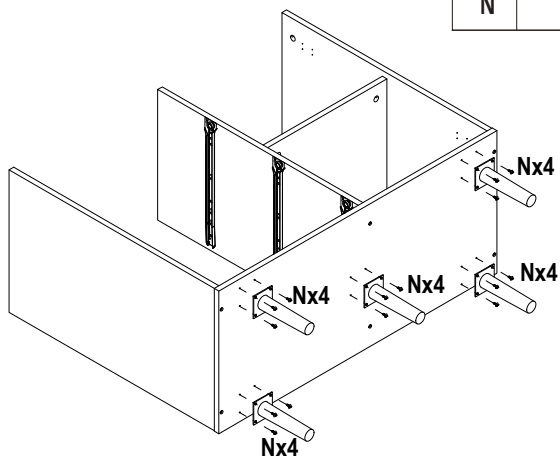


Please assemble on an even surface.
Please lift the product into position. Do not drag.

x5

Step 10

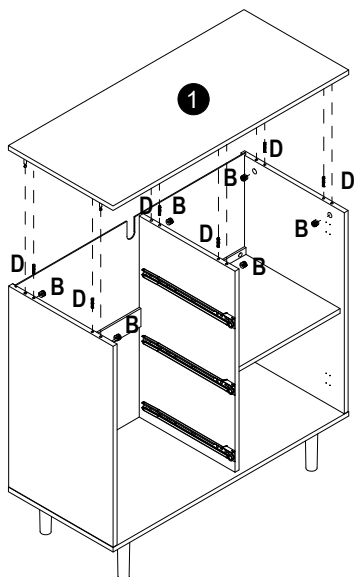
N		20
---	---	----





Please assemble on an even surface.
Please lift the product into position. Do not drag.

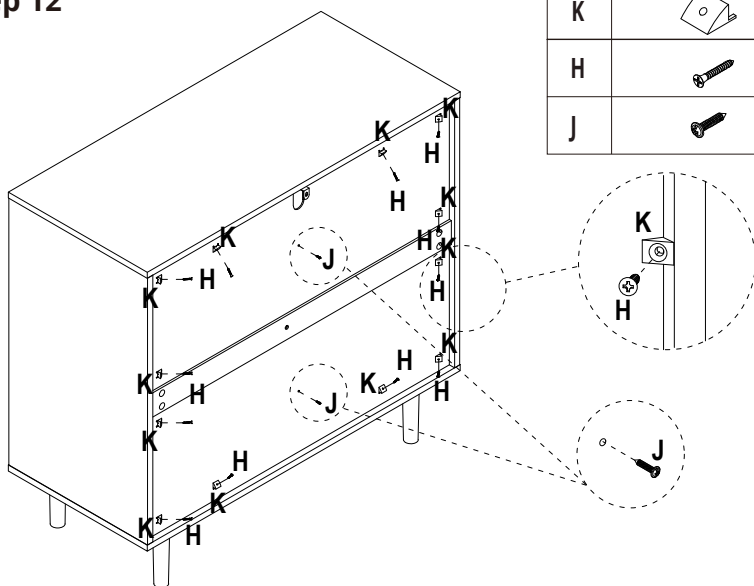
ASSEMBLY INSTRUCTIONS




Step 11



B		6
D		6

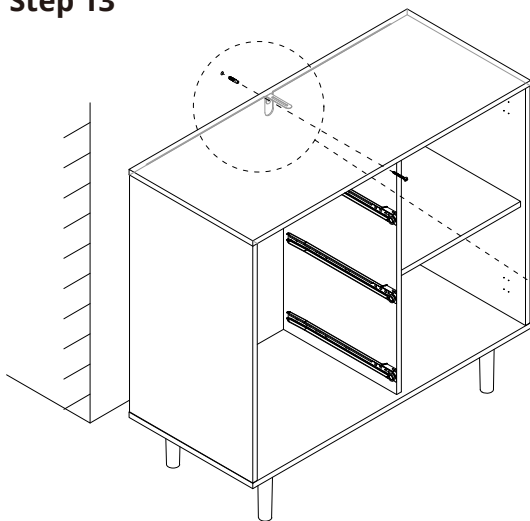
Step 12



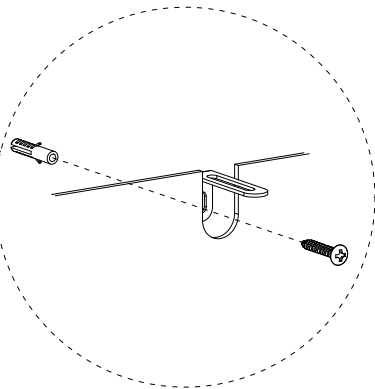
K		12
H		12
J		2

ASSEMBLY INSTRUCTIONS



Step 13

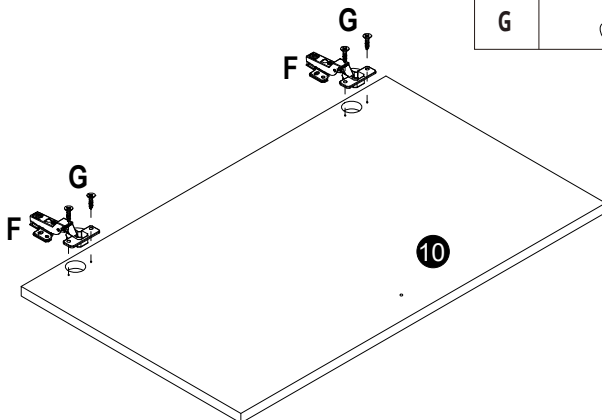


Wall plugs and screws are not provided. If you are in any doubt about the correct fixings for your wall, seek professional advice.



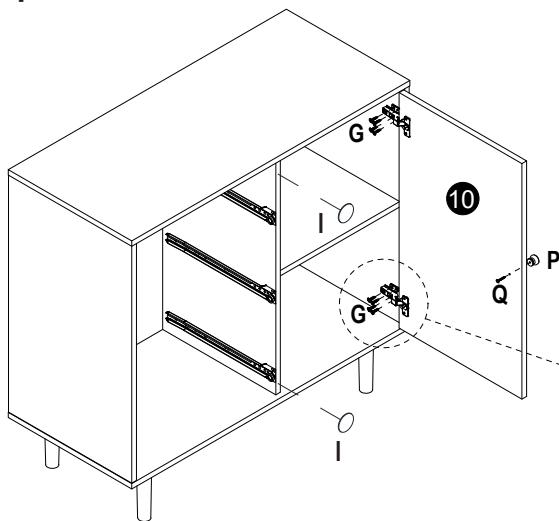
Step 14

F		2
G		4

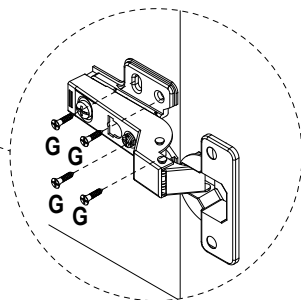


ASSEMBLY INSTRUCTIONS

Step 15

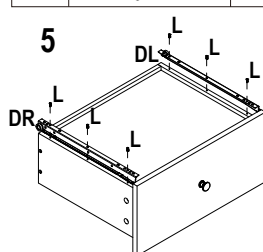
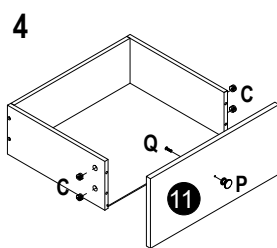
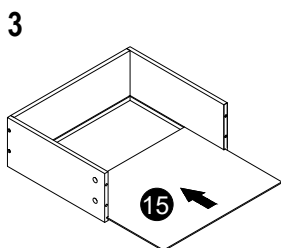
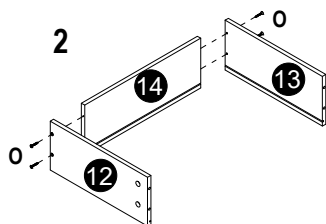
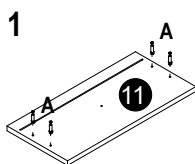


G		8
P		1
Q		1
I		2



Step 16

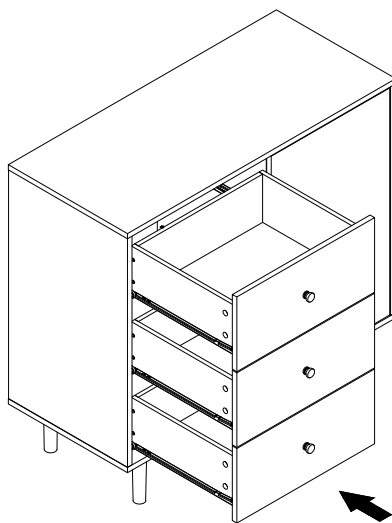
Please repeat this step for all 3 drawers.



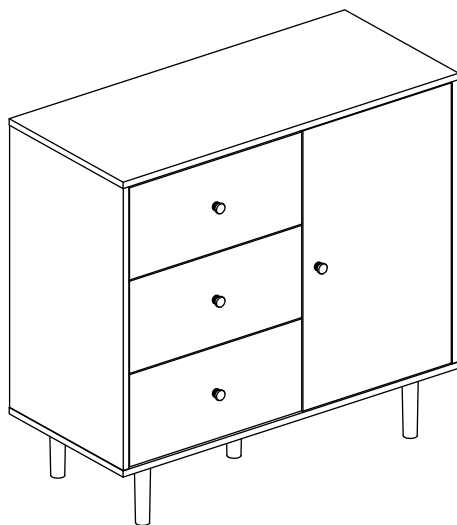
A		12
C		12
DL		3
DR		3
L		18
O		12
P		3
Q		3

ASSEMBLY INSTRUCTIONS

Step 17



Step 18

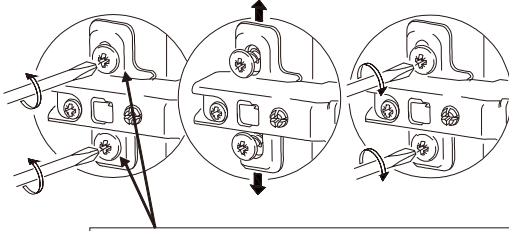
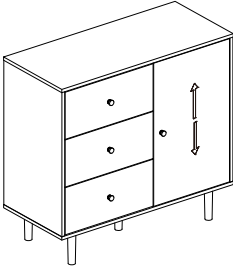


DOOR ALIGNMENT



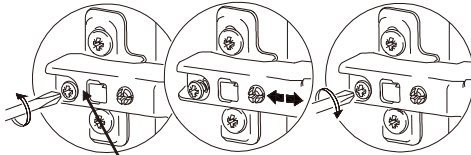
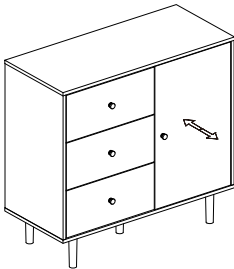
Customer Attention:

Doors may need adjusting during and after assembly to align and control gap in between doors. This can be done by adjusting the appropriate screws. See below illustration.



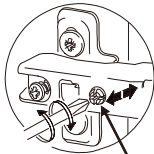
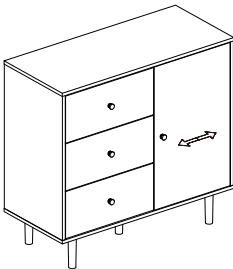
Vertical Door Adjustment:

Loosen both screws on all hinges and lift the door to the desired height. This allows an even space at the top and bottom of the door frame. Tighten the screws to secure when doors are at desired height.



Lateral Door Adjustment:

If door is rubbing on frame as you close or open it, loosen the screw shown and move the door in the appropriate direction (in or out). Tighten the screws to secure doors.



Horizontal Door Adjustment:

Rotate screws clockwise or anticlockwise. This will produce an even gap between doors and frame.

IF YOU FIND A DEFECTIVE PART

We fully stock all parts and components. Any defective part can be quickly replaced. Take note of the defective part number in manual and we will arrange a quick replacement.

COPYRIGHT

All material in this instruction manual is copyrighted .

Any unauthorised use may violate worldwide copyright, trademark and other laws.