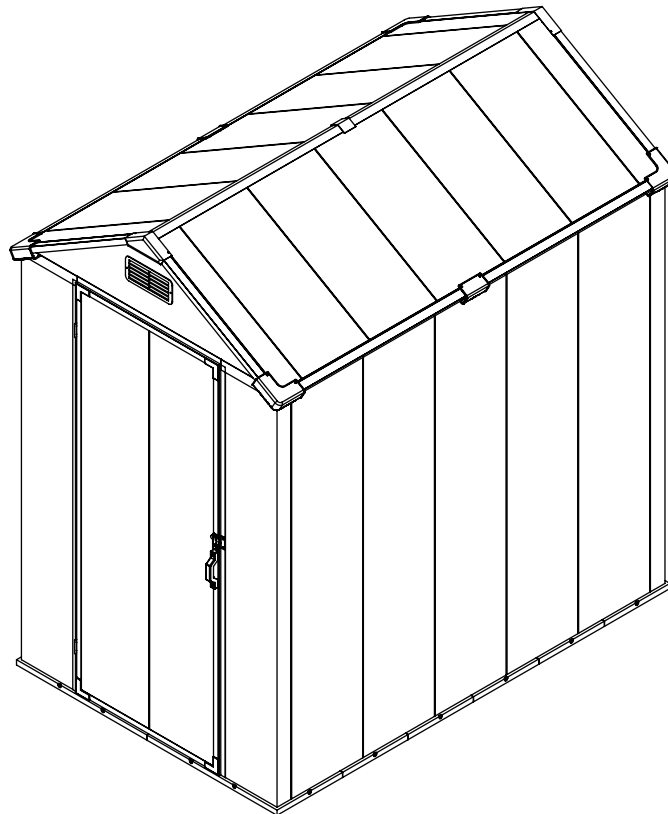


ASSEMBLY INSTRUCTIONS

METAL GARDEN SHED

4(W)X6(D) FT RESIN GARDEN SHED



EASYHAWKservice@outlook.com

Our team is available 24/7 to help with any product questions. Contact us anytime!

Recommended to wear gloves to avoid scratches.
Please read the instructions COMPLETELY before assembly.

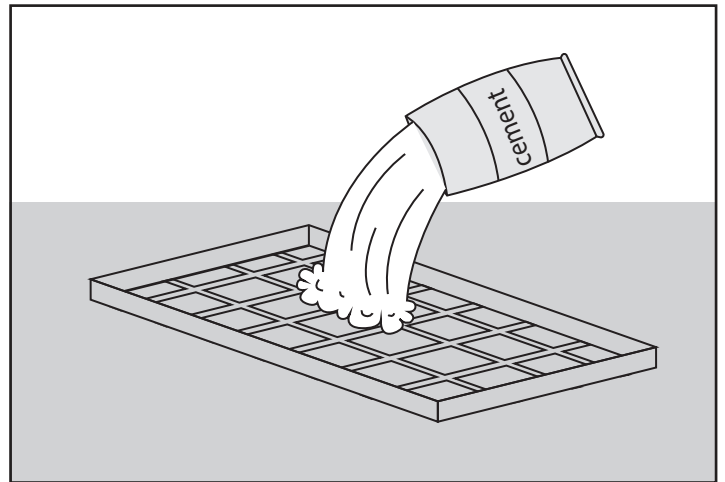
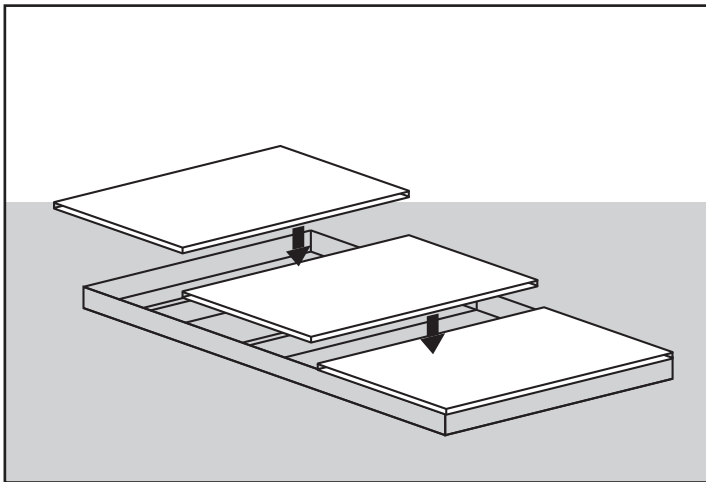
After opening the package, if you notice a slight deformation in the wall panels, there's no need for concern. Our material is flexible and can be manually bent back into place.

SITE PREPARATION

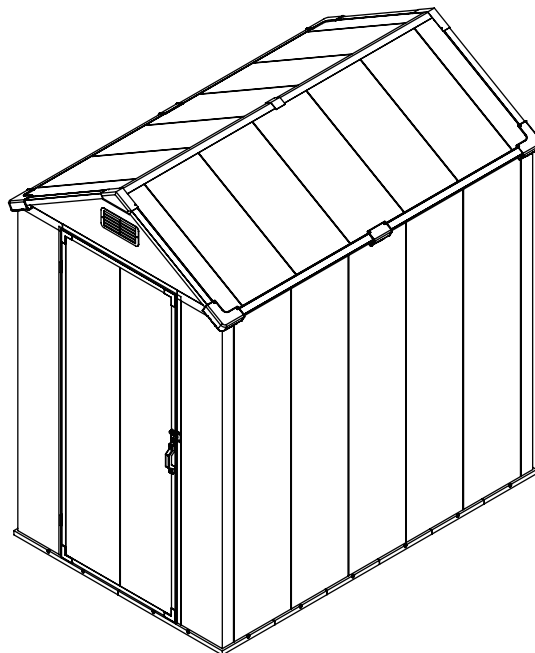
Level the ground surface.



Recommendation: Construct a wooden or concrete base as a foundation.



Before installation, please measure the ground with a tool and make sure the ground is level before installation.



BEFORE STARTING ASSEMBLY

Remove all of the pieces from packages and spread them out on the ground.

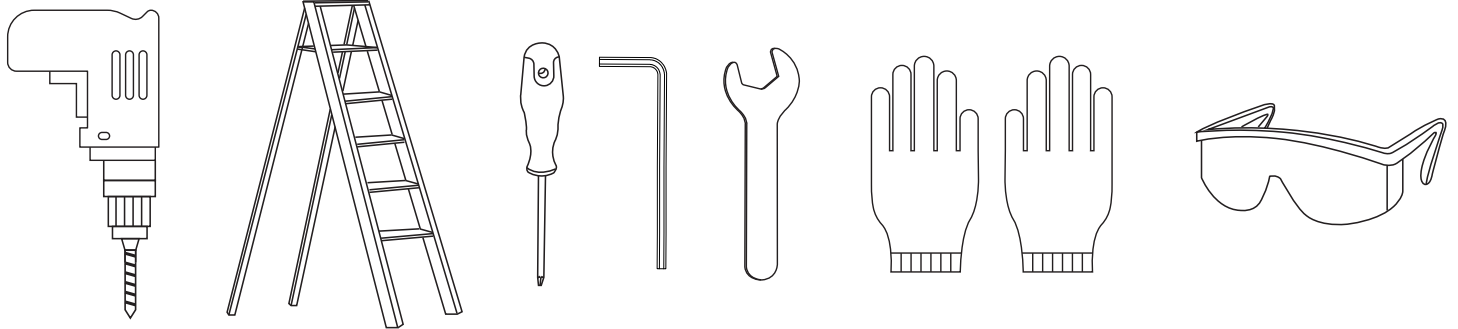
Before installation, please check the type and quantity of parts first.

It is recommended to use a clean work surface to spread the parts out and for pre-assembly steps. Review all instructions before you begin, continue to refer to instructions during assembly.

Be sure to follow all steps thoroughly.

Please prepare these components in advance at the beginning of each stage.

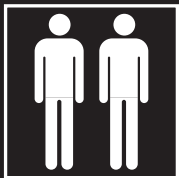
REQUIRED TOOLS



CAUTION

Some parts have steel edges. Please be careful when handling components.

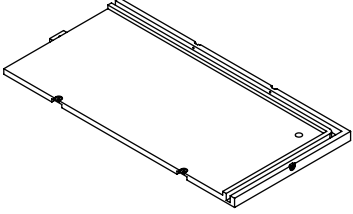
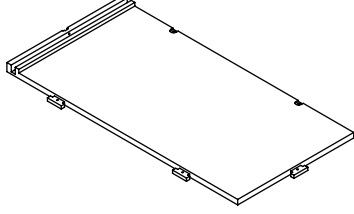
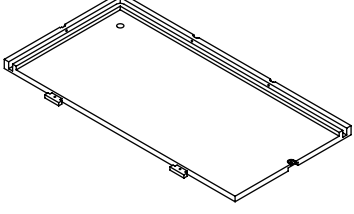
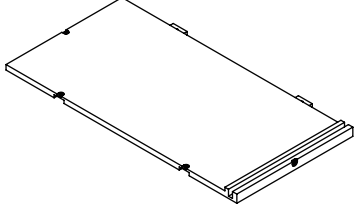
Always wear work gloves, eye protection and long sleeves when assembling or performing any maintenance on your shed. Do not attempt assembly on days with strong winds or low temperatures.



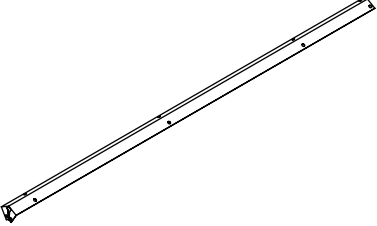
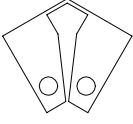
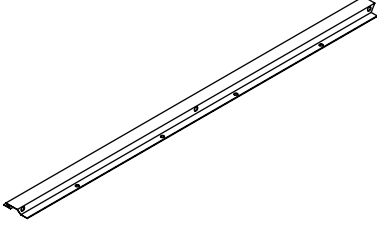
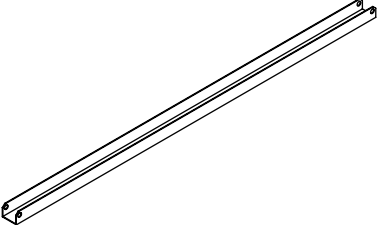
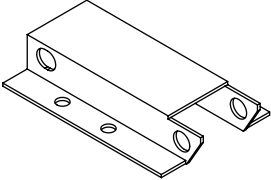
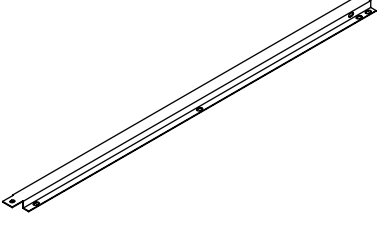

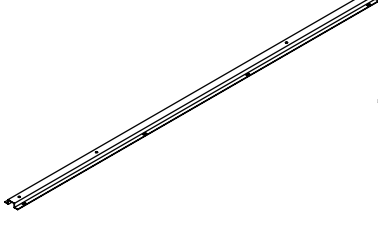

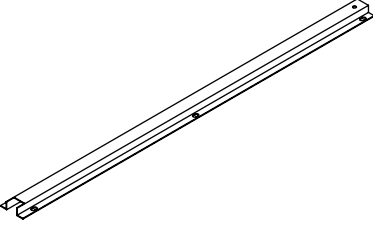

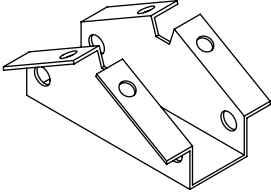
The installation requires multiple people to collaborate.
Recommended to wear gloves to avoid scratches.
Please read the manual carefully before installation.

DO NOT RETURN YOUR UNIT
TO THE STORE
Contact us first
saleservice@madepot.com

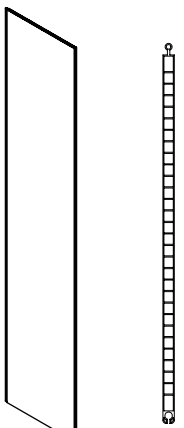
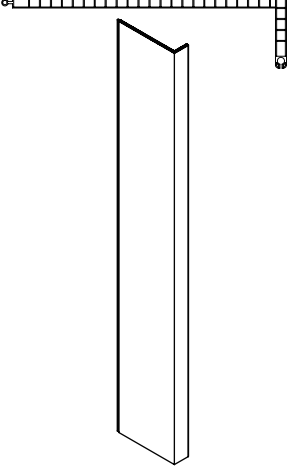
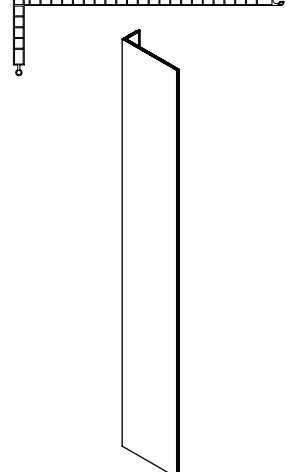
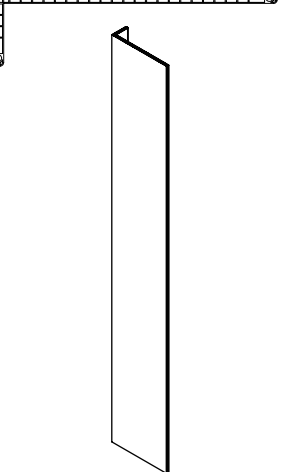
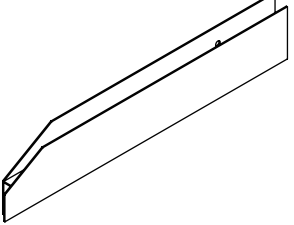
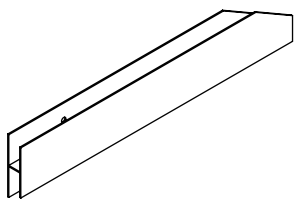
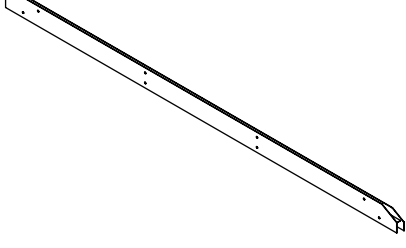
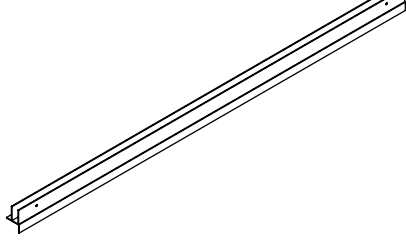
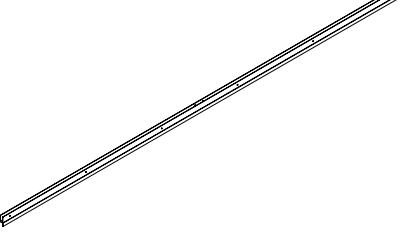
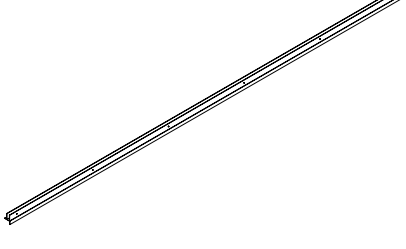
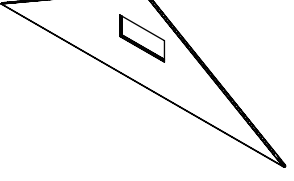
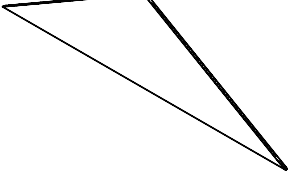
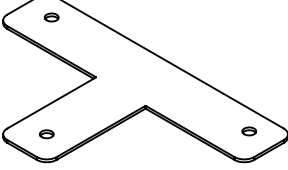
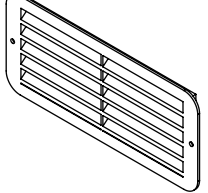
FLOOR PARTS

 <p>DB01 × 2</p>	 <p>DB02 × 4</p>
 <p>DB03 × 2</p>	 <p>DB04 × 4</p>

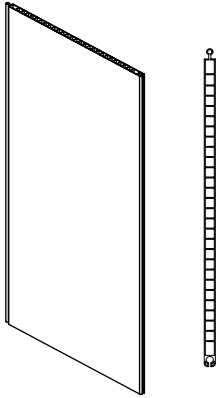
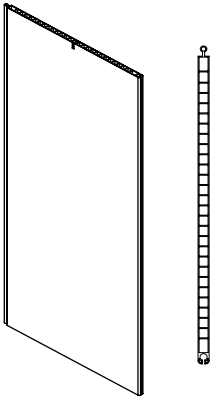
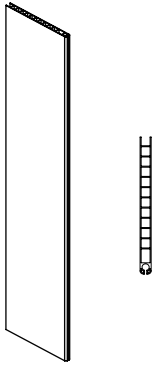
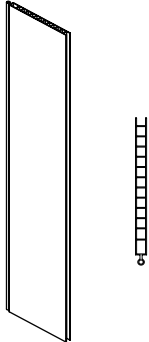
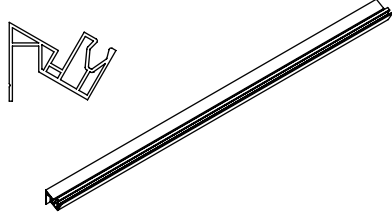
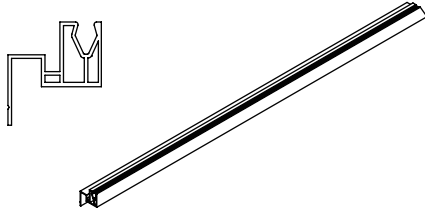
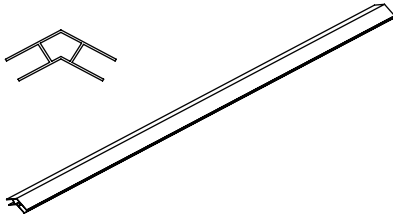
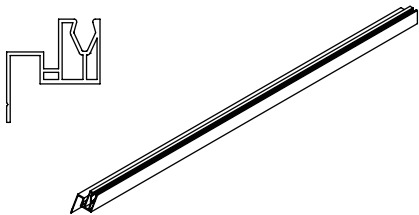
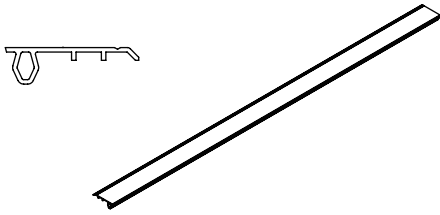
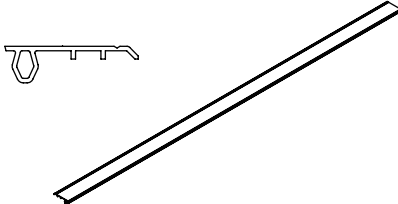
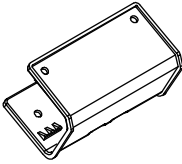
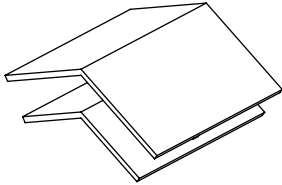
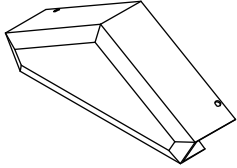
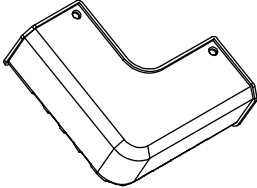
FRAME PARTS

  <p>JCV1 × 2</p>	 <p>JCA1 × 2</p>
 <p>JCU1 × 1</p>	 <p>JCE1 × 2</p>
  <p>JCB1 × 2</p>	  <p>JCD1 × 3</p>
  <p>JCC1 × 2</p>	 <p>JCF3 × 1</p>

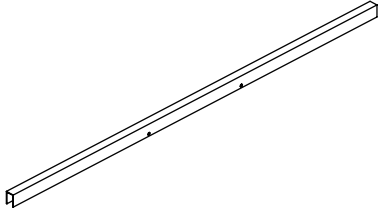
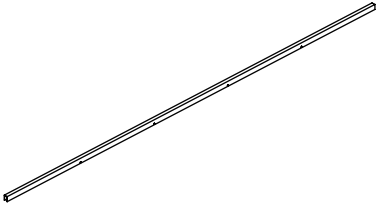
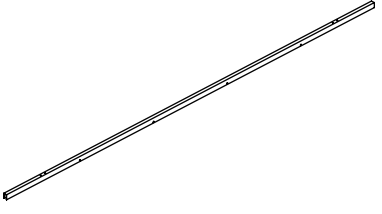
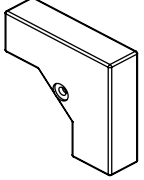


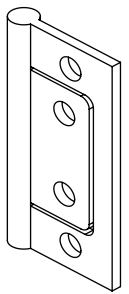
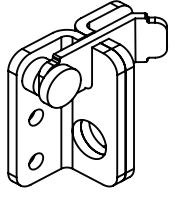
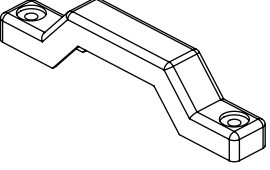
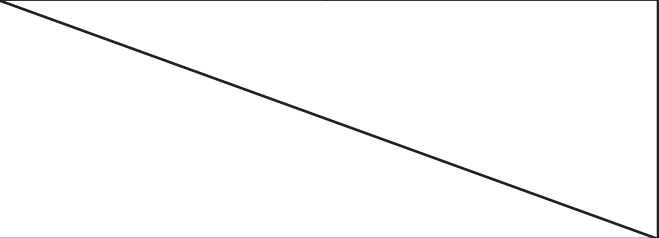
WALL PARTS

 <p>QB01 × 12</p>	 <p>QB02 × 1</p>	 <p>QB03 × 2</p>	 <p>QB06 × 1</p>
 <p>AL01 × 1</p>	 <p>AL02 × 1</p>		
 <p>AL03 × 1</p>	 <p>AL07 × 1</p>		
 <p>AL08 × 1</p>	 <p>AL09 × 1</p>		
 <p>QB04 × 1</p>	 <p>QB05 × 1</p>	 <p>JCT1 × 2</p>	 <p>SJGF × 1</p>


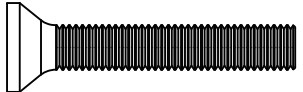
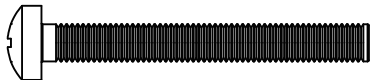
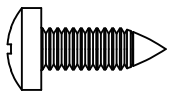

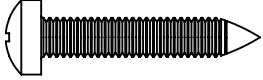
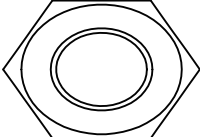
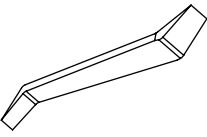
ROOF PARTS

 <p>GB01 × 8</p>	 <p>GB02 × 2</p>	 <p>GB03 × 2</p>	 <p>GB04 × 2</p>
 <p>JS01 × 4</p>	 <p>JS02 × 2</p>		
 <p>JS03 × 2</p>	 <p>JS04 × 2</p>		
 <p>JS05 × 4</p>	 <p>JS06 × 4</p>		
 <p>SJTJ × 2</p>	 <p>SJTC × 1</p>		
 <p>SJRC × 2</p>	 <p>SJEC × 4</p>		

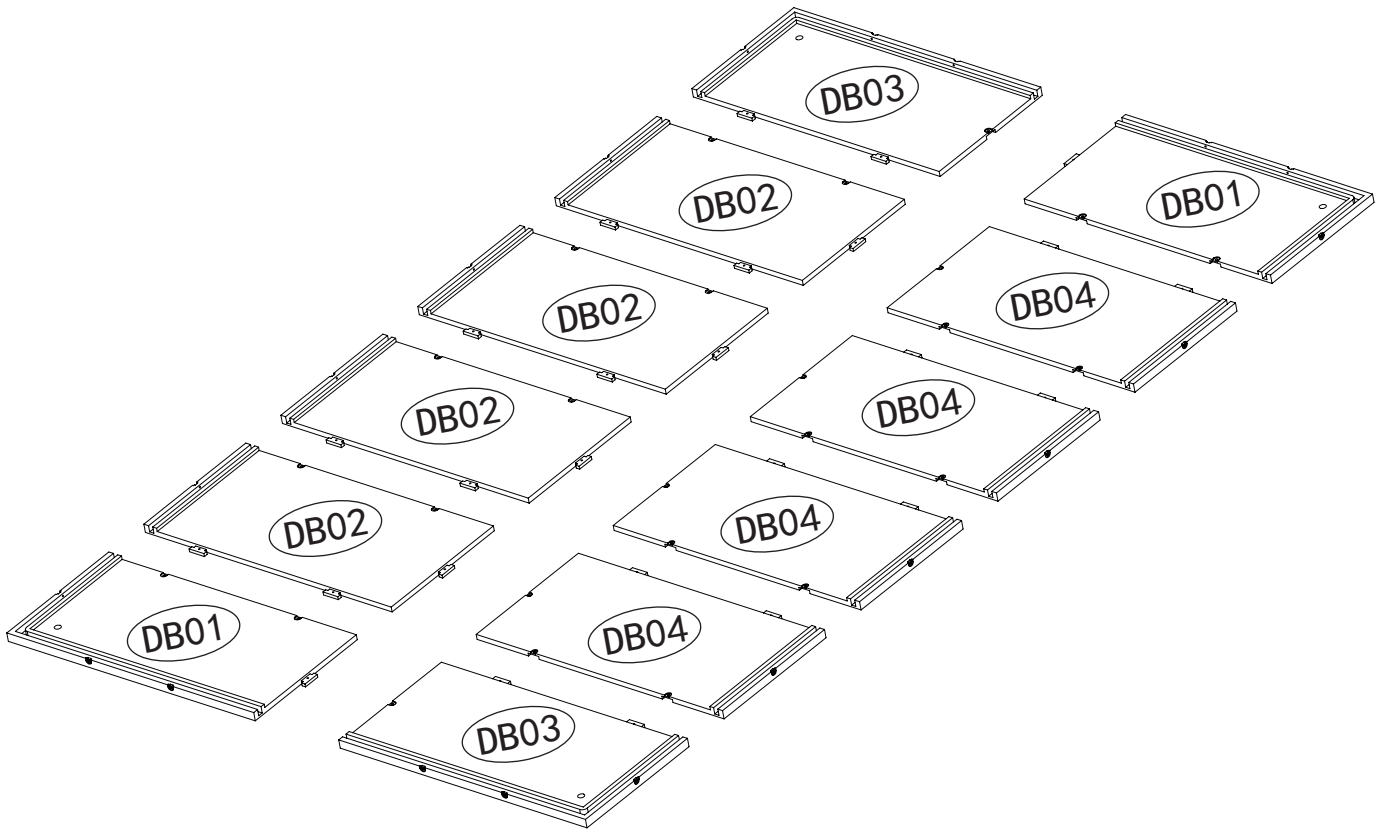
DOOR PARTS

 <p>AL04×2</p>		 <p>AL05×1</p>	
 <p>AL06×1</p>		 <p>SJDC×4</p>	
 <p>MB01×1</p>	 <p>MB02×1</p>	 <p>WJDH×2</p>	 <p>WJDL×1</p>
 <p>D1-3×1</p>			

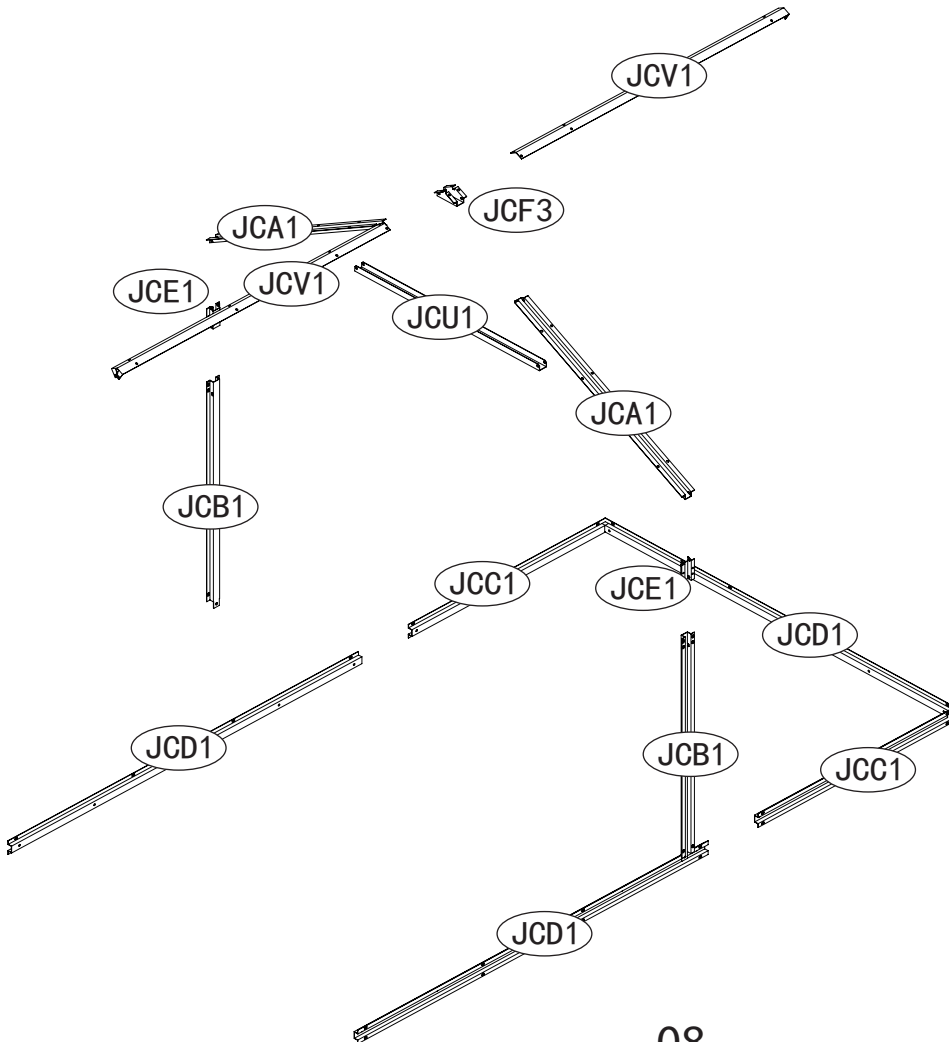
SCREW

 <p>F1×236</p>	 <p>F2×8</p>	 <p>F8×8</p>
 <p>F11×26</p>	 <p>F9×18</p>	 <p>F10×4</p>
 <p>M4×16</p>		

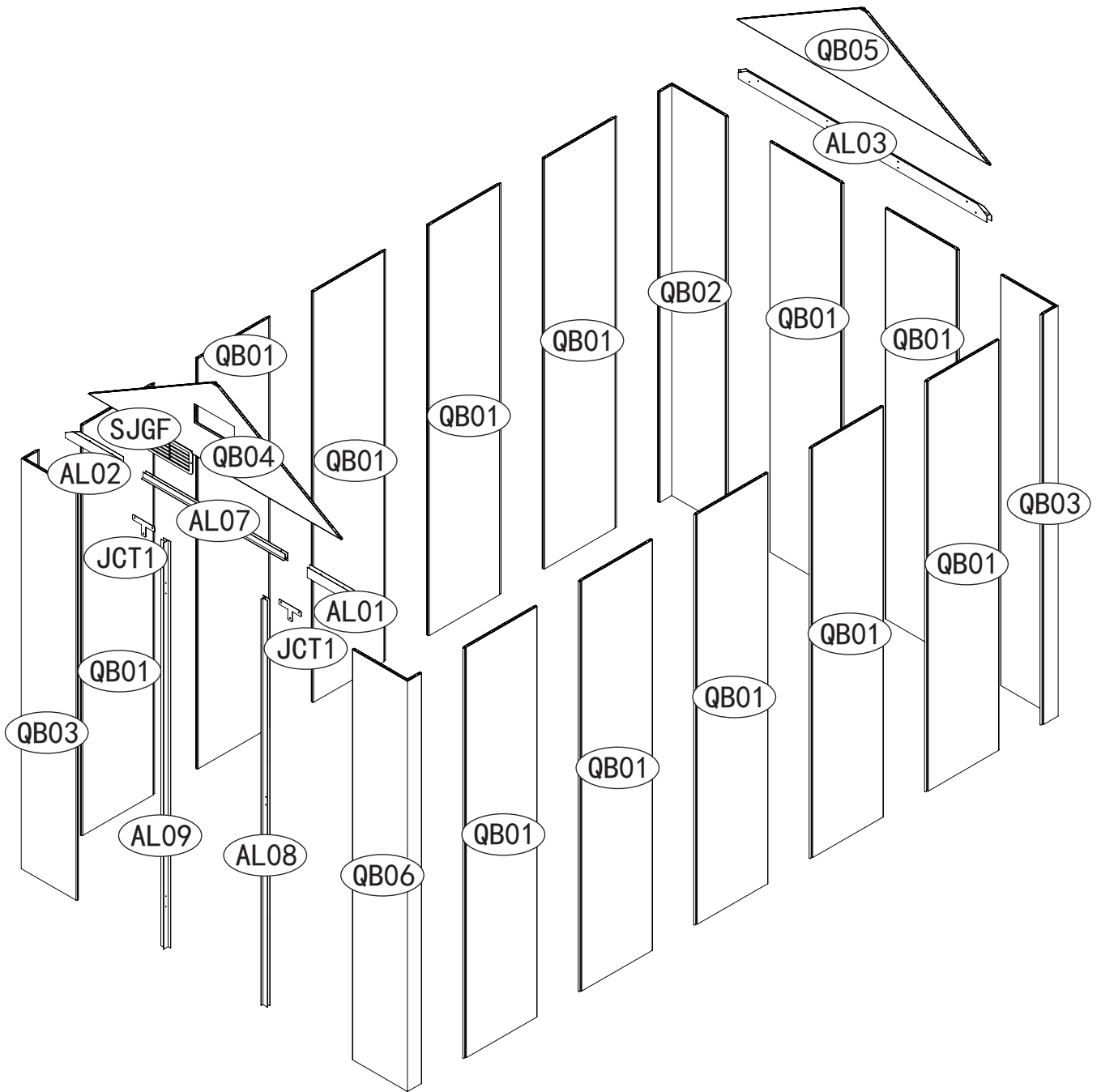
FLOOR PARTS MOUNTING LOCATIONS



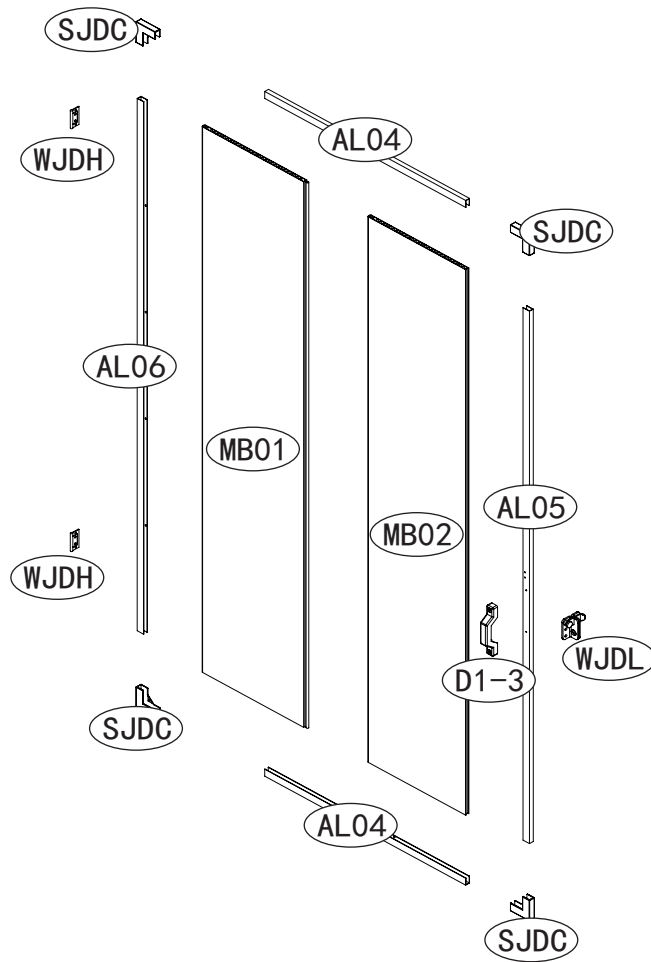
FRAME PARTS MOUNTING LOCATIONS



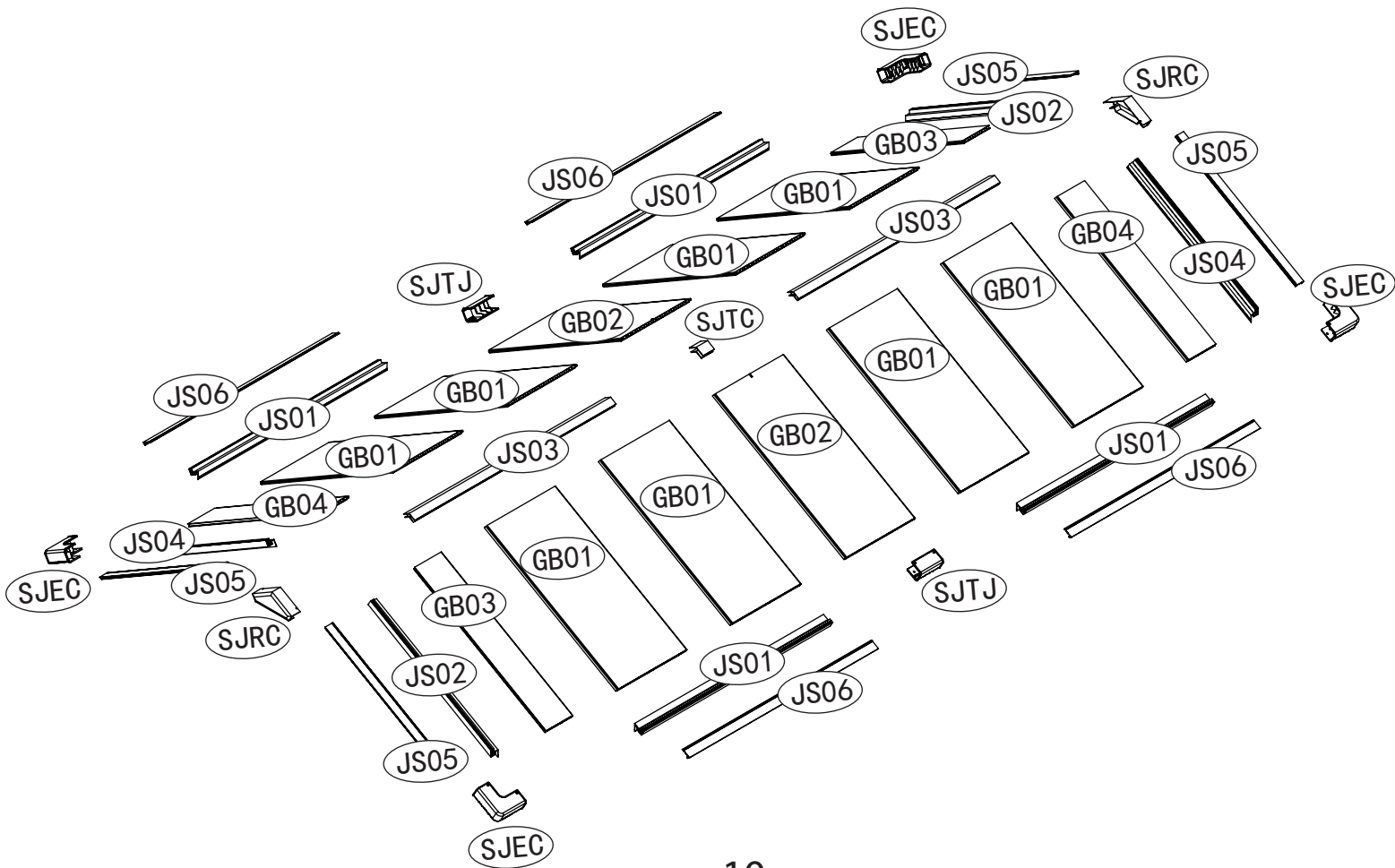
WALL PARTS MOUNTING LOCATIONS



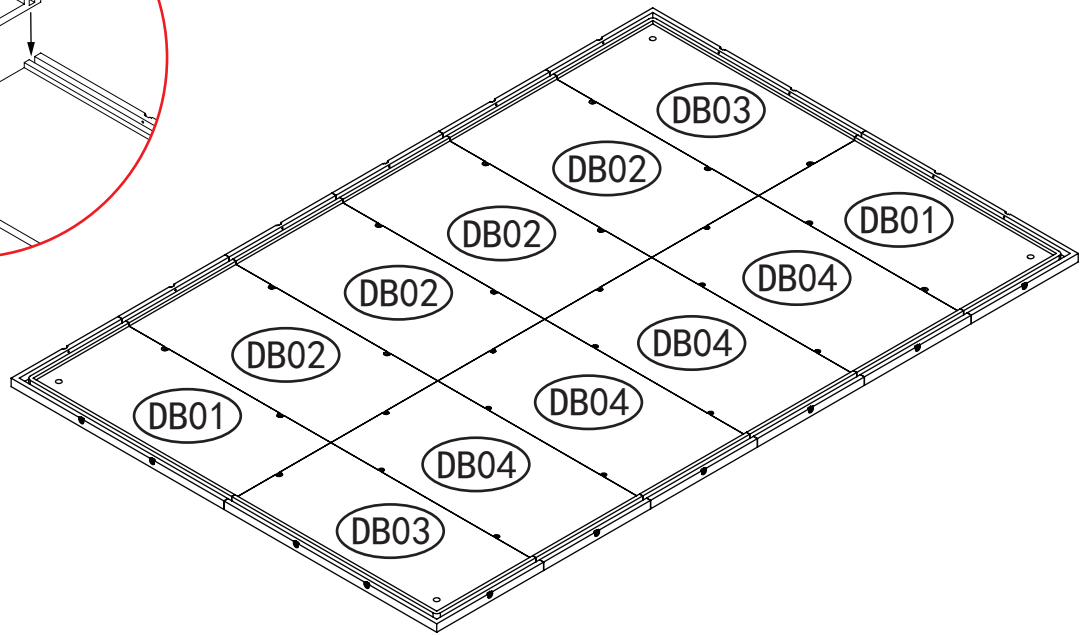
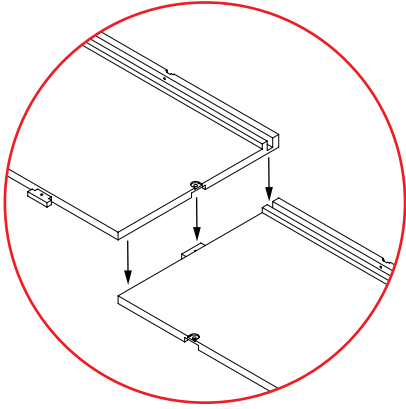
DOOR PARTS MOUNTING LOCATIONS



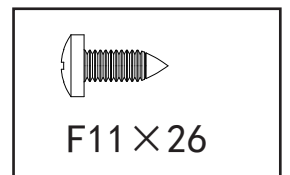
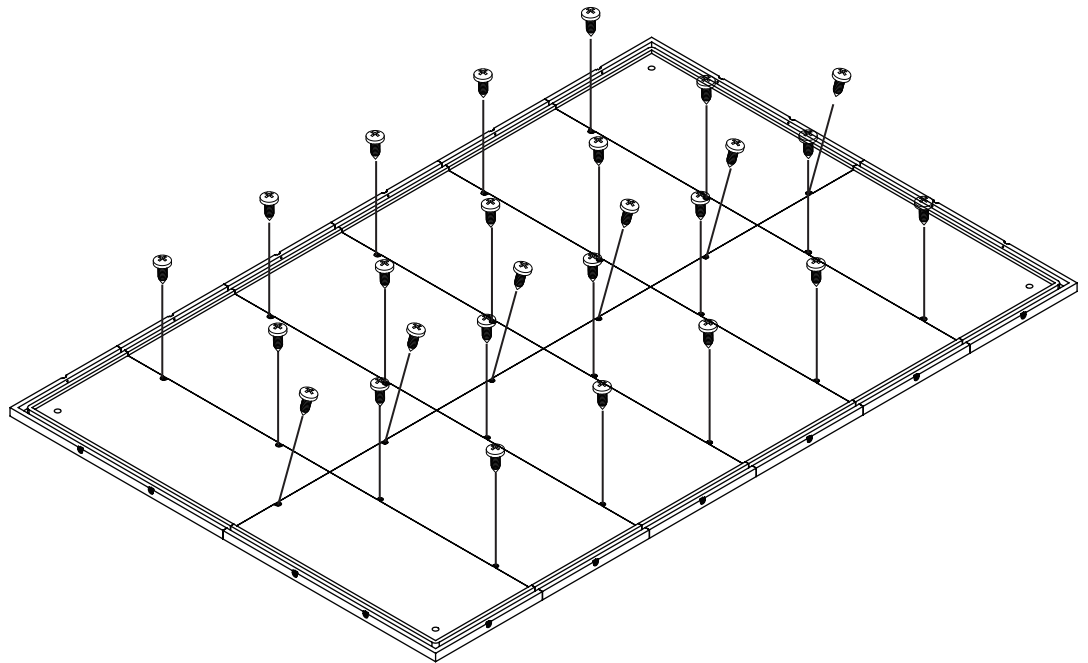
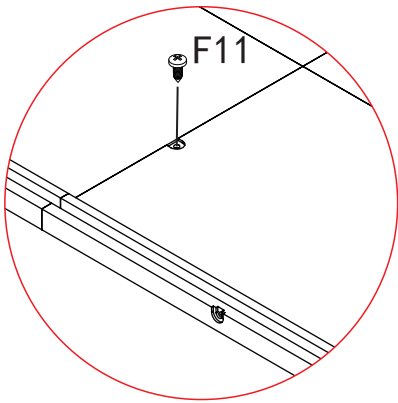
ROOF PARTS MOUNTING LOCATIONS



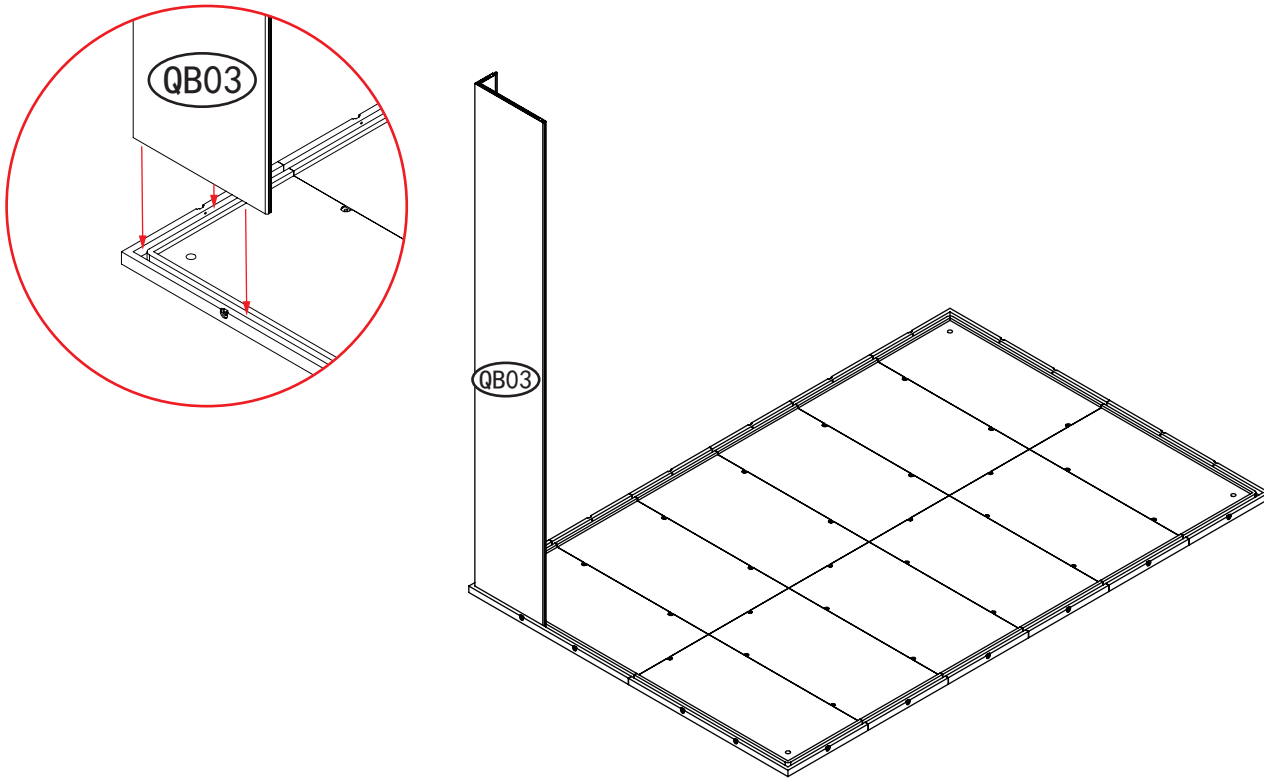
STEP 1



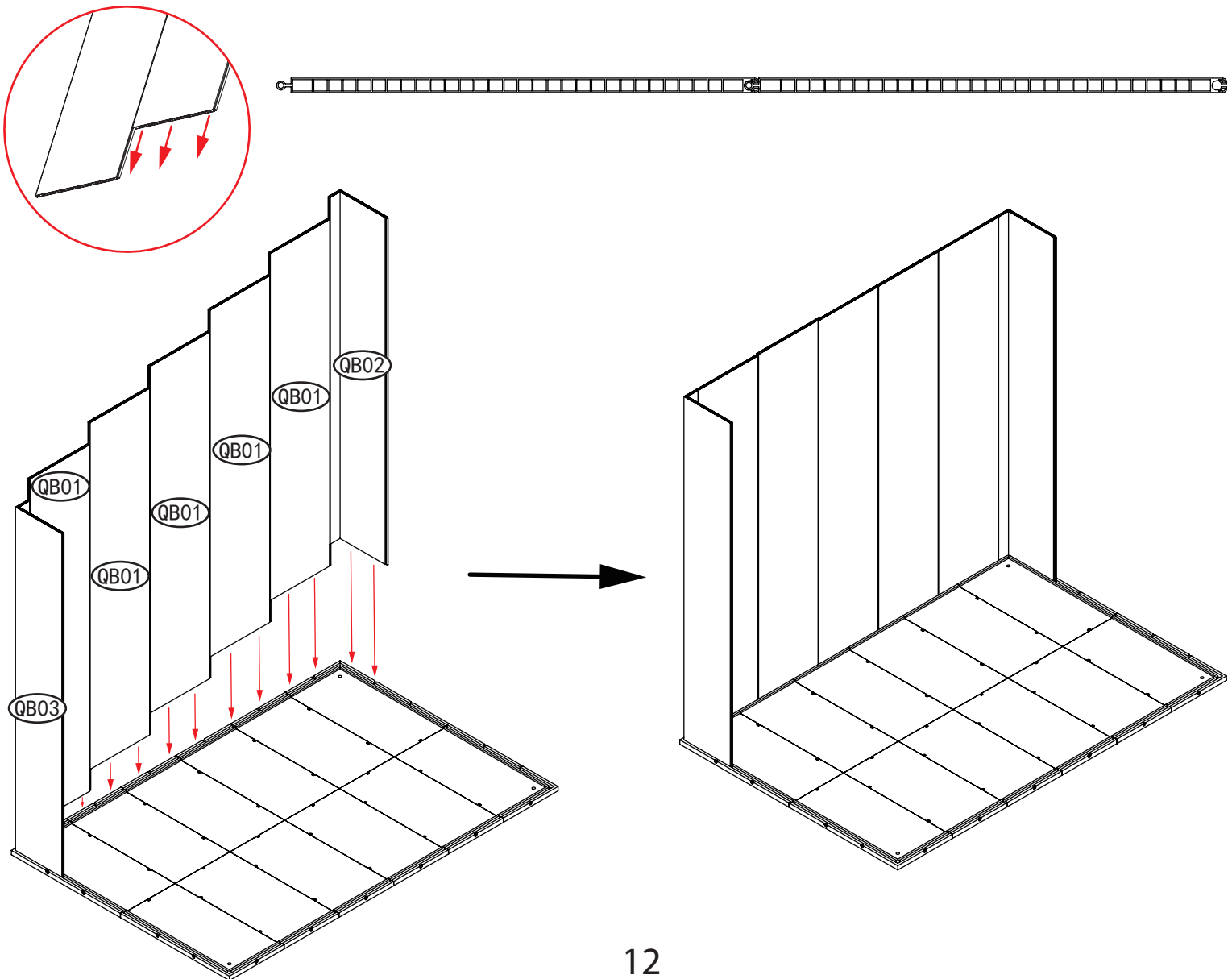
STEP 2



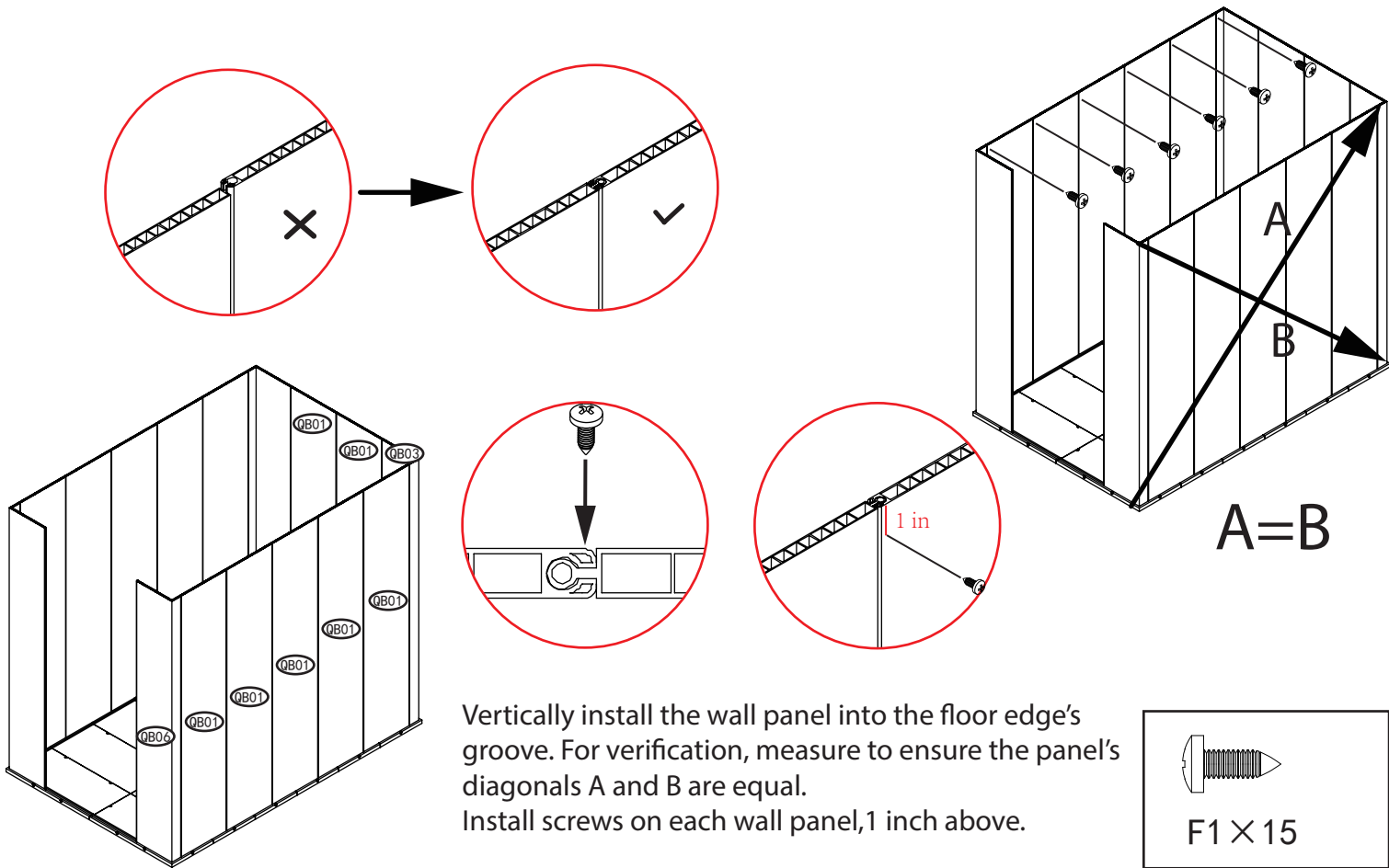
STEP 3



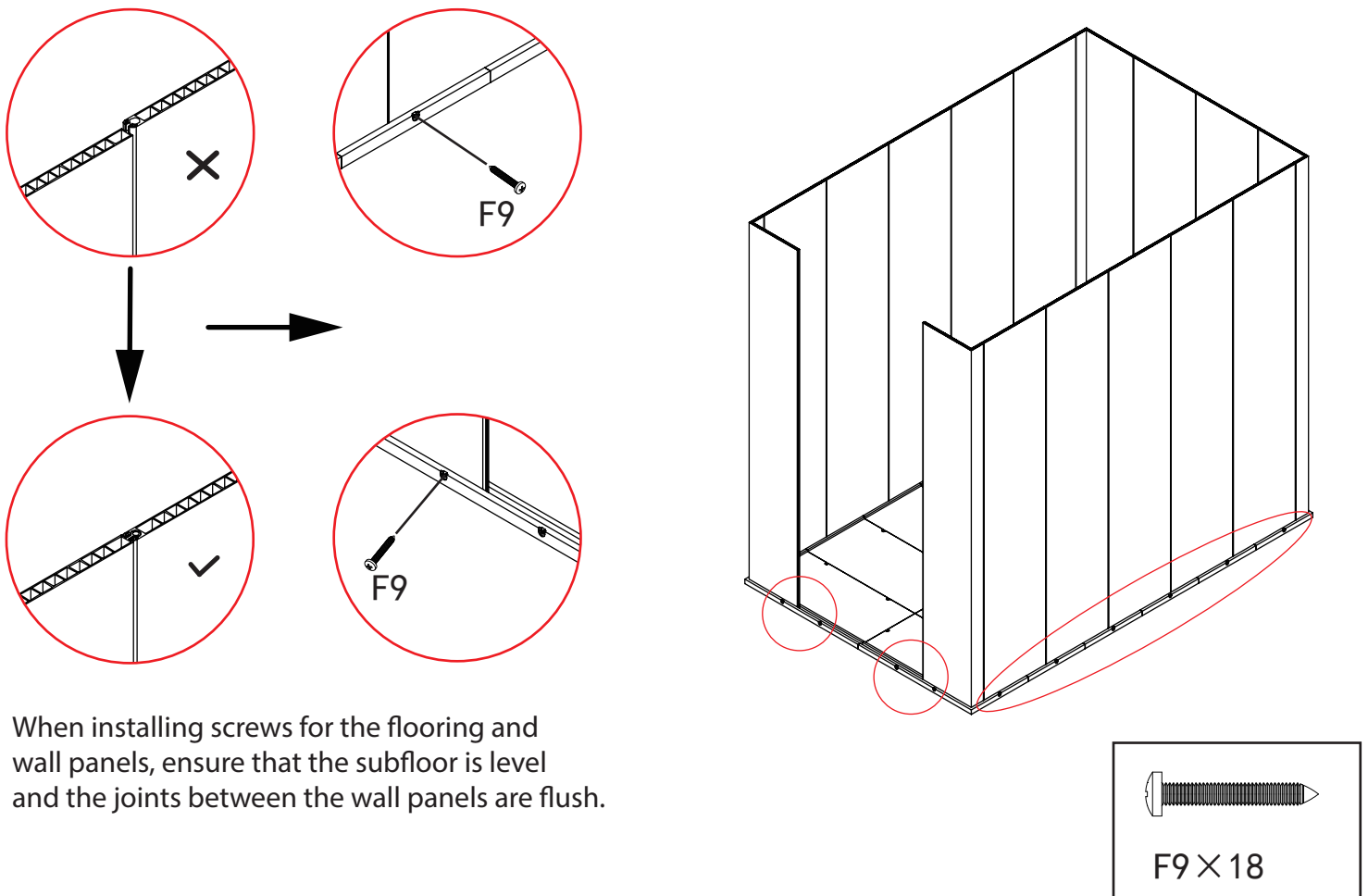
STEP 4



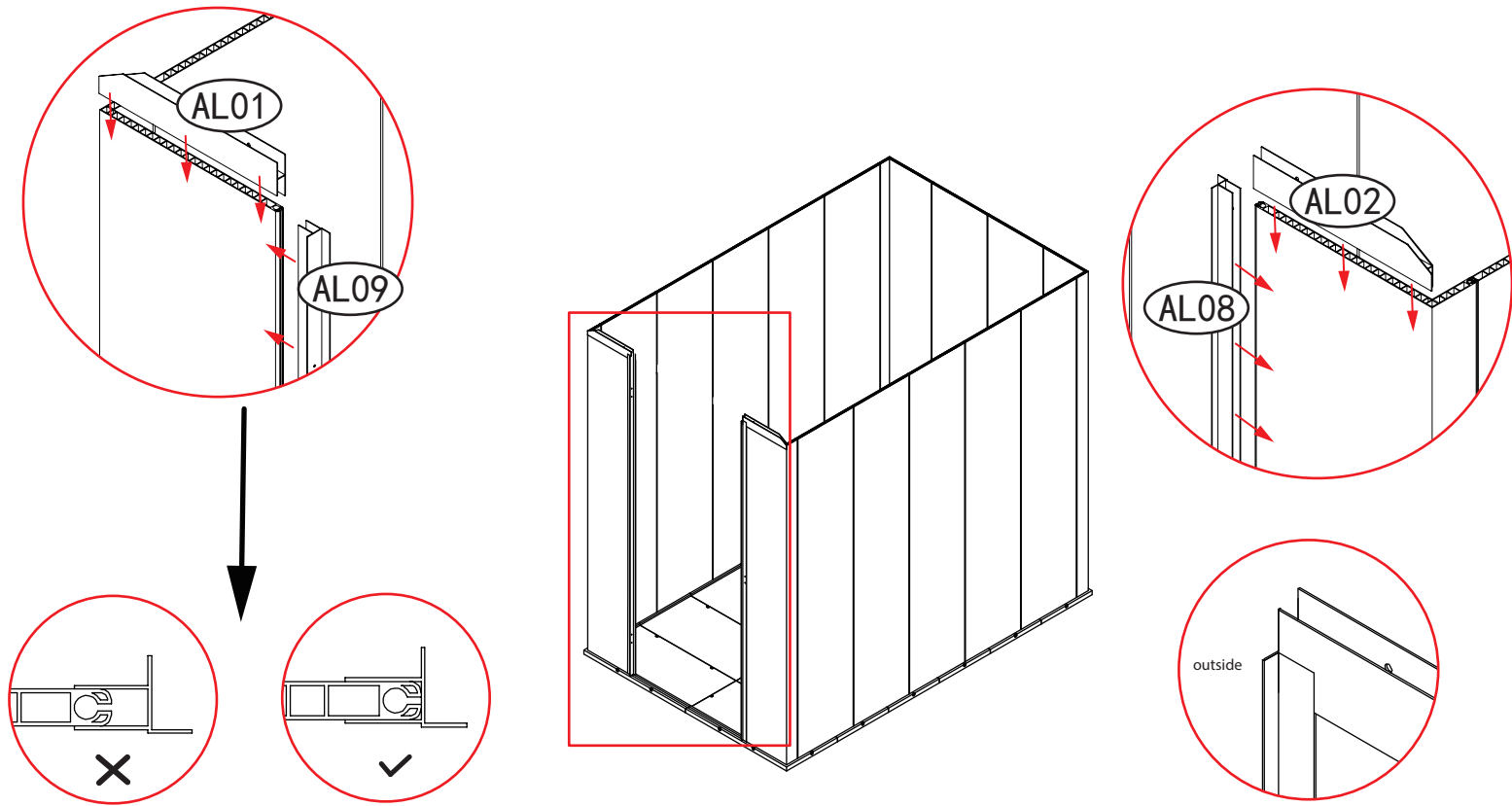
STEP 5



STEP 6



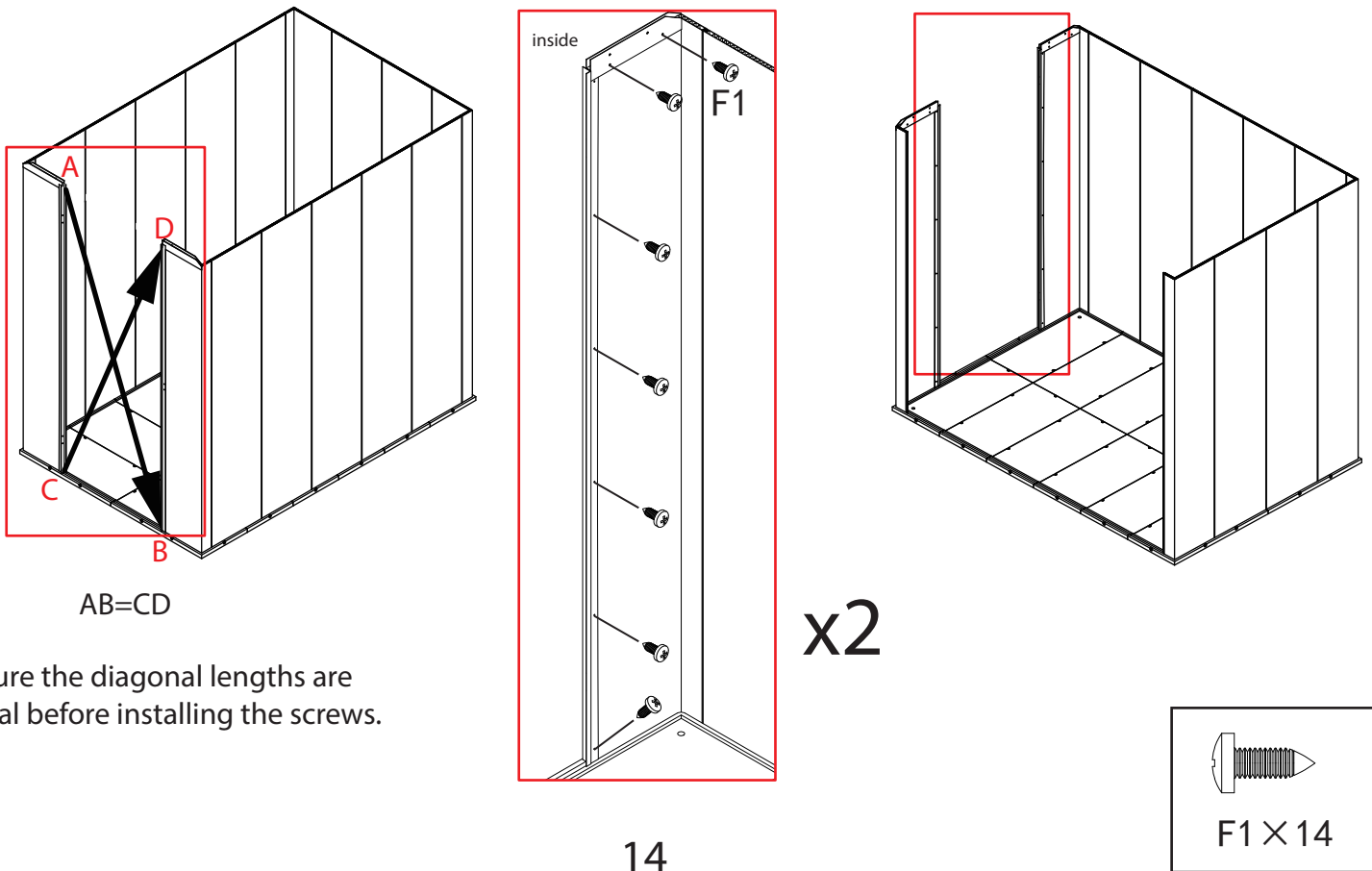
STEP 7



Fully fit the panel inside the profile

AL09 encases AL01
AL08 encases AL02

STEP 8

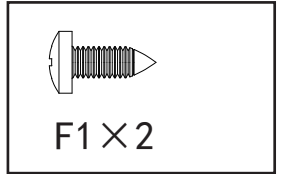
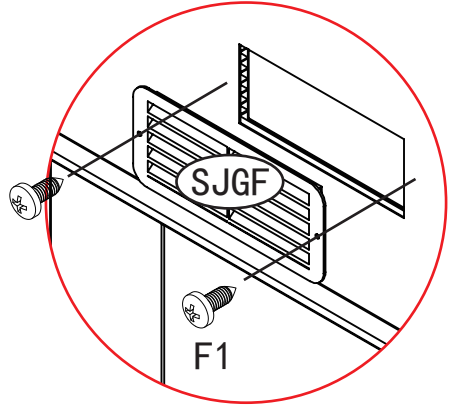
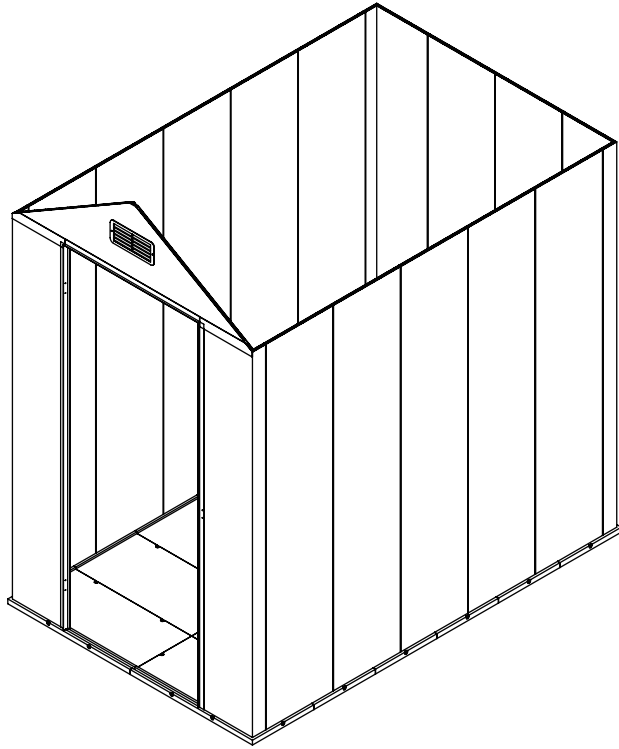
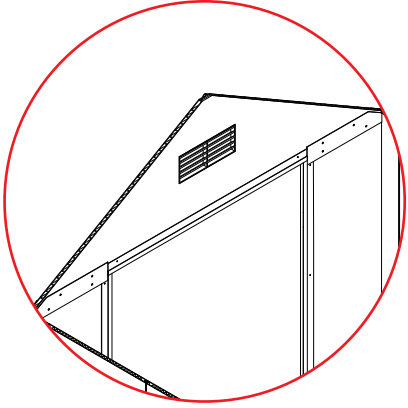
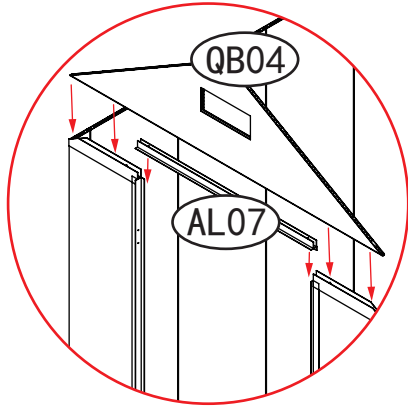


Ensure the diagonal lengths are equal before installing the screws.

14

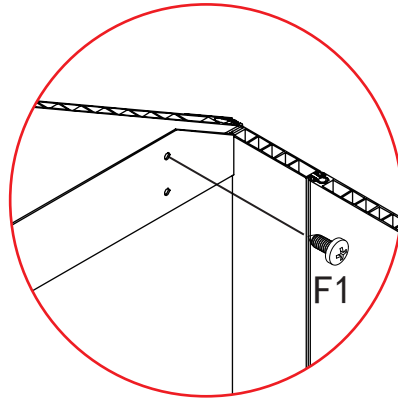
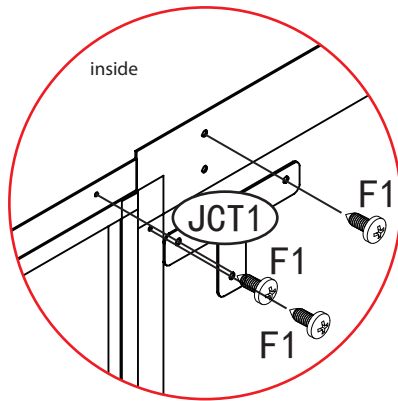
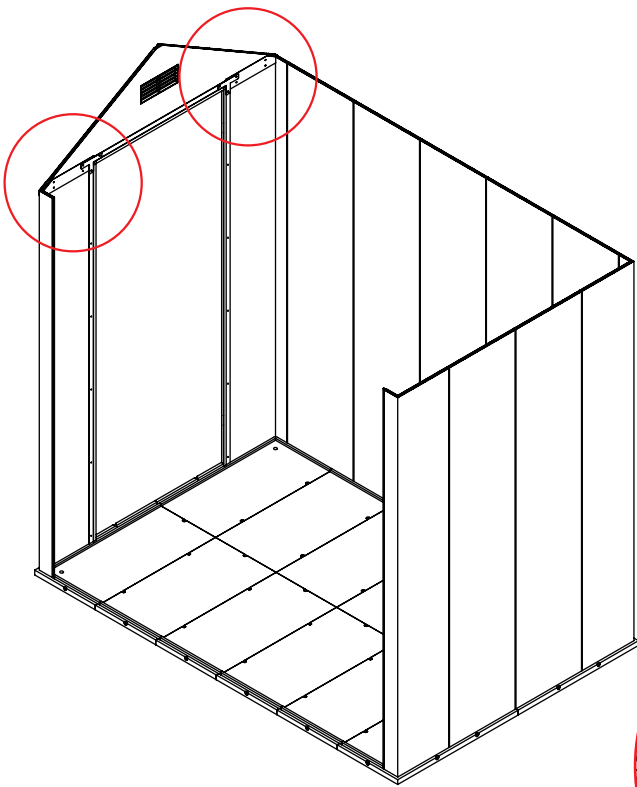
F1 x 14

STEP 9

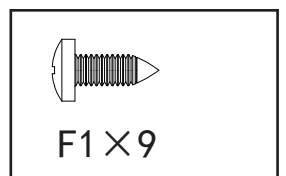
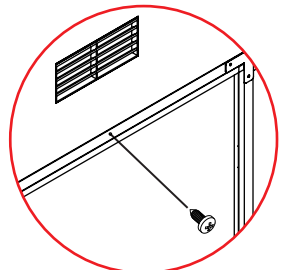
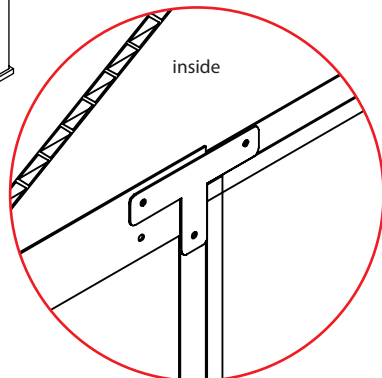


AL07 must be aligned with both AL01 and AL02.

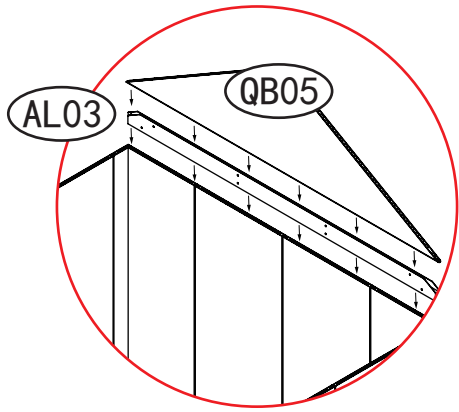
STEP 10



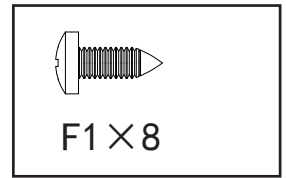
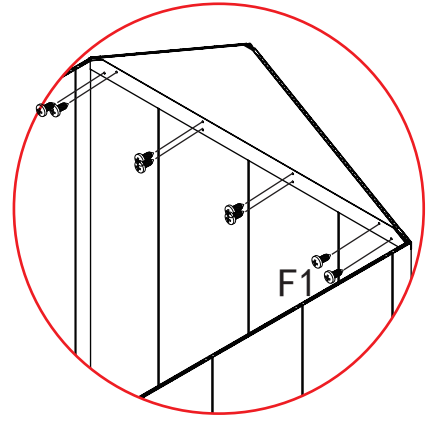
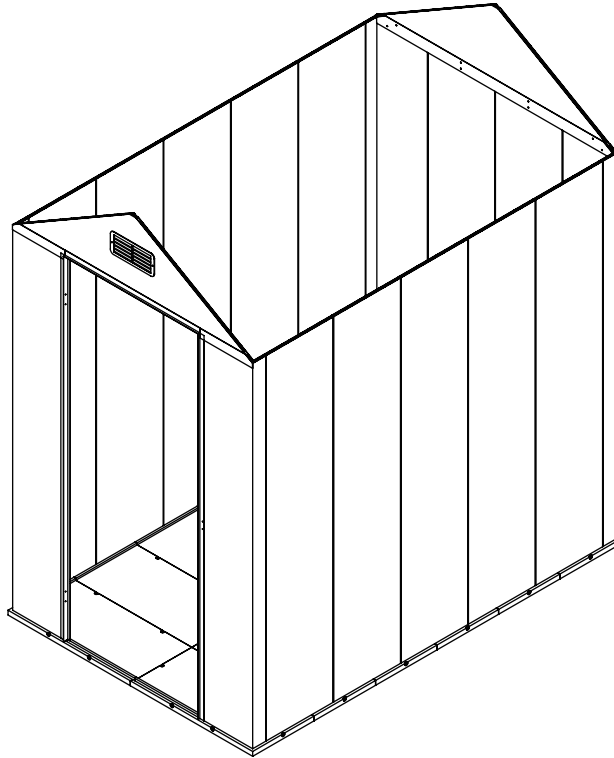
When installing JCT1, ensure it is mounted on the interior side of the panel and oriented perpendicular to (at a 90-degree angle with) AL09/AL08, AL07, and AL01/AL02.



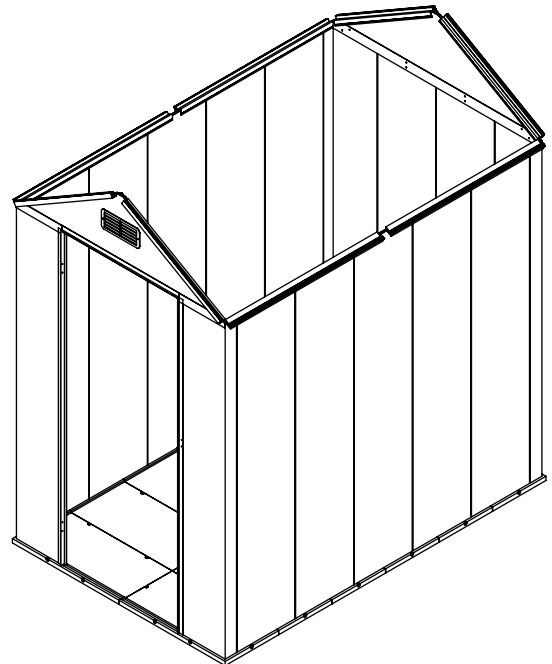
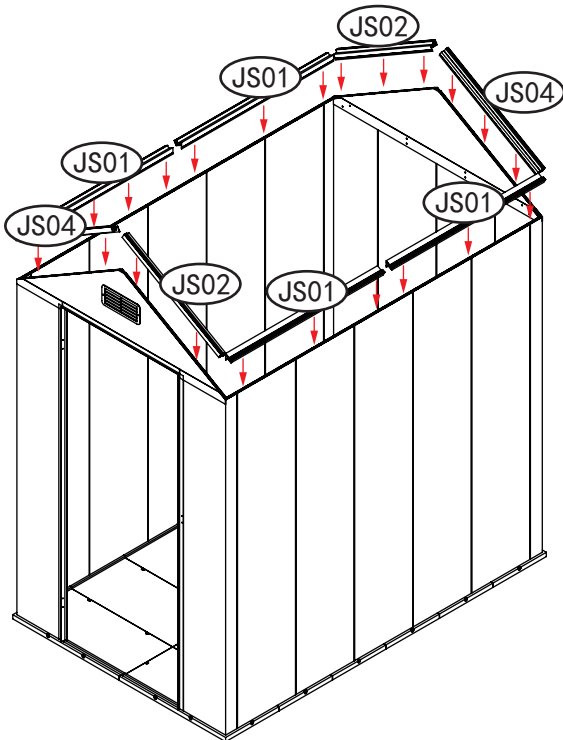
STEP 11



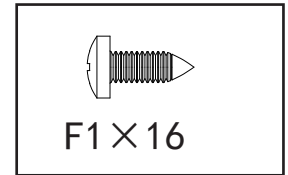
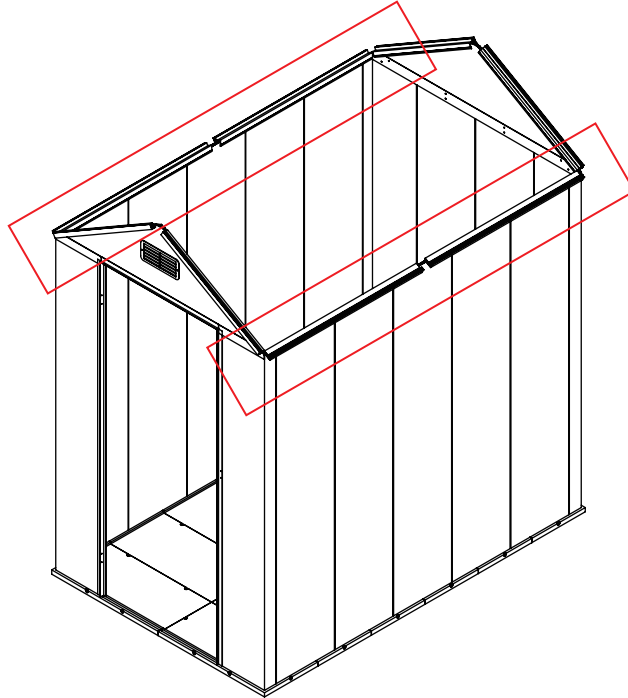
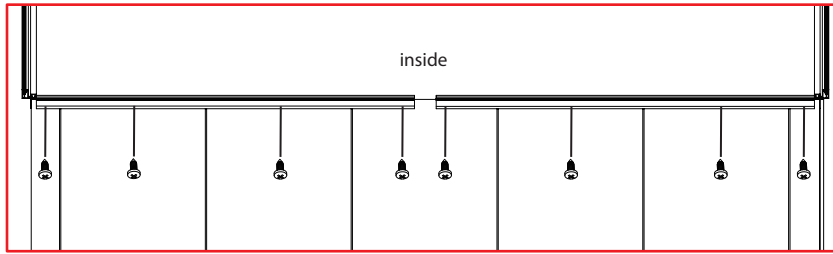
Fully fit the panel inside the profile



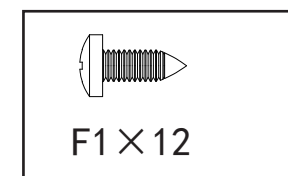
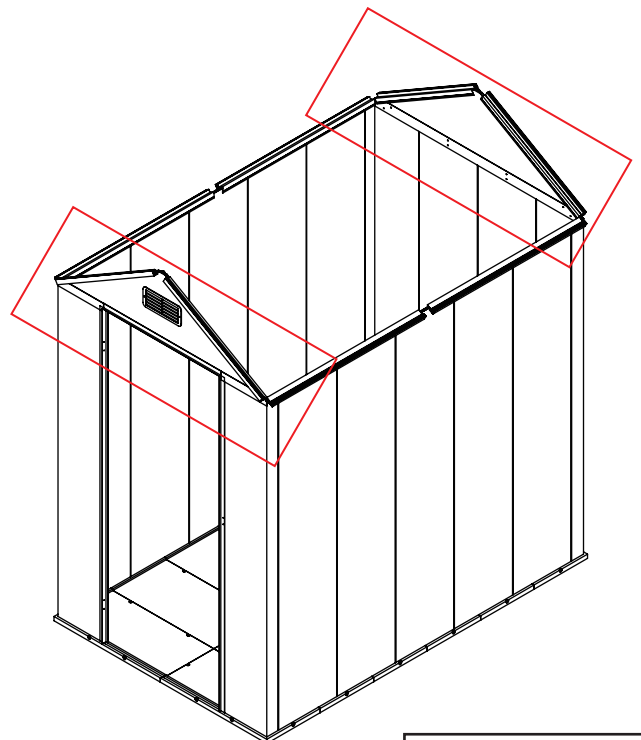
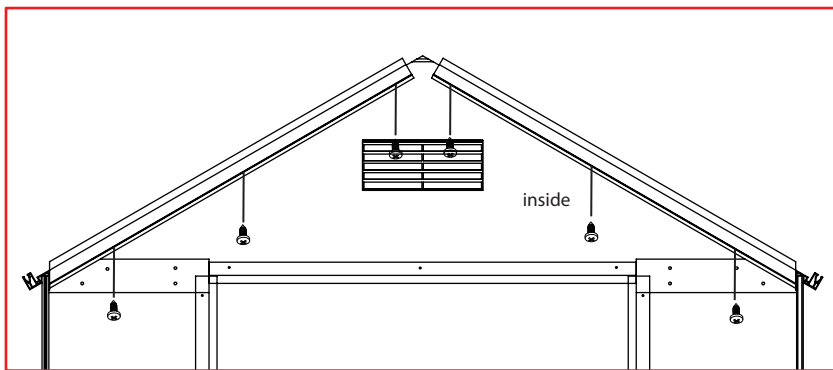
STEP 12



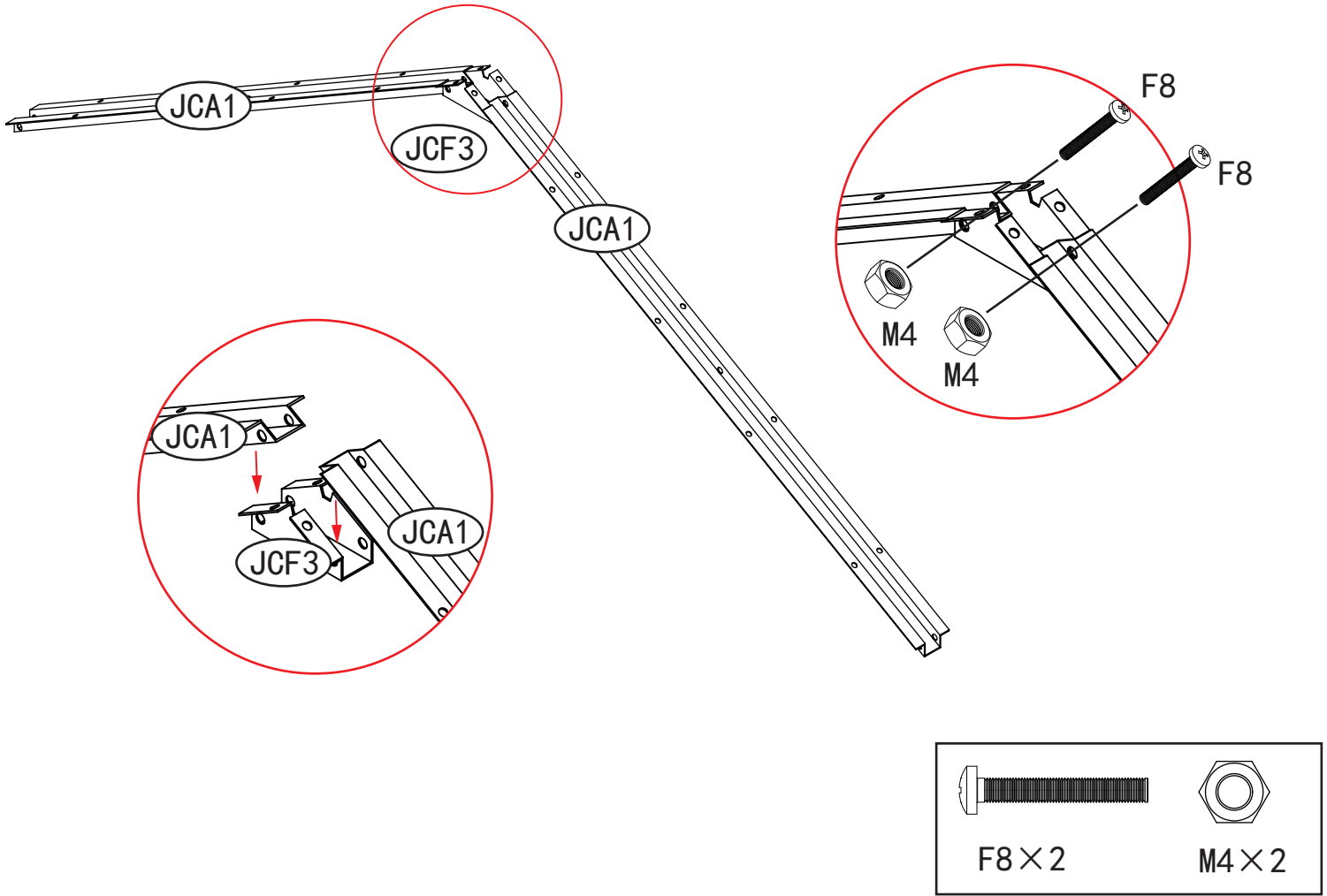
STEP 13



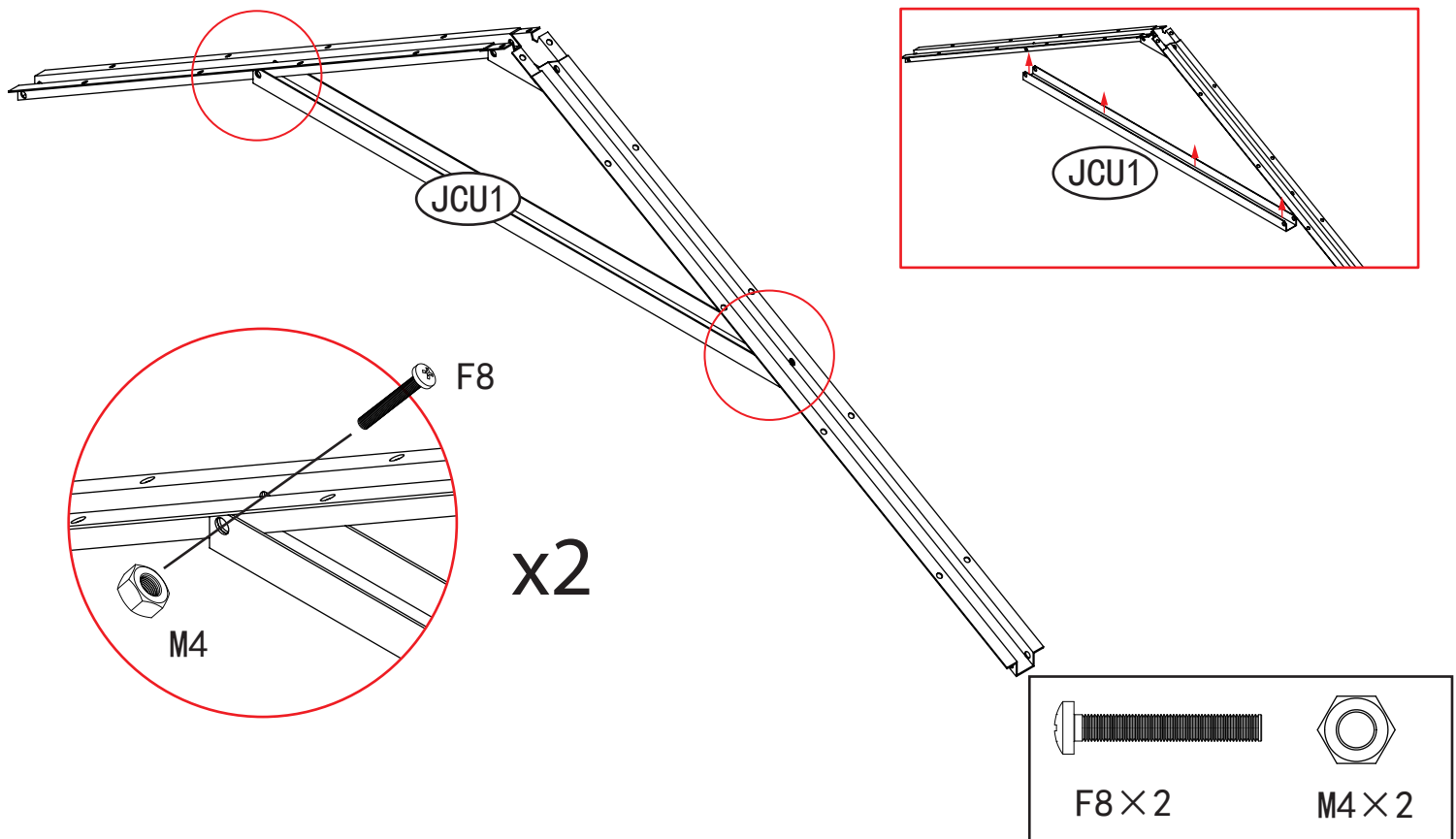
STEP 14



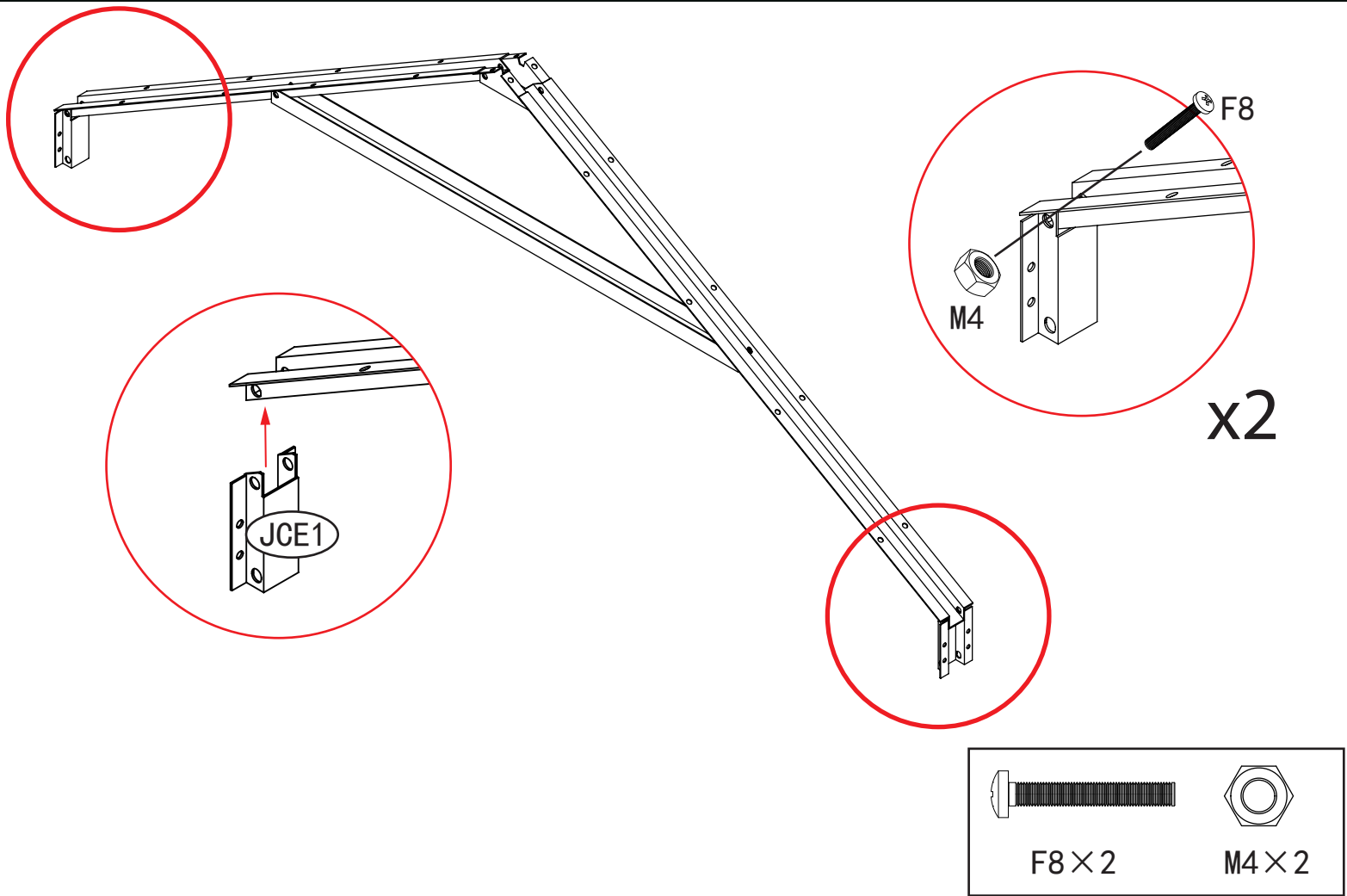
STEP 15



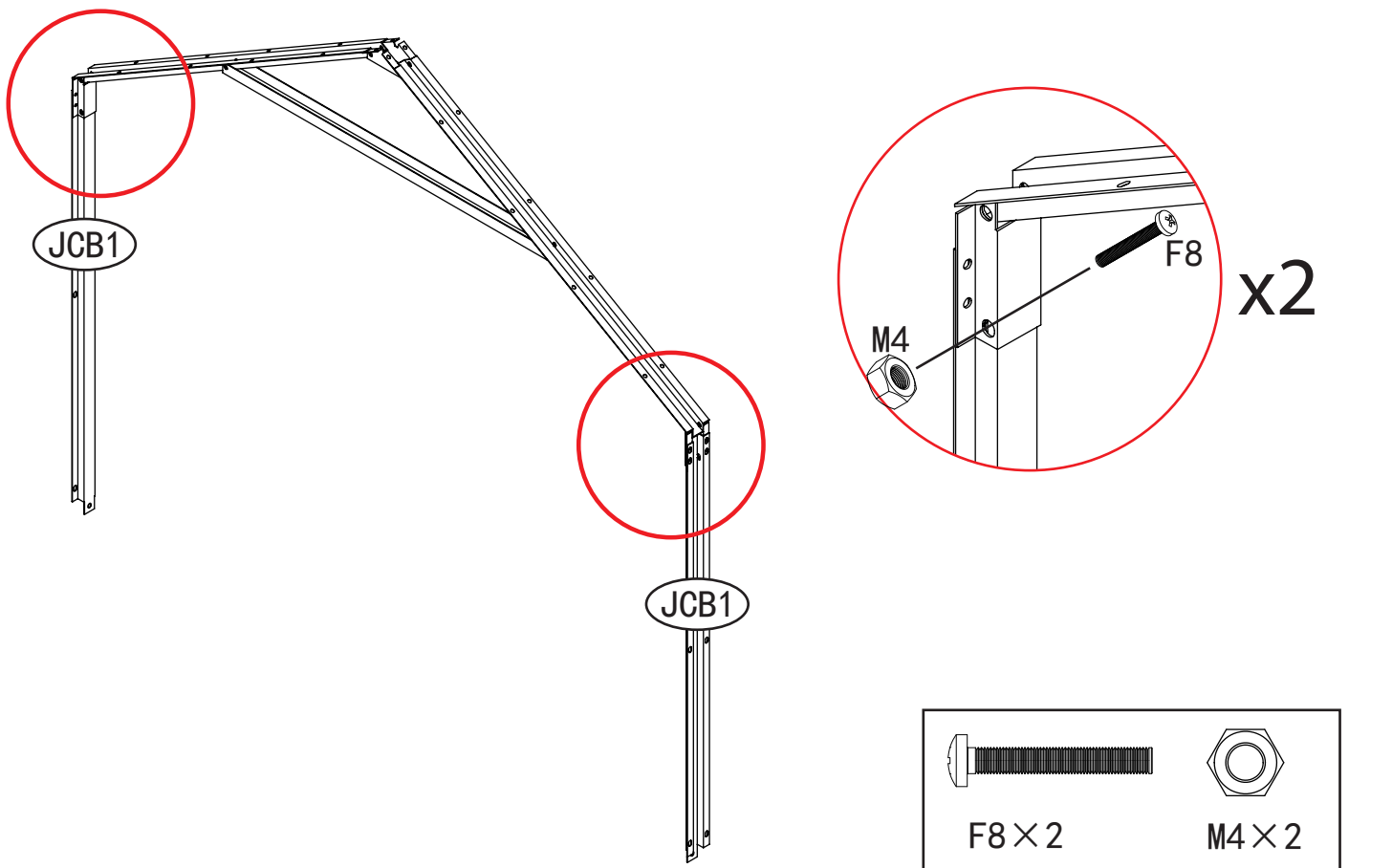
STEP 16



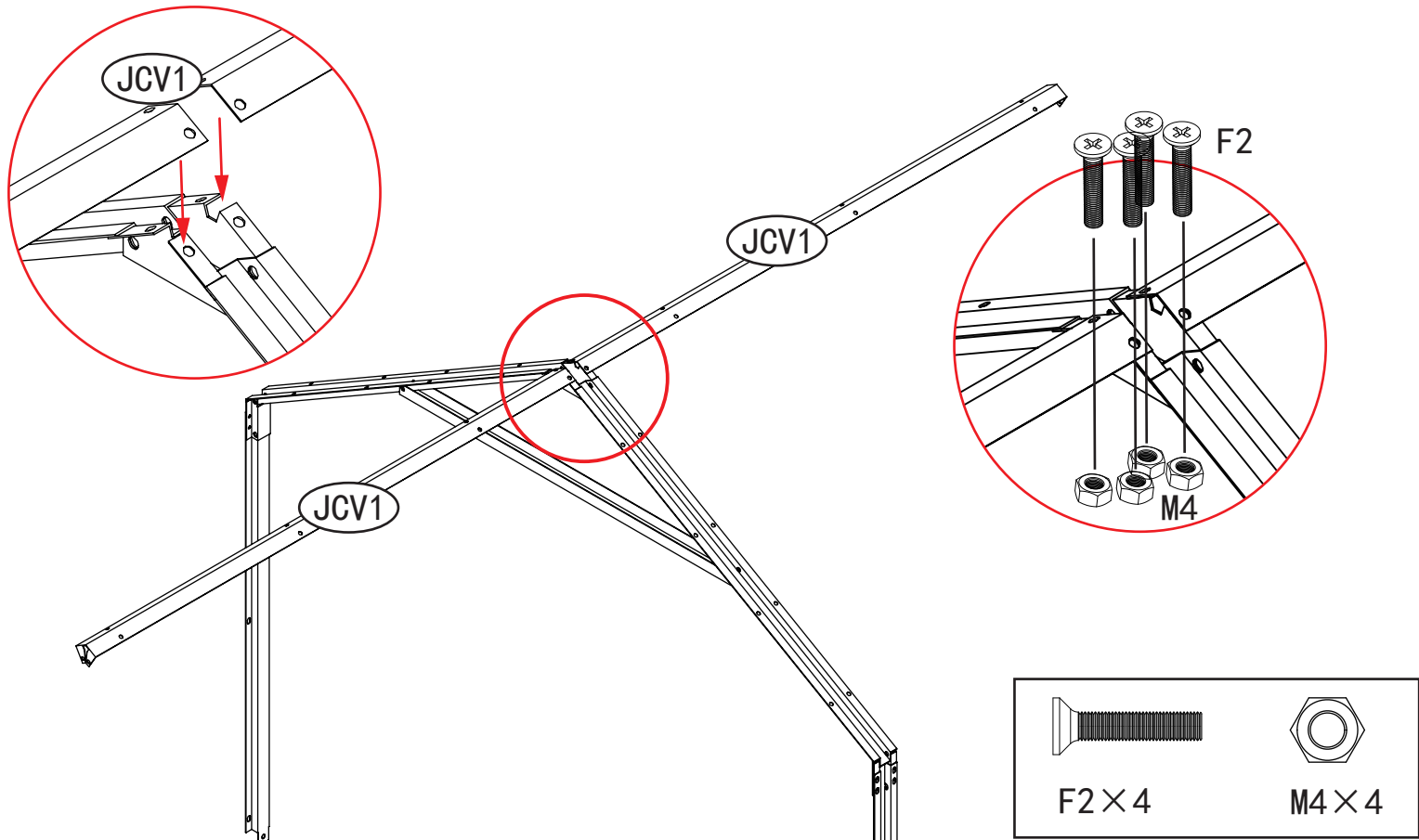
STEP 17



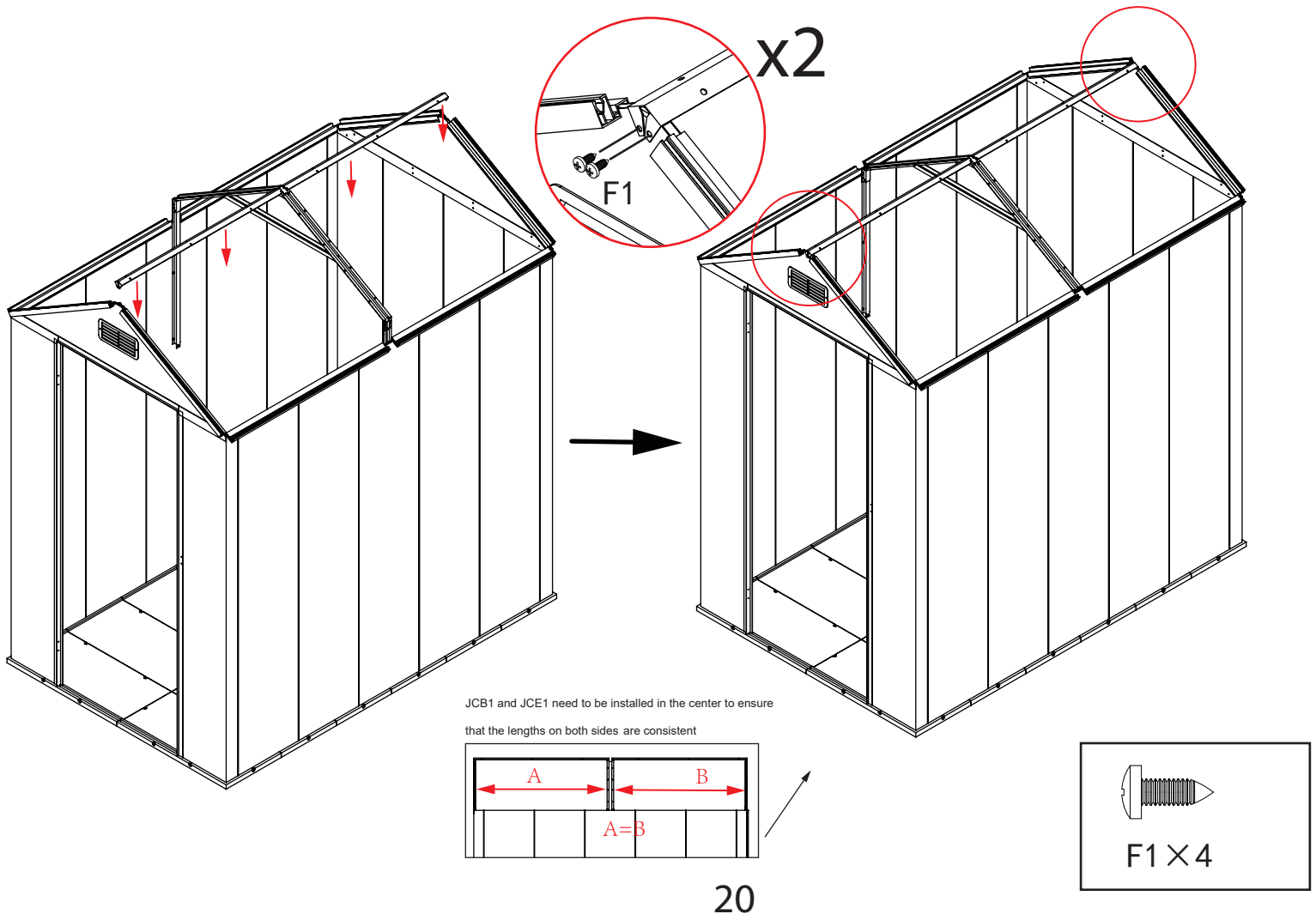
STEP 18



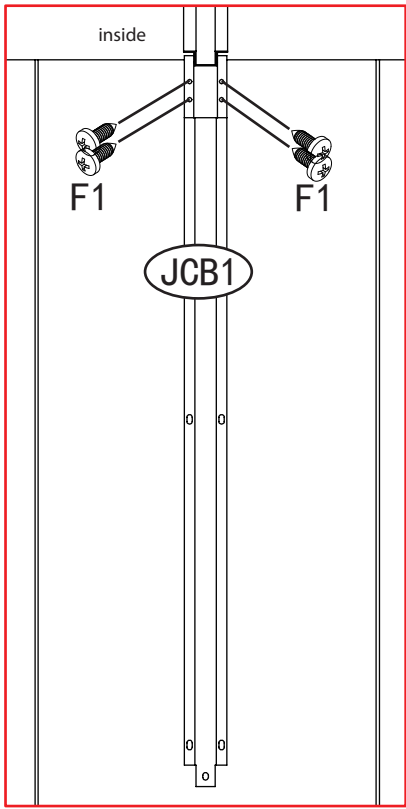
STEP 19



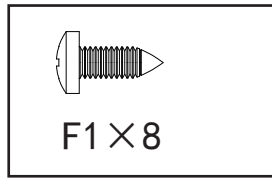
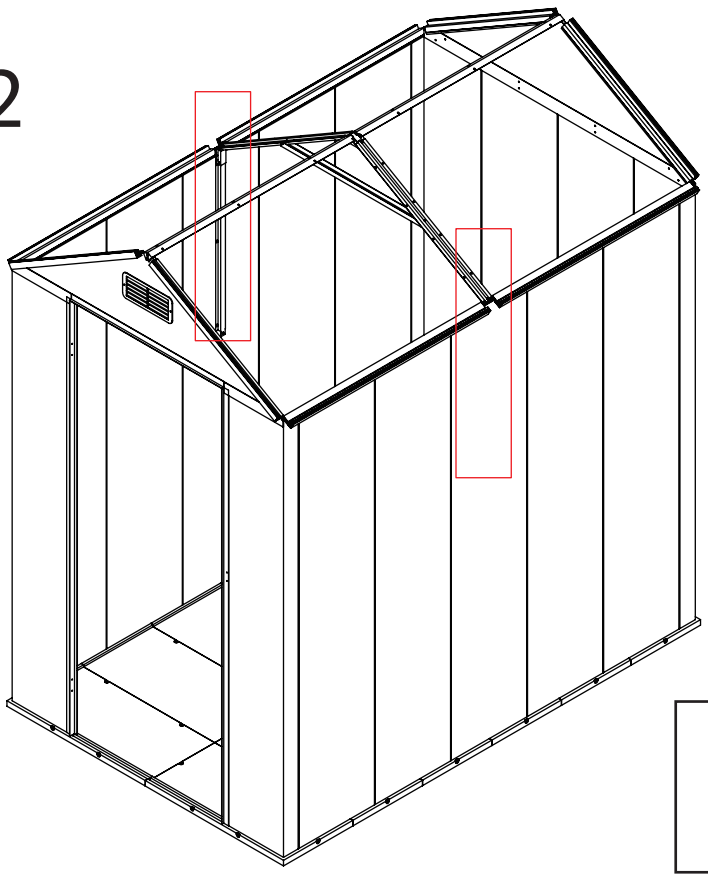
STEP 20



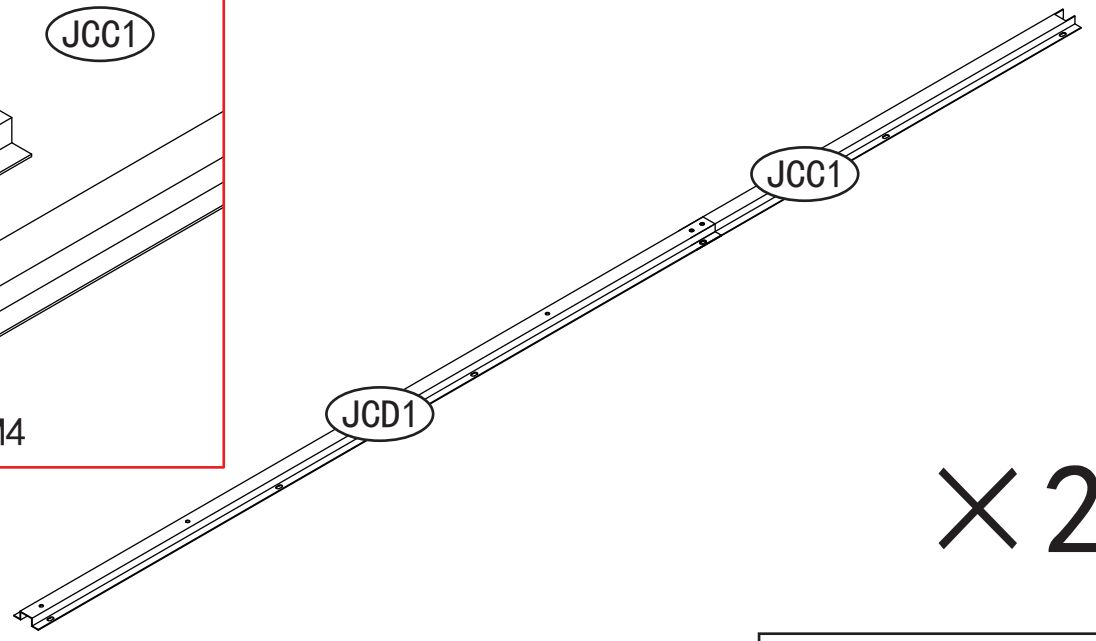
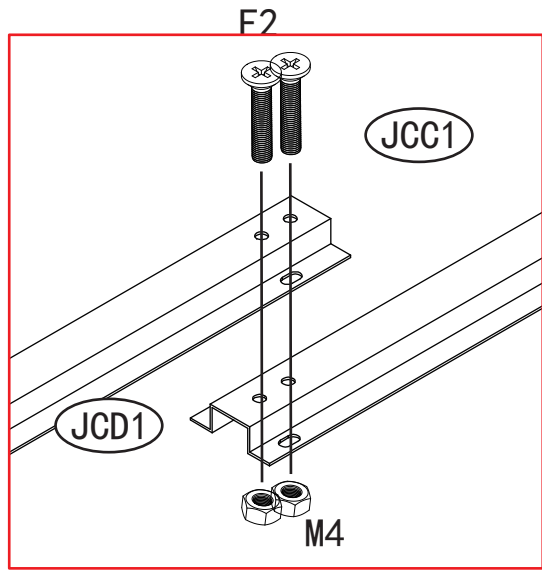
STEP 21



x2



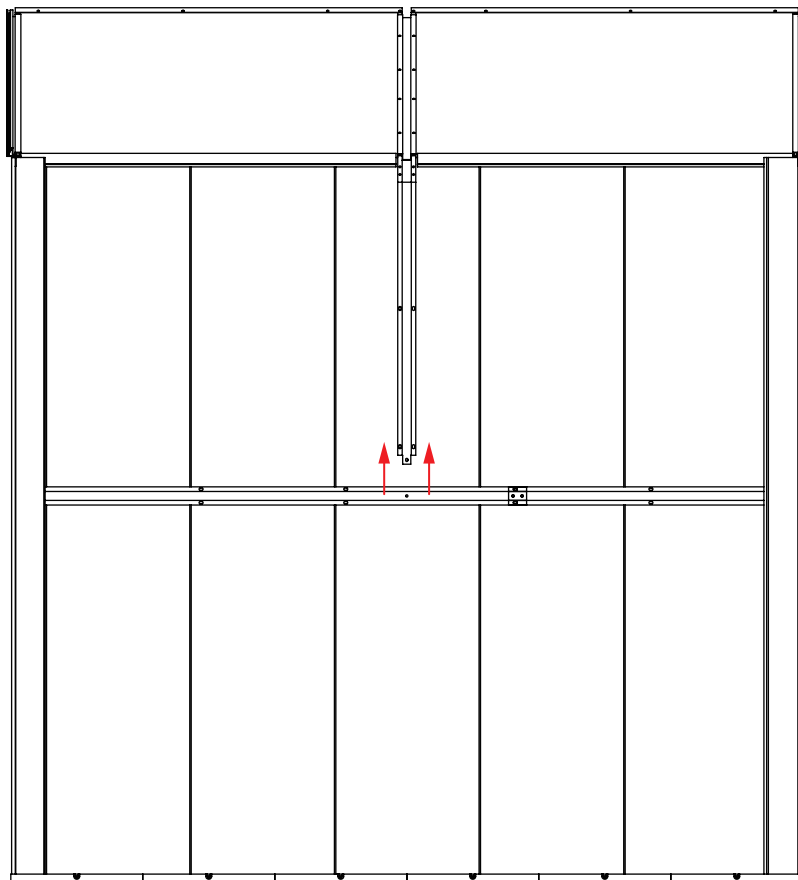
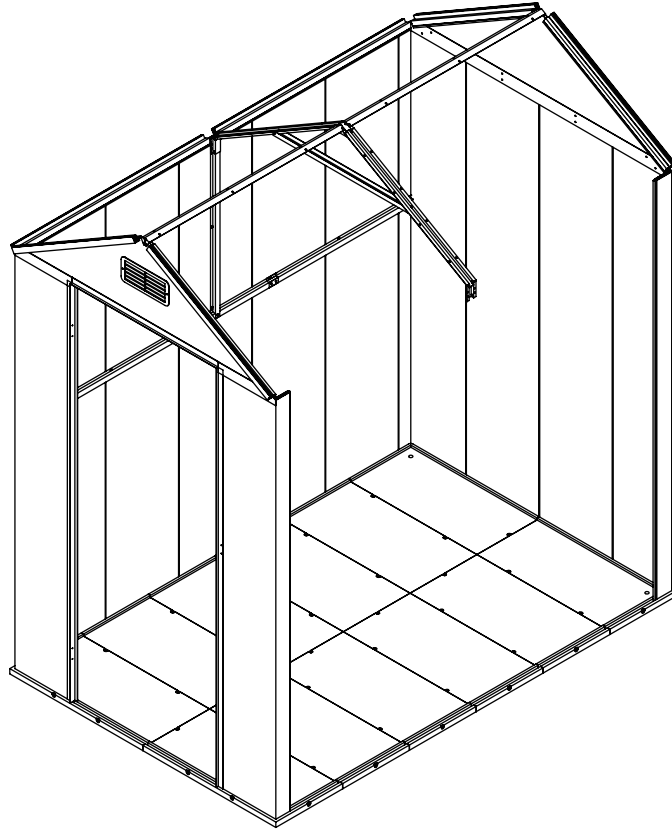
STEP 22



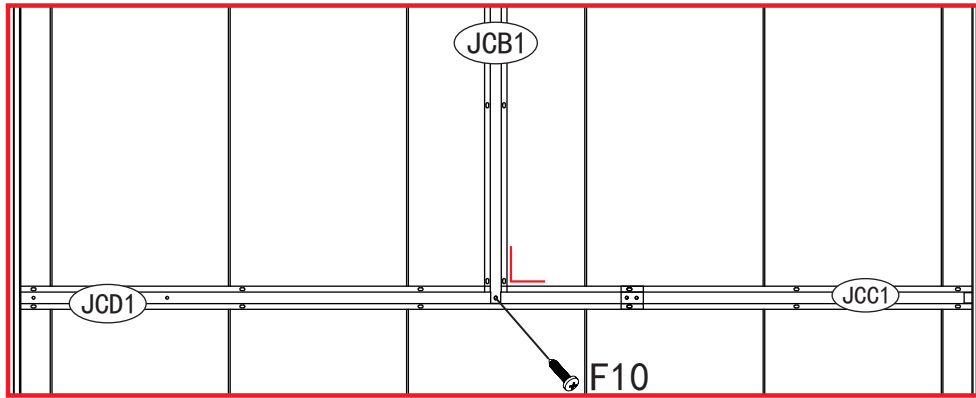
x2



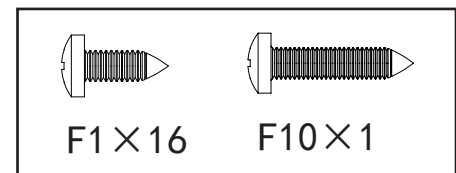
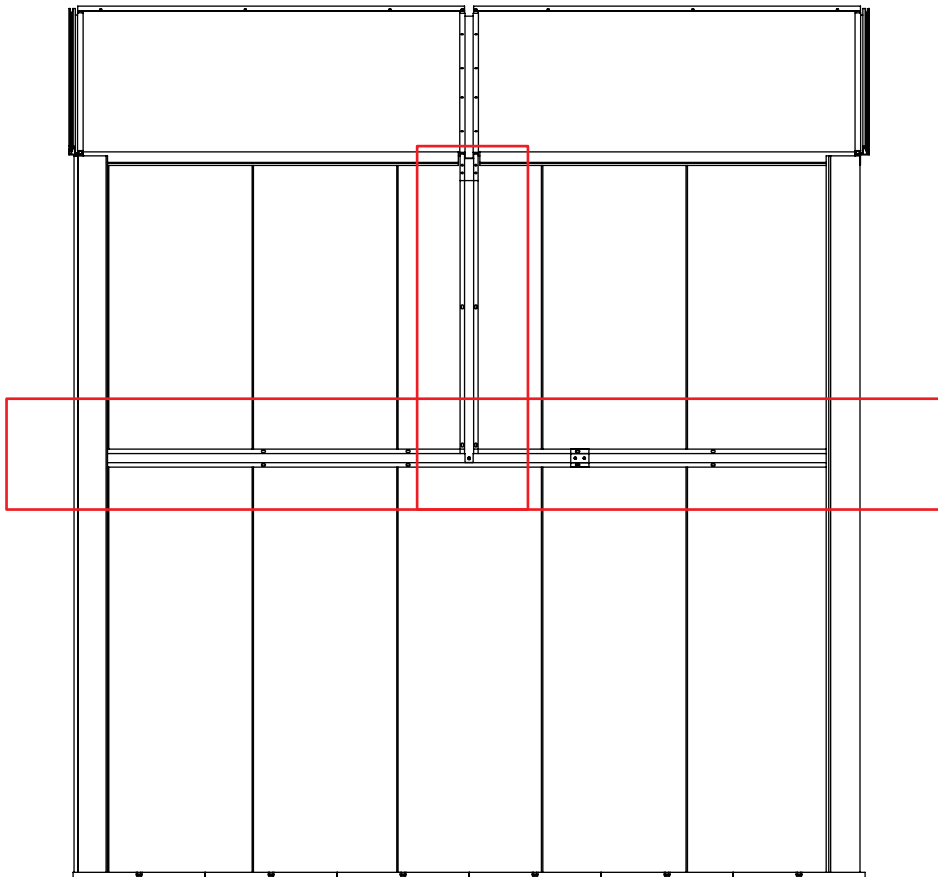
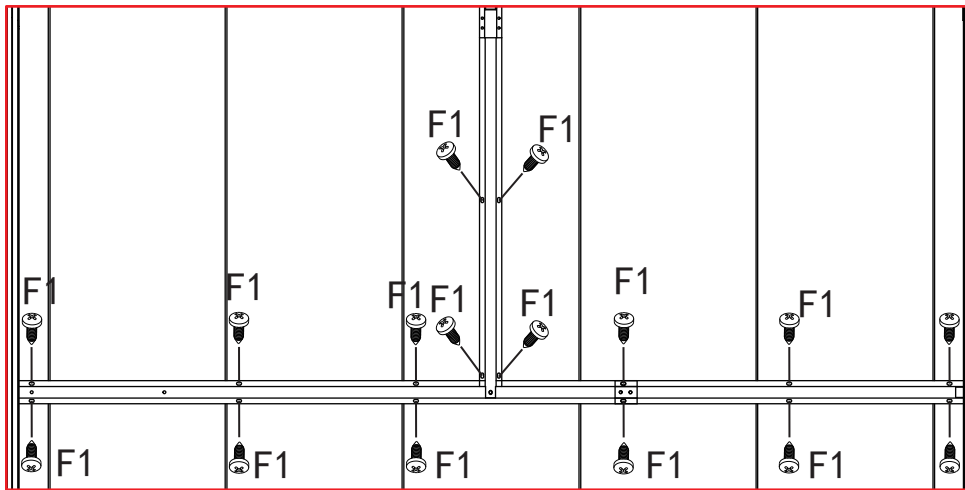
STEP 23



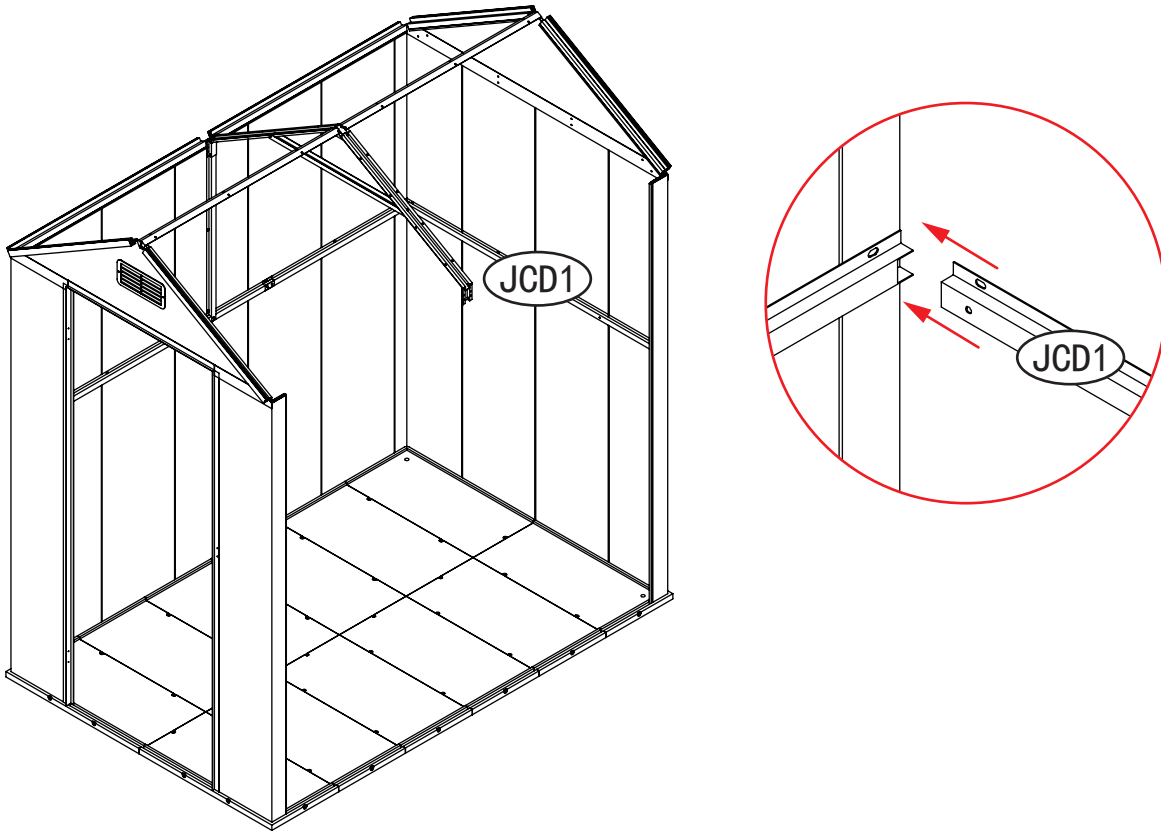
STEP 24



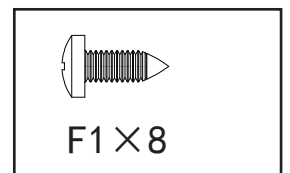
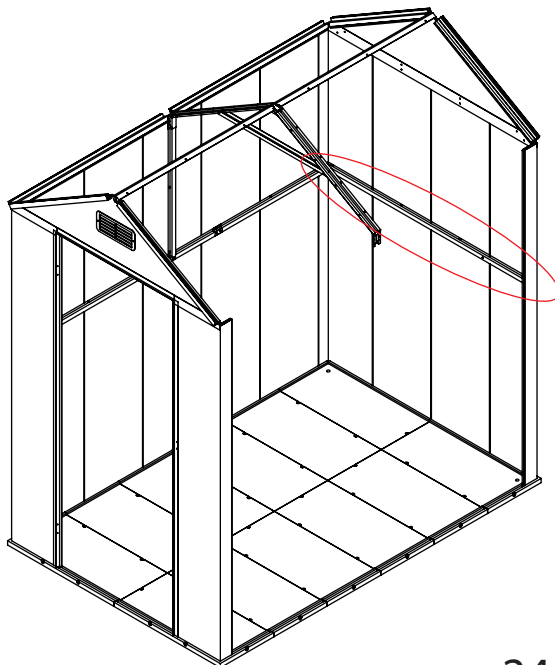
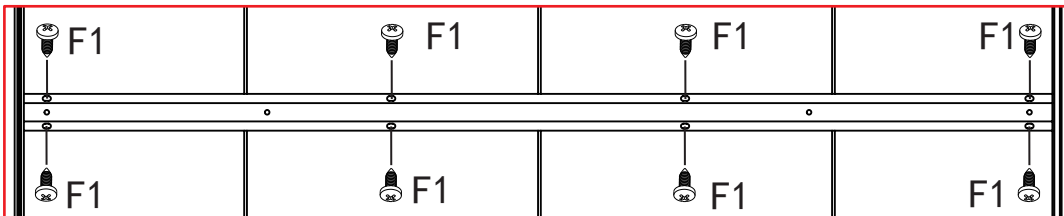
The junctions of JCB1-JCD1 and JCB1-JCC1 require a 90-degree angle.



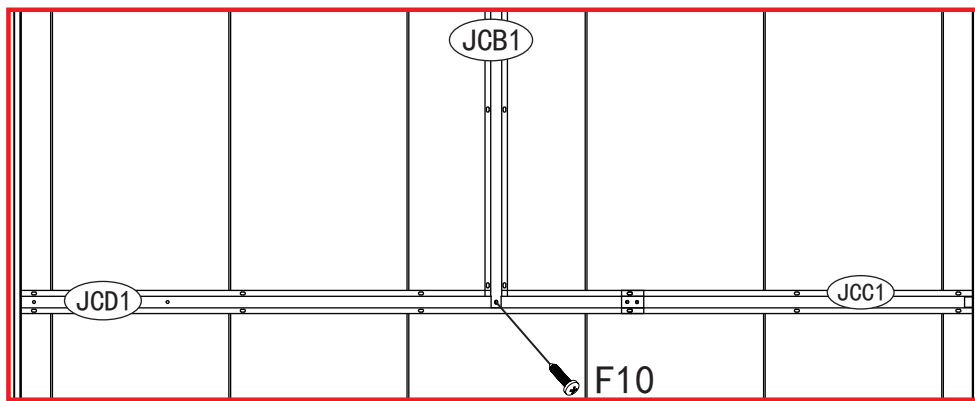
STEP 25



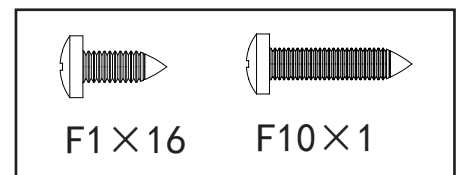
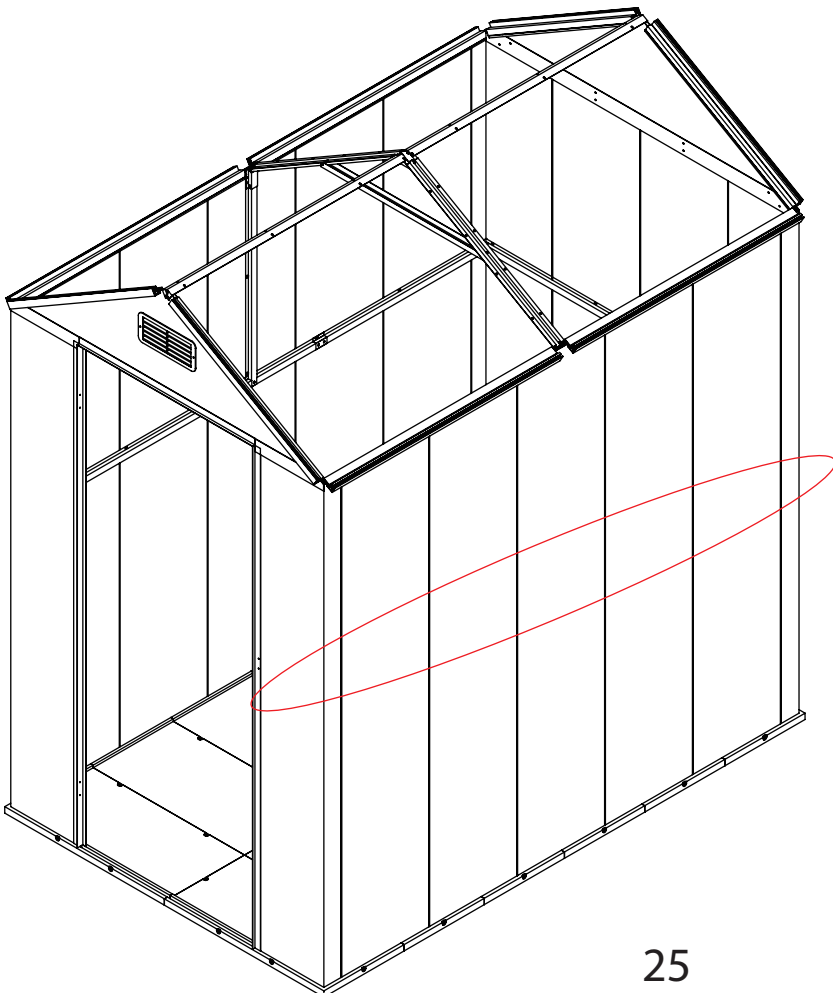
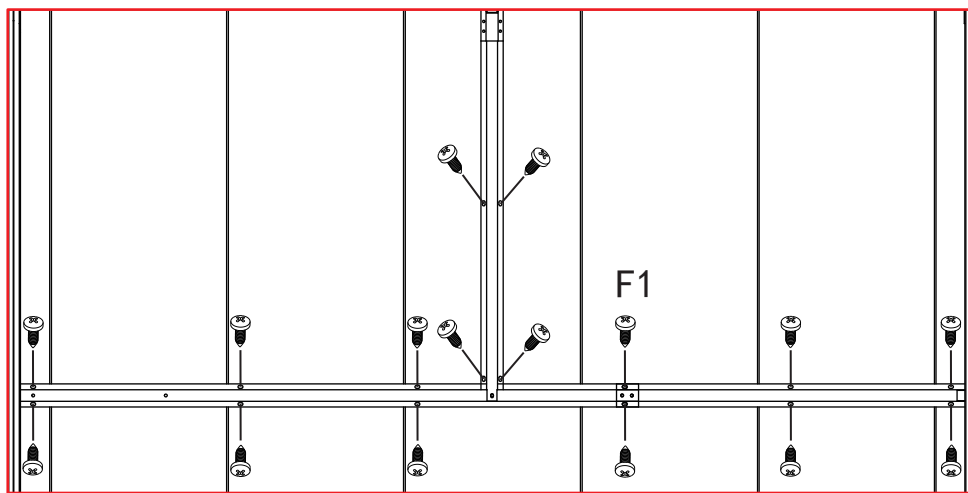
STEP 26



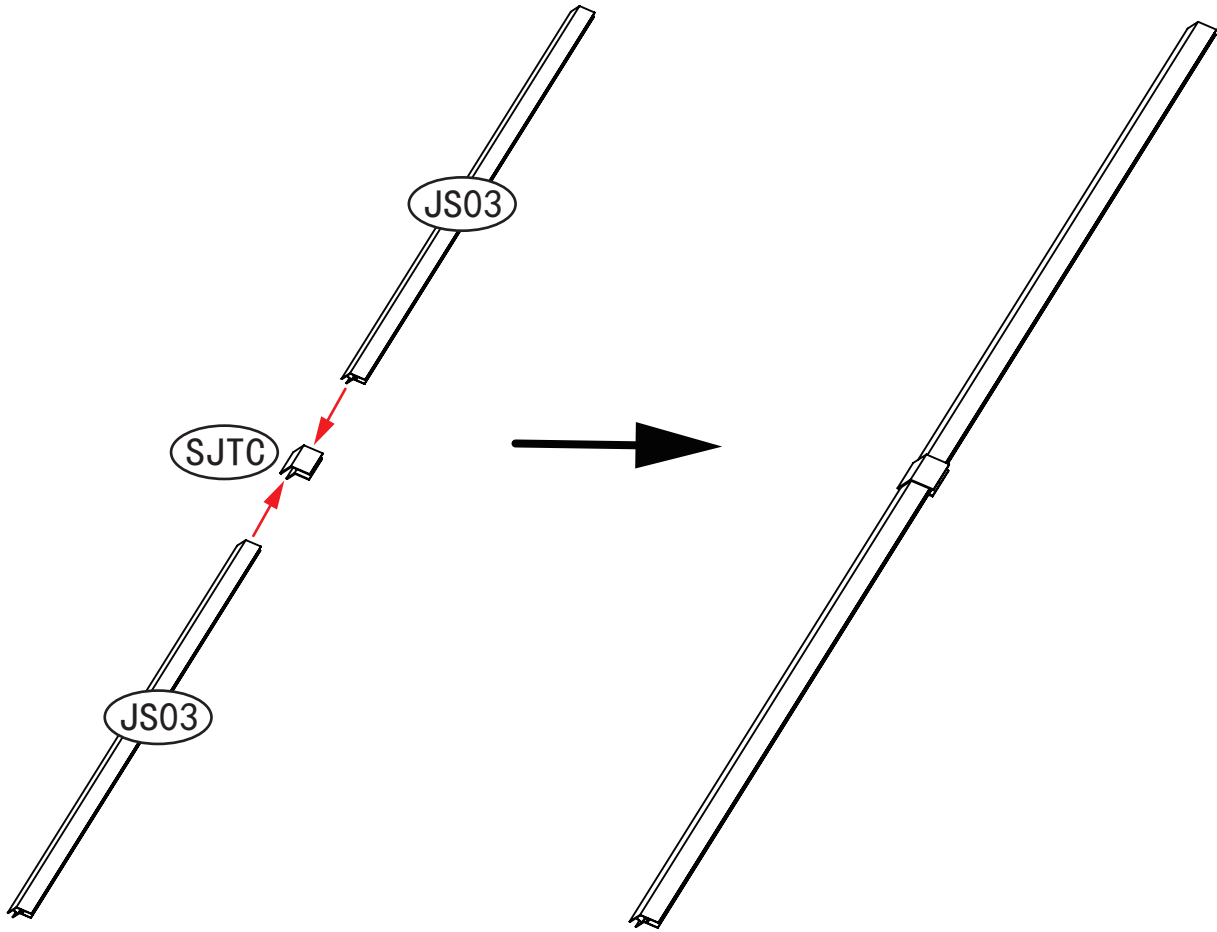
STEP 27



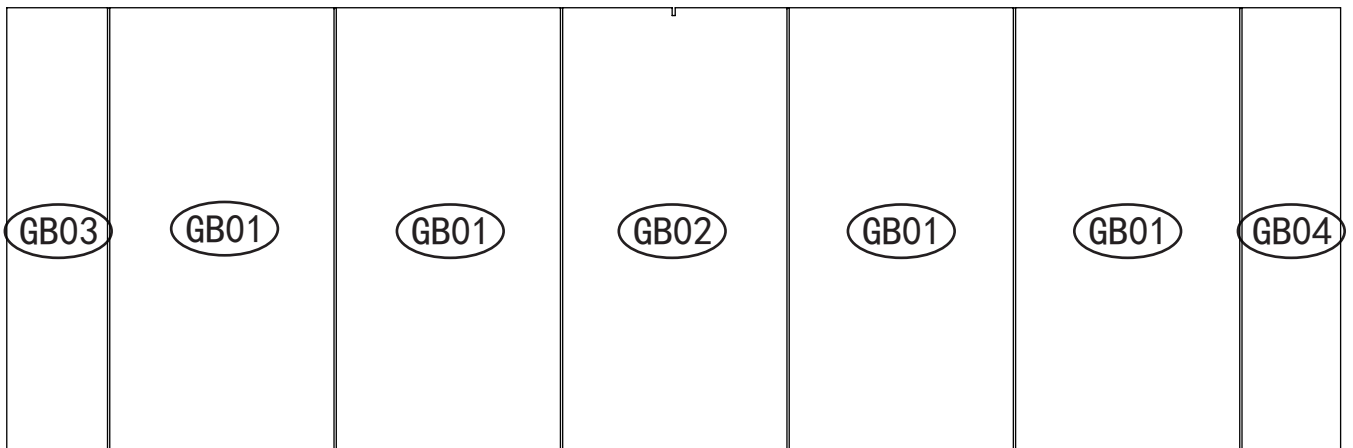
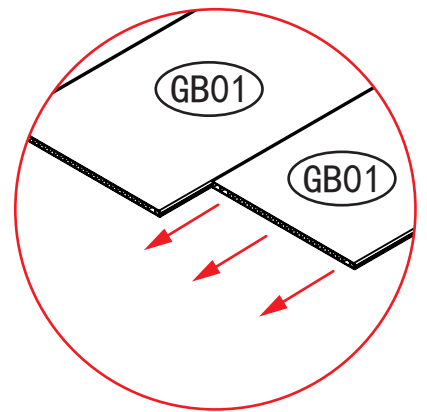
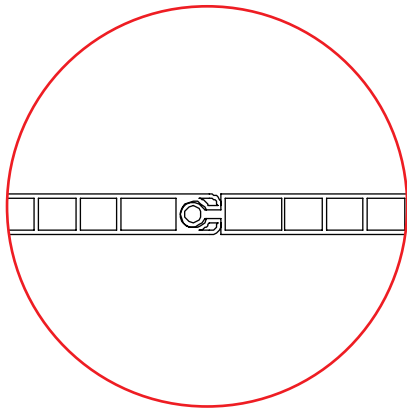
The junctions of JCB1-JCD1 and JCB1-JCC1 require a 90-degree angle.



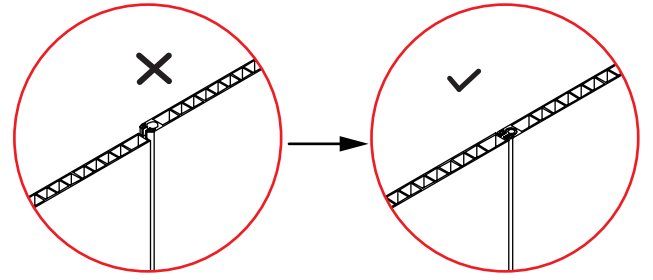
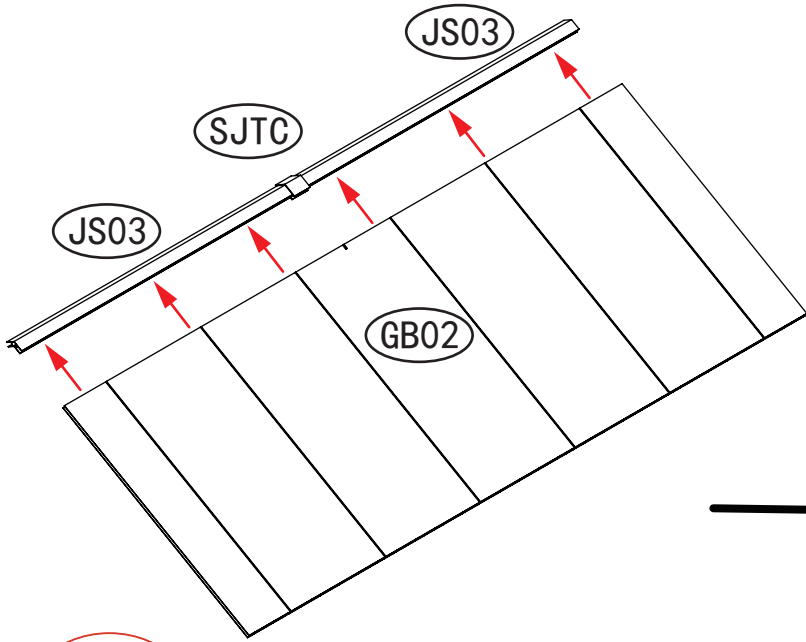
STEP 28



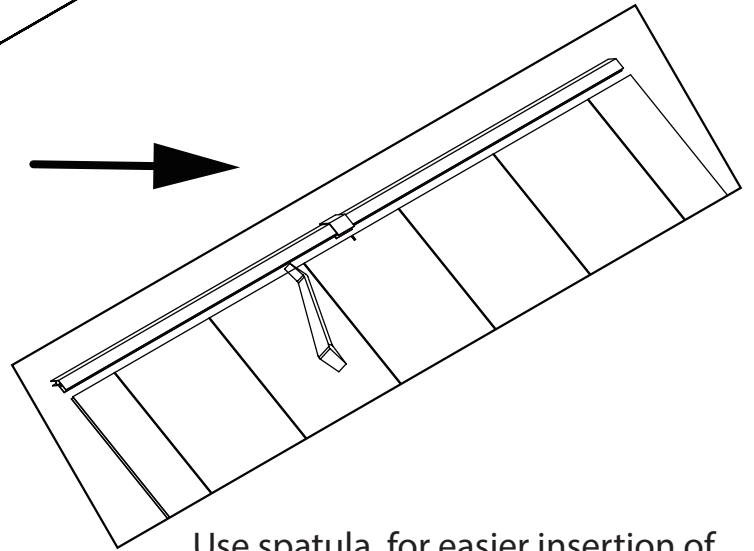
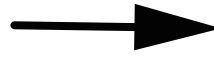
STEP 29



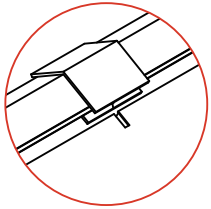
STEP 30



Pay attention to bottom levelness during installation.

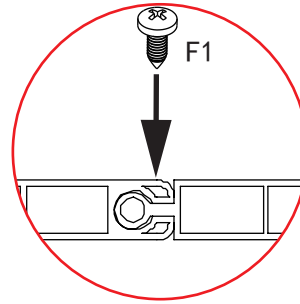
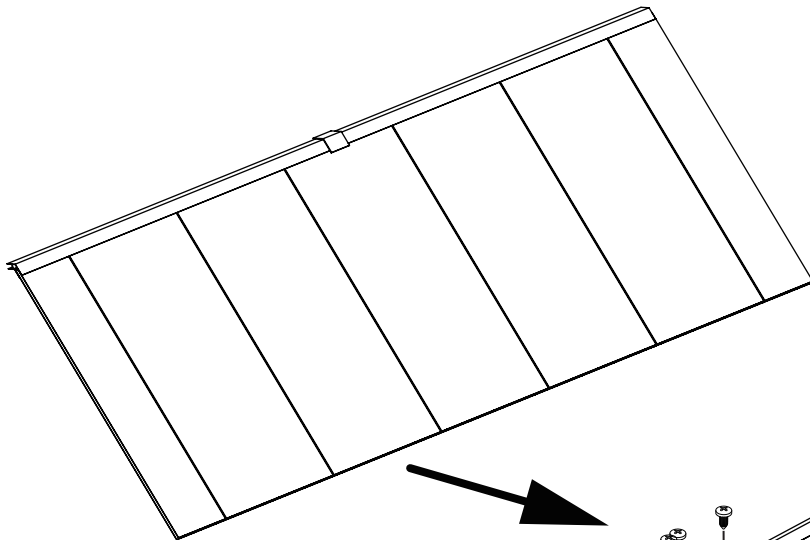


Use spatula for easier insertion of panel into profile

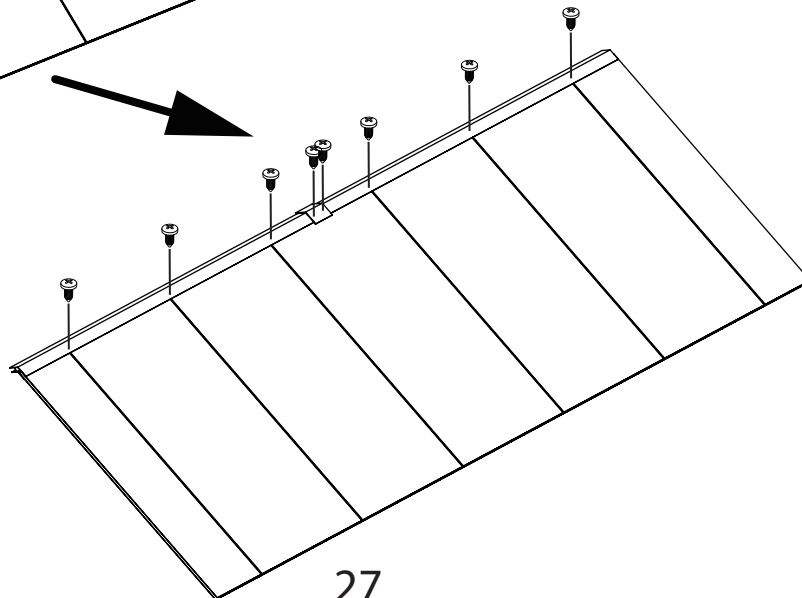


During installation, ensure that SJTC is properly seated in the slot/groove of GB02.

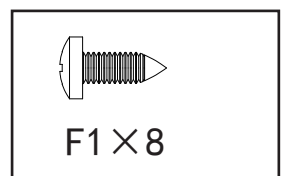
STEP 31



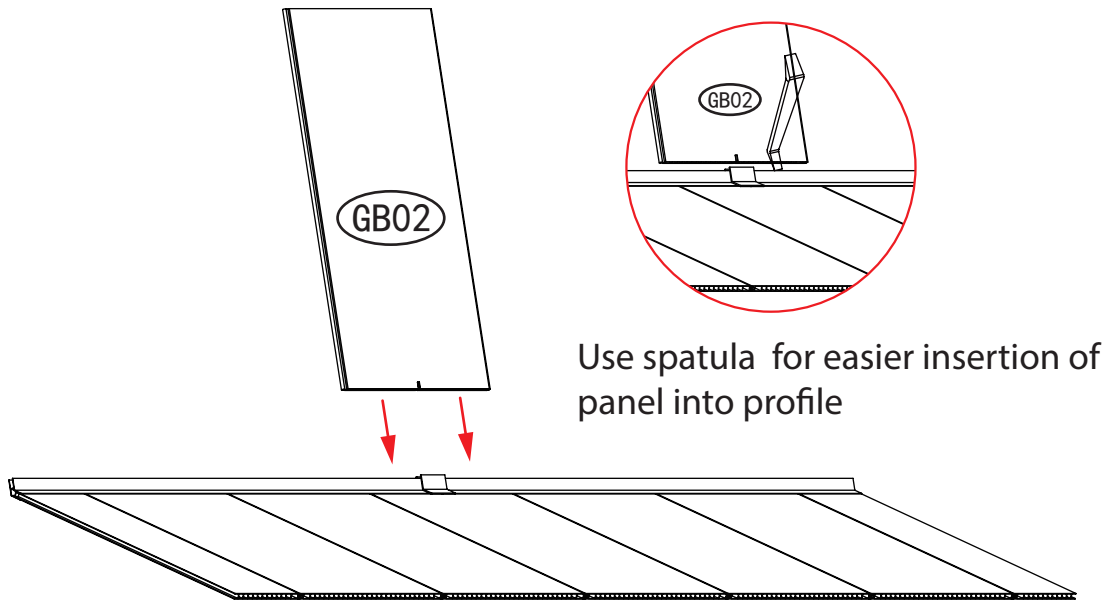
Screws must be driven into the structural rib of the joint.



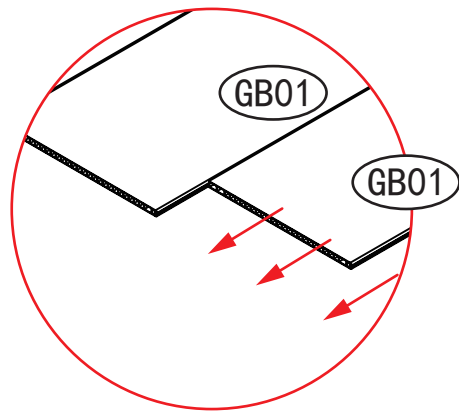
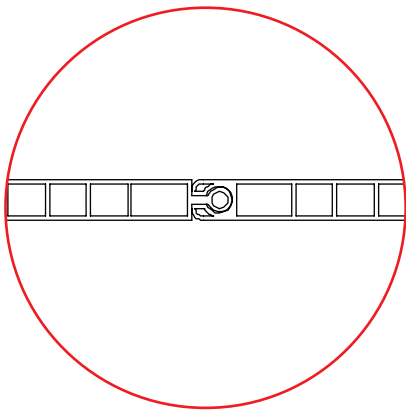
27



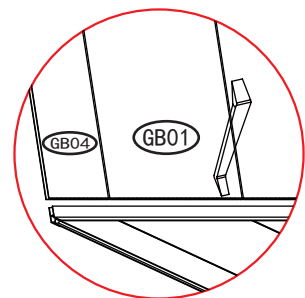
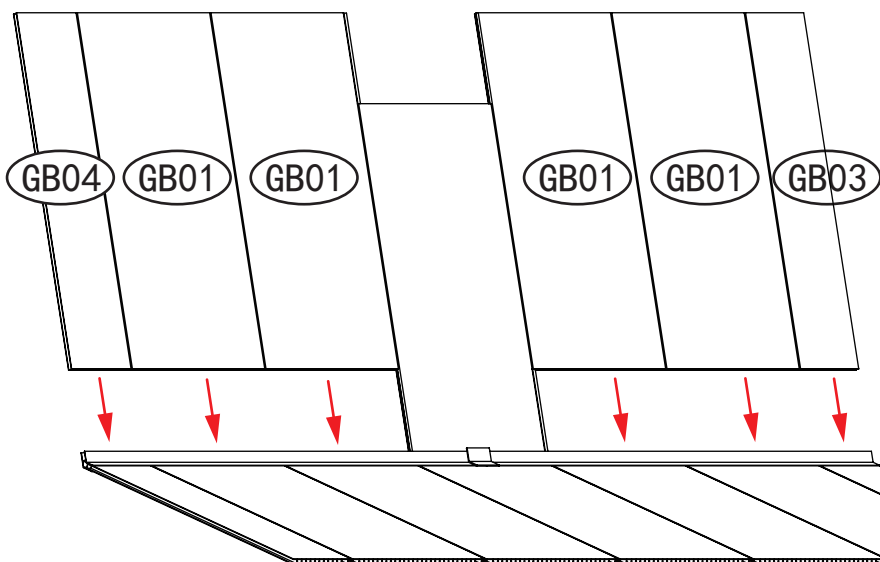
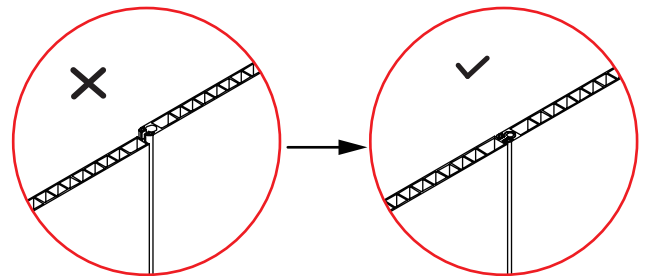
STEP 32



Use spatula for easier insertion of panel into profile

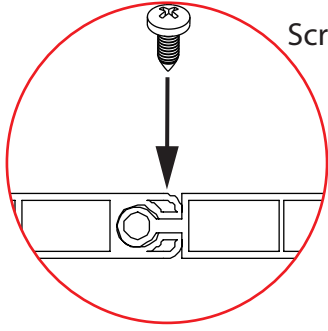


Pay attention to bottom levelness during installation.

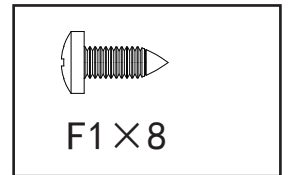
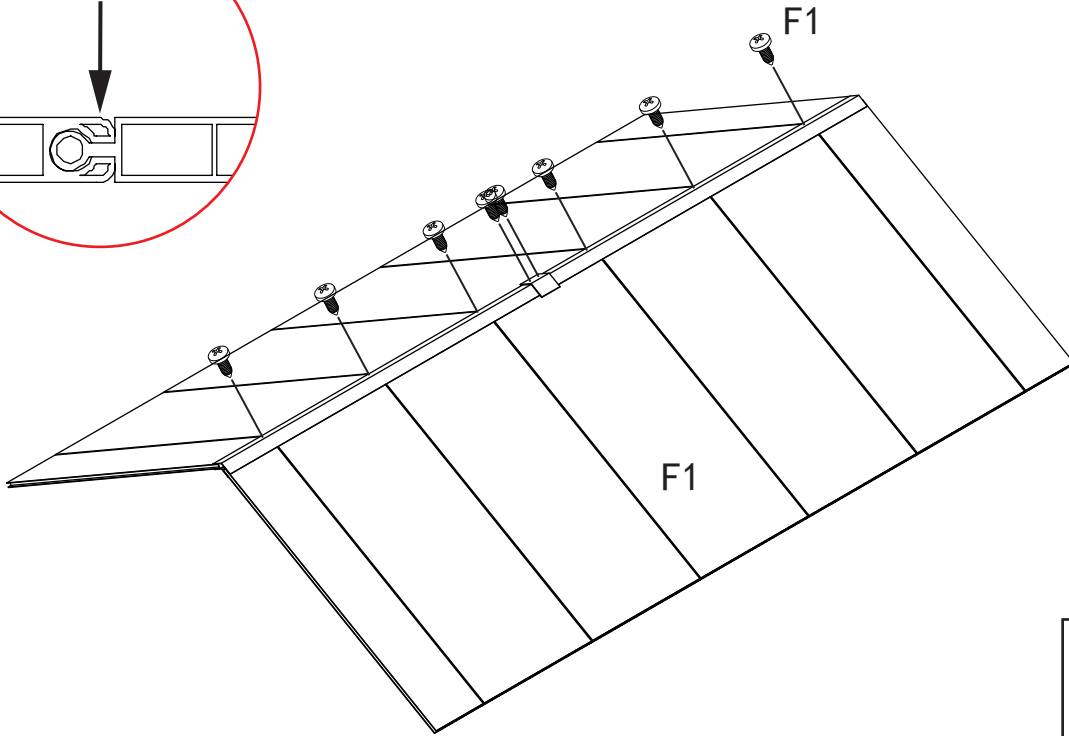


Use spatula for easier insertion of panel into profile

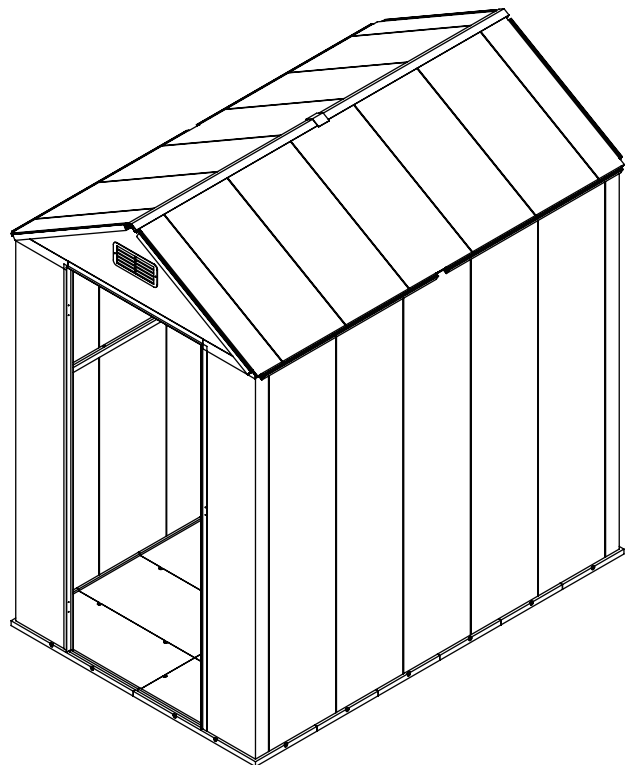
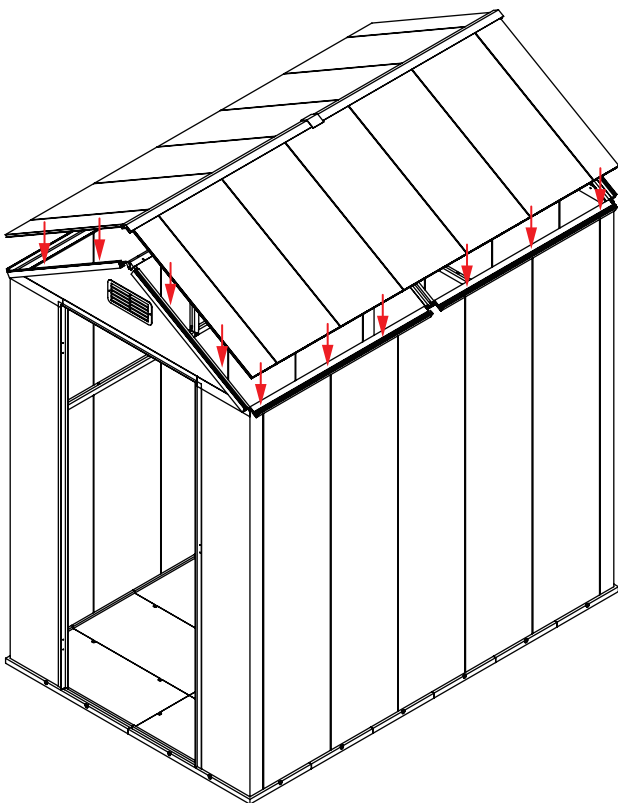
STEP 33



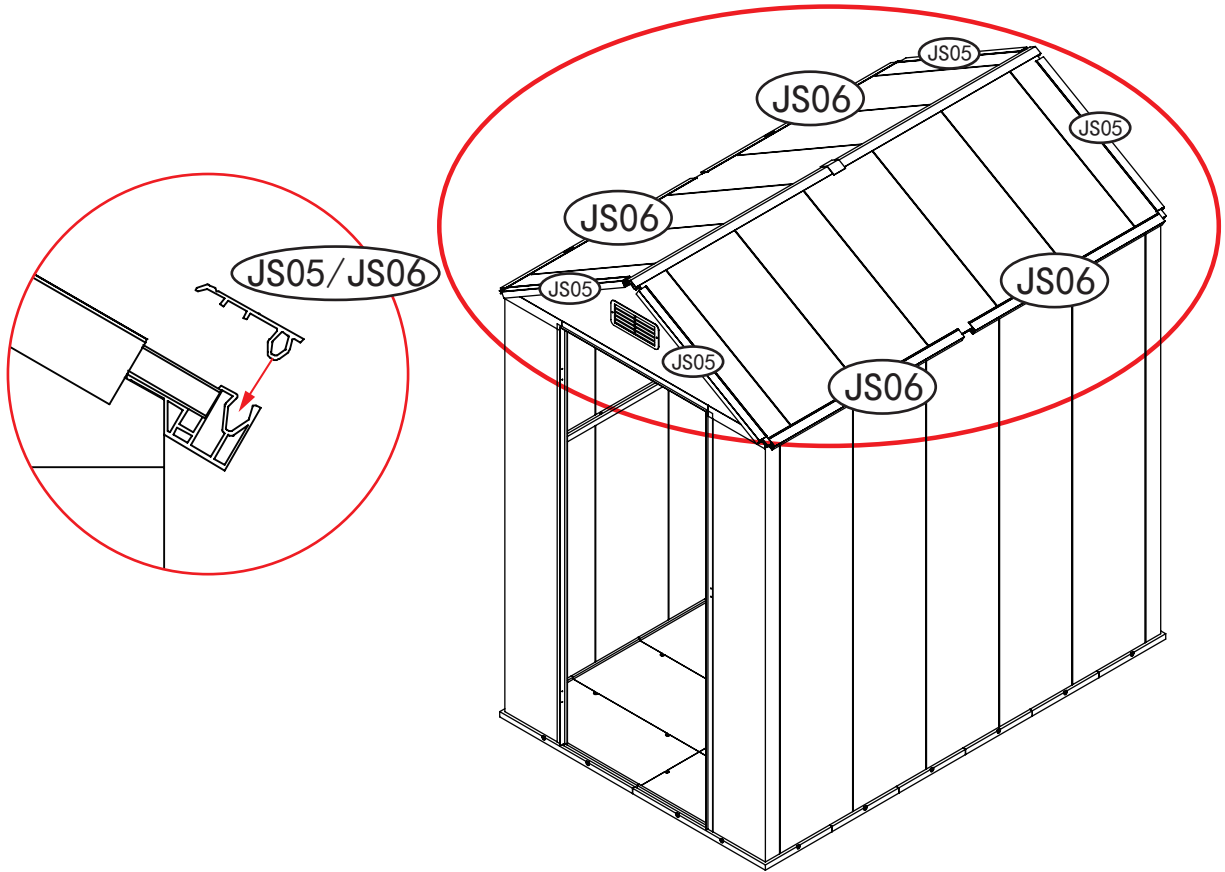
Screws must be driven into the structural rib of the joint.



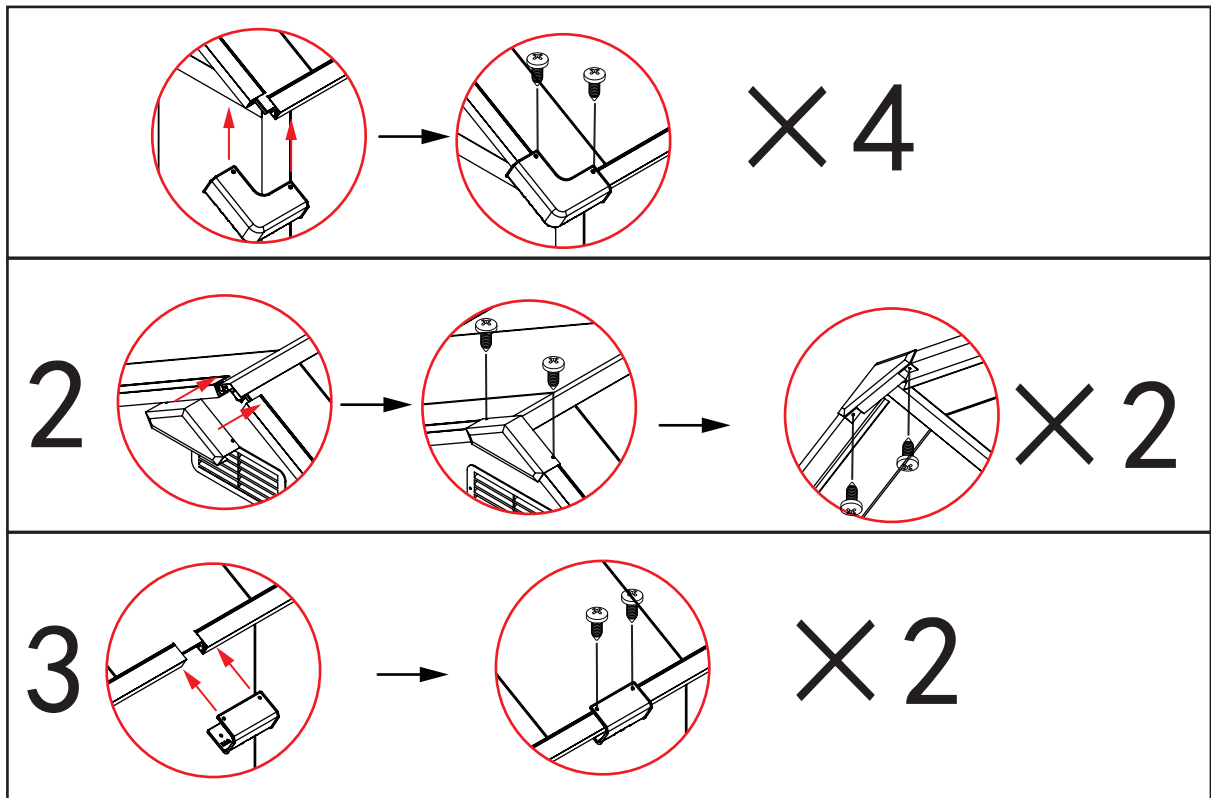
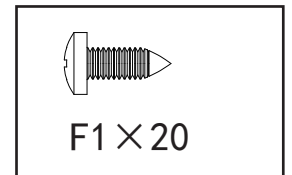
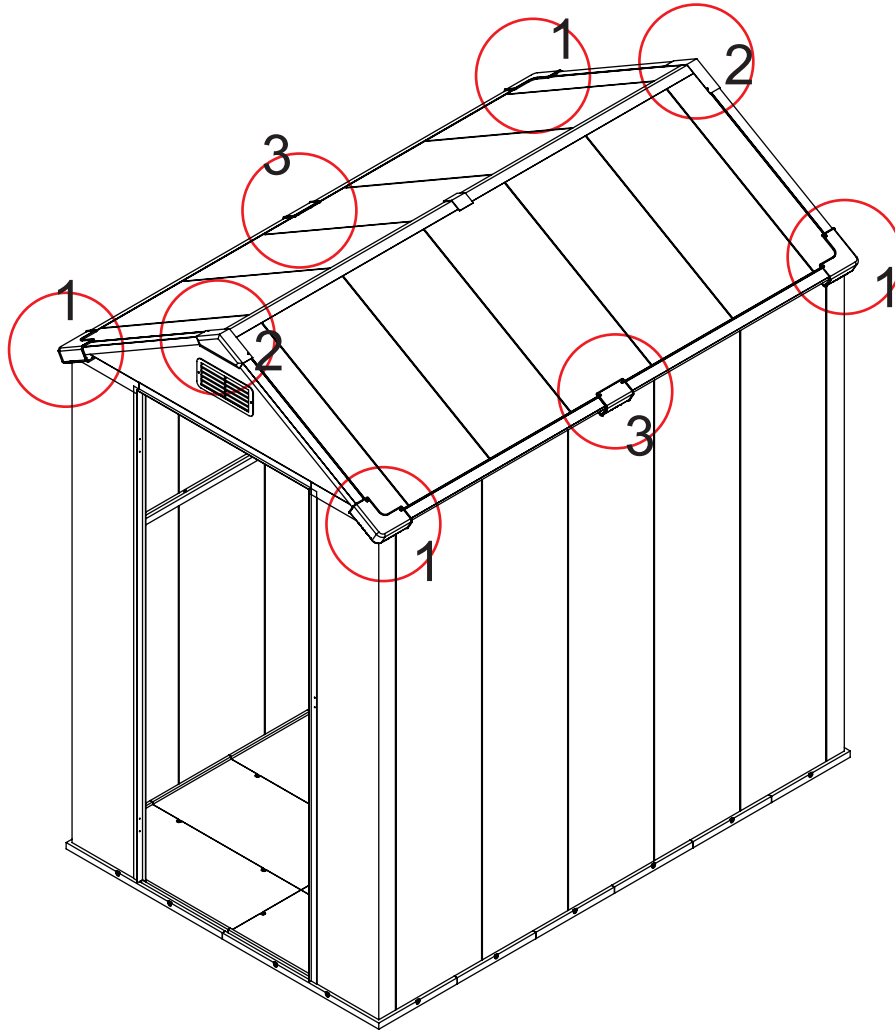
STEP 34



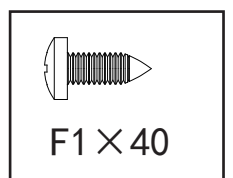
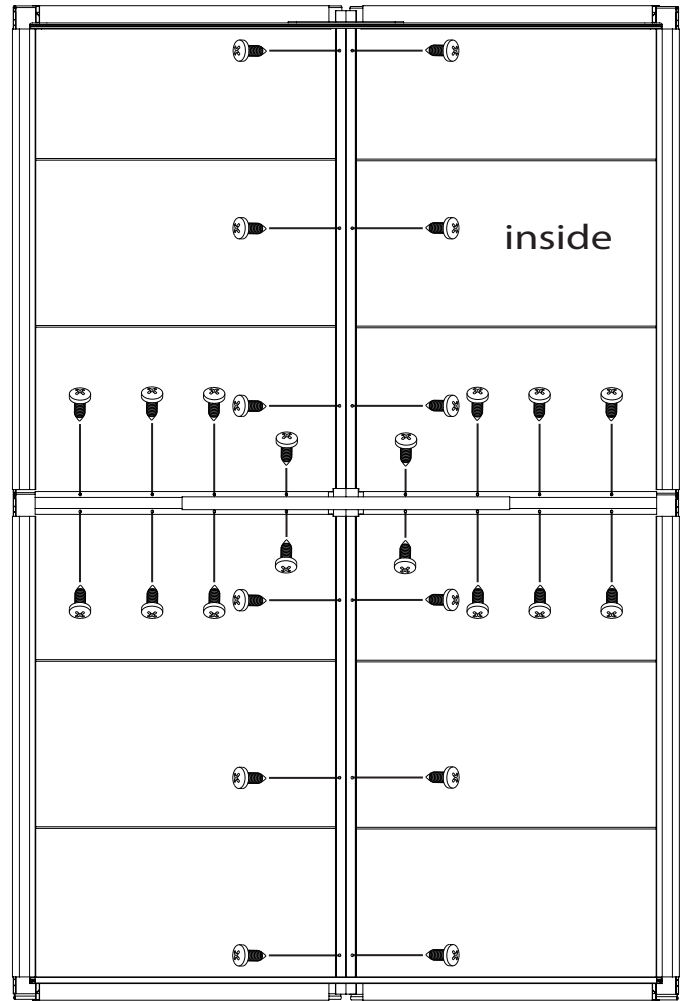
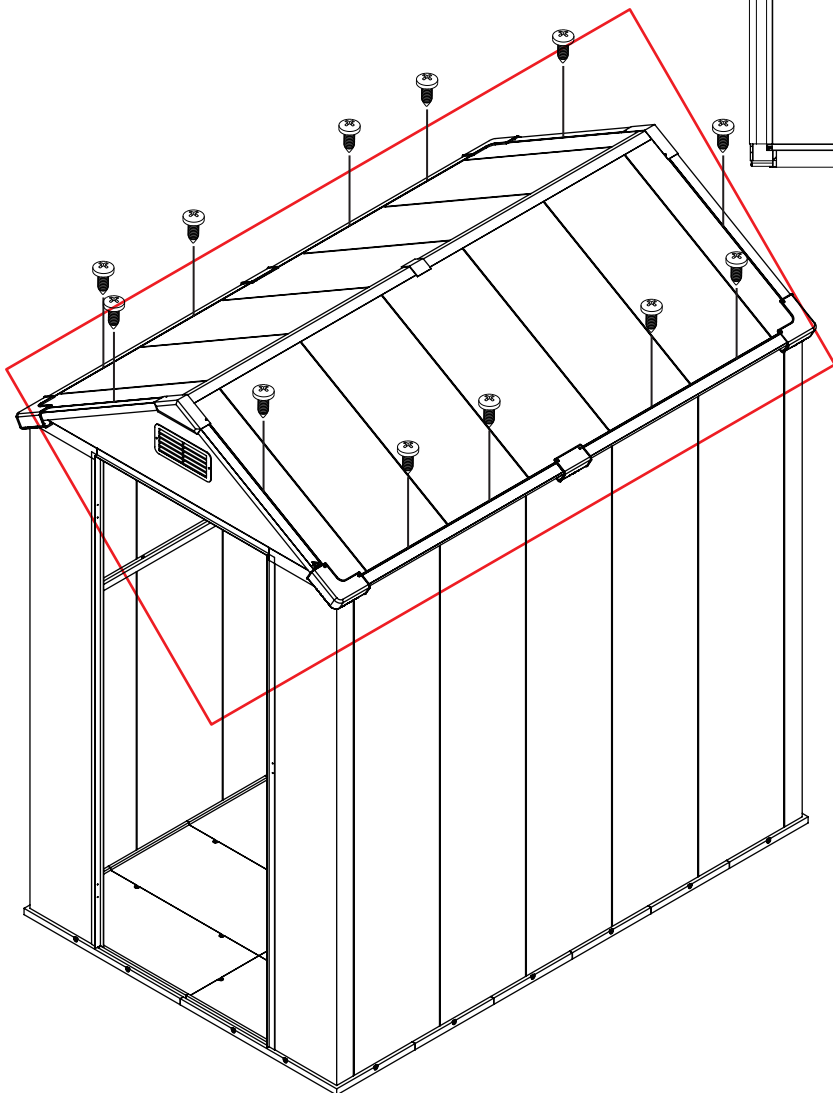
STEP 35



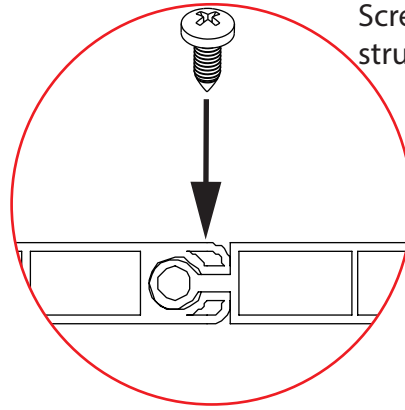
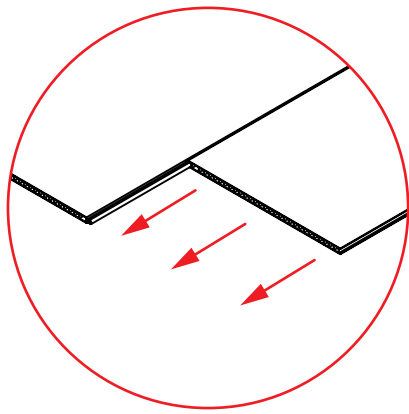
STEP 36



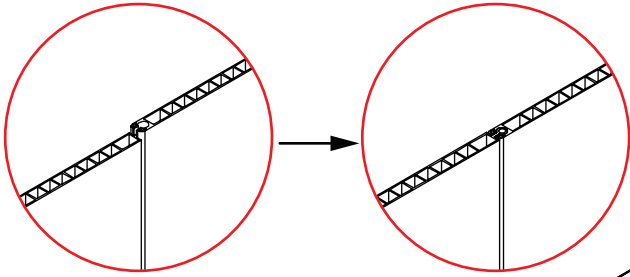
STEP 37



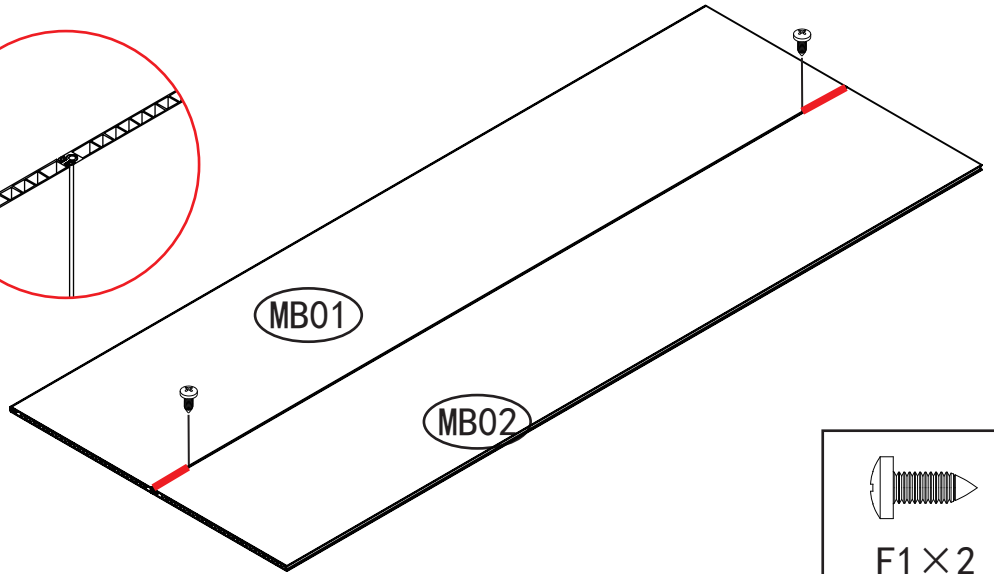
STEP 38



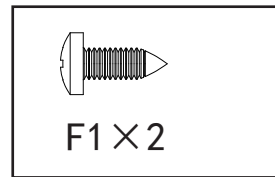
Screws must be driven into the structural rib of the joint.



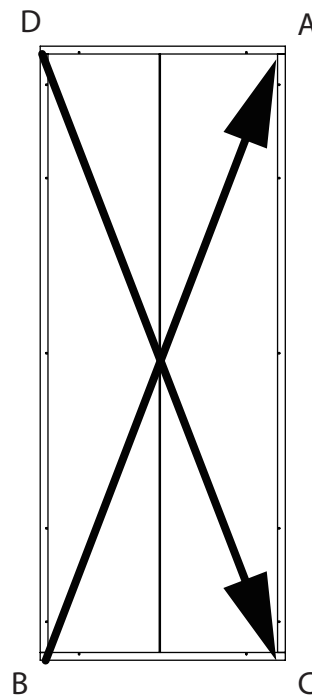
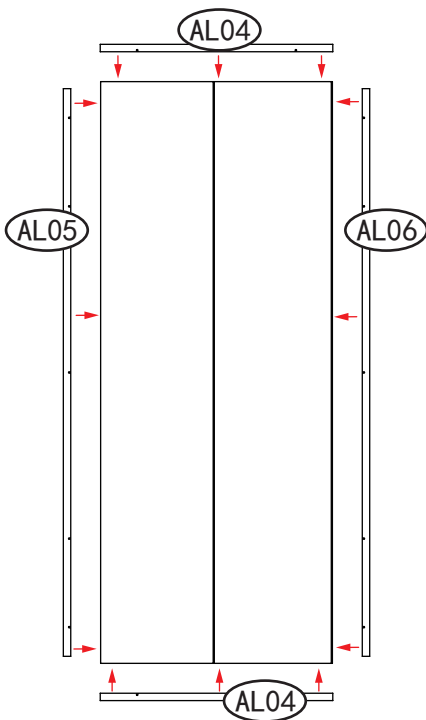
Pay attention to bottom levelness during installation.



Install screws 2 inches from the edge.

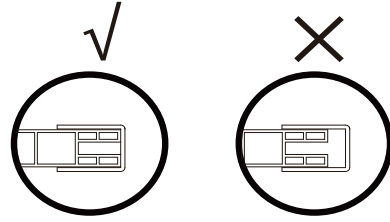
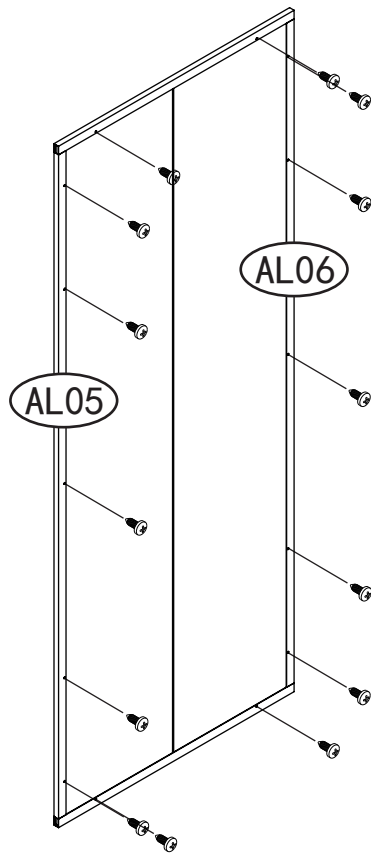


STEP 39



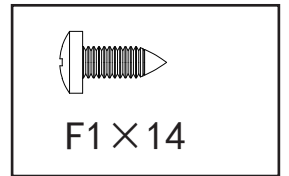
Ensure $AB = CD$ and that the diagonals are flush before installing the screws.

STEP 40

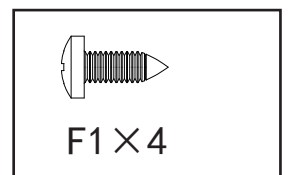
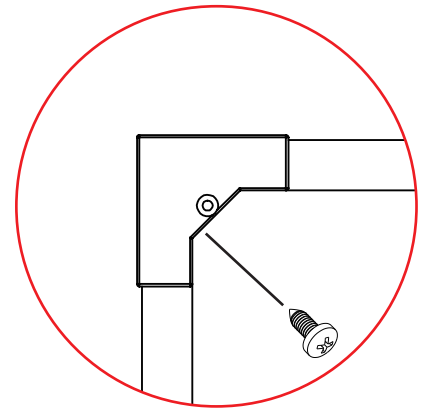
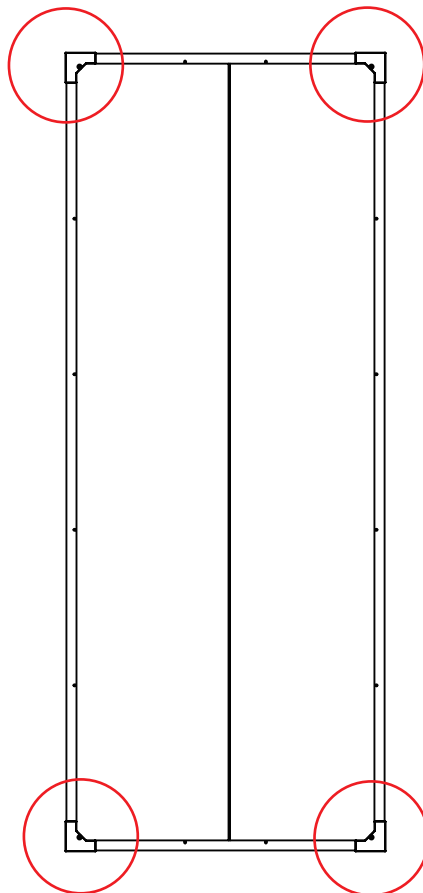
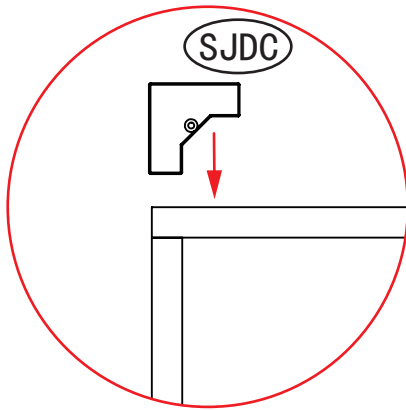


Fully fit the panel inside the profile

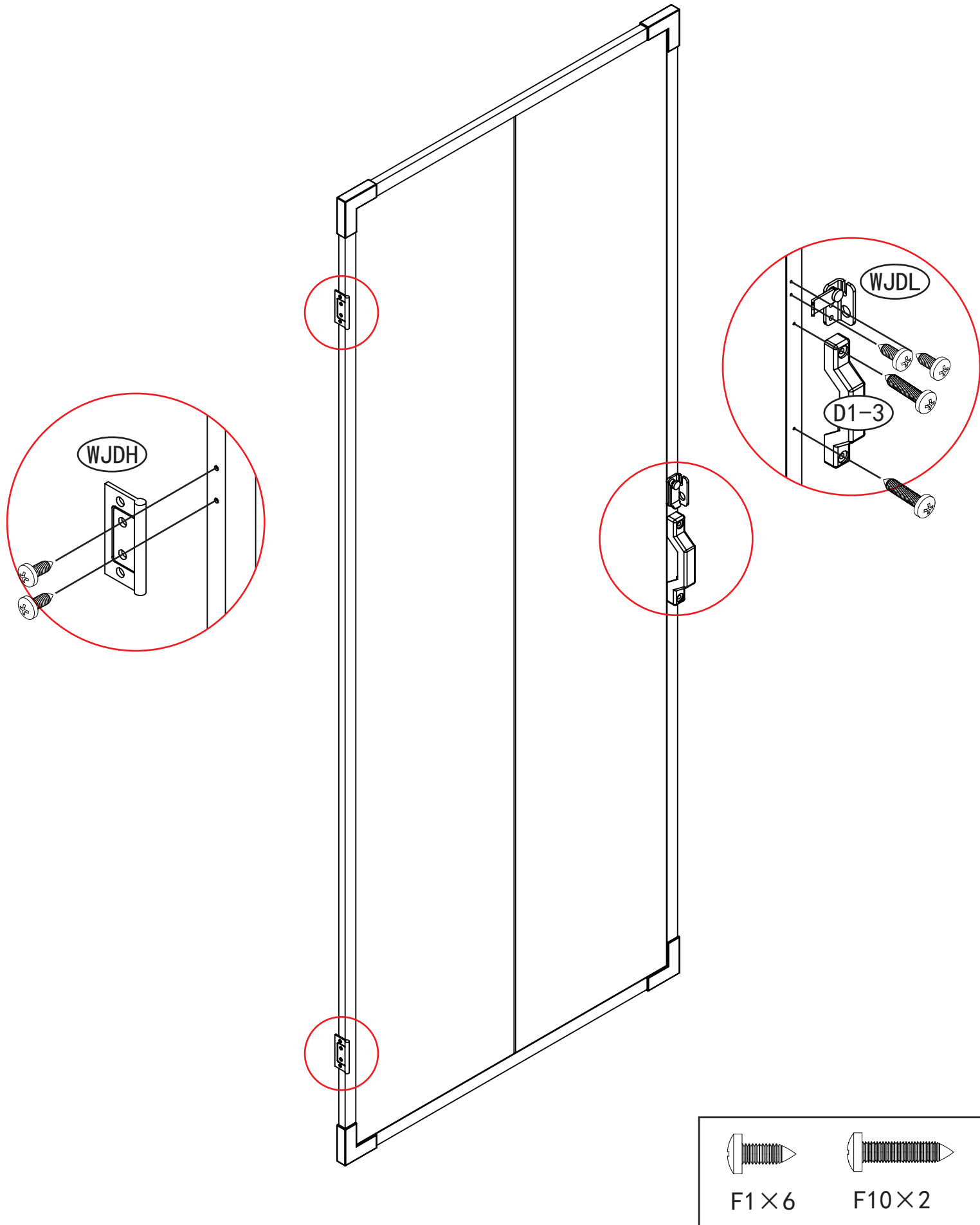
Note: Please measure the size of the door, with a height of 158.5cm and a width of 63.5cm. (The allowable error is within 0.2cm) After confirmation, proceed with the next steps.



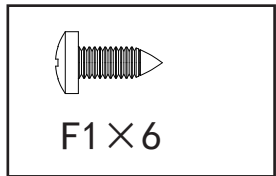
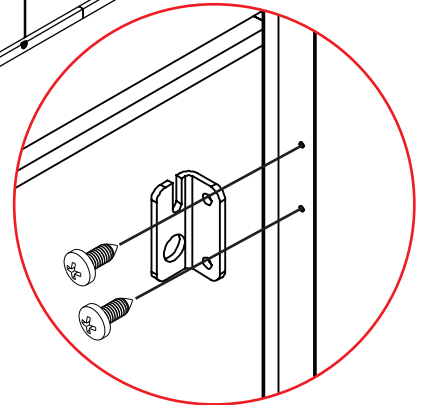
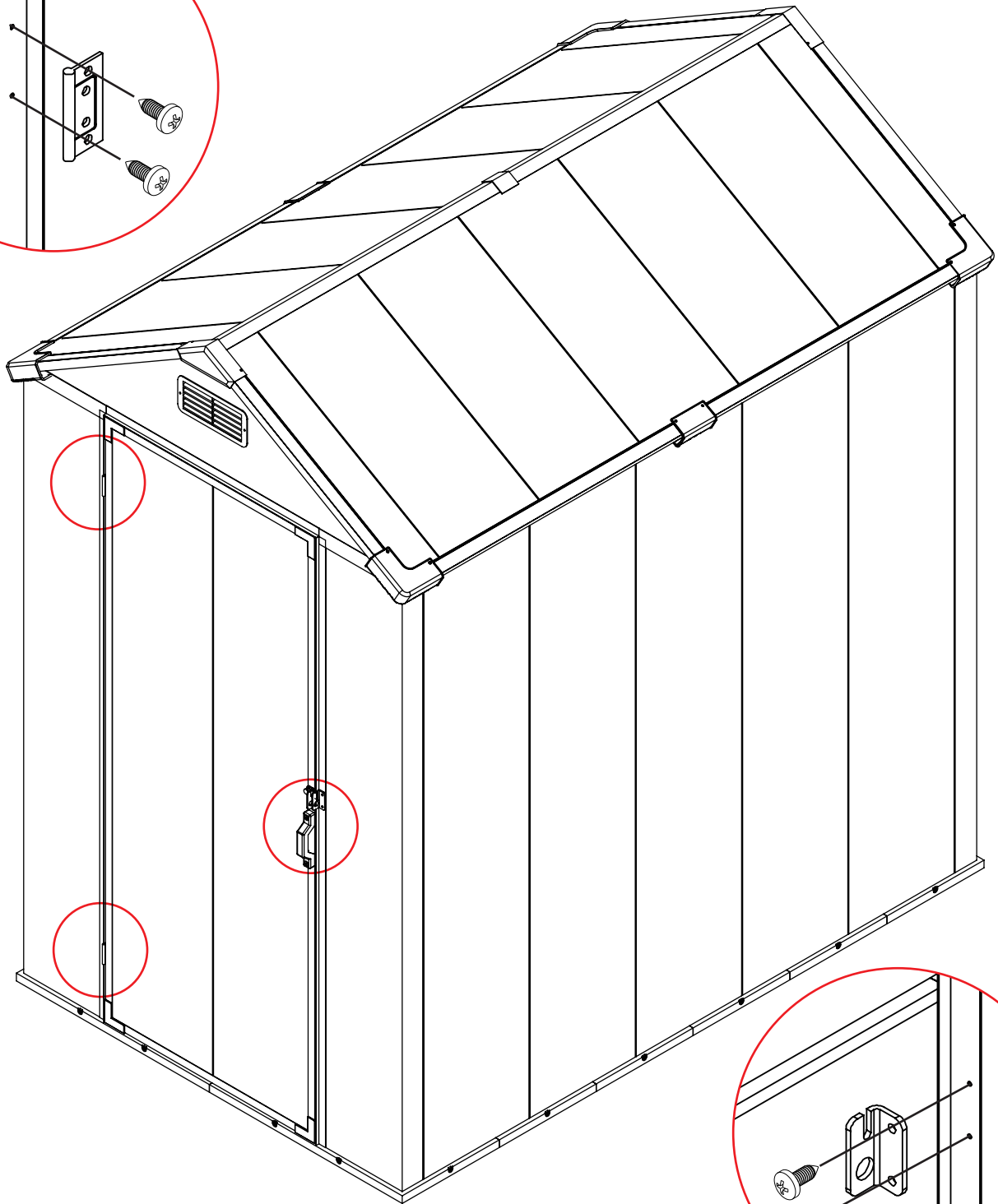
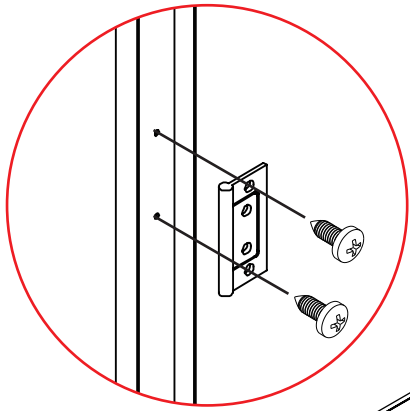
STEP 41



STEP 42



STEP 43



CARE & SAFETY

- In case of fire, do not attempt to extinguish any burning polypropylene with water
Unsuitable for storage of flammable or corrosive substances.
- It is of utmost importance to assemble all of the parts according to the directions.
Do not skip any step.
- Please consult your local authorities if any permits are required to erect shed.
- Periodically check shed to assure that it remains stable and that the site remains level.
- It is highly recommended to secure the shed to an immovable object or to the ground by drilling holes in the floor at the pre-marked locations and inserting proper screws into the ground (size: 1.9"-3" ,screws are not included).
- Wear safety-goggles and always follow the manufacturer's instructions when using power tools.
- Wash shed with garden hose or a mild detergent solution. Using a stiff brush or abrasive cleaner could damage shed.
- Hot items such as recently used grills, blowtorches, etc. must not be stored in the shed.
- Heavy articles should not be leaned against the walls, as this may cause distortion.
- Keep roof clean of snow and leaves. Heavy amounts of snow on roof can damage the shed making it unsafe to enter.
- Although wind direction varies, it is an important factor when taking into account where to place your shed. Therefore, it is recommended to reduce wind exposure of the shed in general, and the door side in particular.
- Keep doors closed and locked to prevent wind damage.
- Do not stand on the roof.