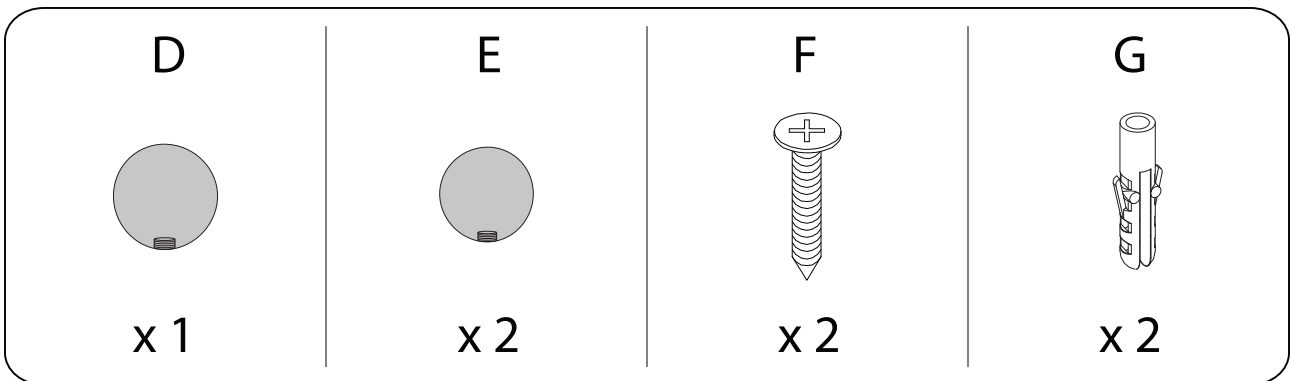
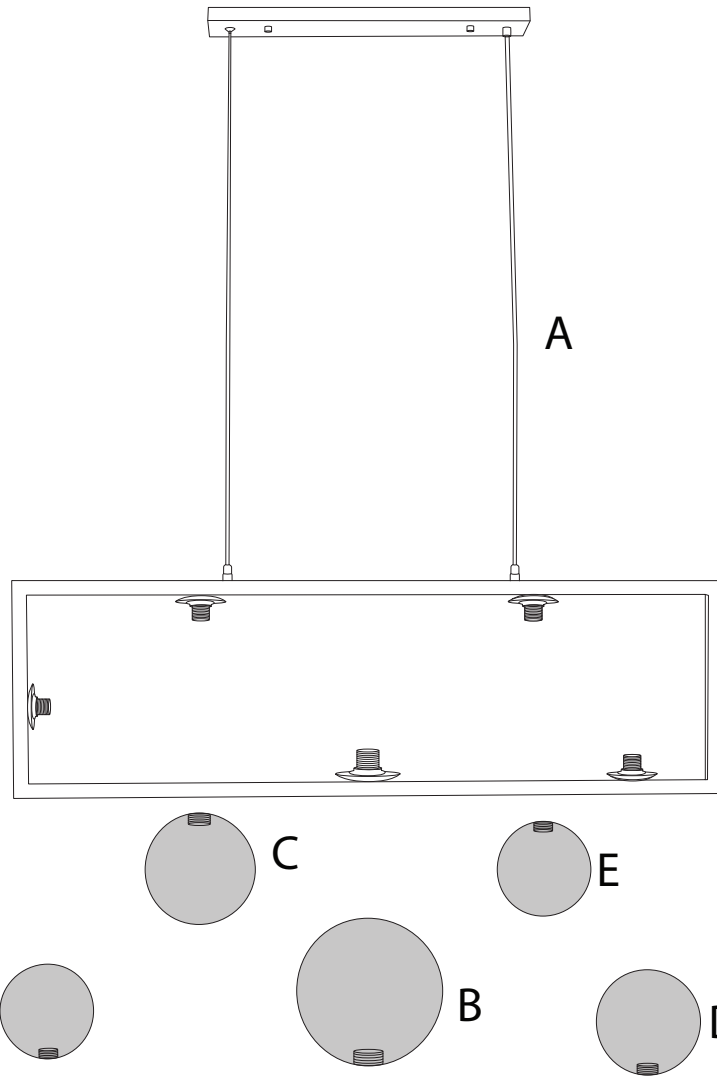
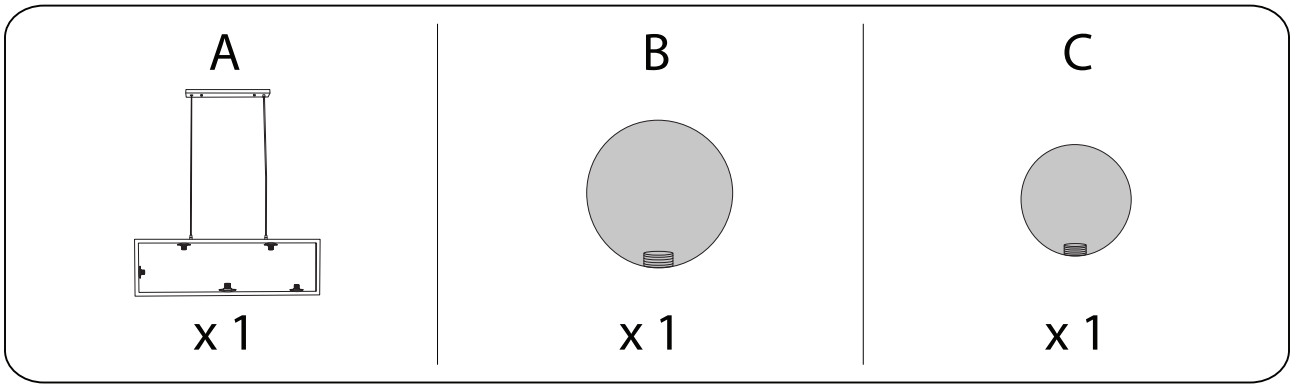
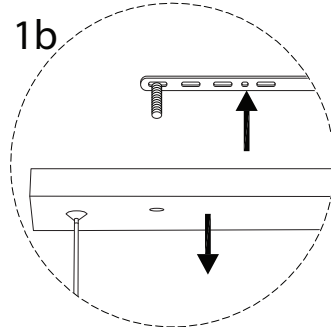
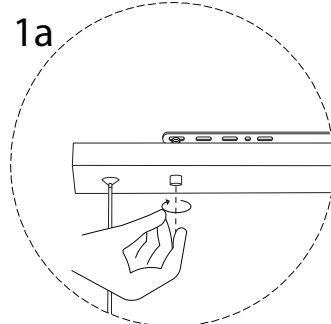
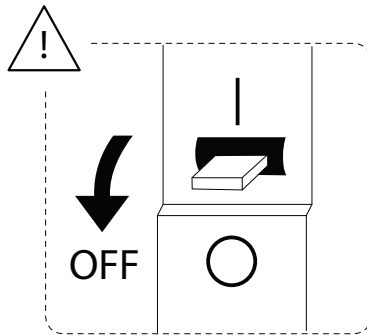
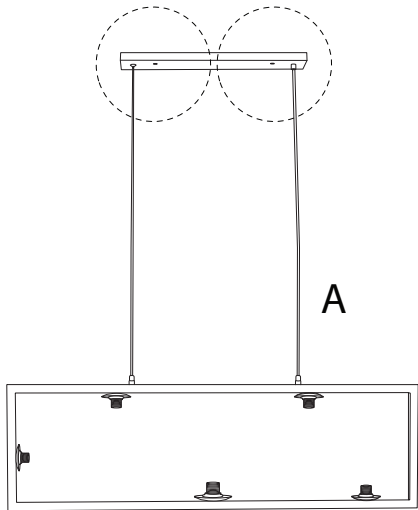
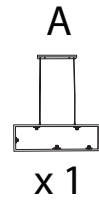


Diagram illustrating the required tools and safety warnings for the installation:

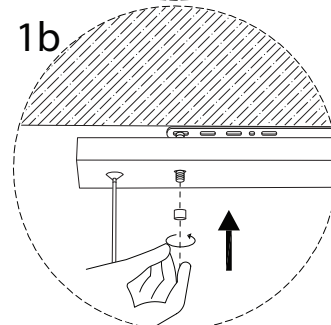
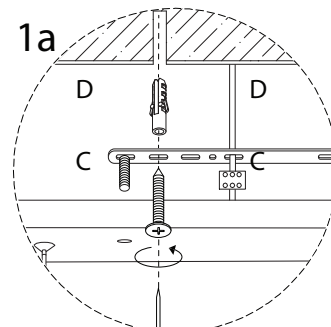
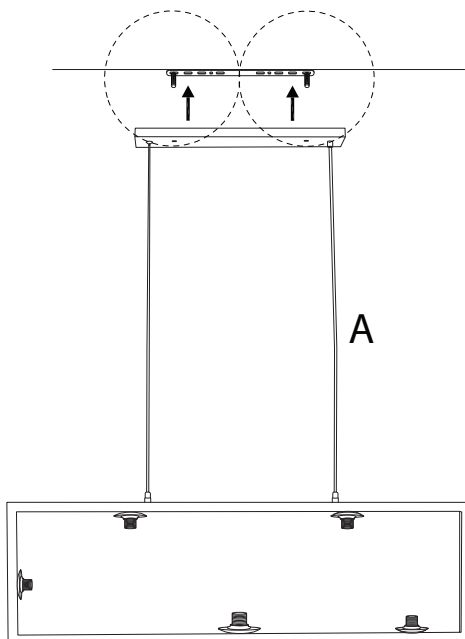
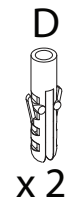
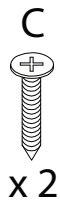
- Tools: A screwdriver, a drill, and a drill bit are shown in a circle.
- Warning: A triangle with an exclamation mark indicates a warning.
- Time: A clock icon indicates a 15-minute duration.
- Warning: A triangle with an exclamation mark and a lightning bolt symbol indicates a high-voltage warning.
- Personnel: A stick figure icon indicates that 2 people are required.



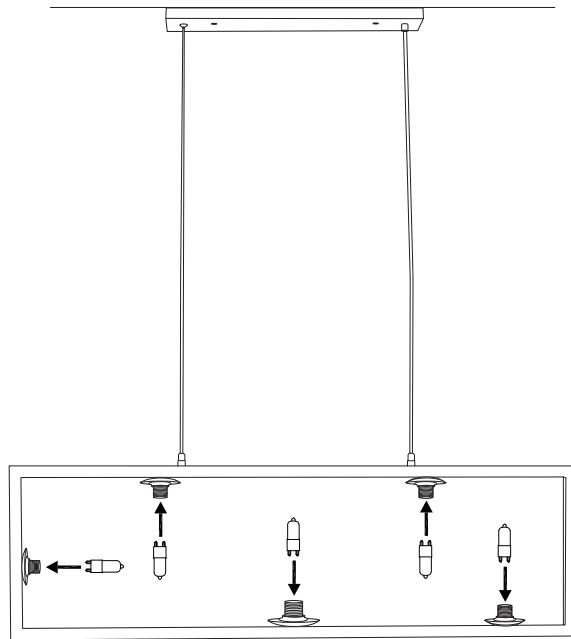
1



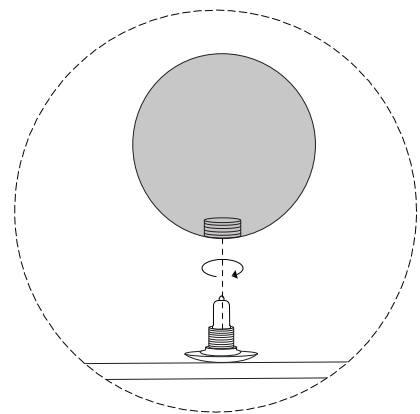
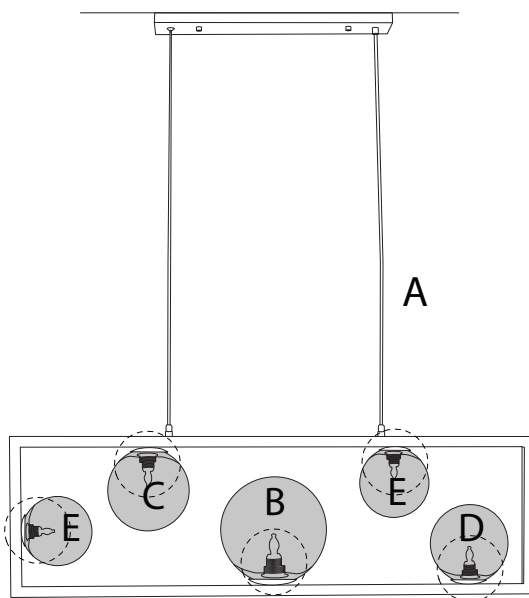
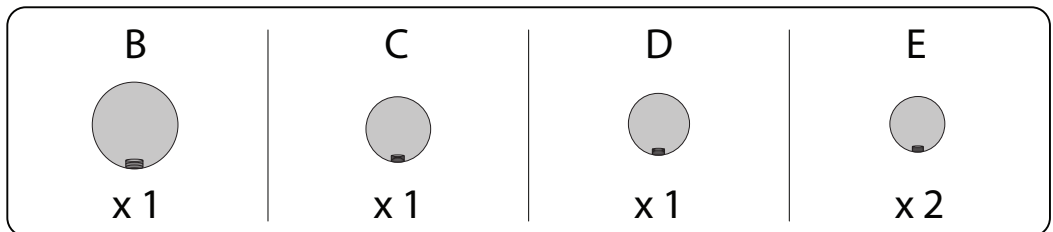
2



3



4



!

