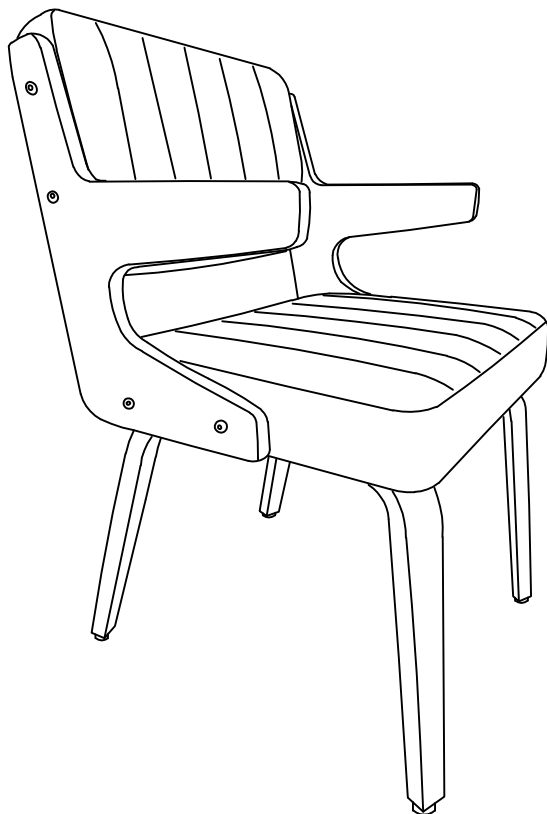


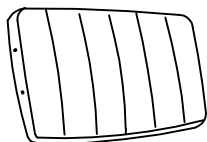
User Guide



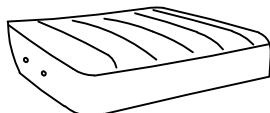
Bentwood Dining Chair

Components

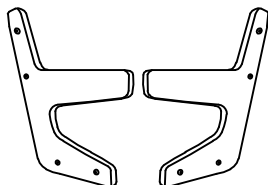
A Backrest(x1)



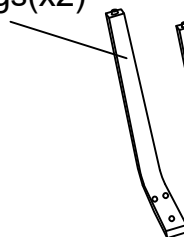
B Seat(x1)



C Armrest (x1pair)



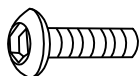
D Front legs(x2)



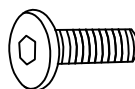
E Rear legs(x2)



F M6x40mm Screw (x 12)
(Spare screws x1)



G M6x30mm Screw (x 8)
(Spare screws x1)



H M5 Allen Key(x1)



I M6 Allen Key(x1)



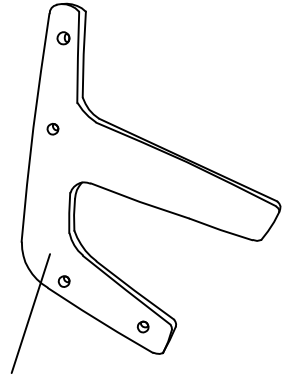
J Felt pads(x4)
(Spare felt pads x2)



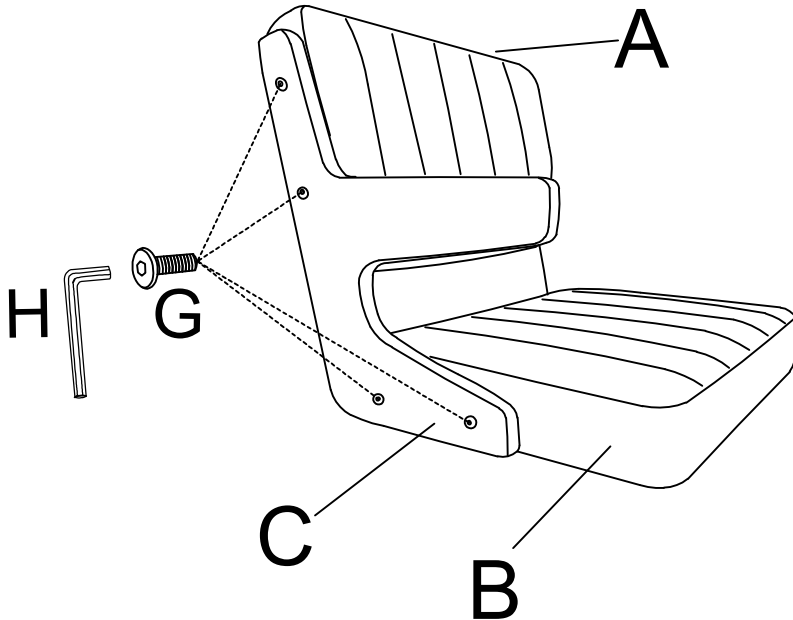
Assembly

Step1

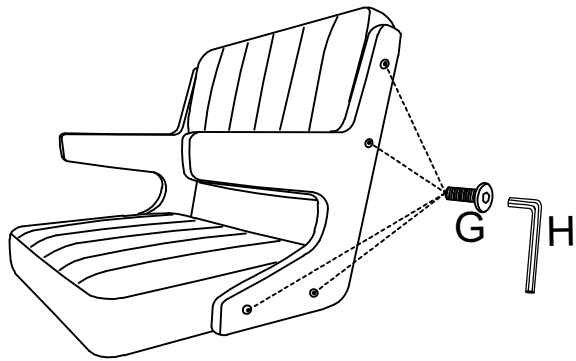
The side with the
countersunk hole
faces the **soft cushion**



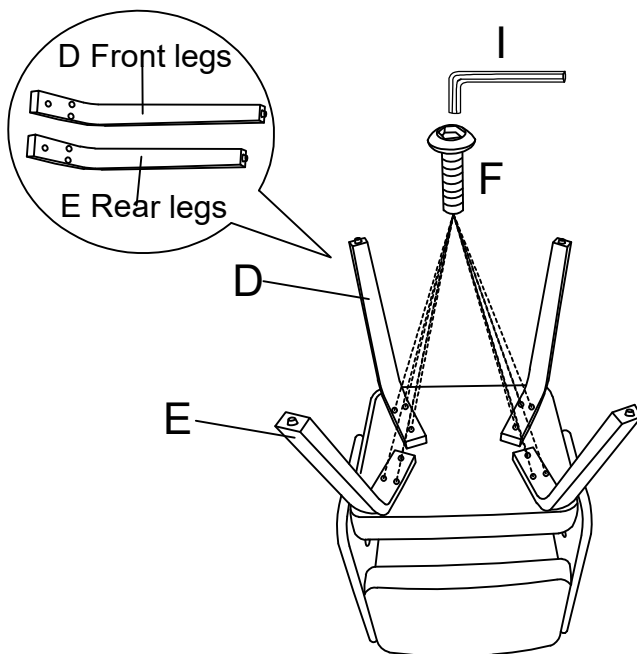
inside the armrest



Step2



Step3



Step4 Attach felt pads under the armrests for anti-slip purposes; this also allows the chair to be hung up.

