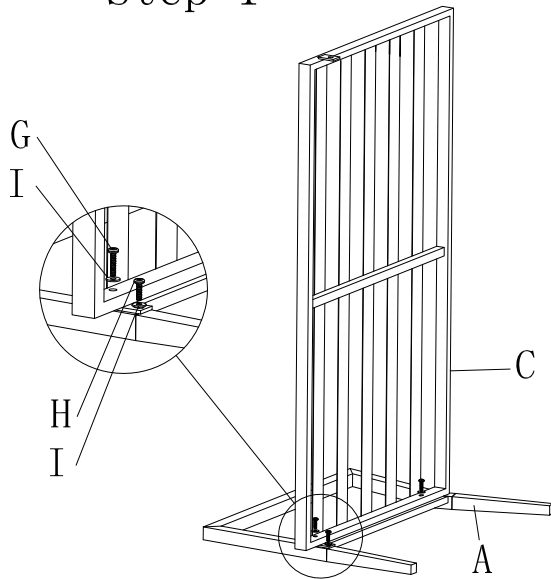


ASSEMBLING INSTRUCTION

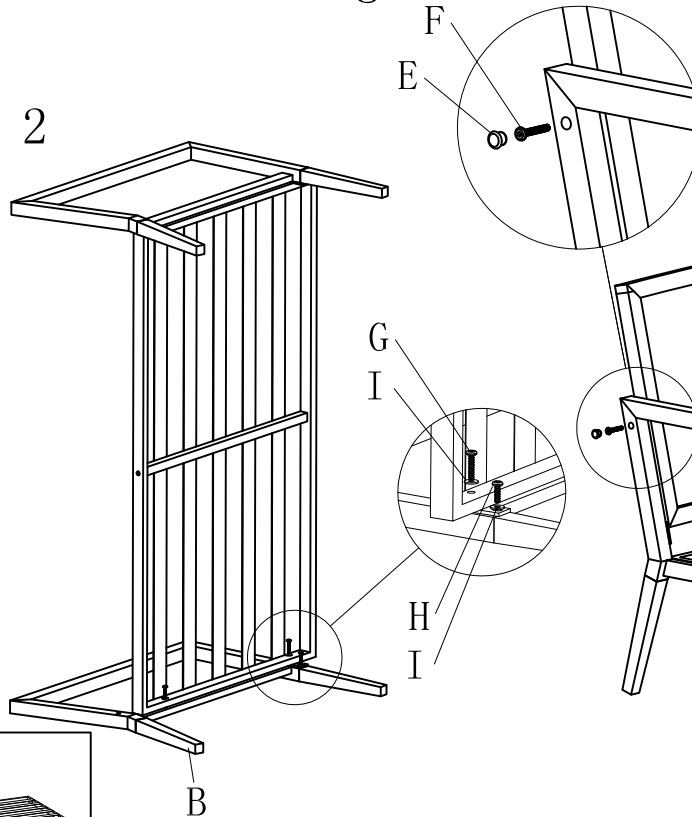
CAUTION

- A. Check the package having all items shown in the parts list
- B. Read the instruction before assembling

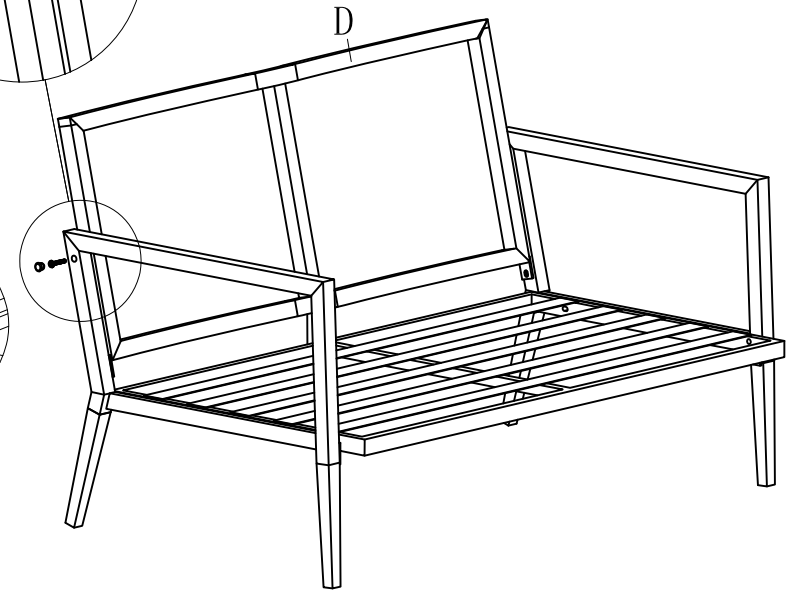
Step 1




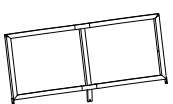








Step 2



Step 3



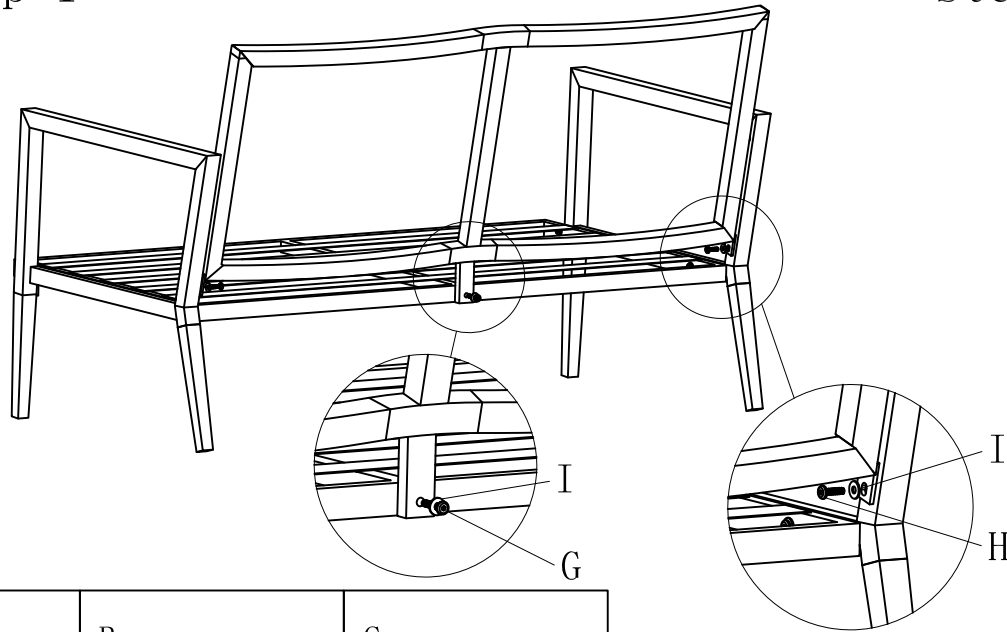
<p>A</p>  <p>1PC</p>	<p>B</p>  <p>1PC</p>	<p>C</p>  <p>1PC</p>				
<p>D</p>  <p>1PC</p>	<p>E</p>  <p>2PCS</p>	<p>F</p>  <p>2PCS M6*35</p>	<p>G</p>  <p>5PCS M6*30</p>	<p>H</p>  <p>4PCS M6*20</p>	<p>I</p>  <p>9PCS</p>	<p>J</p>  <p>1PC</p>

ASSEMBLING INSTRUCTION

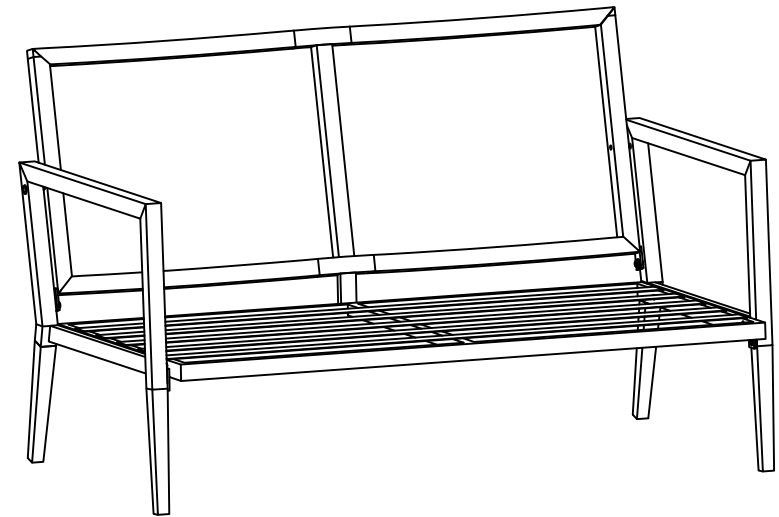
CAUTION



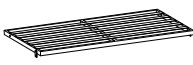
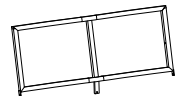






- A. Check the package having all items shown in the parts list
- B. Read the instruction before assembling

Step 1



Step 2



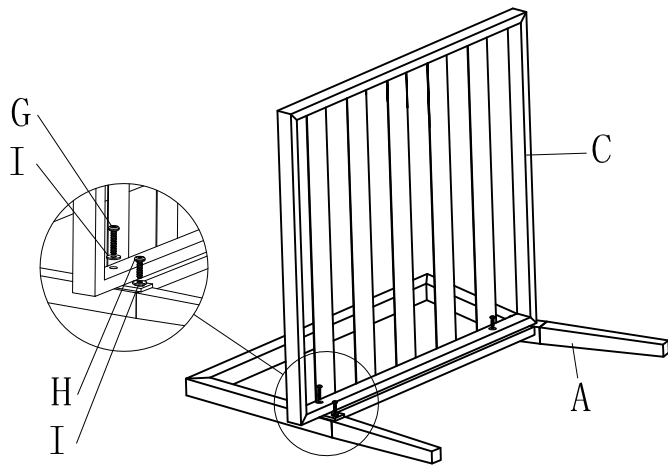
<p>A</p>  <p>1PC</p>	<p>B</p>  <p>1PC</p>	<p>C</p>  <p>1PC</p>				
<p>D</p>  <p>1PC</p>	<p>E</p>  <p>2PCS</p>	<p>F</p>  <p>2PCS M6*35</p>	<p>G</p>  <p>5PCS M6*30</p>	<p>H</p>  <p>4PCS M6*20</p>	<p>I</p>  <p>9PCS</p>	<p>J</p>  <p>1PC</p>

ASSEMBLING INSTRUCTION

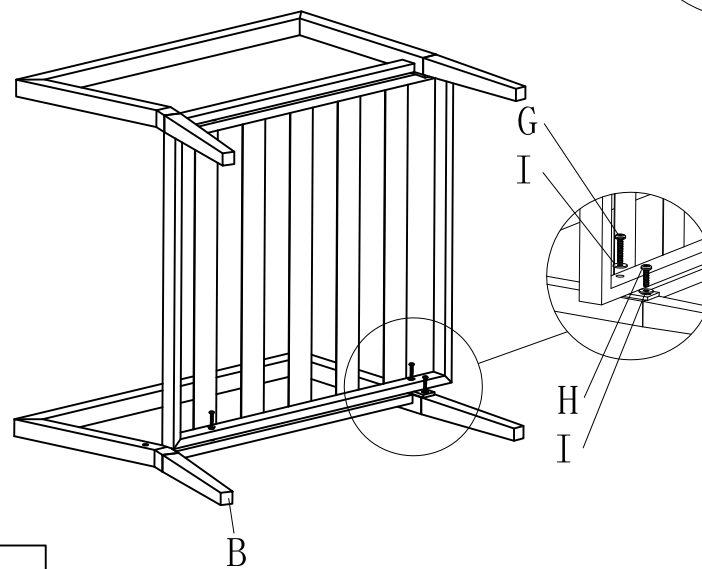
CAUTION

- A. Check the package having all items shown in the parts list
- B. Read the instruction before assembling

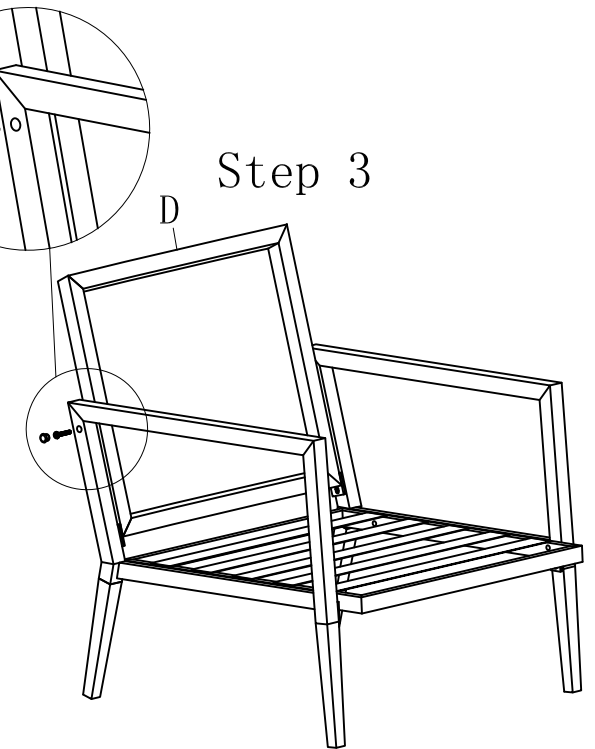
Step 1




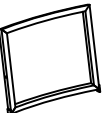
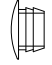

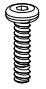





Step 2



Step 3



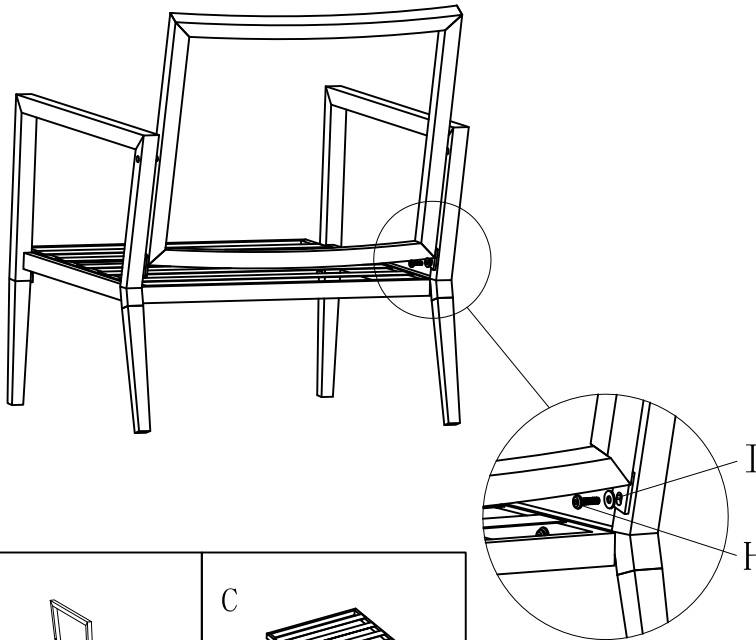
<p>A</p>  <p>1PC</p>	<p>B</p>  <p>1PC</p>	<p>C</p>  <p>1PC</p>				
<p>D</p>  <p>1PC</p>	<p>E</p>  <p>2PCS</p>	<p>F</p>  <p>2PCS M6*35</p>	<p>G</p>  <p>4PCS M6*30</p>	<p>H</p>  <p>4PCS M6*20</p>	<p>I</p>  <p>8PCS</p>	<p>J</p>  <p>1PC</p>

ASSEMBLING INSTRUCTION

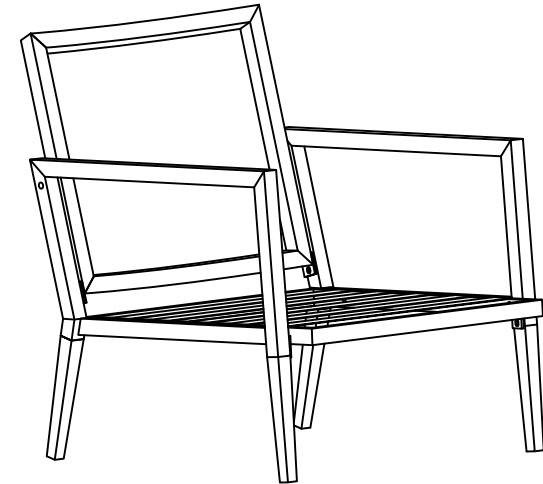
CAUTION




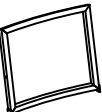






- A. Check the package having all items shown in the parts list
- B. Read the instruction before assembling

Step 1



Step 2



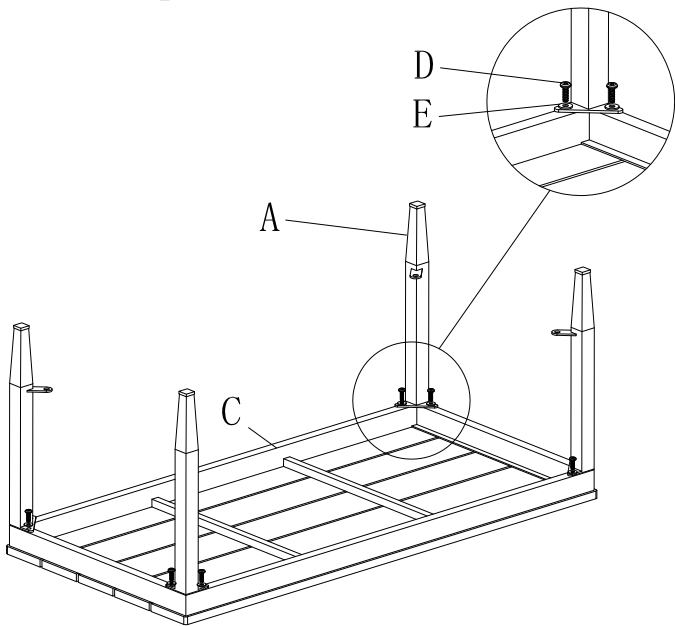
<p>A</p>  <p>1PC</p>	<p>B</p>  <p>1PC</p>	<p>C</p>  <p>1PC</p>				
<p>D</p>  <p>1PC</p>	<p>E</p>  <p>2PCS</p>	<p>F</p>  <p>2PCS M6*35</p>	<p>G</p>  <p>4PCS M6*30</p>	<p>H</p>  <p>4PCS M6*20</p>	<p>I</p>  <p>8PCS</p>	<p>J</p>  <p>1PC</p>

ASSEMBLING INSTRUCTION

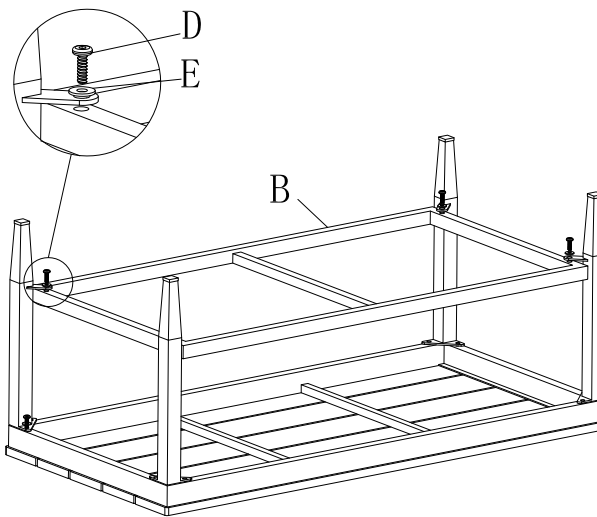
CAUTION

- A. Check the package having all items shown in the parts list
- B. Read the instruction before assembling

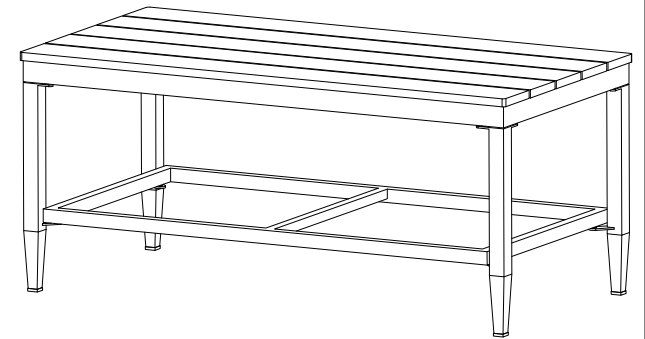
Step 1



Step 2



Step 3



A



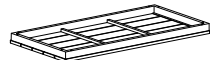
4PCS

B



1PC

C



1PC

D



12PCS M6*20

E



12PCS

F



1PC