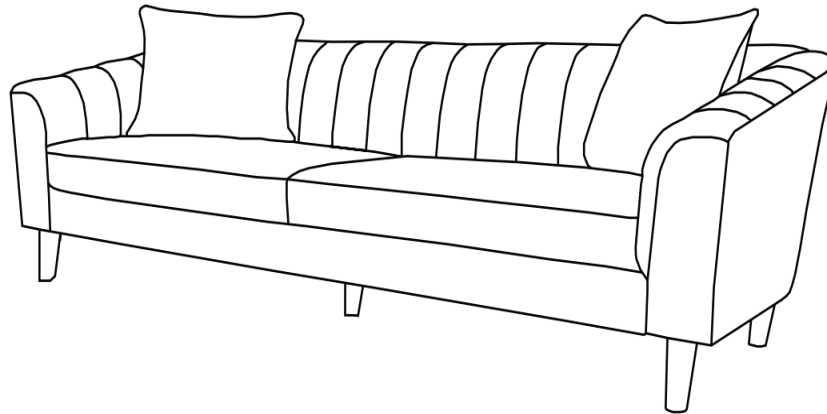


# Assembly Instructions

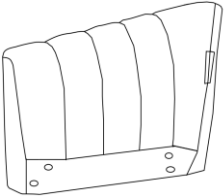
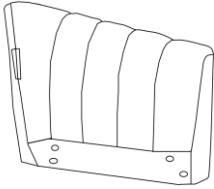
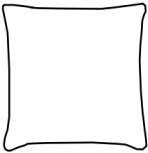

**Caution: You must read this before you proceed**

## Sofa





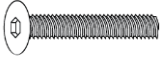


### Parts List

Label	Picture	Description	QTY(pc)
A	A line drawing of a rectangular seat base. It has a flat top surface and a slightly raised edge. There are several small rectangular cutouts and circular holes along the bottom edge.	Seat Base	1
B	A line drawing of a curved backrest. It has a series of vertical stripes. There are two circular holes at the bottom edge.	Backrest	1
C	A line drawing of a rectangular seat cushion. It has a simple, flat top surface and a slightly raised edge.	Seat Cushion	2

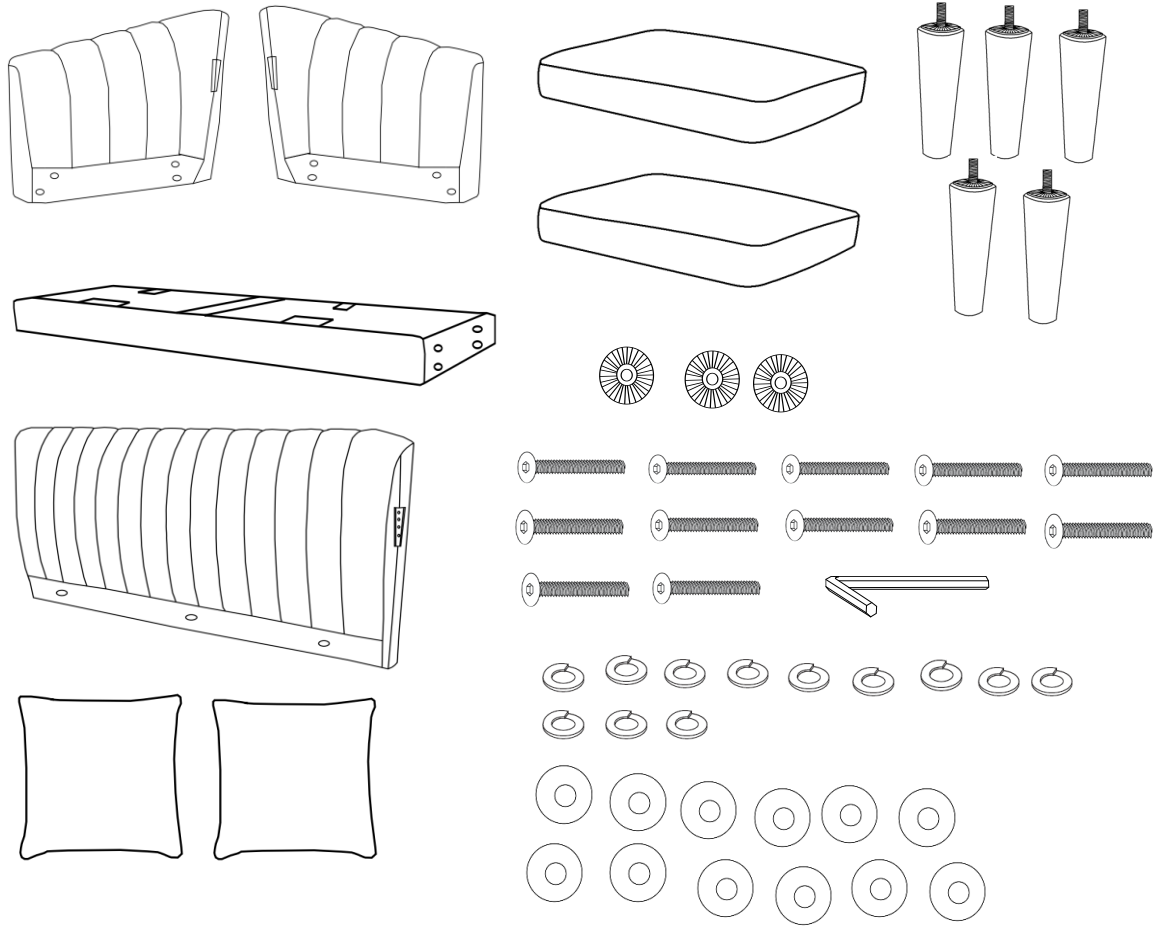
D		Left Arm	1
E		Right Arm	1
F		Pillow	2
G		Leg with 1 Plastic Gasket	5

## Hardware List

Label	Picture	Description	QTY
①		Plastic Gasket	3
②		Allen Key	1
③		Spring Ring	12
④		Flat Gasket	12
⑤		bolt(M8*60mm)	12

# Assembly Preparation

Before  
Beginning  
Assembly:



- Read instructions, cover to cover-



- Have 2 adults on hand for assembly-



- Do not assemble on flooring or carpet-

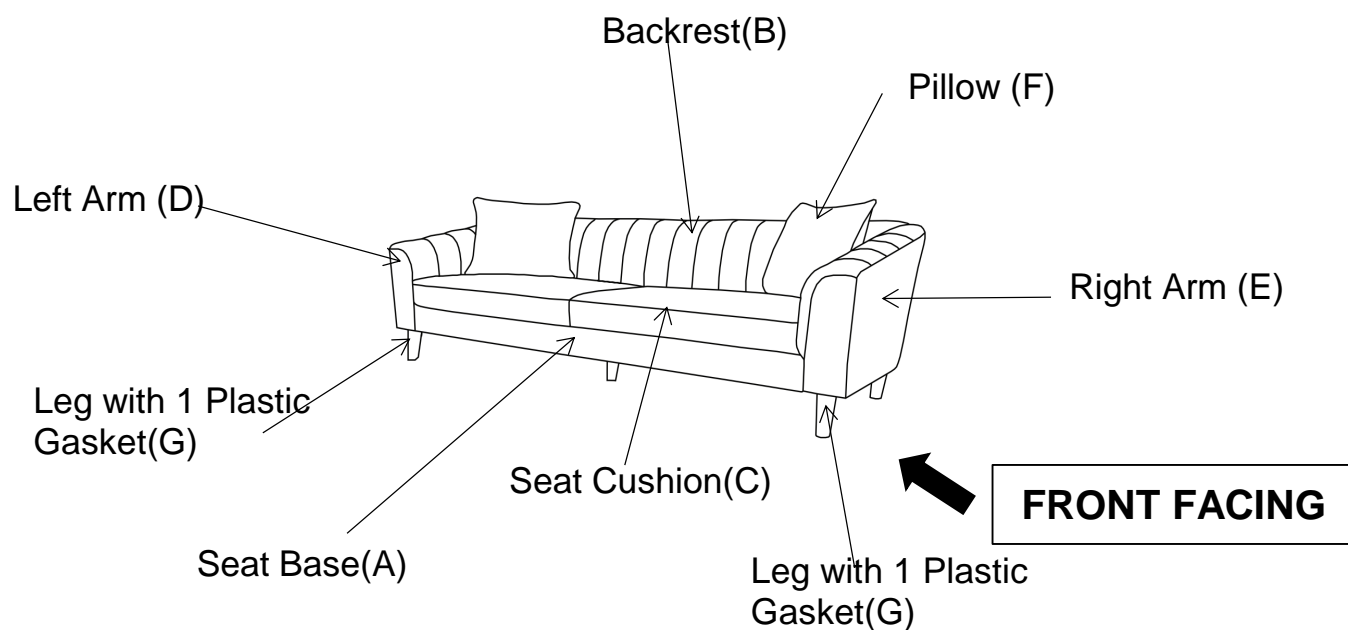


- Assemble on a clean non-marring surface (packing foam)-



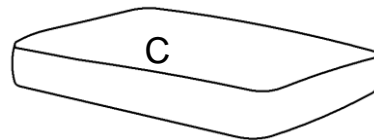
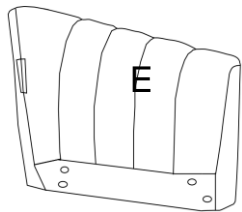
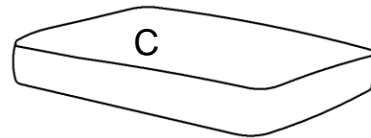
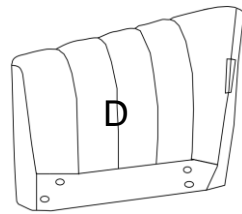
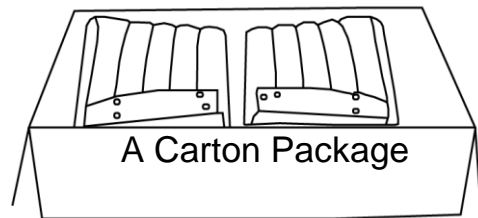
- Save all packaging until finished-

# Assembly Steps



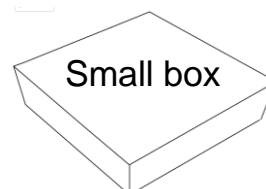
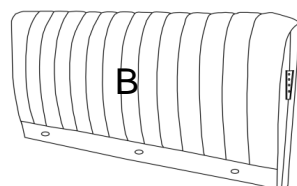
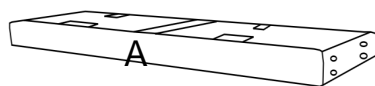
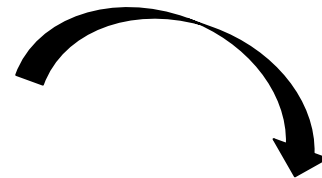
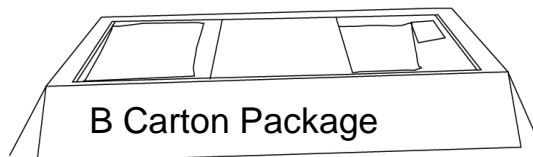
This Sofa has multiple parts and may require about 30 minutes to assemble. To give you an overview of the Sofa parts, the above picture is to help you put the various parts into perspective. Please read through the instructions below to familiarise yourself with the parts and steps before assembly.

## Step 1



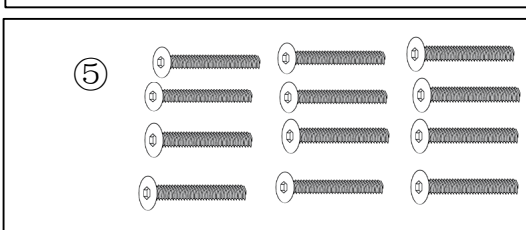
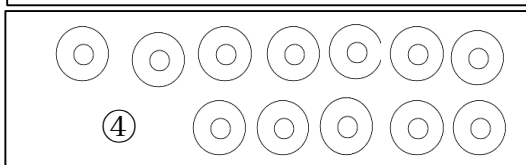
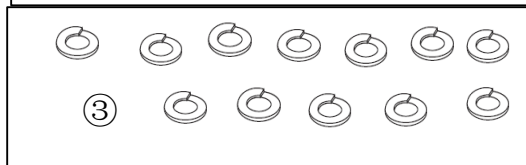
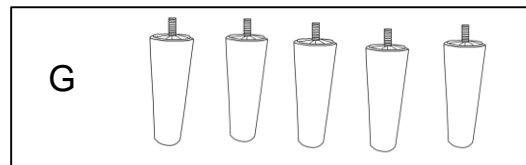
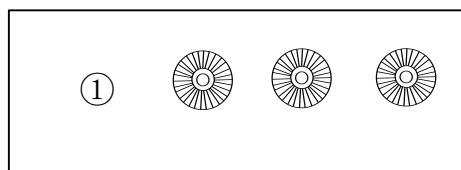
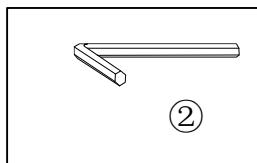
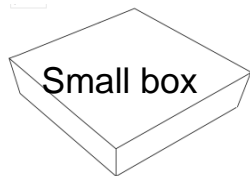
Take the Left Arm (D), Right Arm(E),and Seat Cousins(C) out from the carton "A" and place them on a clean, non-marring surface.

## Step 2



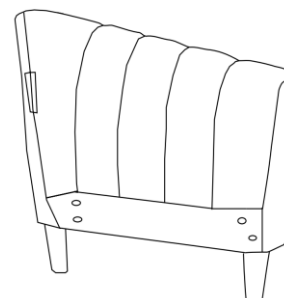
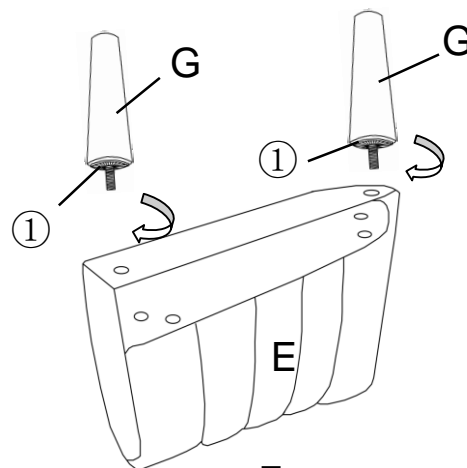
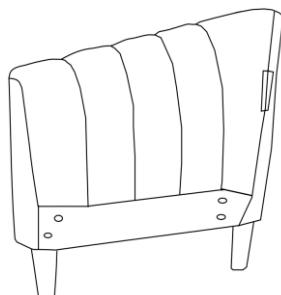
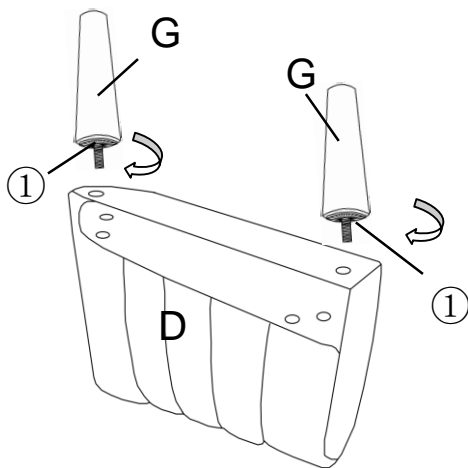
Take out the Seat Base(A), Backrest(B), Pillows(F) and a small box from the Carton "B", place them on a clean, non-marring surface.

### Step 3



Open the Small Box to take out the 5 Wooden Legs (G) and Hardwares.

### Step 4

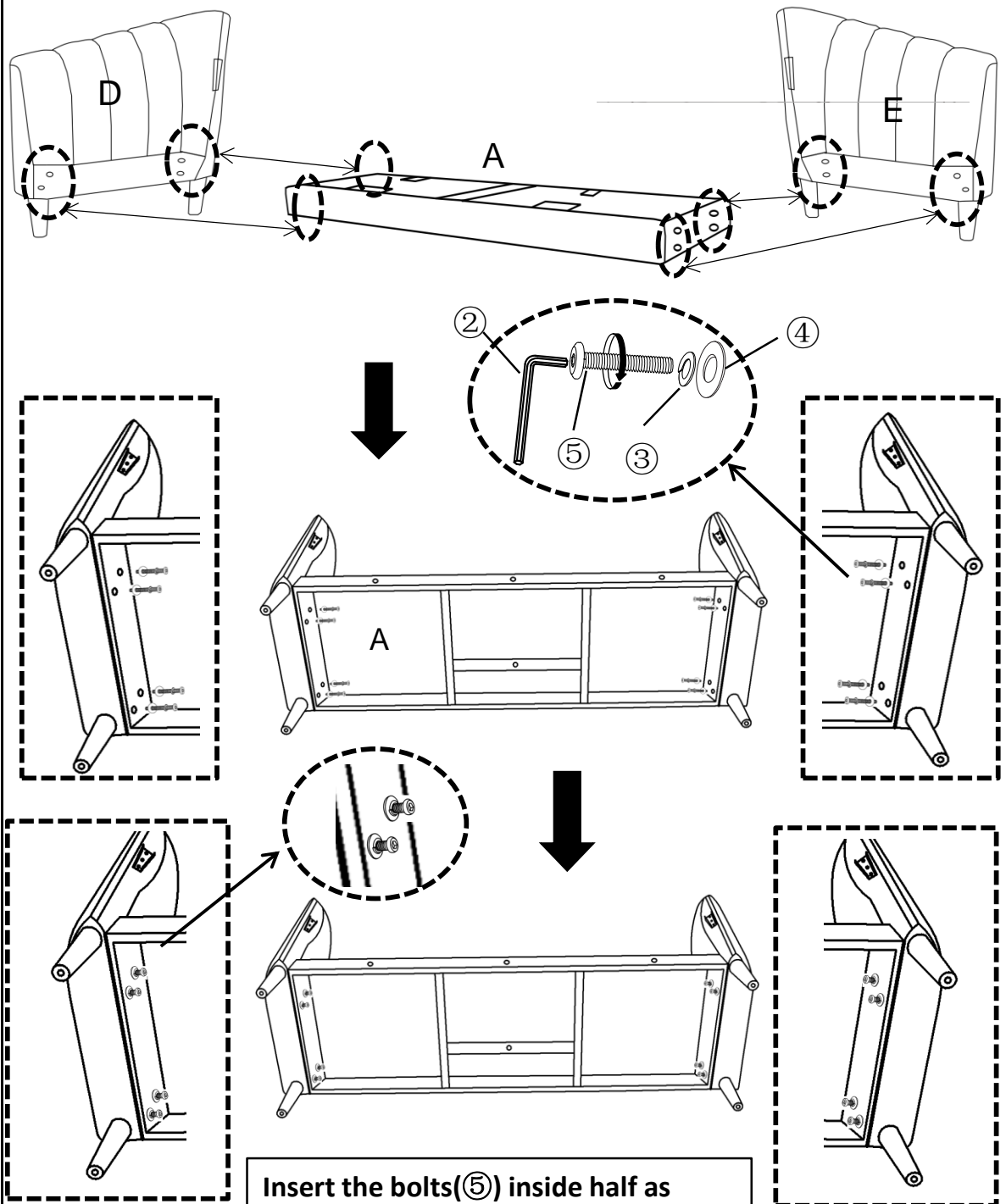


Carefully install the Wooden Legs(G) at the bottom of Left Arm(D) and Right Arm(E). Insert threaded stem into the mounting position at the corner of Left Arm(D) and Right Arm(E). Tighten by turning the Legs clockwise.

Take care of the shape of the Legs and ensure they in the correct postions.

**Note:**The use of Gaskets are **OPTIONAL** and are especially useful to help alleviate slight wobbleness. Some Legs may need more than one gasket while some legs may not need anyny.

## Step 5

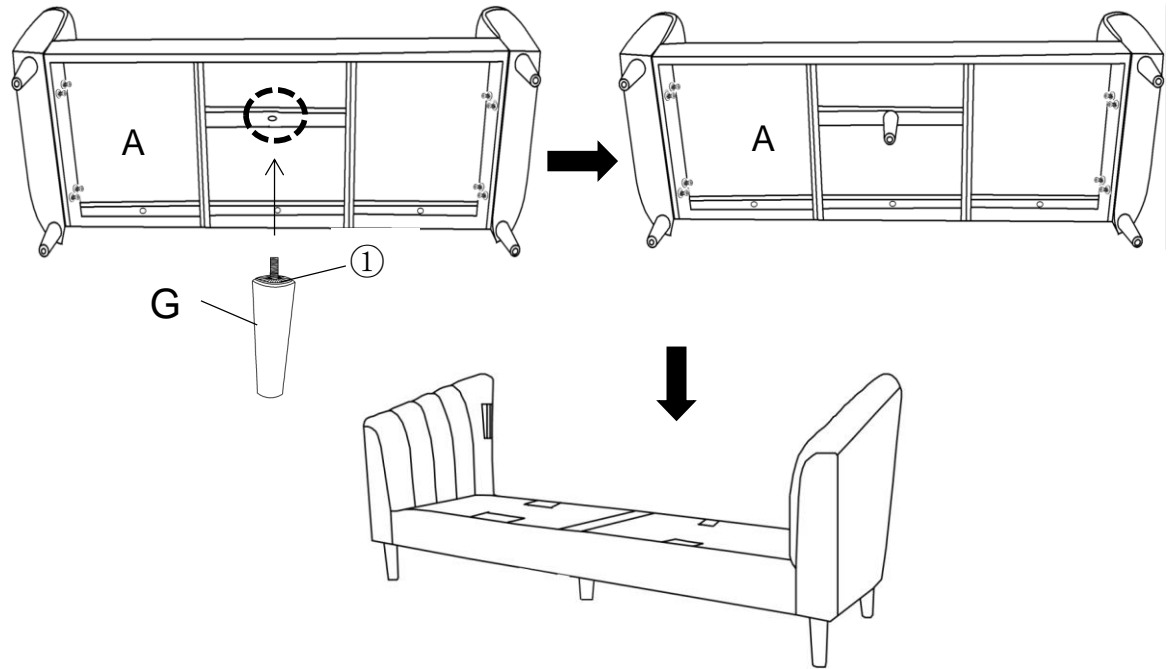


Insert the bolts(⑤) inside half as pictured until 4 bolts each side are all Bolted in, but don't tight the bolts at the moment, in order to make sure assemble the back with the arm easliy(Step 7).



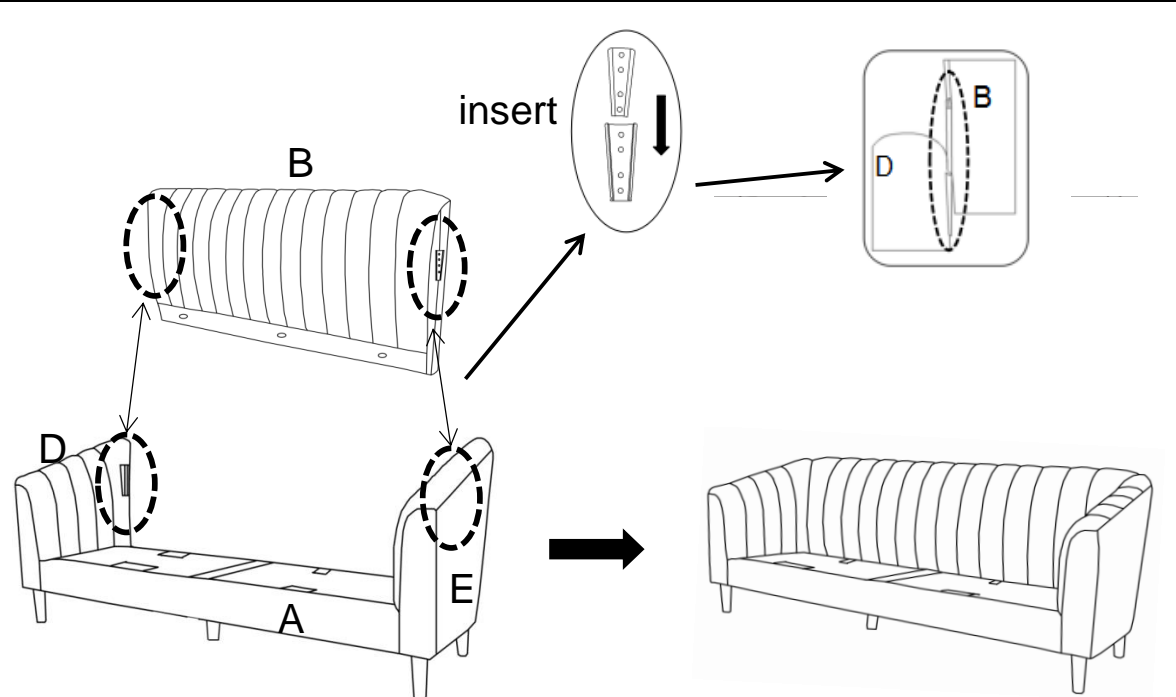
With assistance from your adult partner, position Left Arm(D), Right Arm(E) and Seat Base(A) facedown on a clean, non-marring surface, then attach using Bolts(⑤), Spring Washers(③) and Washer(④) with Allen Key(②).  
Pls don't tighten the bolts and just to be bolted half-way at the moment(until to the Step 9).

### Step 6



Carefully install the Wooden Leg(G) at the bottom of Seat Base(A).

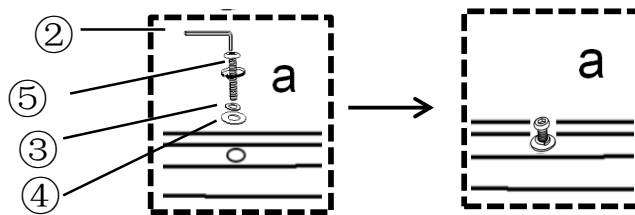
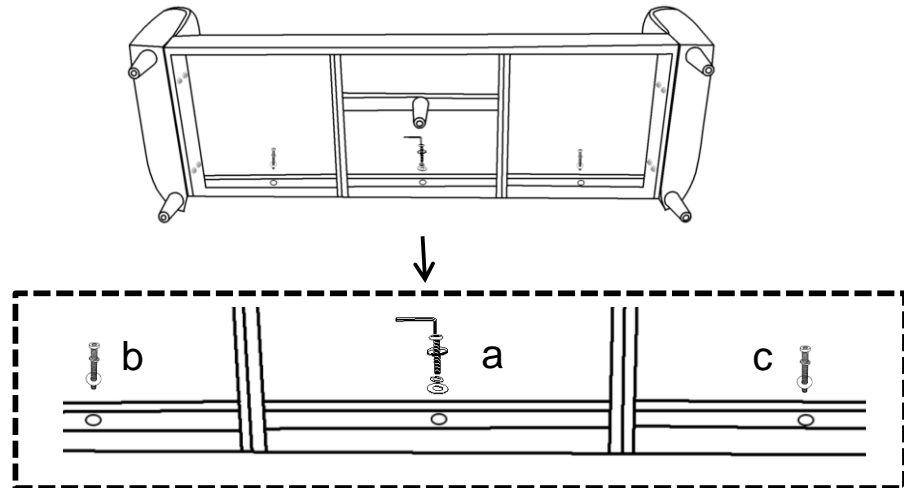
### Step 7



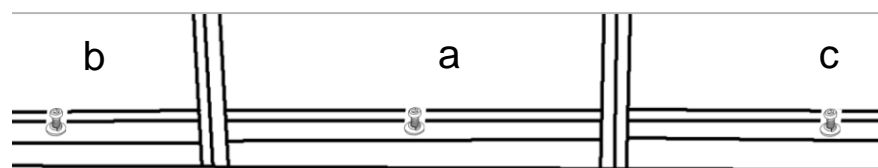
With assistance from your adult partner, align the mounting brackets on the Backrest(B) with those on the Left Arm(D) and Right Arm(E).

Then slide Backrest(B) downward to make sure it locks into place as pictured. Please squeeze the armrests properly against the backrest to ensure that the inserts can be assembled smoothly.

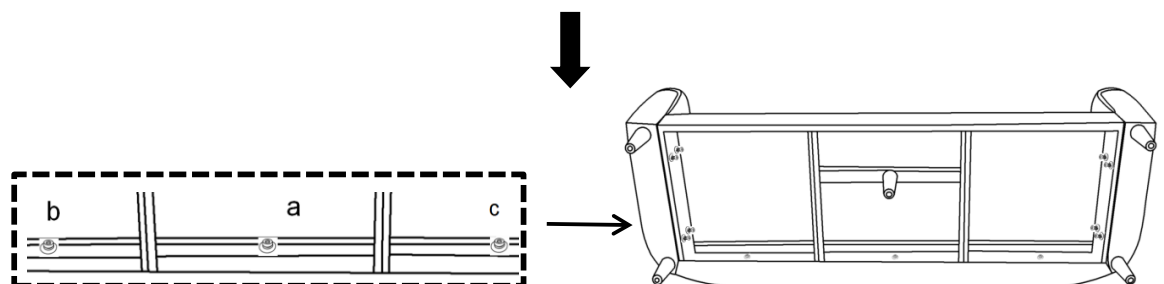
## Step 8



Insert the bolts(⑤) half-way starting at "a" then to "b" and "c".

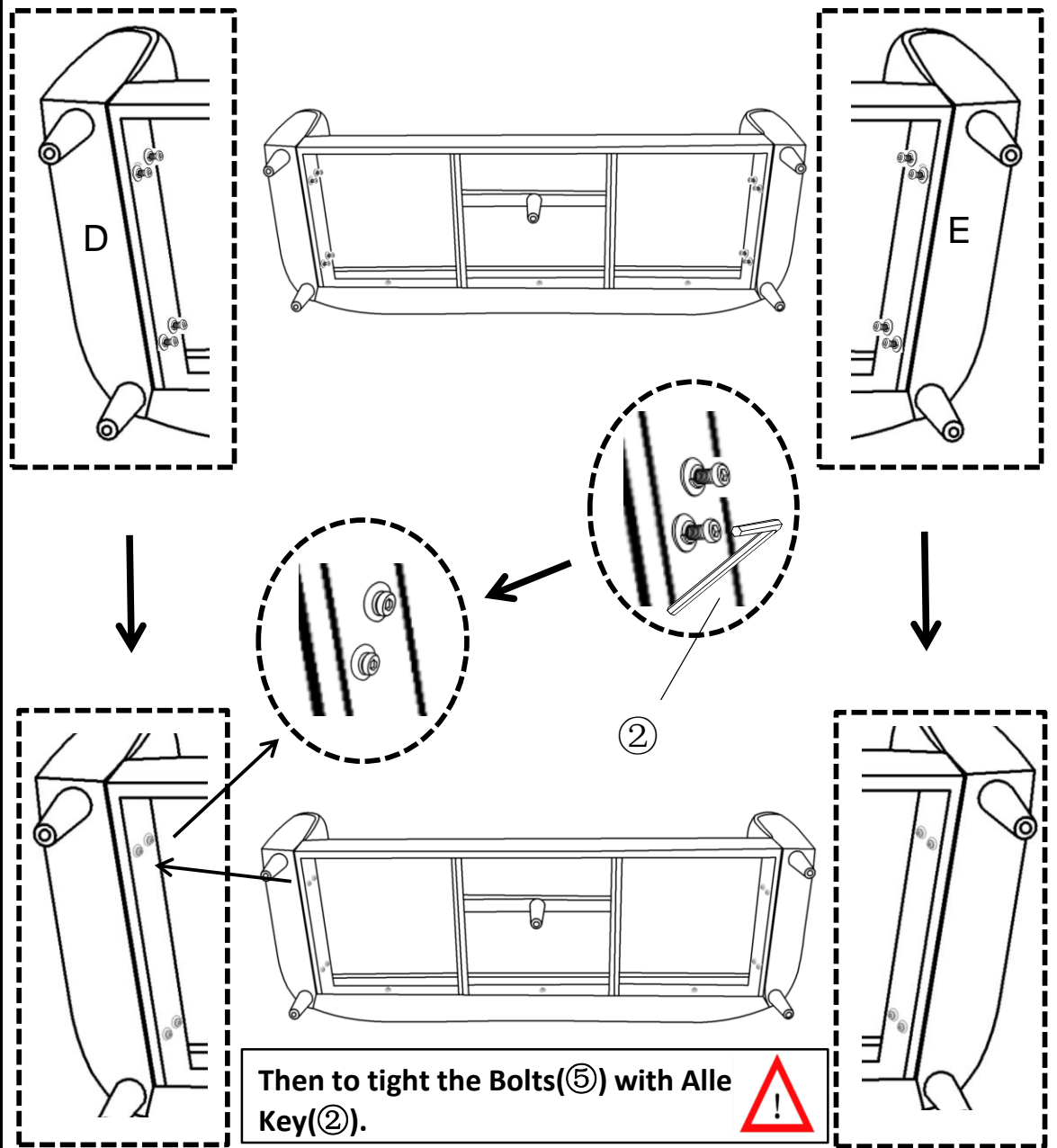


Then tighten the 3 Bolts with Allen Key(②)



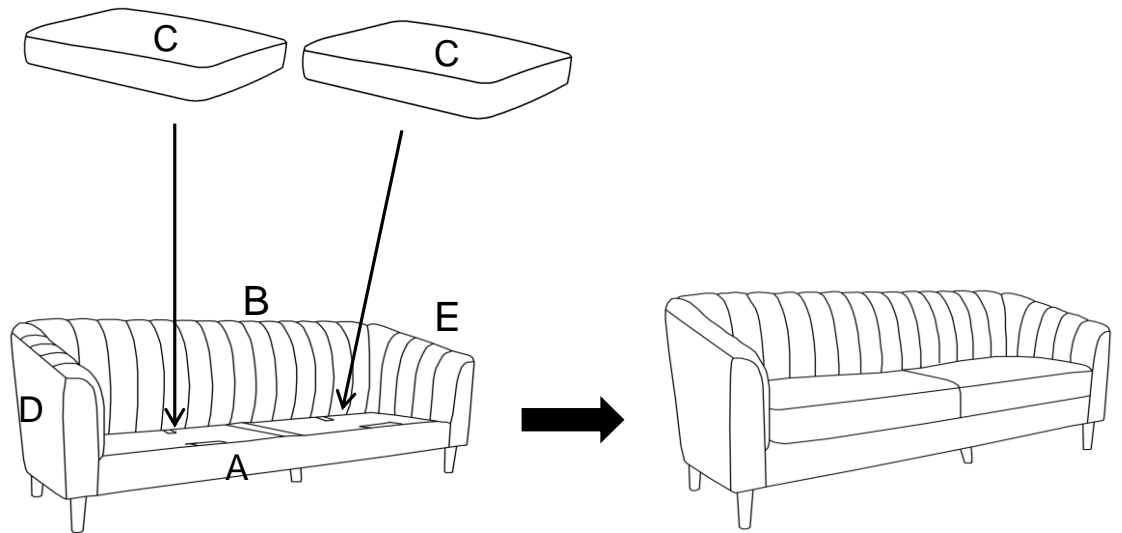
Secure Backrest(B) to the bottom of Seat Base(A) using Bolts(⑤), Spring Washers(③) and Washers(④) with Allen Key(②).  
Insert Bolts(⑤) half-way starting at “a” then to “b” and “c”.

**Step 9**



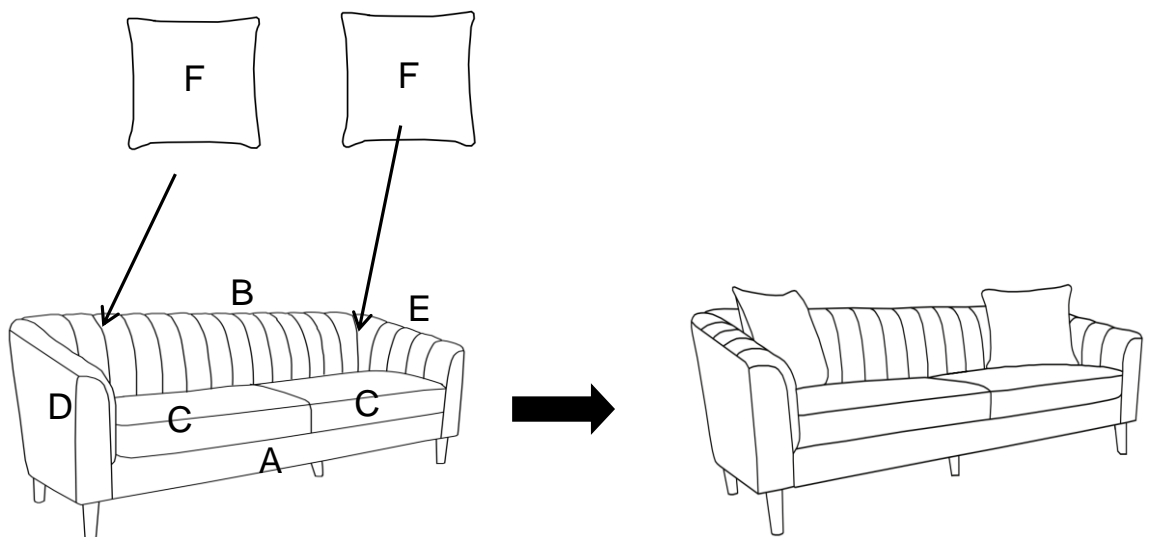
Tight the Bolts on each side of Arm with the Allen Key(②).

## Step 10










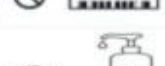


Place the Seat Cushions(C) on the Seat Base (A).

## Step 11



Place the Pillows(F) on the Sofa.  
Your Sofa is ready for use.  
This Sofa can only be used on a flat, level surface.

## Care & Maintenance

-  Do not put hot items directly on furniture surface
  -  Do not clean furniture with harsh cleansers or polish.
  -  Do not place furniture under direct sunlight.
  -  Do not place furniture near heating or cooling vents.
  -  Do not write on furniture without a padded barrier to protect the surface.
  -  Do not place furniture outside . For indoor use only .
  -  Not for commercial use. For residential use only .
  -  Stains may be removed with mild soap solution and damp cloth.
  -  Children should not climb or jump on the furniture.
- 
-  Dust and pick-up spills using a clean, non-colored, lint-free cloth .

### Questions & Answers about Proposition 65

#### • What is Proposition 65?

Proposition 65 requires businesses to provide warnings to Californians about significant exposures to chemicals that cause cancer, birth defects or other reproductive harm. These chemicals can be in the products that Californians purchase, in their homes or workplaces, or that are released into the environment. By requiring that this information be provided, Proposition 65 enables Californians to make informed decisions about their exposures to these chemicals.

Proposition 65 also prohibits California businesses from knowingly discharging significant amounts of listed chemicals into sources of drinking water.

Proposition 65 requires California to publish a list of chemicals known to cause cancer, birth defects or other reproductive harm. This list, which must be updated at least once a year, has grown to include approximately 900 chemicals since it was first published in 1987.

#### • What types of chemicals are on the Proposition 65 list?

The list contains a wide range of naturally occurring and synthetic chemicals that include additives or ingredients in pesticides, common household products, food, drugs, dyes, or solvents. Listed chemicals may also be used in manufacturing and construction, or they may be byproducts of chemical processes, such as motor vehicle exhaust.

#### • What does a warning mean?

If a warning is placed on a product label or posted or distributed at a workplace, a business, or in rental housing, the business issuing the warning is aware or believes that it is exposing individuals to one or more listed chemicals.

By law, a warning must be given for listed chemicals unless the exposure is low enough to pose no significant risk of cancer or is significantly below levels observed to cause birth defects or other reproductive harm.

#### • Where can I get more information on Proposition 65?

If you have specific questions on the administration or implementation of Proposition 65, you can contact OEHHA's Proposition 65 program at [P65.Questions@oehha.ca.gov](mailto:P65.Questions@oehha.ca.gov), or by phone at (916) 445-6900.