



⚠ For installation help, missing or replacement parts -  
**PLEASE CONTACT KARRAN FIRST**

1-866-452-7726  
info@karran.com

**Register Online:**

[www.karran.com/productregistration](http://www.karran.com/productregistration)

**Tools you may need:**



# Installation Guide

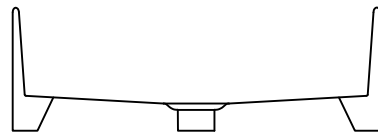
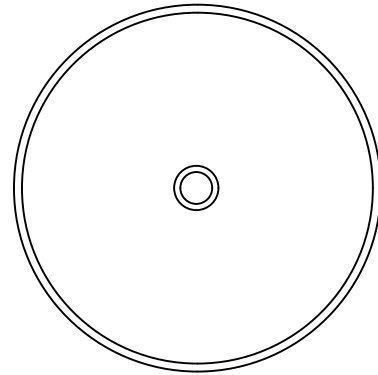


Image is for reference only

## VALERA™ VESSEL BATHROOM SINKS

**VC-301, VC-302, VC-303, VC-401, VC-402,  
VC-410, VC-411, VC-420, VC-421, VC-424,  
VC-427, VC-501, VC-502, VC-503, VC-504,  
VC-505, VC-506, VC-507, VC-511,  
VC-601, VC-603**

Save this instruction sheet for future reference

REV. 09/18/2025

We reserve the right to update product installation instructions without notice. Please visit [karran.com](http://karran.com) for the most current installation instructions.

**Read these instructions thoroughly before you begin.**

Always inspect the sink closely for damage prior to installing. Do not install a damaged sink.

Take care when handling a vitreous china sink as they may be heavy.

Adhere to all local building and plumbing codes.

This product is likely to perform best when installed by a licensed professional. The failure to follow these instructions or to hire a professional when needed may result in personal injury or property damage and may void the warranty.

When installing into any type of countertop material, always use a quality silicone sealant.

Specialized tools may be necessary to install a vitreous china sink with countertop materials such as wood, marble or granite.

## BATHROOM VITREOUS CHINA SINK CARE AND MAINTENANCE

Thank you for purchasing a Karran vitreous china sink. Your Karran sink is finished with a durable double-glazed finish that has been researched and produced to meet the specific demands of the bathroom. This material is resistant to surface damage but like most things, better care will make for a longer life.

### REGULAR CLEANING

Prevent water spots by rinsing and wiping the inside of the bowl with a clean cloth after every use. If more thorough cleaning is required, use water and a mild ammonia-free liquid soap detergent. Apply the cleaner with a soft sponge or cloth, wipe the bowl then rinse thoroughly with warm water. Dry the bowl with a soft cloth.

Removal of hard water deposits or lime scale can be accomplished with a solution of 50% water and 50% vinegar. Apply the solution to the inside of the sink, then wipe and rinse thoroughly with warm water. Dry with a soft cleaning cloth.

For tough stains like rust (caused by mineral deposits from the water supply) or hardened toothpaste residue, use a solution of baking soda and vinegar. Combine the two ingredients into a paste, and apply directly to the stain area. Let the paste sit for 5 minutes, then rinse with warm water and dry with a soft cleaning cloth.

**NEVER** use any abrasive pads, steel wool, or wire brushes when cleaning your vitreous china sink. Using these products will damage the sink's surface.

**NEVER** use cleaners containing any abrasive powders, bleach, ammonia, chlorine or alcohol. These products may damage the sink's surface.

**BE CAREFUL** not to leave staining materials in contact with the sink's surface for extended period of times.

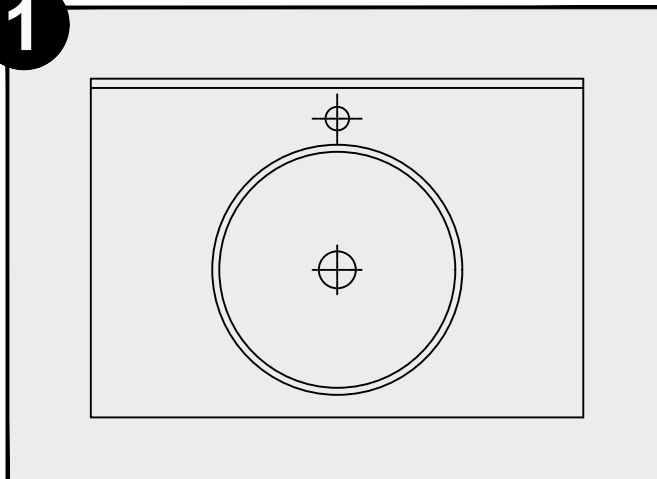
Products to that we recommend for cleaning your vitreous china sink include the following:

- Dishwasher soap
- Soft Scrub®
- 50/50 White vinegar + water solution
- Mild bleach solution

Follow these simple maintenance tips to keep your sink looking its best for years.

For any technical assistance or concerns, please contact us by phone at 866.452.7726 or by email at [info@karran.com](mailto:info@karran.com)

1

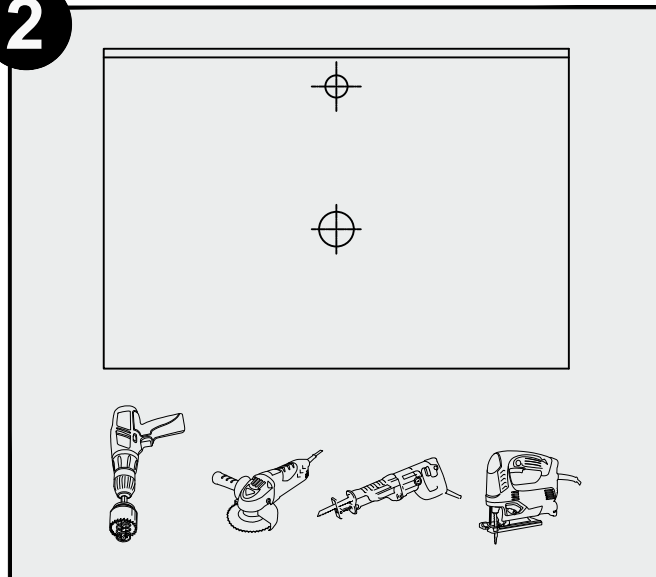


Place the sink in the desired location on the countertop and mark the drain hole and faucet hole centerline with a pencil.

**NOTE:** Make sure clearance is suitable for backsplash, faucet, and sink plumbing.

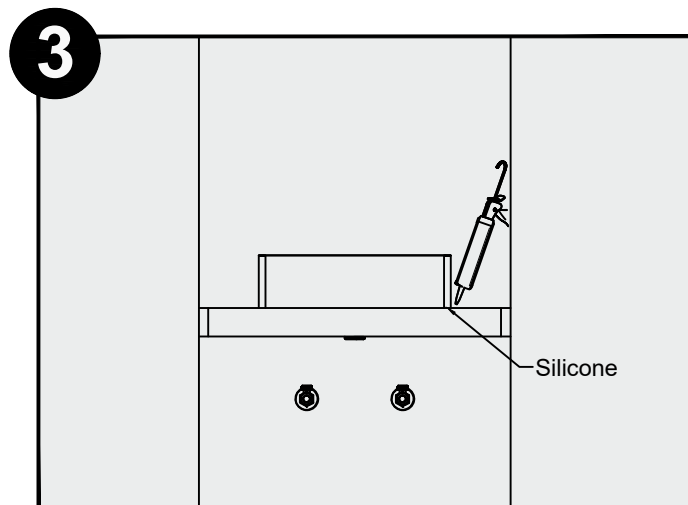
**NOTE:** Please allow a minimum of 4 1/2" from wall to edge of sink for faucet placement clearance.

2



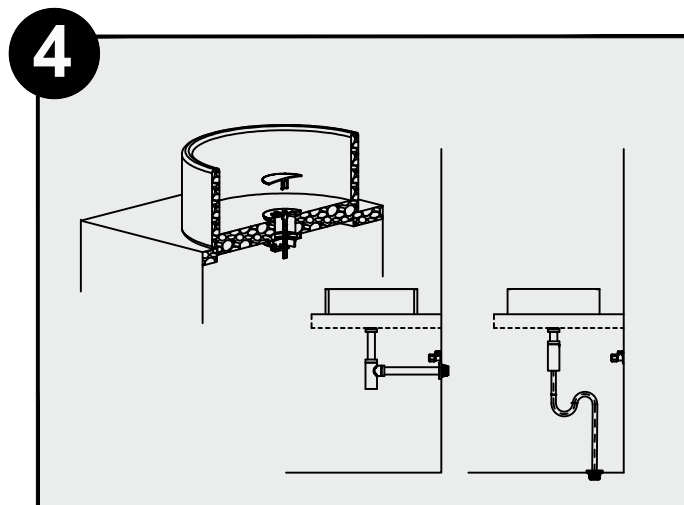
Drill the drain and faucet holes with the suitable tools according to the countertop material.

**CAUTION:** To avoid the risk of personal injury, wear safety glasses and cut resistant gloves with non-slip grip when cutting and drilling.

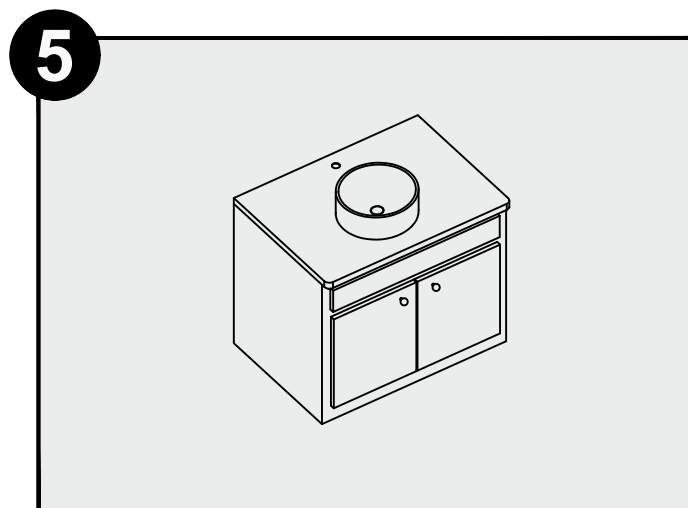


Check the alignment of the sink to the opening in the countertop. Apply clear silicone around the bottom of the sink and place it over the drain hole, align and press firmly. Allow sealant to set for 30 – 60 minutes.

**NOTE:** Use acetone or rubbing alcohol to remove any excess sealant immediately after application.



Install the sink drain to the sink and plumbing.



Install your faucet following the manufacturer's instructions.



## Warranty

### Products Subject to this Limited Warranty

This Limited Lifetime Warranty applies only to sinks manufactured and sold by Karran USA (the "Company") (the "Products").

### Who is Entitled to this Limited Lifetime Warranty

The Company grants this Limited Lifetime Warranty solely in favor of the original purchaser of the Products (the "Original Purchaser"), but to no other person or entity whatsoever. No person or entity, other than the Original Purchaser, shall have any right to assert any claim under this Limited Lifetime Warranty, or otherwise, in connection with the Products. This Limited Lifetime Warranty is personal to the Original Purchaser and may not be transferred by the Original Purchaser to any other person or entity, by contract, operation of law, transfer of the property into which the Products are installed, or otherwise.

### Commercial Warranty

The Company warrants its Products for a period of (1) year to commercial purchasers of Products used in industrial, commercial and business applications.

### Length of this Limited Lifetime Warranty

This Limited Lifetime Warranty shall begin on the date the Products are purchased from an authorized Company dealer. The design and manufacture of the product are warranted to be free from defects in material and workmanship under normal usage for the lifetime of the product (such period of time, the "Warranty Period"), after which this Limited Warranty shall expire and be of no further force or effect. THIS LIMITED WARRANTY IS IN LIEU OF ALL OTHER WARRANTIES, EXPRESS OR IMPLIED, INCLUDING BUT NOT LIMITED TO THE IMPLIED WARRANTIES OF FITNESS FOR A PARTICULAR PURPOSE AND MERCHANTABILITY.

**Please note that some states/provinces (including Quebec) do not allow limitations on how long an implied warranty lasts, so the below limitations may not apply to you. TO THE MAXIMUM EXTENT PERMITTED BY APPLICABLE LAW, ANY IMPLIED WARRANTY, INCLUDING THE IMPLIED WARRANTIES OF MERCHANTABILITY AND OF FITNESS FOR A PARTICULAR PURPOSE, IS LIMITED TO THE STATUTORY PERIOD OR THE DURATION OF THIS WARRANTY, WHICHEVER IS SHORTER.**

### What is Warranted

Subject to the conditions and limitations set forth in this Limited Lifetime Warranty, the Company warrants to the Original Purchaser that during the Warranty Period the Products, excluding finishes, will be free from manufacturing and design defects when used under normal conditions and maintained properly.

The finishes on this product are warranted for a period of two (2) years from the date of purchase. After this period, any wear, gloss reduction, scratching, staining, or etching of the finish due to normal use, cleaning practices, or water conditions will not be covered under this warranty.

### What the Company Will Do

In the event that any Product fails to comply with this Limited Lifetime Warranty, the Company will either repair or provide a replacement of the defective Product at its cost. The Company shall elect the remedy in its sole and absolute discretion.

In the event the Company elects to replace any defective Product, the Company may provide, at its option, up to \$300 to be credited towards the installation of another Product. If the Company determines the Product needs to be undermounted with a silicone bond or soft seam in a solid surface or stone countertop, the replacement Product may, at the option of the Company, be another Product part of the Undermount Series. If the Product needs replacement by seamless integration (hard seamed) into a laminate, solid surface, granite or quartz countertop, the replacement Product shall be the Company's Top Mount Sink.

THE FOREGOING DESCRIBES THE COMPANY'S SOLE LIABILITY, AND THE ORIGINAL PURCHASER'S SOLE REMEDY, FOR ANY BREACH OF WARRANTY IN RESPECT OF THE PRODUCTS. THE COMPANY SHALL NOT BE LIABLE FOR, ANY SPECIAL, INCIDENTAL OR CONSEQUENTIAL DAMAGES (INCLUDING LABOR CHARGES TO REPAIR, REPLACE, INSTALL OR REMOVE THIS PRODUCT), WHETHER ARISING OUT OF BREACH OF ANY EXPRESS OR IMPLIED WARRANTY, BREACH OF CONTRACT, TORT, OR OTHERWISE.

### How to Make a Claim

To make a claim under this Limited Lifetime Warranty, the Original Purchaser must notify the Company in writing or by phone of any claimed defect in a Product. Such notice must be given promptly following discovery of the claimed defect and in any event prior to the expiration of the applicable Warranty Period. The Original Purchaser must submit with such notice proof of purchase and proof of the date of purchase of the Product claimed to be defective. Notification shall be provided to:

Email: warranty@karran.com  
Phone: 866-452-7726

USPS  
Karran USA  
Attention: CLAIMS  
PO Box 667  
Vincennes, IN 47591

The Company shall then promptly inspect, by means of digital photography or video supplied by the customer, the claimed defect and if such examination does disclose a defect covered by this warranty, shall, within thirty (30) days after inspection replace or repair the defective Product (as it shall elect in its sole and absolute discretion), subject to the terms set forth above.

### Limitations

1. The Company shall not be liable under this Limited Lifetime Warranty for any of the following:

- A. Defects in or failure of the Products caused by accidents, physical abuse or misuse of the Products.
- B. Defects in or failure of the Products caused by installation of the Products not in strict adherence with the written instructions of the Company.
- C. Defects in or failure of the Products caused by improper care or maintenance of the Products including the use of abrasive cleaners such as powders, ammonia, alcohol or chlorine or the use of abrasive pads, steel wool or wire brushes.
- D. Breakage of the Product that is not due to a defect in the manufacture of the Products.
- E. Any damage to the Products caused by impact of foreign objects, earthquake, or other acts of God or by fire, explosion or other casualty.
- F. Defects in, failure of, or damage to the Products caused by materials adjacent to the Products.
- G. Any damage due to or resulting from heat.
- H. Damage to the Products caused by alteration after completion of their installation by anyone who is not authorized by the Company in writing, whether such alteration be by structural additions, changes, replacements or by equipment installation.
- I. Changes in the Products due to gloss reduction, scratching, staining or alkaline etching of the finish over time due to use, cleaning practices or water conditions, all of which are not manufacturing defects but are indicative of normal wear and tear.
- J. This warranty does not cover Products that were discontinued when purchased or display Products, whether such Products were purchased at discount outlets, unauthorized dealers, and/or sold on clearance. This warranty does not cover any free gifts included with purchase.

1. IN NO EVENT SHALL THE COMPANY BE LIABLE FOR CONSEQUENTIAL OR INCIDENTAL DAMAGES OF ANY KIND, INCLUDING, BUT NOT LIMITED TO, ANY DAMAGE TO THE PROPERTY IN WHICH A PRODUCT IS INSTALLED, ITS CONTENTS OR ANY PERSON THEREIN. NO FIELD REPRESENTATIVE, DISTRIBUTOR OR DEALER OF THE COMPANY IS AUTHORIZED TO MAKE ANY CHANGE OR MODIFICATION TO THIS LIMITED WARRANTY. SOME STATES/PROVINCES (INCLUDING QUEBEC) MAY NOT ALLOW LIMITATIONS ON OR THE EXCLUSION OF INCIDENTAL OR CONSEQUENTIAL DAMAGES, SO THE ABOVE EXCLUSIONS MAY NOT APPLY TO YOU.

The invalidity, illegality or unenforceability of any one or more provisions of this Limited Warranty shall in no way affect or impair the validity, legality or enforceability of the remaining provisions, which shall remain in full force and effect.

### Legal Remedies

This warranty gives you specific legal rights, and you may also have other rights which vary from state to state and province to province.

12-7-2024