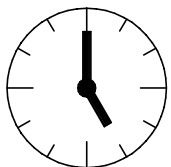
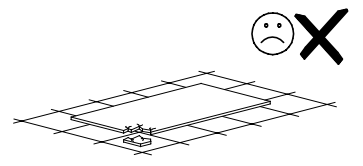
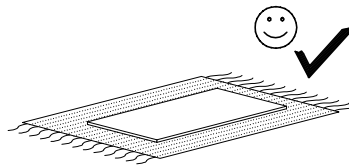
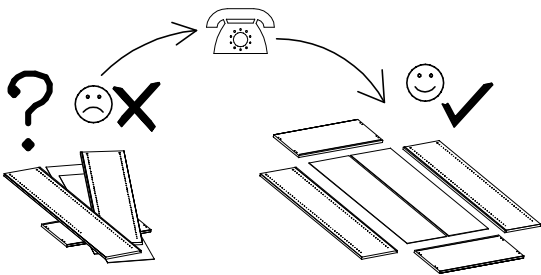
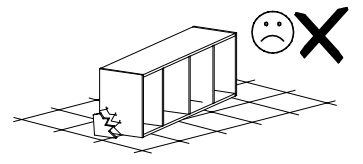
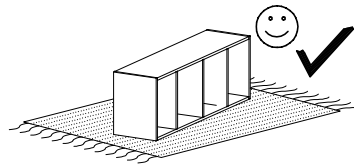
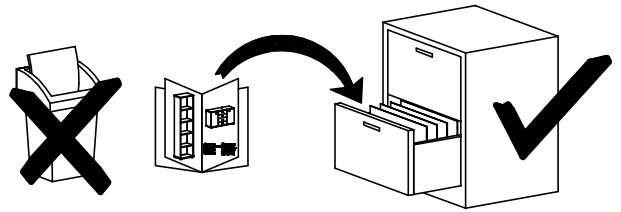
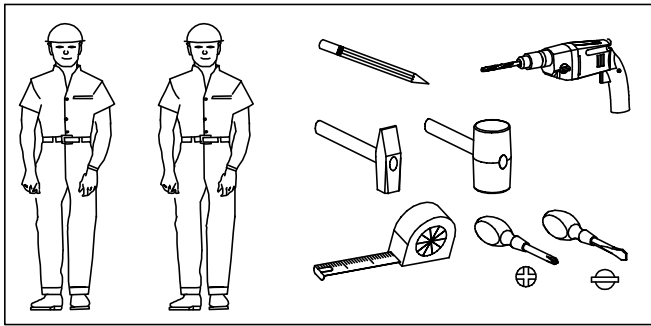
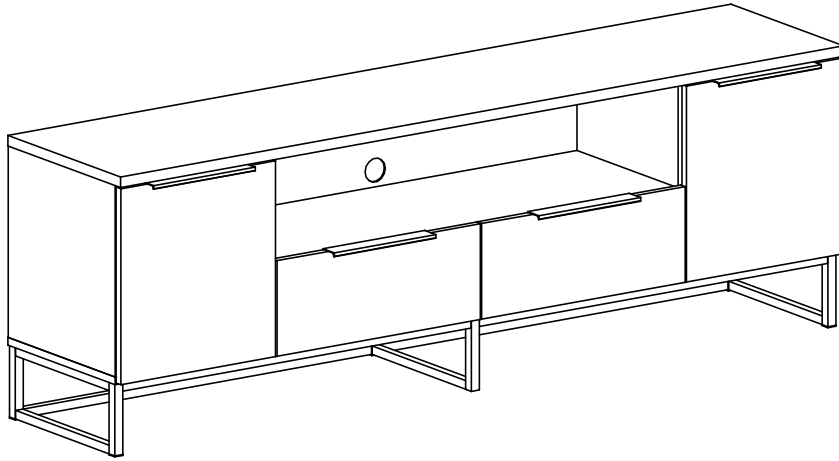
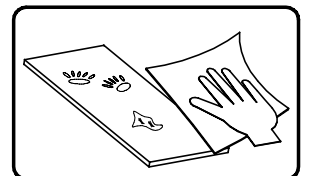
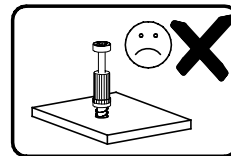
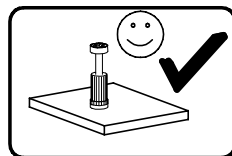
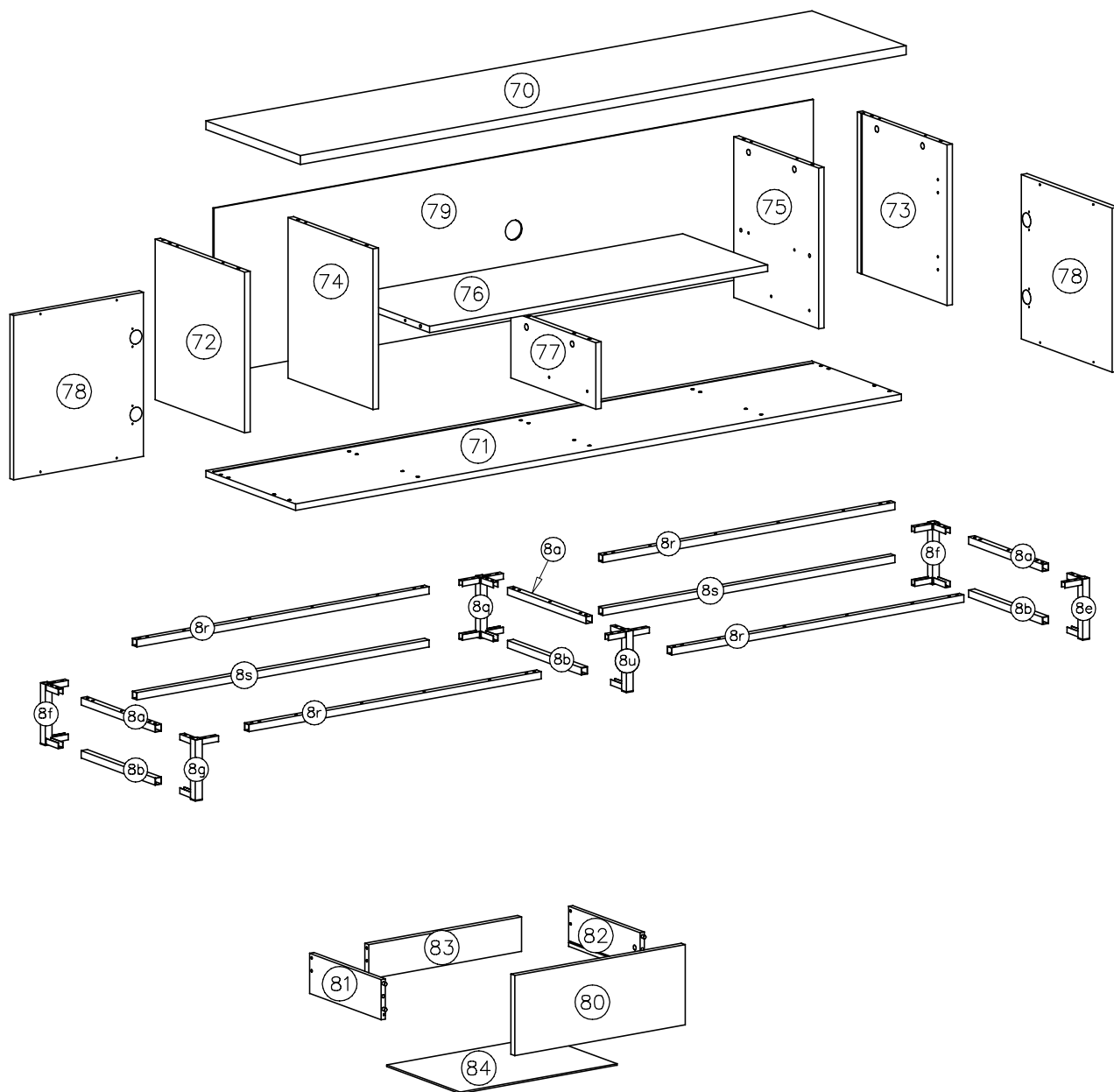
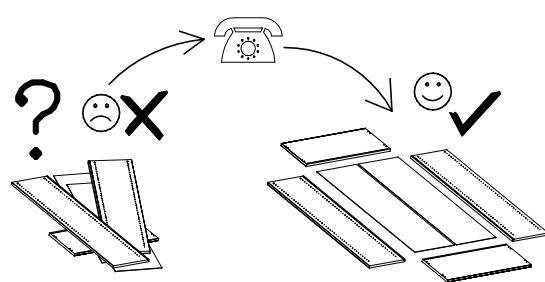
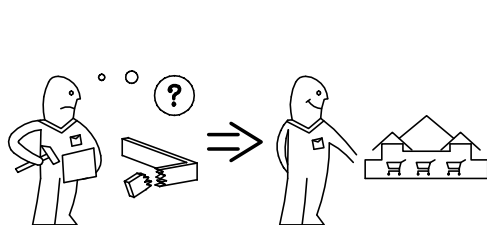
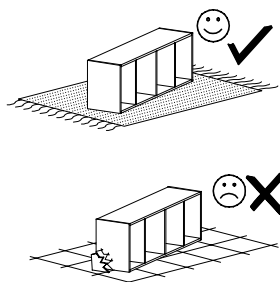


TOP 19 – Mediamöbel



2,5h

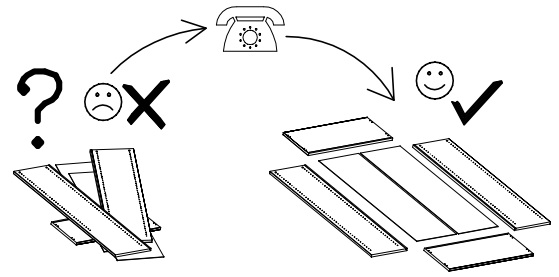
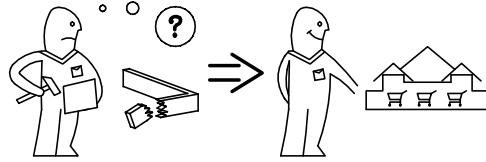
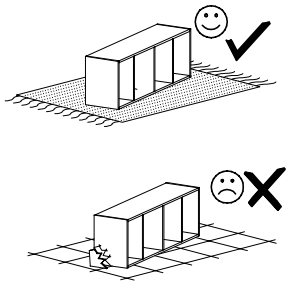





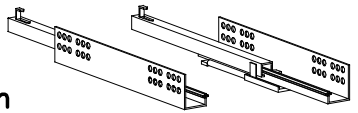
nr	L[mm]	B[mm]	T[mm]	Menge	Colli
70	1780	396	22	1	2/3
71	1780	376	16	1	2/3
72	400	376	16	1	1/3
73	400	376	16	1	1/3
74	400	356	22	1	1/3
75	400	356	22	1	1/3
76	994	353	16	1	1/3
77	166	353	16	1	1/3
78	409	381	16	2	1/3
79	1759	412	3	1	2/3
80	501	200	16	2	2/3

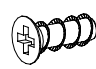
nr	L[mm]	B[mm]	T[mm]	Menge	Colli
81	300	100	12	2	1/3
82	300	100	12	2	1/3
83	449	86	16	2	1/3
84	459	307	3	2	1/3

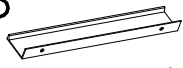
nr	L[mm]	B[mm]	T[mm]	Menge	Colli
8a	314	18	18	3	3/3
8b	314	18	18	3	3/3
8e	150	20	20	1	3/3
8f	150	20	20	2	3/3
8g	150	20	20	1	3/3
8q	150	20	20	1	3/3
8r		18	18	4	1/3
8s		18	18	2	1/3
8u	150	20	20	1	3/3
BESCHLAGE					3/3




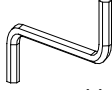
K2 
 ø15x16 x...(4)


H15 
 300mm x...(2)


G10 
 6x13 x...(8)


E96 
 224mm x...(4)


A1 
 ø7x50 x...(10)


W2 
 x...(1)

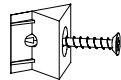
W1 
 x...(1)


A6 
 ø7x40 x...(8)

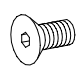
G34B 
 Black/Schwarz
 3,5x16 x...(8)


G34 
 3,5x16 x...(32)

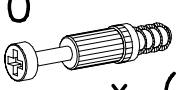
K1 
 ø15x12 x...(10)


I1 
 x...(10)

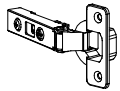
I7 
 x...(10)

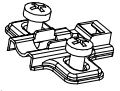
N36 
 M5x10 x...(44)

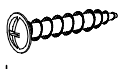
K4 
 ø12x10 x...(4)

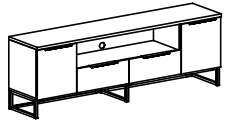
K10 
 x...(18)

B1 
 ø8x35 x...(32)

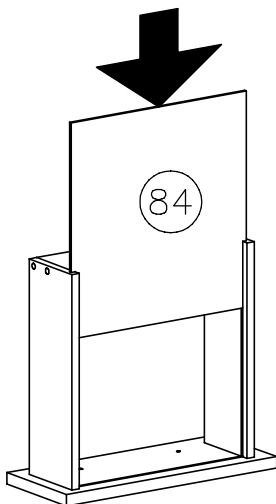
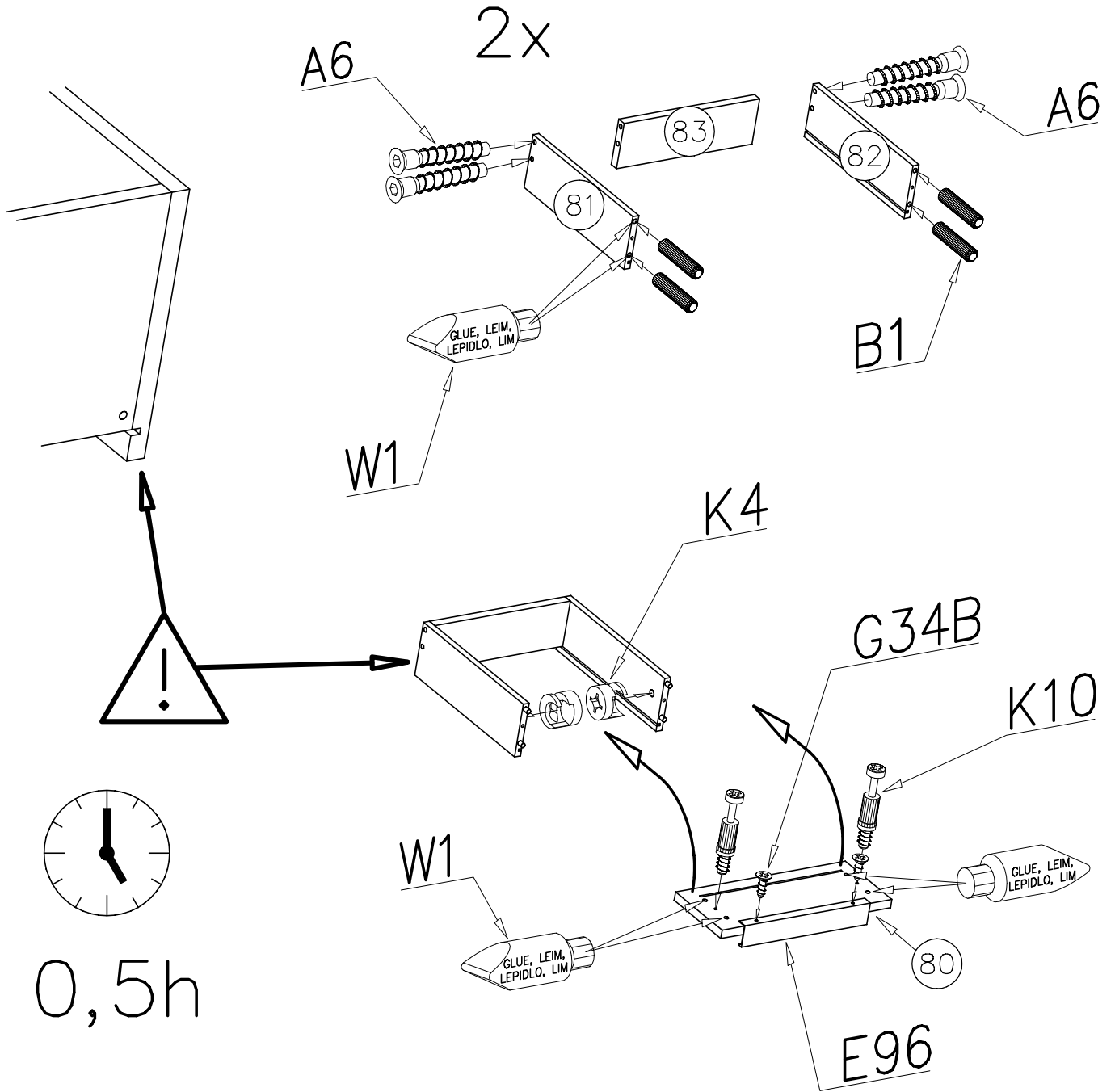
C15 
 Z35CL x...(4)

D15 
 PZ35CL x...(4)

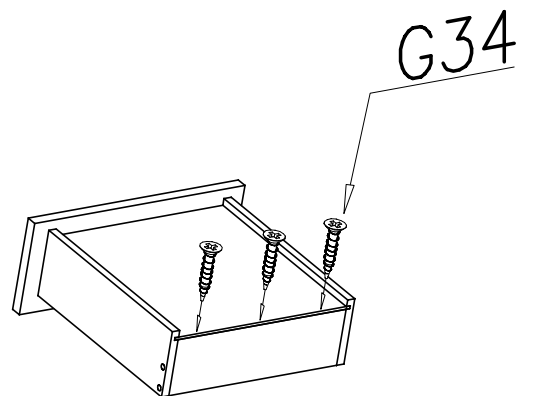
G8 
 Black/Schwarz
 4x30 x...(20)

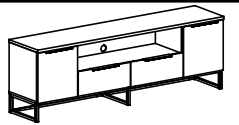


I

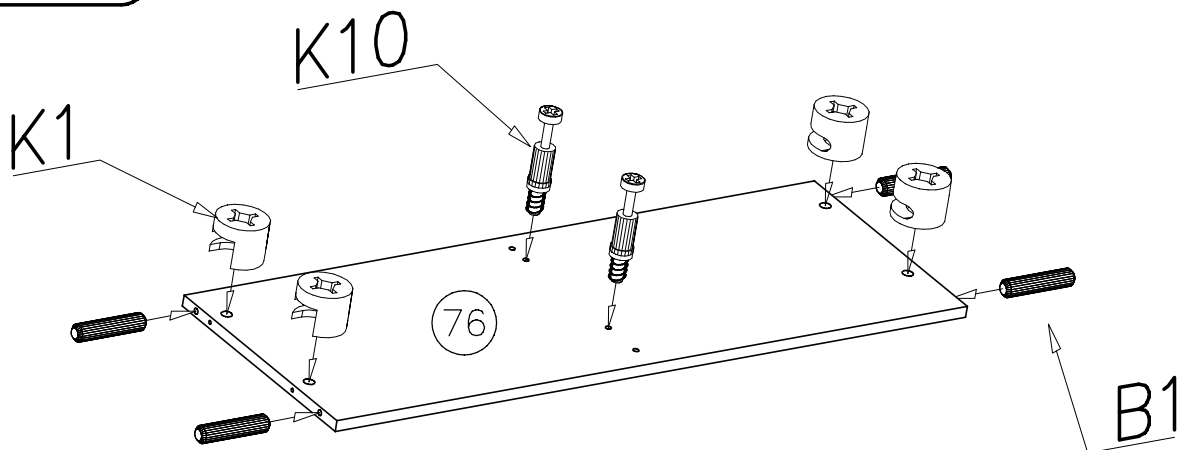
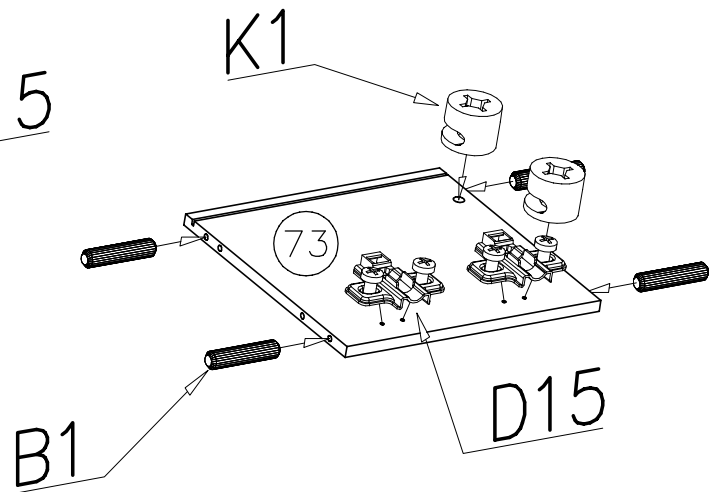
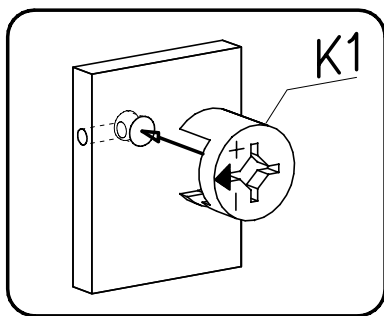
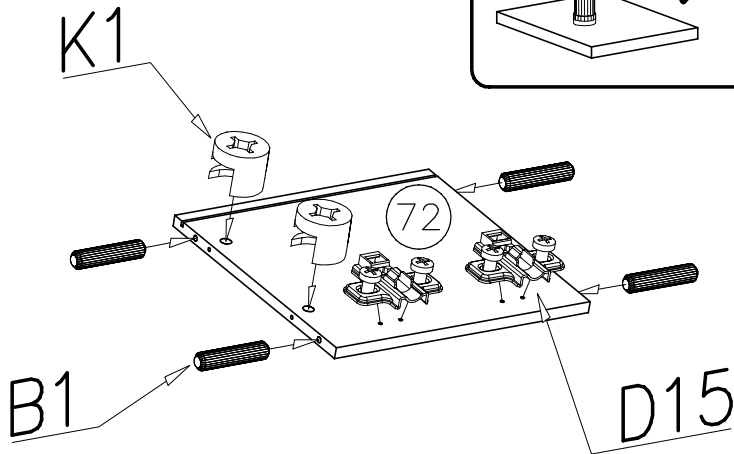
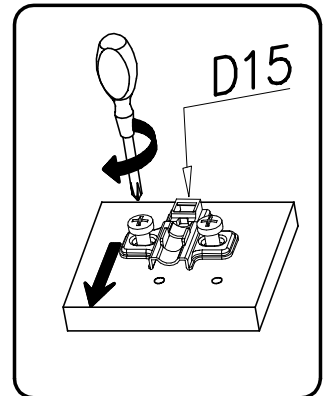
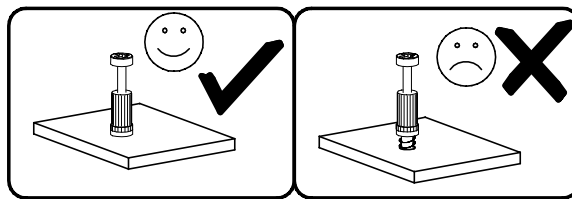
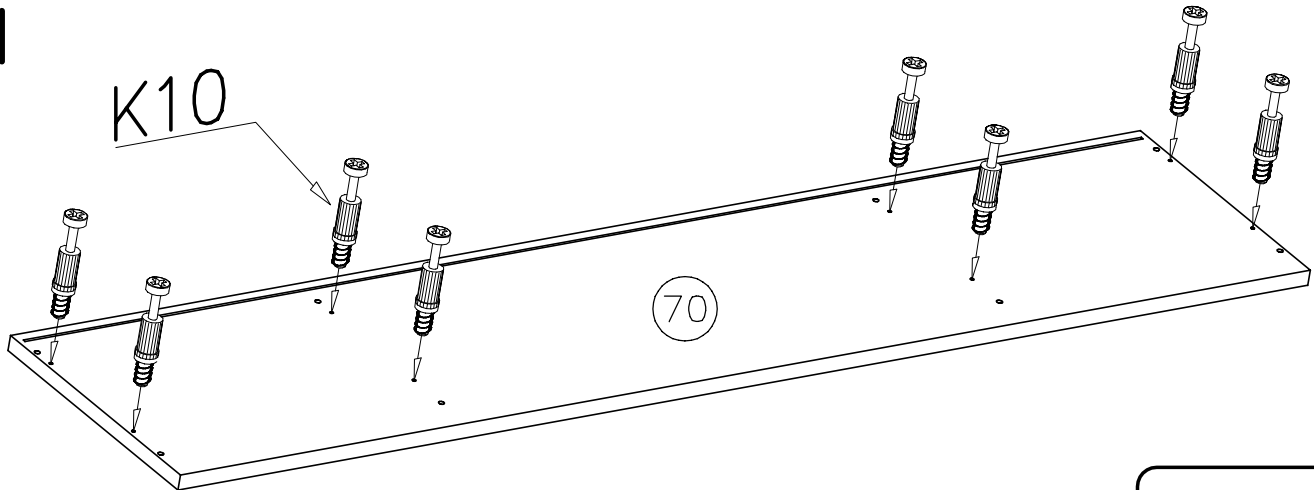


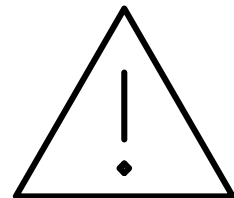
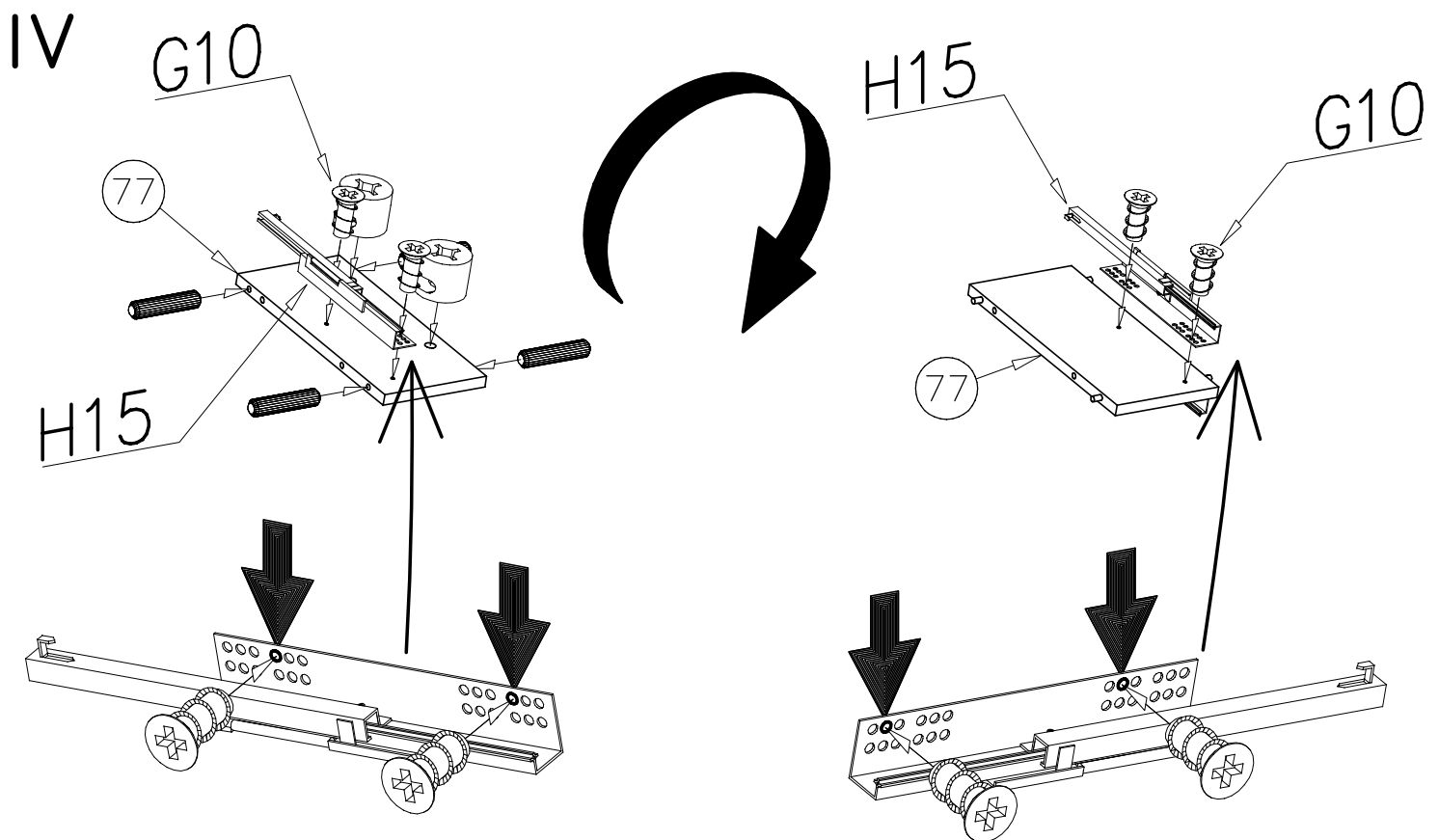
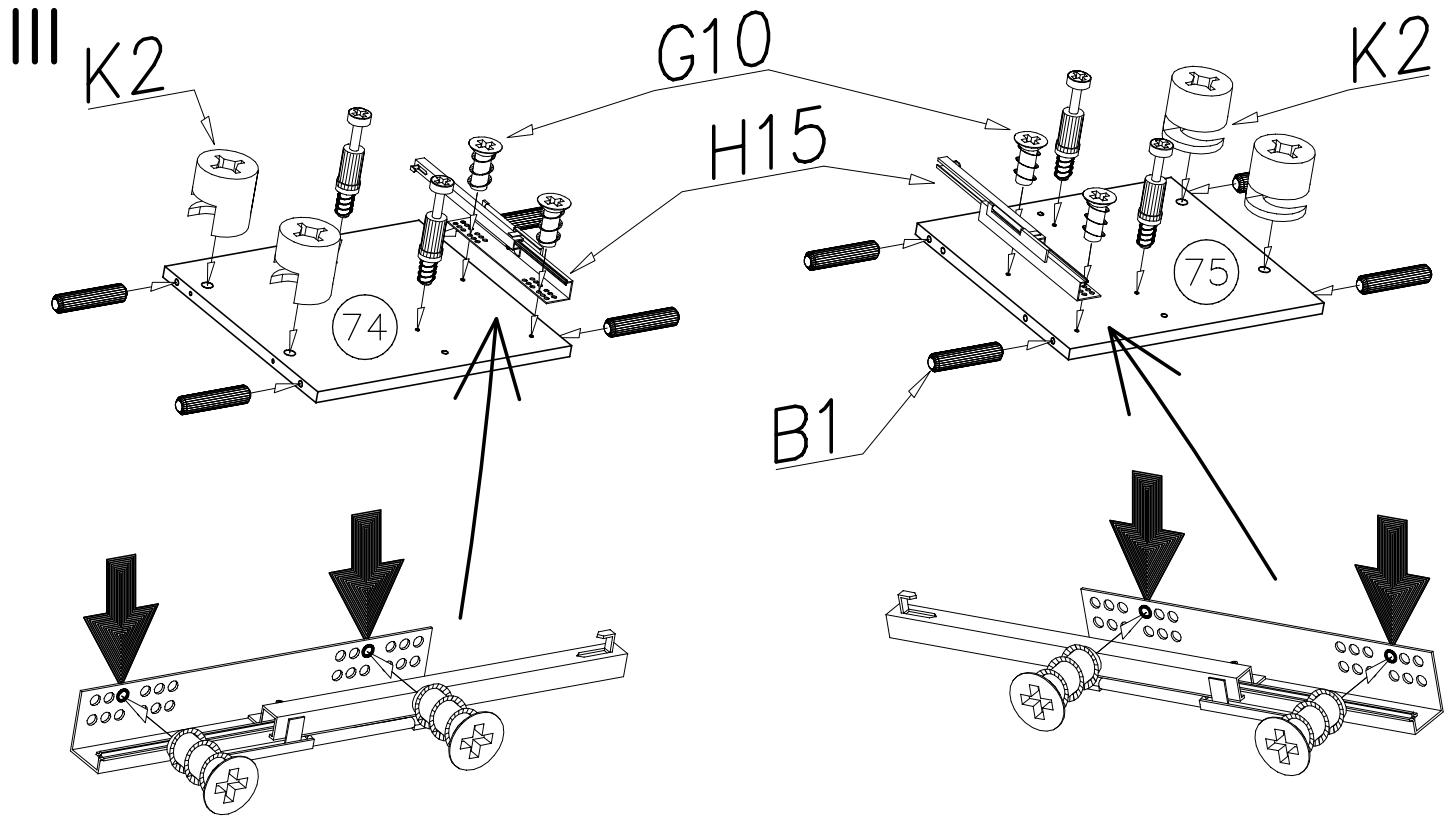
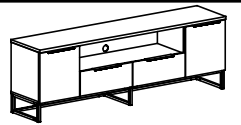
2x

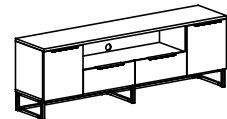




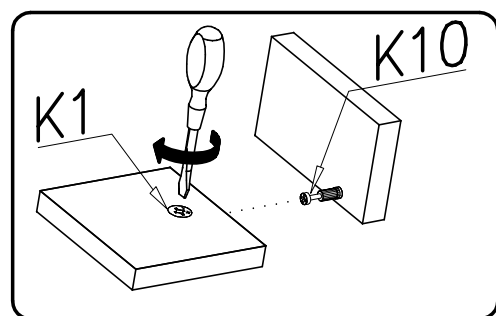
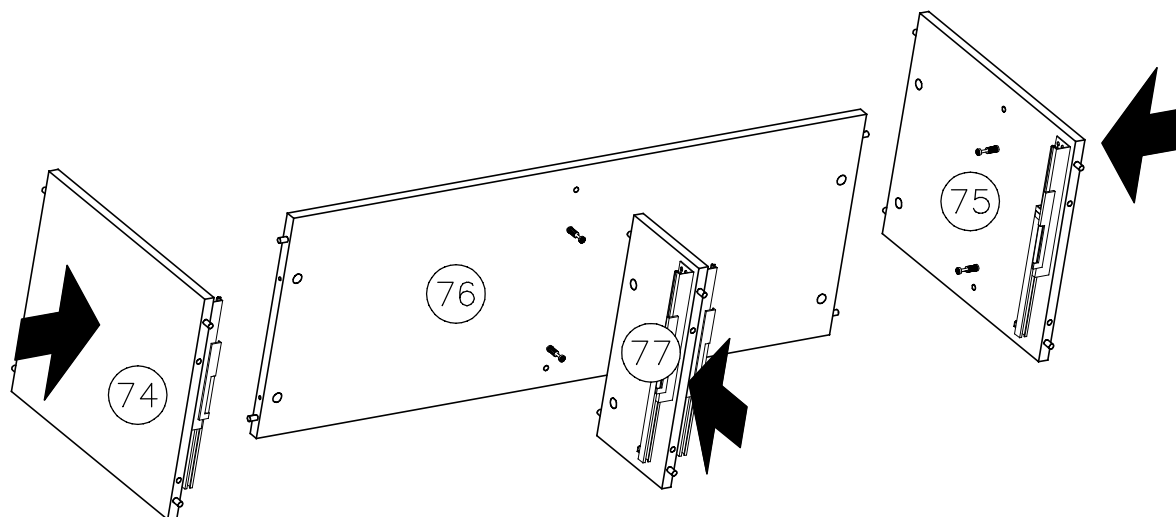
II



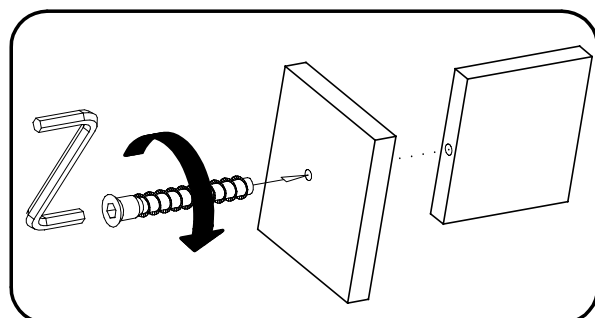
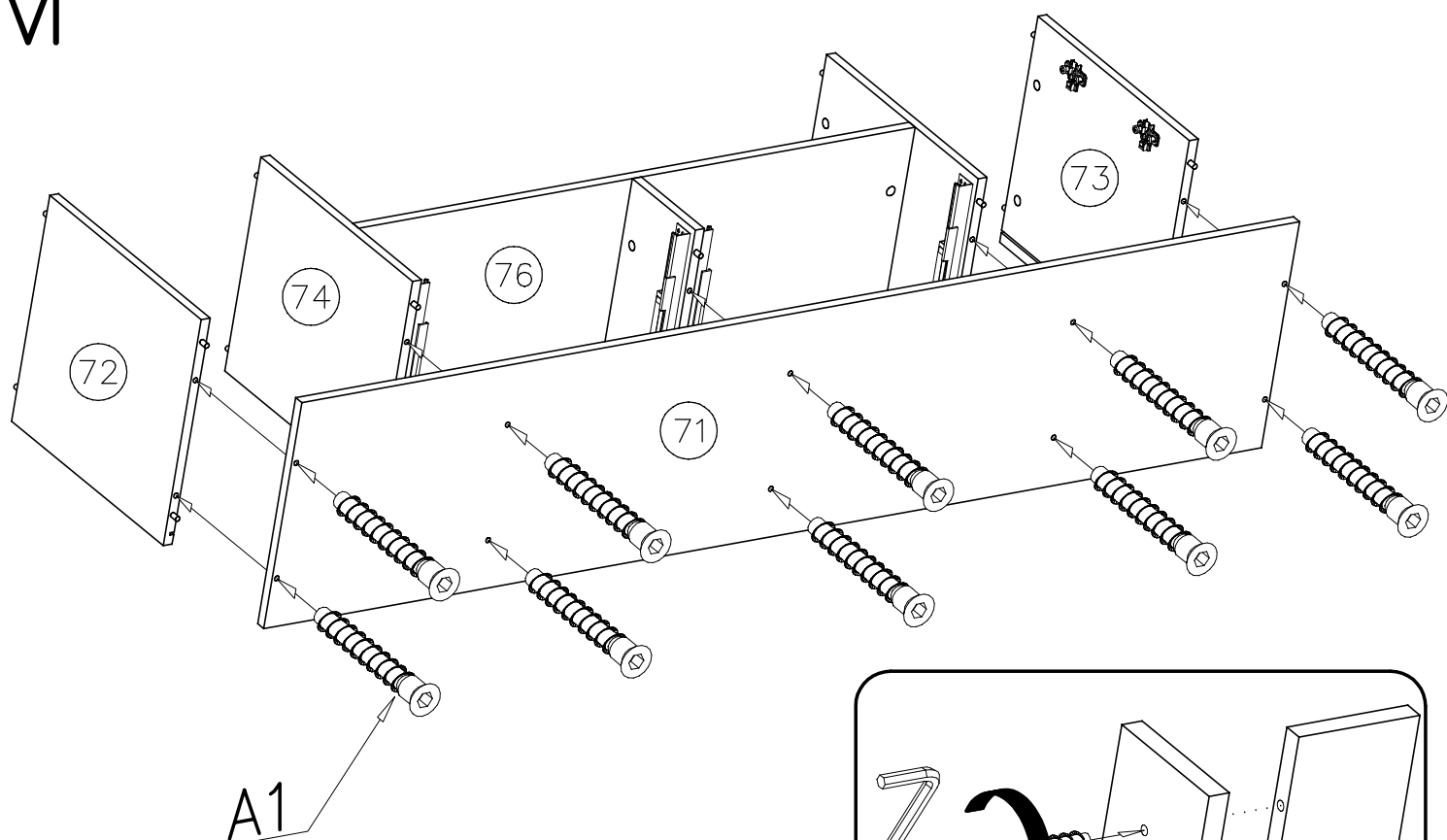


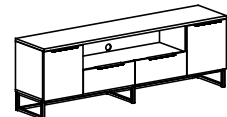


V

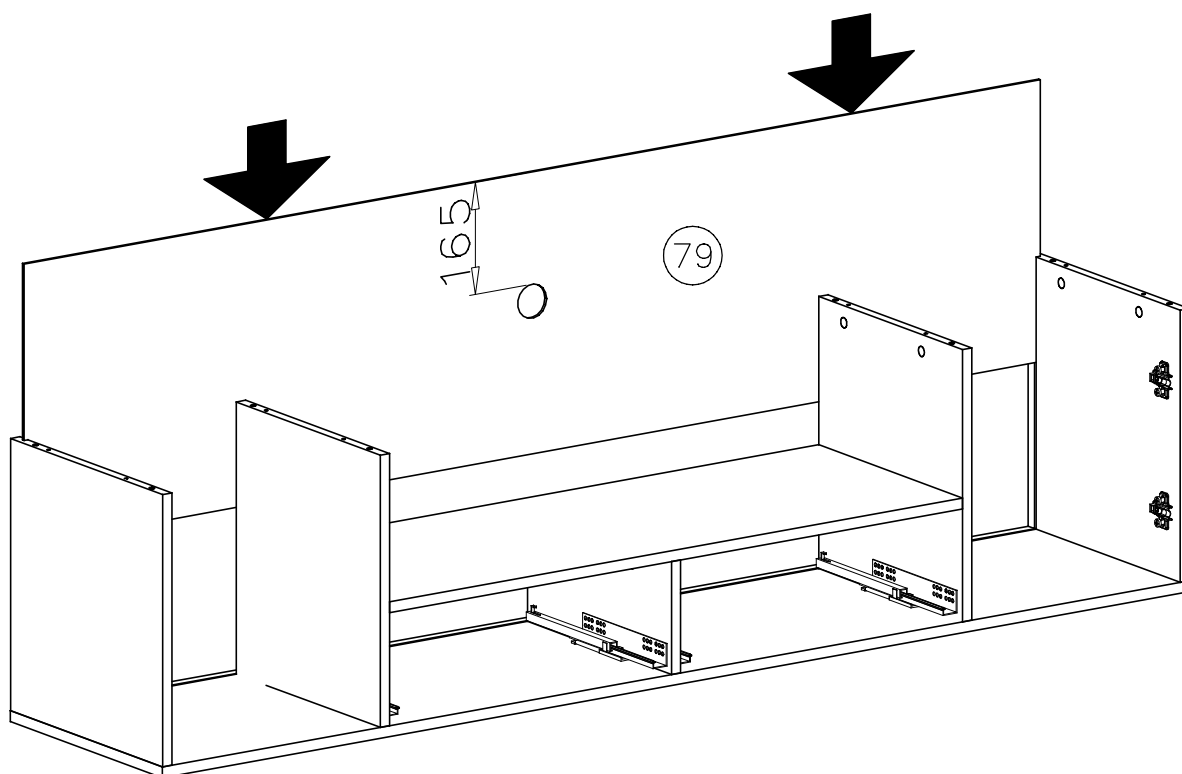


VI

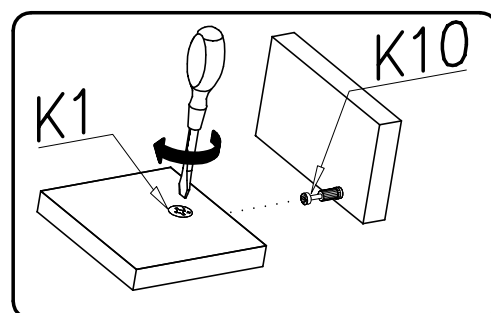
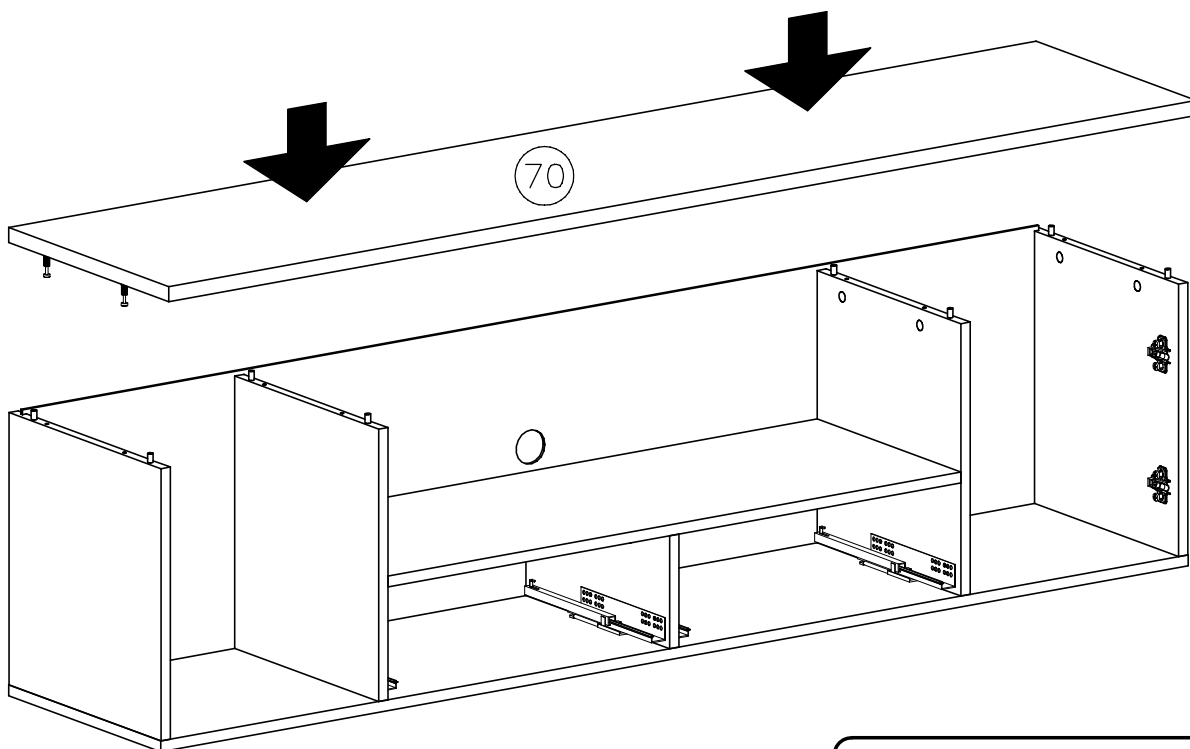


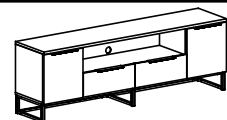


VII

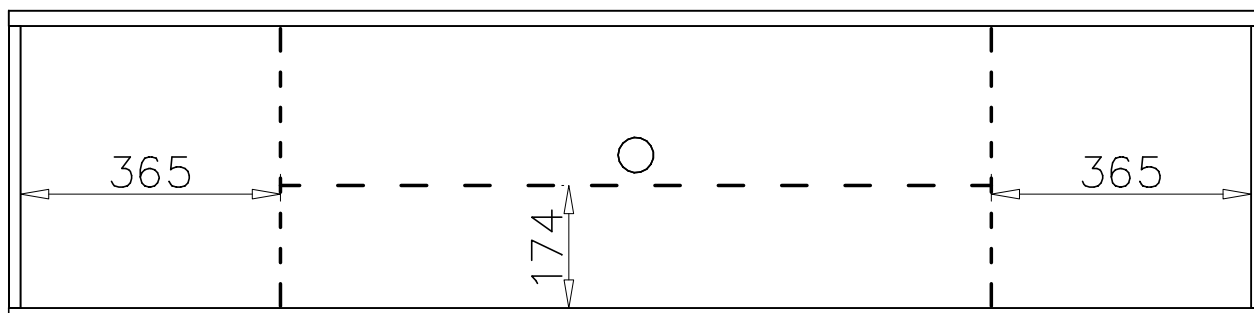


VIII

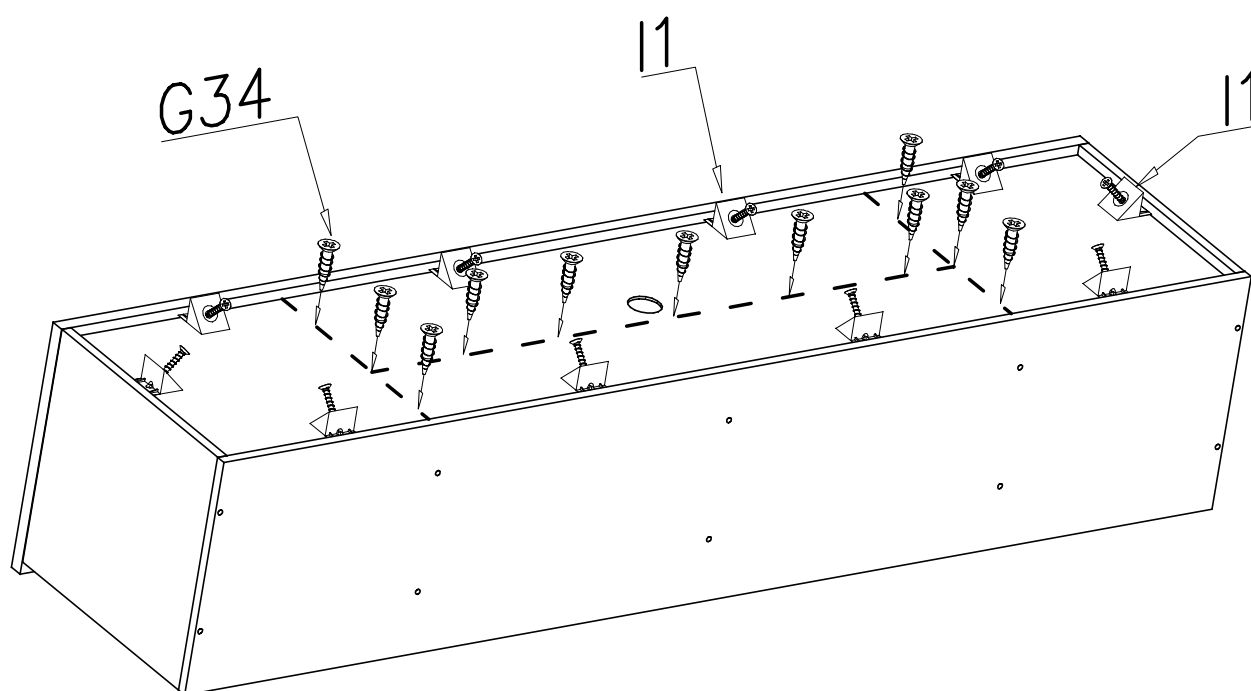
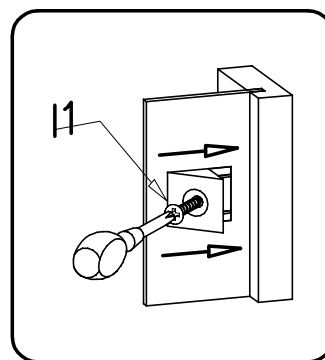
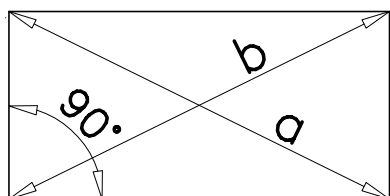


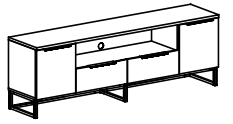


IX

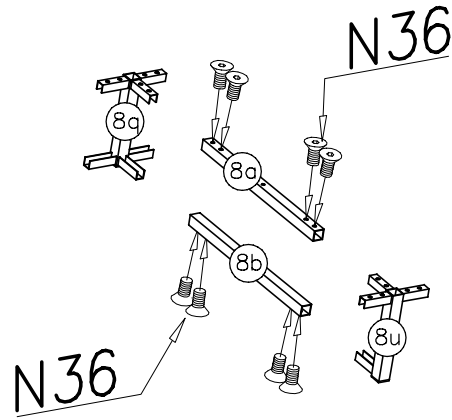
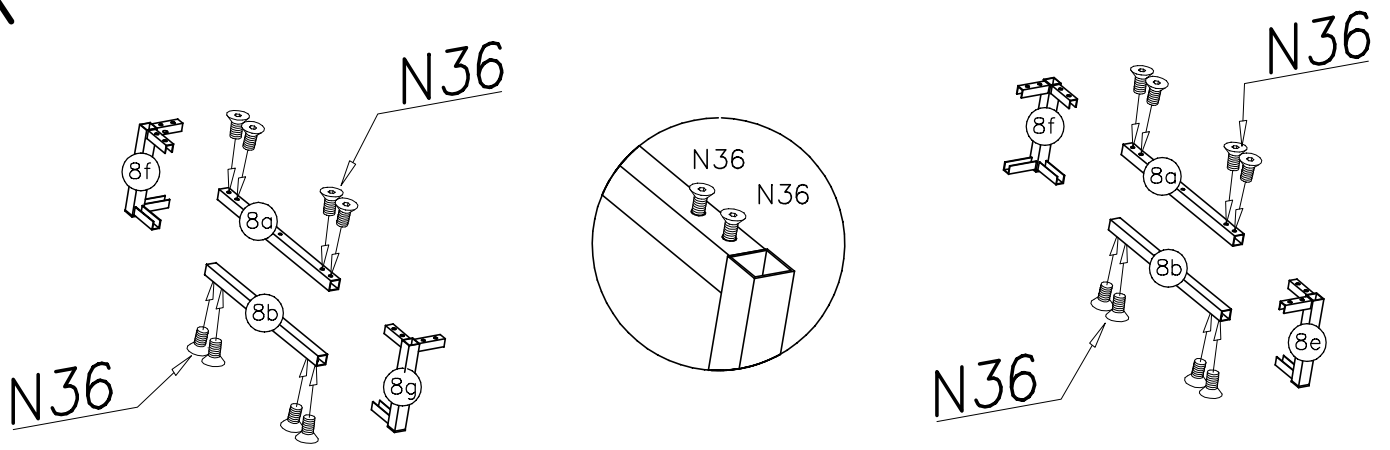


$a = b$

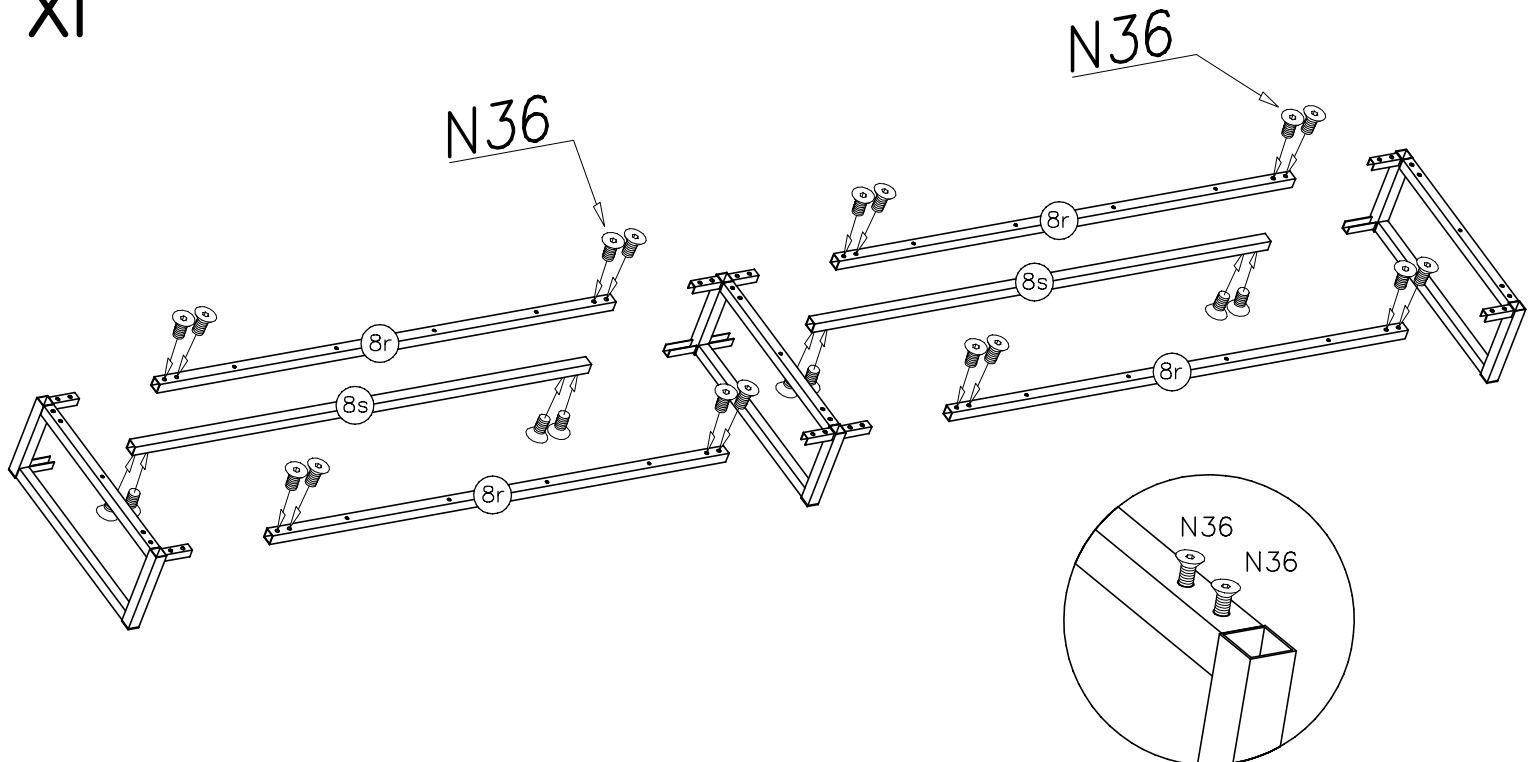


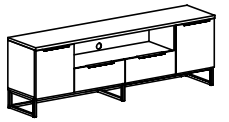


X

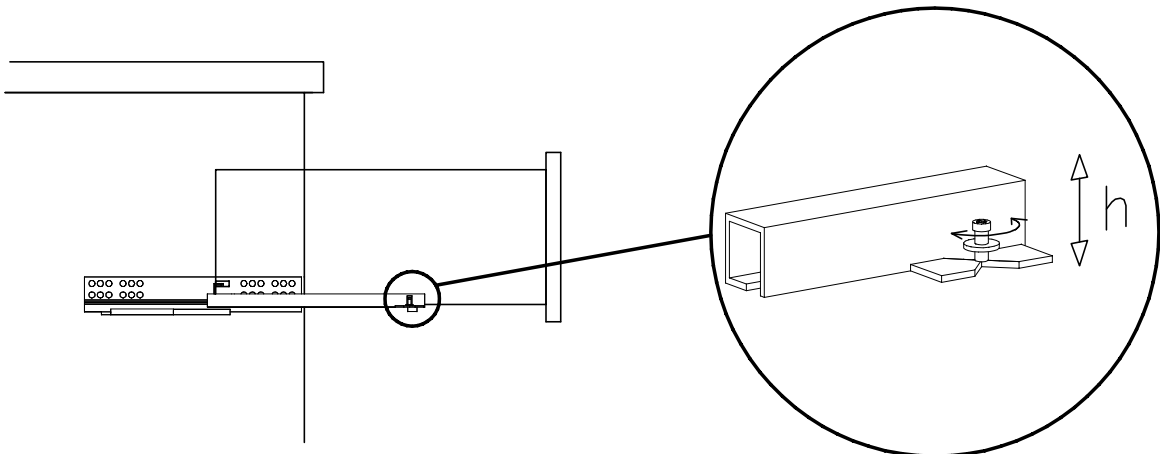
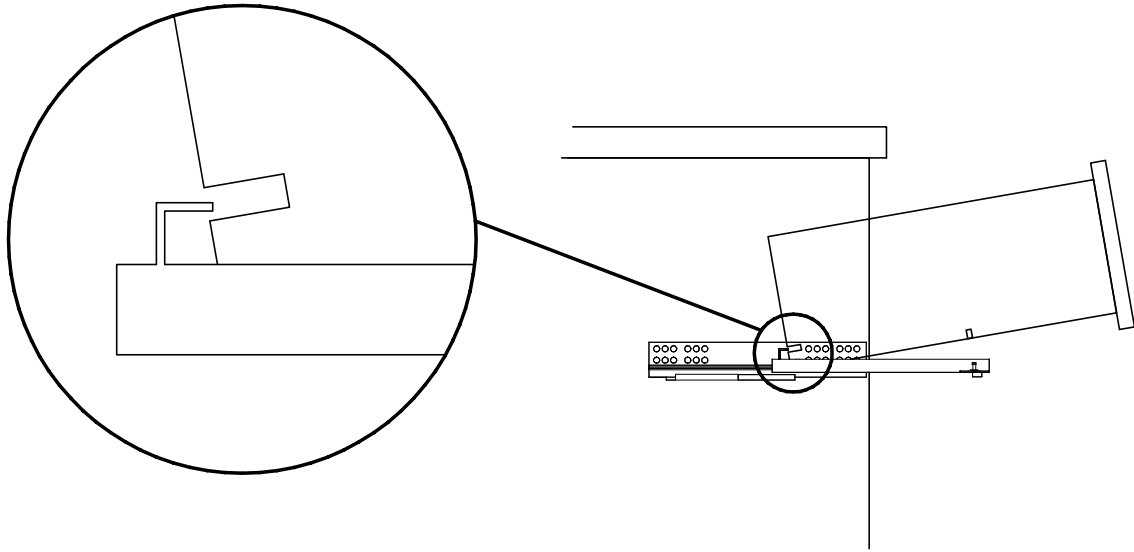
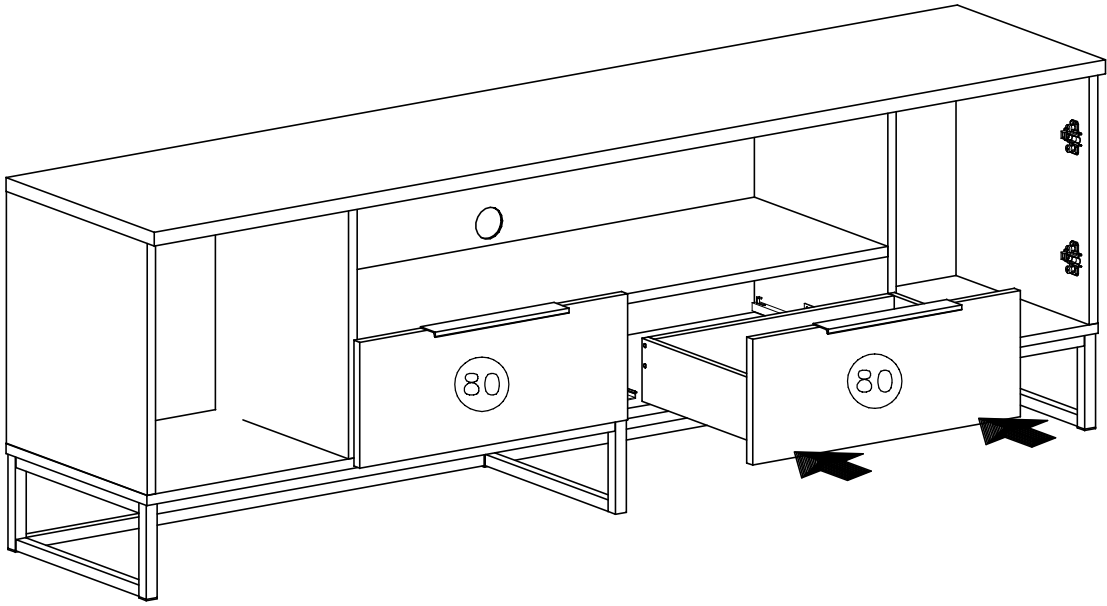


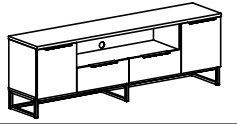
XI



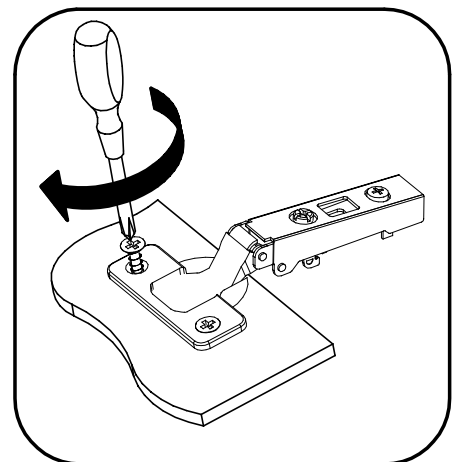
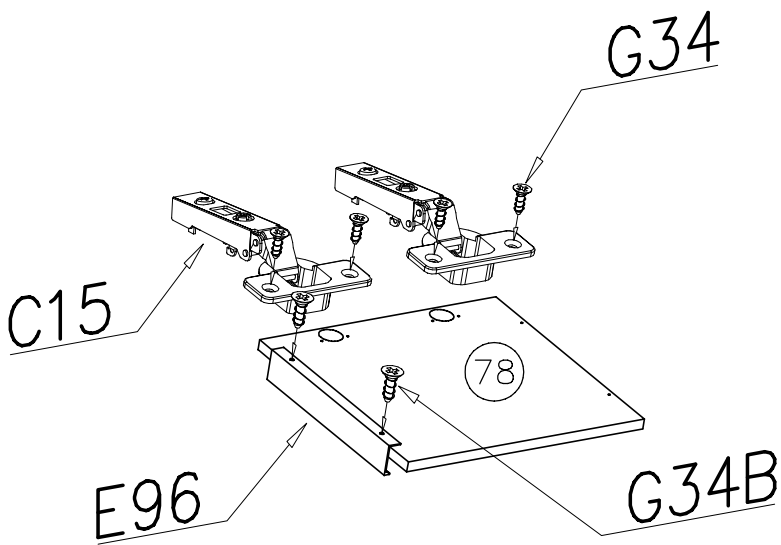
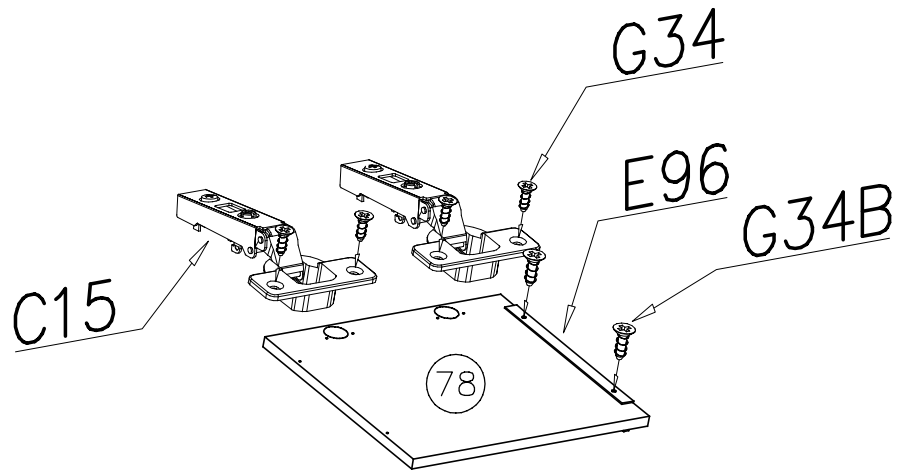


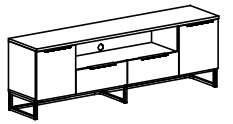
XIII





XIV





XV

