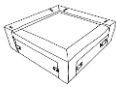

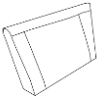

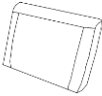





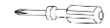
# ASSEMBLY INSTRUCTIONS

MODEL: LG-9801 CORNER

## LIST OF PARTS

NO.	Description	Item	Quantity	NO.	Description	Item	Quantity
A	SEAT		1 PC	E	LEFT BACK CUSHION		1 PC
B	BACK REST(SHORT)		1 PC	H	RIGHT BACK CUSHION		1PC
C	BACK REST(LONG)		1 PC	J	MALE BRACKET		4 PCS
D	ROUND PLASTIC LEGS (50x50x50mm)		4 PCS	W	SCREW (Ø8x45mm)		4 PCS

Please identify and locate all assembly parts (see parts list) before discarding any packing materials.  
Some parts may have become loose during transit.

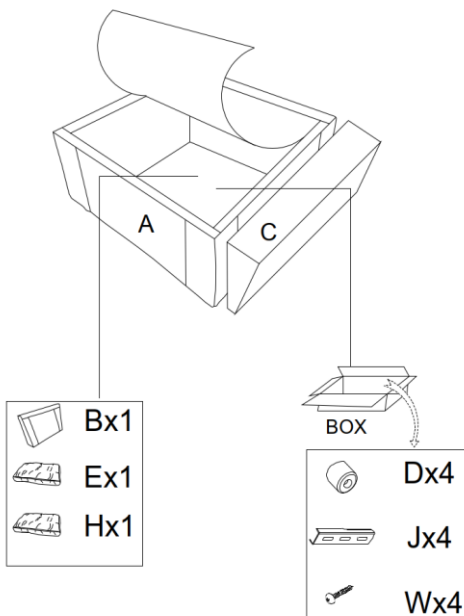


Not Included

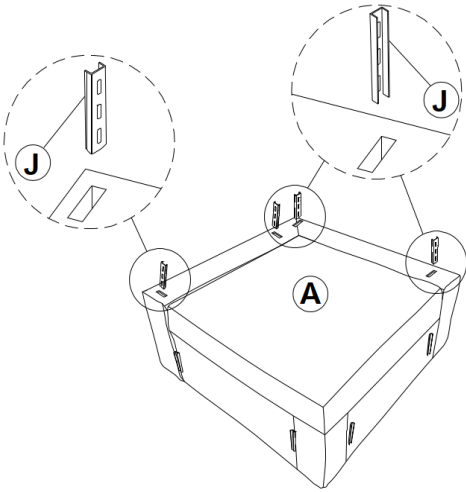
Note: Do not use power tools for assembly. Power tools increase the risk of over tightening which lead to splitting or cracking the wood.

## ASSEMBLY INSTRUCTIONS

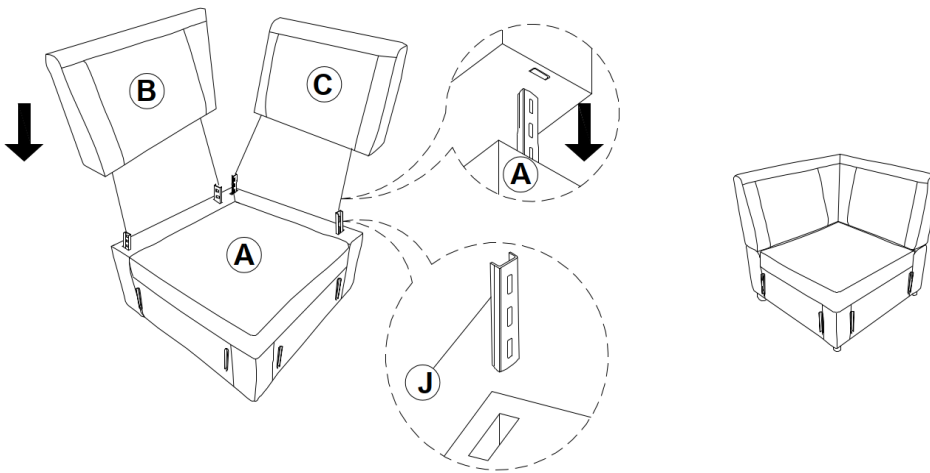
**STEP 1:** Take out carefully the Parts from the packing.



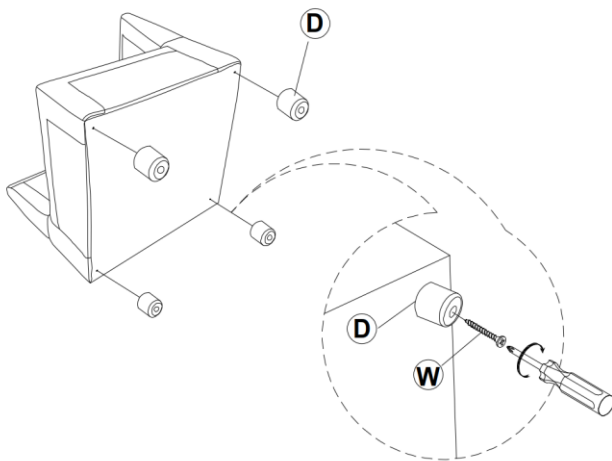
**STEP 2:** Attach the bracket into the seat



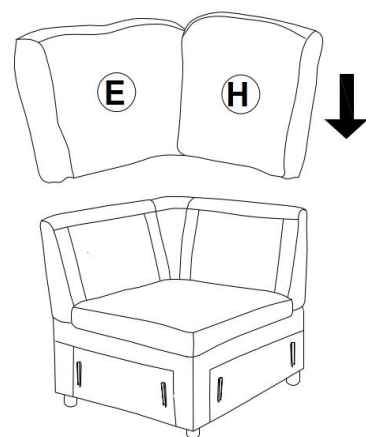
**STEP 3:** Assemble the backrest



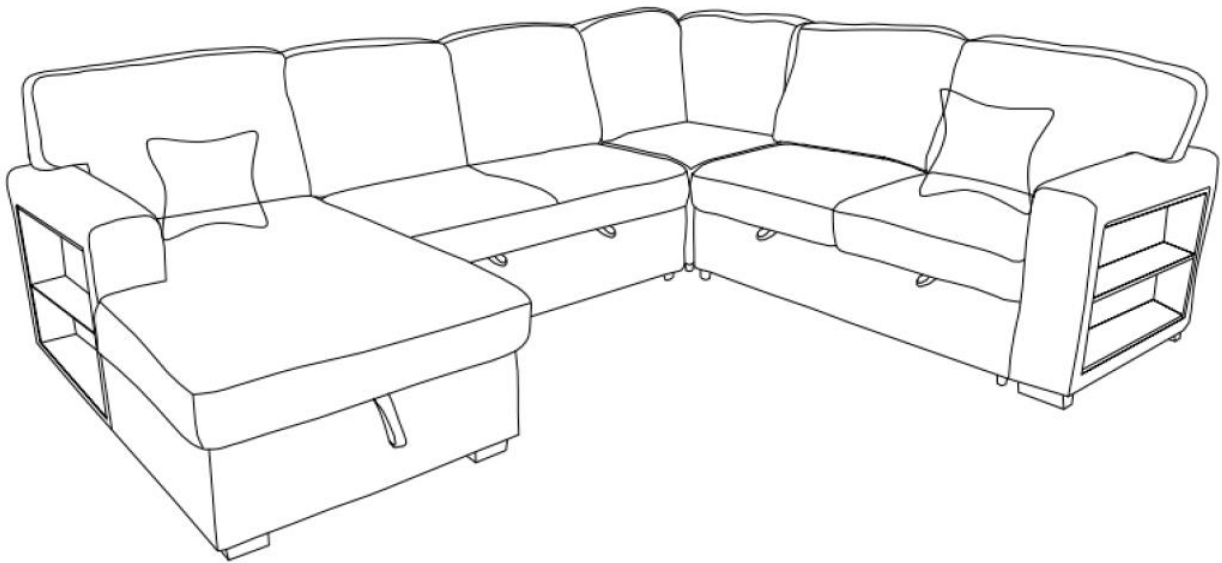
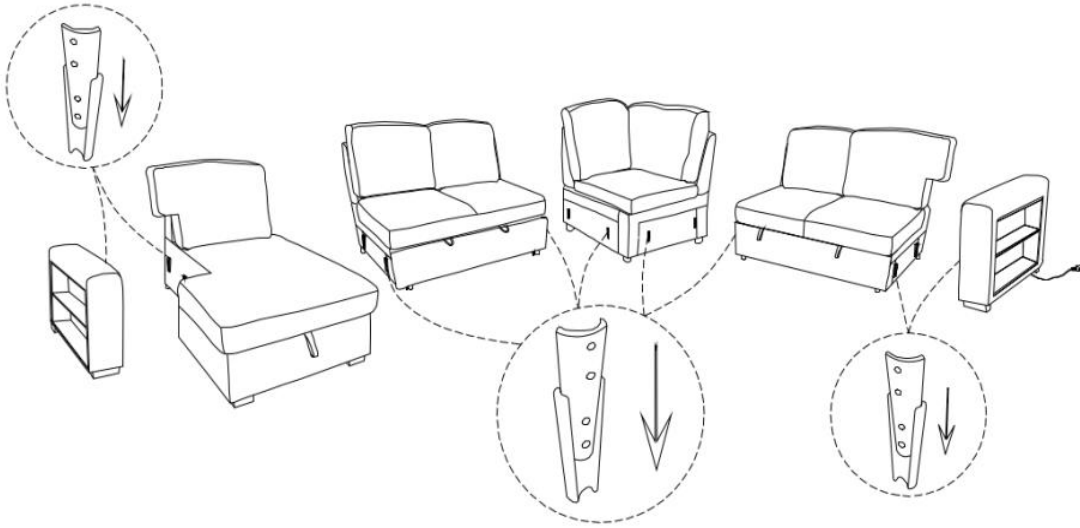
**STEP 3:** Assemble the legs



**STEP 4:**



**STEP 5: ASSEMBLE THE SECTIONAL**



**WARNINGS**

- Do not stand or jump on any portion of the sofa , whether in the open or closed position.
- For indoor use only.
- Please do not expose to direct sunlight.
- Do not allow electrical components to come into contact with any liquids.