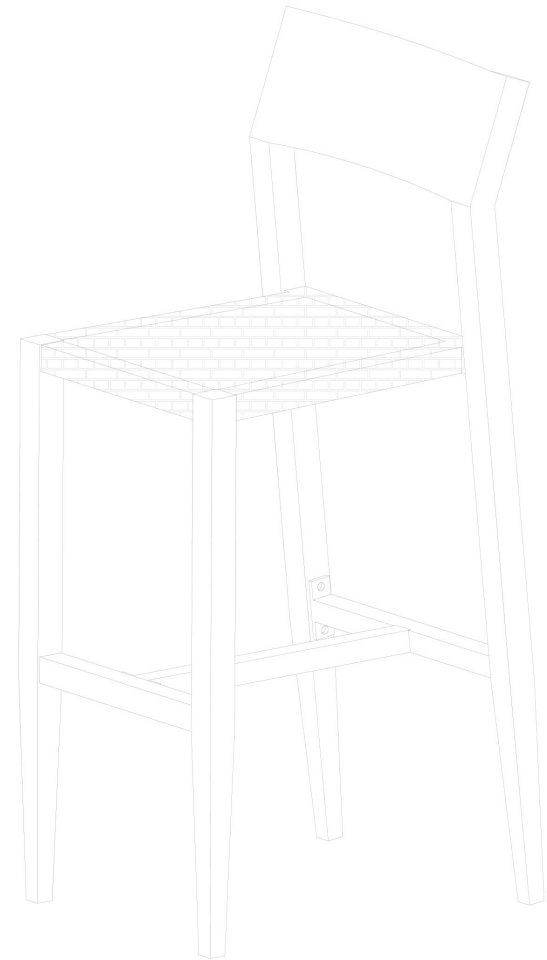
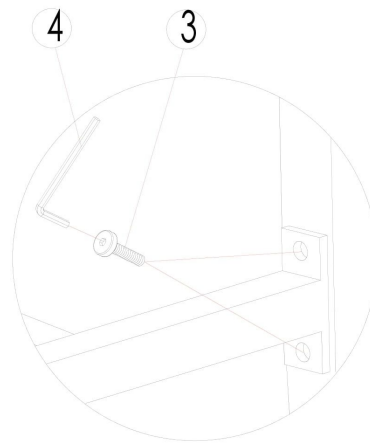
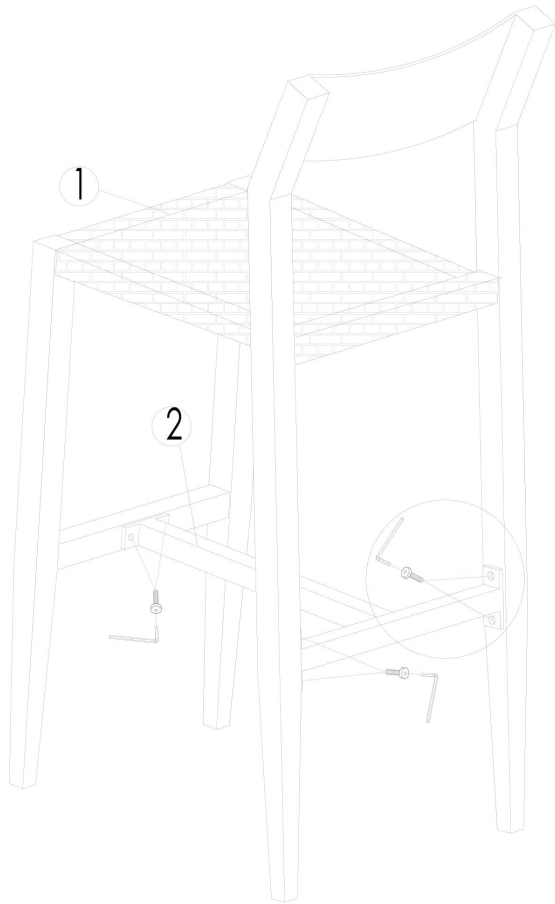


Assembly Instructions
Bar Stool

PLEASE NOTE: Check that you have received all components and hardware before assembling. If you are missing any parts, contact your retailer.



1		1PC	2		1PC	3		6PCS	4		1PC
---	---	-----	---	---	-----	---	---	------	---	---	-----

During assembly, hand tighten screws only. When the screws are in place, tighten completely.