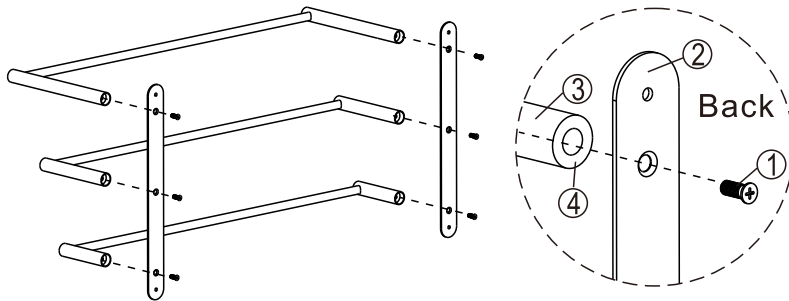
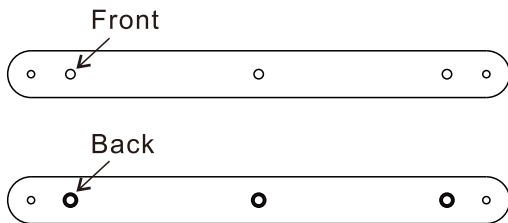
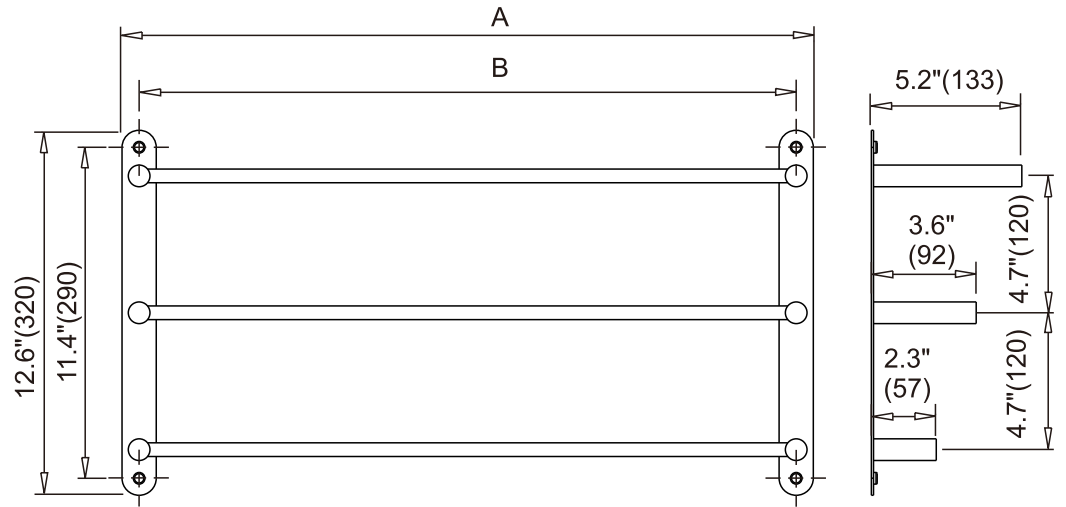


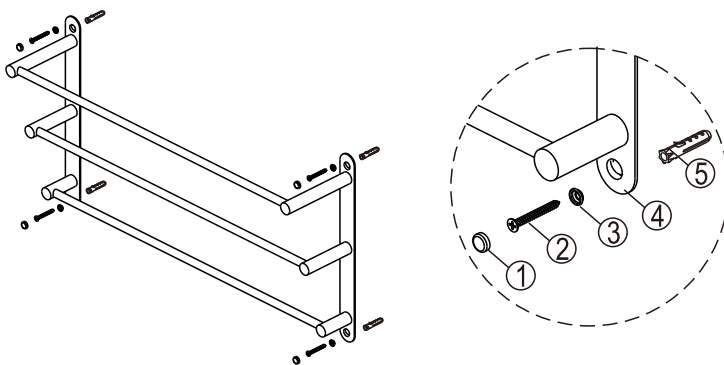
# Towel rack

unit:inch(mm)

MODEL	A	B
4050301-24	24"(607)	22"(557)
4050301-32	32"(810)	26.8"(680)



Make sure to install the pad (4) on the towel bar base (3). Put the screw (1) through the plate (2) from back side and the pad (4), tighten the plate (2) and towel bar (3) with the screw (1).



Select a location on the vertical wall to install the bracket. Mark anchor mounting hole locations on wall as shown, ensure four screw holes are horizontal. Drill holes in the finished wall as required.

1. Press the anchors (5) into the holes.
2. Put the self-tapping screw (2) through the button seat (3),
3. secure the bracket (4) with the self-tapping screws (2).
4. Buckle up the button (1)

## NOTE:

These products should be located and mounted to a wall. While it is possible to mount them to any surface, a stud or concrete mounted product will yield the best results.

## DANGER:(Risk of personal injury)

These products are not designed or intended for use as a grab bar or support bar. Do not install any of these products in any area where they are likely to be used inadvertently as a grab bar or support bar.

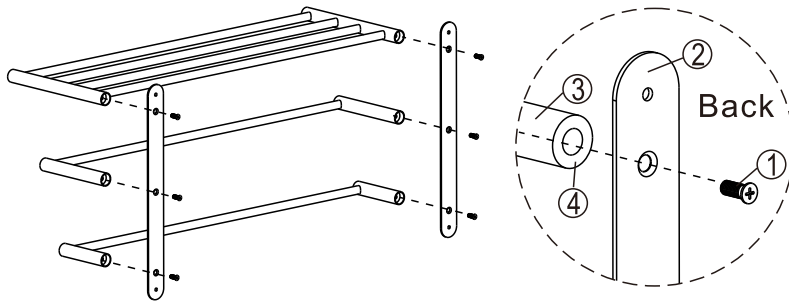
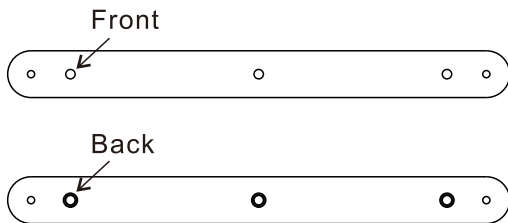
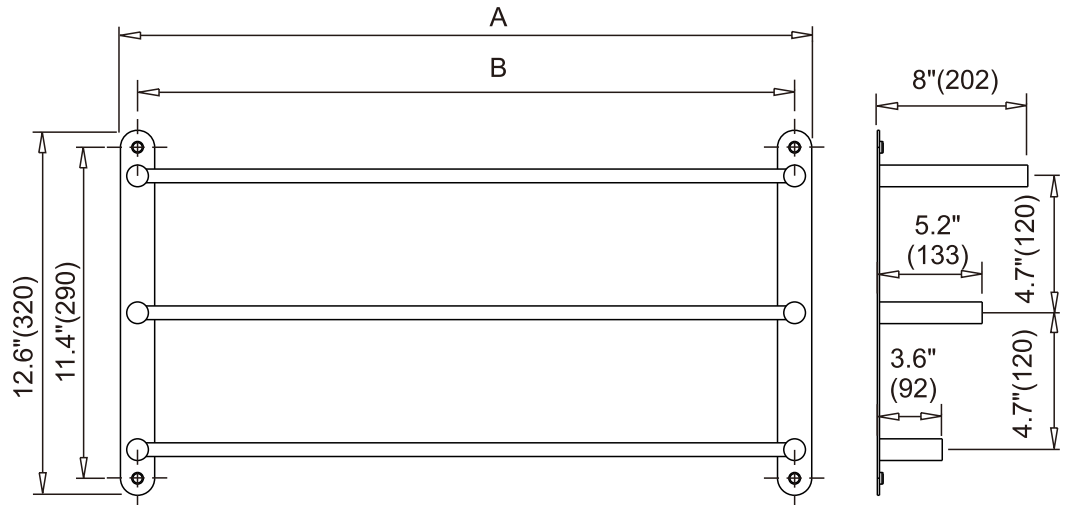
## Cleaning Instructions:

To preserve the fine finish of this product, clean only with a soft damp cloth. Dry well. Do not use commercial or abrasive cleaners.

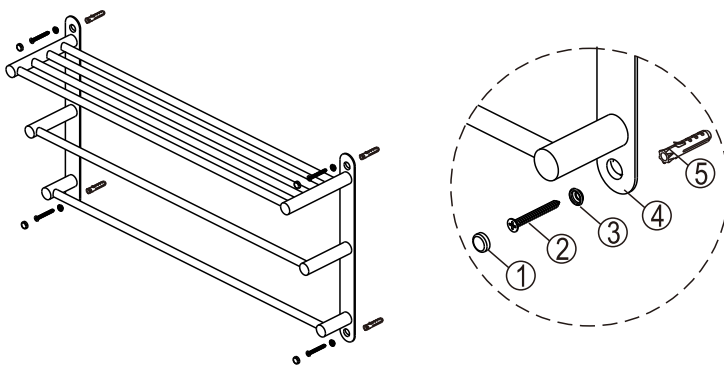
# Towel rack

unit:inch(mm)

MODEL	A	B
4050201-24	24"(607)	22"(557)
4050201-32	32"(810)	26.8"(680)



Make sure to install the pad (4) on the towel bar base (3)  
Put the screw (1) through the plate (2) from back side and the pad (4),  
tighten the plate (2) and towel bar (3) with the screw (1).



Select a location on the vertical wall to install the bracket.  
Mark anchor mounting hole locations on wall as shown, ensure four screw holes are horizontal.  
Drill holes in the finished wall as required.

1. Press the anchors (5) into the holes.
2. Put the self-tapping screw (2) through the button seat (3),
3. secure the bracket (4) with the self-tapping screws (2).
4. Buckle up the button (1)

## NOTE:

These products should be located and mounted to a wall.  
While it is possible to mount them to any surface, a stud or concrete mounted product will yield the best results.

## DANGER:(Risk of personal injury)

These products are not designed or intended for use as a grab bar or support bar. Do not install any of these products in any area where they are likely to be used inadvertently as a grab bar or support bar.

## Cleaning Instructions:

To preserve the fine finish of this product, clean only with a soft damp cloth. Dry well. Do not use commercial or abrasive cleaners.