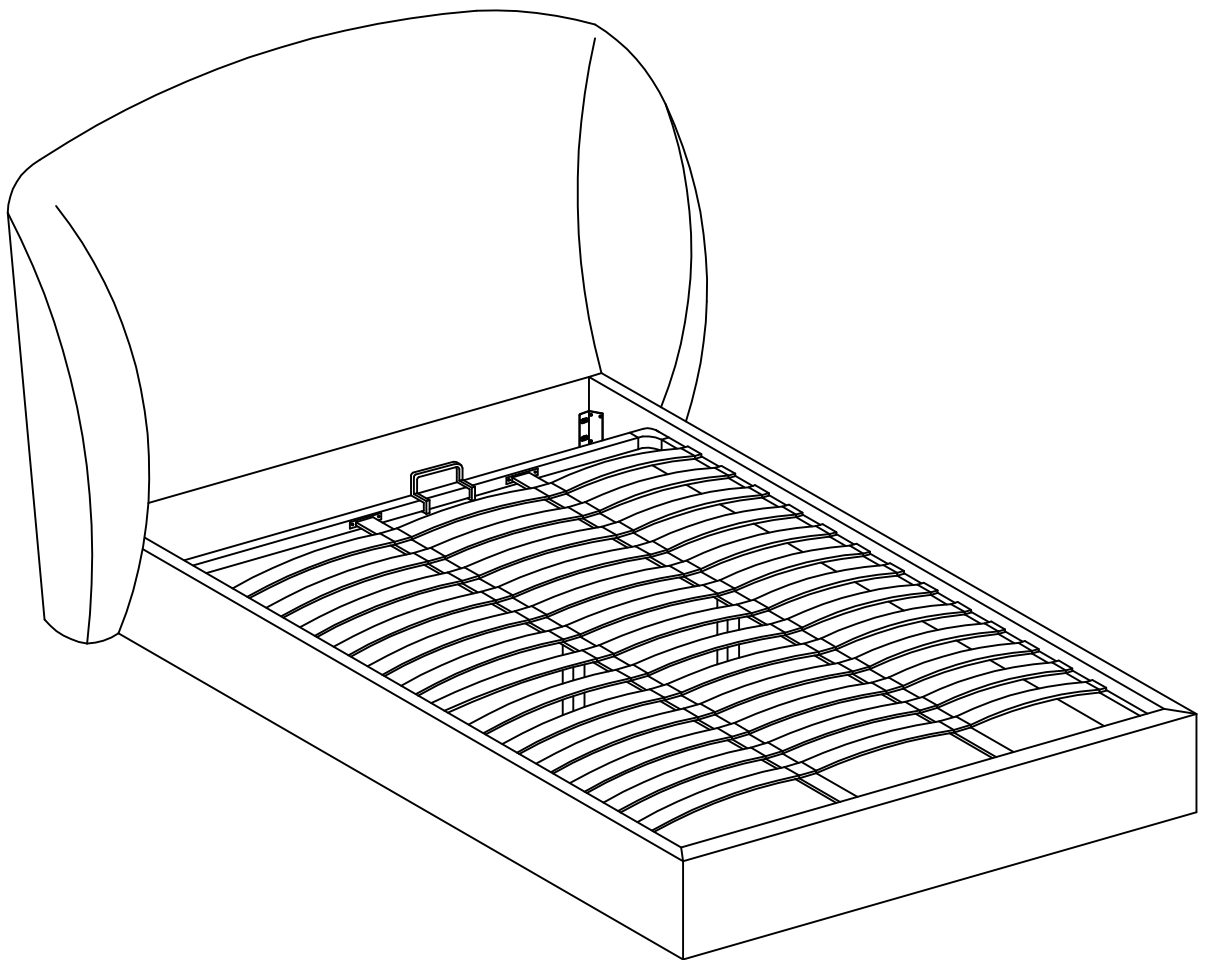


KJW.B018 Assembly Manual

KING BED



 **CAUTION**

THIS ASSEMBLY MANUAL CONTAINS IMPORTANT SAFETY INFORMATION.
PLEASE READ AND KEEP FOR FUTURE REFERENCE.

ASSEMBLY INSTRUCTIONS

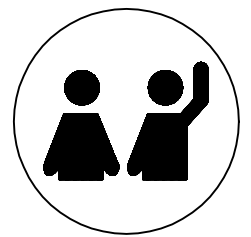
1. Read these instructions carefully and keep them for future reference.
2. Refer to the parts inventory for guidance, and ensure you have all pieces before starting.
3. When assembling, place all parts on a soft, clean, and flat surface (e.g., a carpet) to prevent scratches.



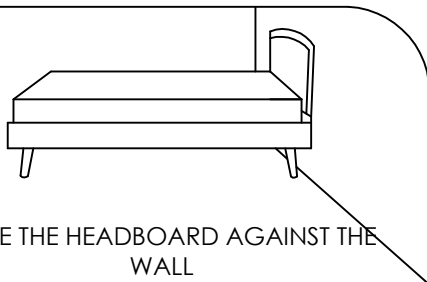
Structural integrity is only guaranteed if all bolts are installed and properly tightened.



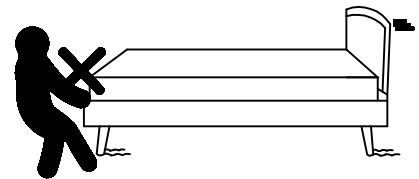
TIME



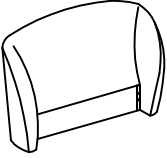
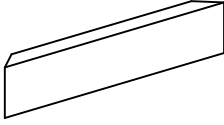
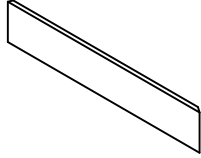
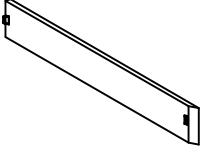
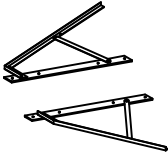


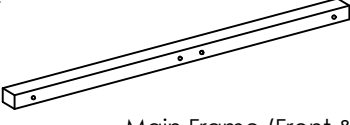
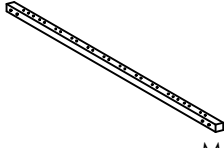
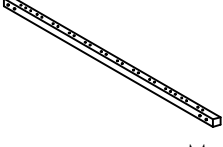
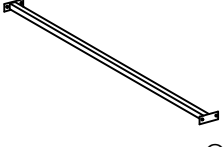


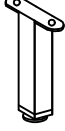
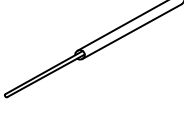
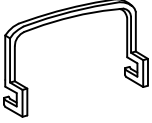

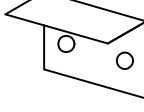



2 OF PEOPLE



PLACE THE HEADBOARD AGAINST THE
WALL



DO NOT DRAG BED, ALWAYS LIFT WITH
AT LEAST TWO PEOPLE BEFORE MOVING



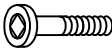

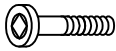
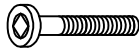
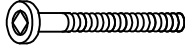

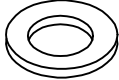









<p>A x 1</p>  <p>Headboard</p>	<p>B x 1</p>  <p>Footboard</p>	<p>C x 1</p>  <p>Side Rail (L)</p>
<p>D x 1</p>  <p>Side Rail (R)</p>	<p>E x 2</p>  <p>Pump Mounting Bracket</p>	<p>F x 2</p>  <p>Bracket Base</p>
<p>G x 2</p>  <p>FB / SR Angle Bracket</p>	<p>H x 2</p>  <p>Main Frame (Front & End)</p>	<p>I x 1</p>  <p>Main Frame (L)</p>
<p>J x 1</p>  <p>Main Frame (R)</p>	<p>K x 2</p>  <p>Center Rail</p>	<p>L x 4</p>  <p>Metal Corner Bracket</p>
<p>M x 4</p>  <p>Rubber Corner Connector</p>	<p>N x 2</p>  <p>Support Leg</p>	<p>O x 2</p>  <p>Gas Spring</p>
<p>P x 1</p>  <p>Handle</p>	<p>Q x 1</p>  <p>Black Woven</p>	<p>R x 2</p>  <p>Black Back Plate</p>
<p>S x 39</p>  <p>Slat</p>	<p>T x 26</p>  <p>End Holder</p>	<p>U x 26</p>  <p>Middle Holder</p>

Please read through the instructions below to familiarize yourself with the parts and steps before assembly.

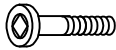

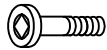
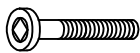


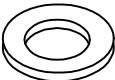


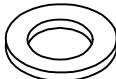

Before you begin:

1. Check if you have received all parts using the diagram on this page. Do not start the assembly process until all parts are present.

2. Do not discard any of the packaging until you are certain that you have all the necessary parts for the assembly.

1 x 1  M5 Allen Key	2 x 1  M4 Allen Key	3 x 8  JCBB M8 x 30
4 x 14  JCBB M8 x 50	5 x 12  JCBC M6 x 20	6 x 8  JCBC M6 x 40
7 x 20  JCBC M6 x 50	8 x 28  M8 Spring Washer	9 x 28  M8 Flat Washer
10 x 14  M8 Hex Nut	11 x 60  M6 Spring Washer	12 x 60  M6 Flat Washer
13 x 20  M6 Hex Nut	14 x 1  M8 Spanner	15 x 1  M6 Spanner
16 x 2  Frame Lifter	17 x 2  Big Adjuster (Pre-attached with support leg)	18 x 6  Carpet Pad (Optional)

Extra Hardware :

x 1  JCBB M8 x 30	x 1  JCBB M8 x 50	x 1  JCBC M6 x 20
x 1  JCBC M6 x 40	x 1  JCBC M6 x 50	x 1  M8 Spring Washer
x 1  M8 Flat Washer	x 1  M8 Hex Nut	x 1  M6 Spring Washer
x 1  M6 Flat Washer	x 1  M6 Hex Nut	

Please read through the instructions below to familiarize yourself with the parts and steps before assembly.

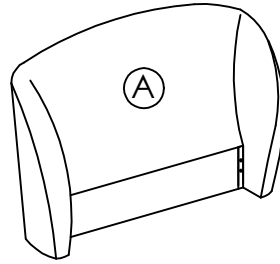
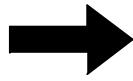
Before you begin:

1. Check if you have received all parts using the diagram on this page. Do not start the assembly process until all parts are present.
2. Do not discard any of the packaging until you are certain that you have all the necessary parts for the assembly.

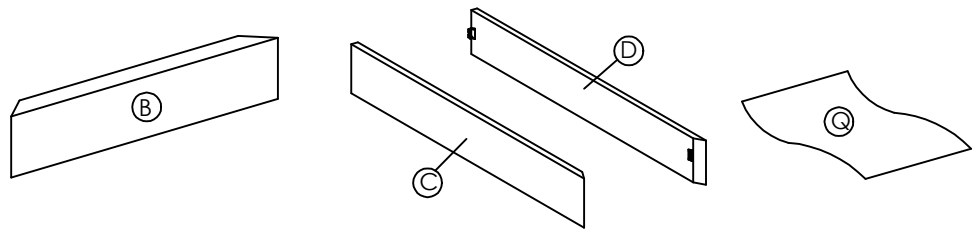
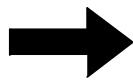
ASSEMBLY INSTRUCTIONS

1 Please lay all parts on a soft and smooth surface to assemble.

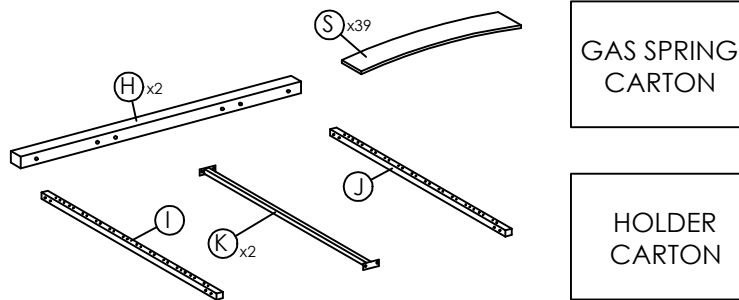
BOX 1



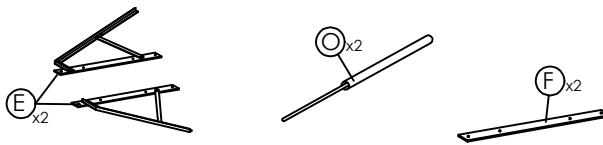
BOX 2



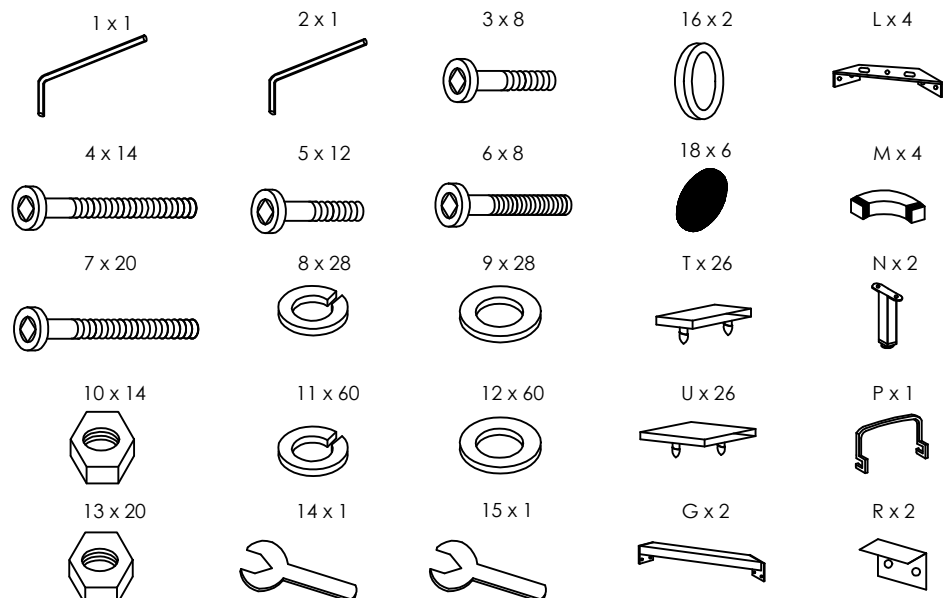
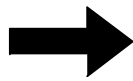
BOX 3



GAS SPRING
CARTON

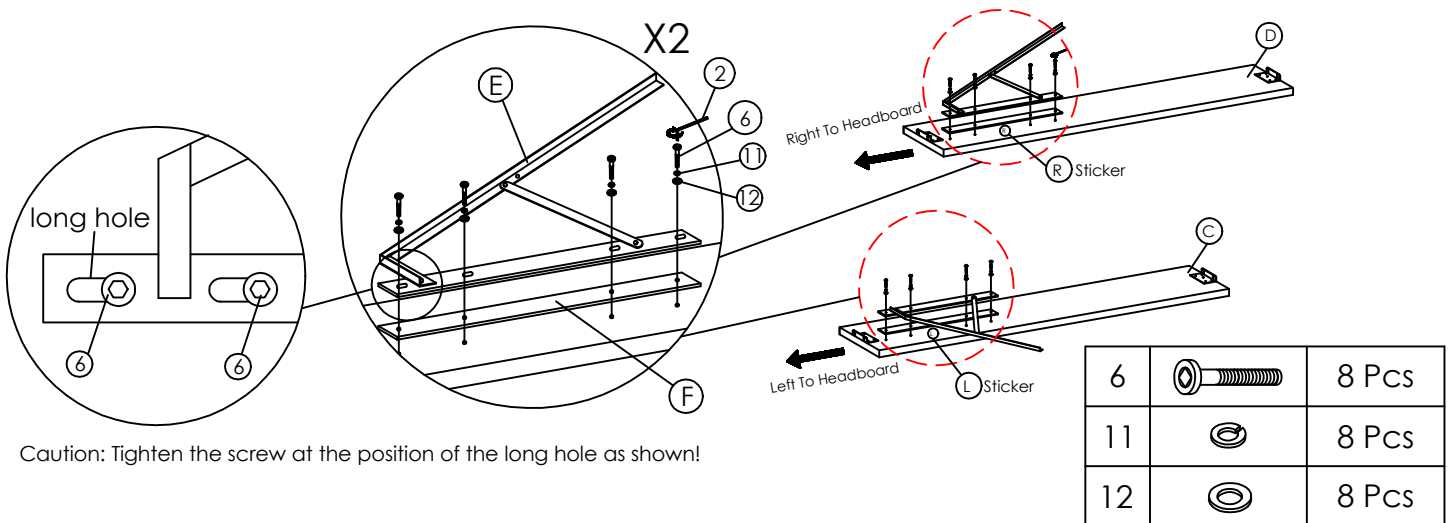


HOLDER
CARTON



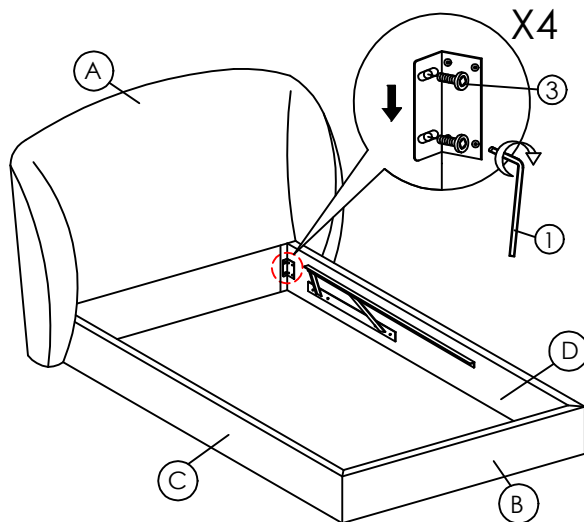
ASSEMBLY INSTRUCTIONS


- 2** Attach Pump Mounting Bracket (E) and Bracket Base (F) to both Side Rail (C&D) using JCBC M6 x 40 (6), M6 Spring Washer (11), M6 Flat Washer (12), and M4 Allen Key (2).



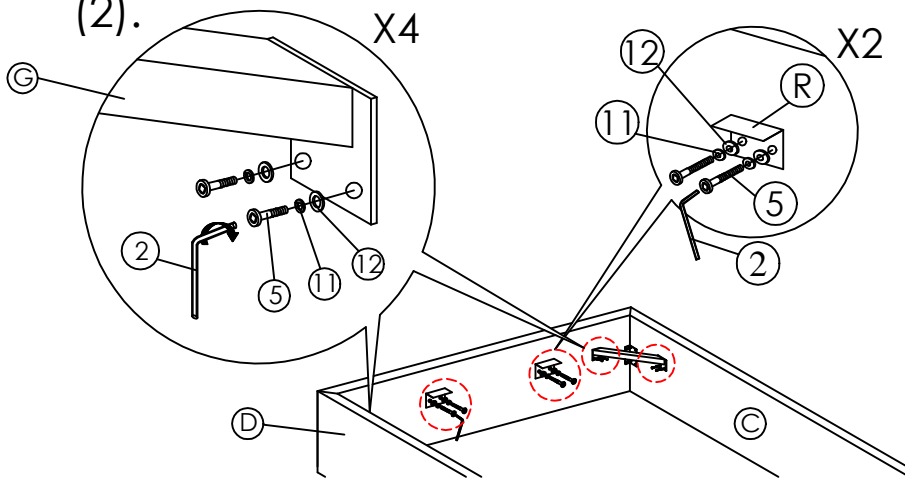
Caution: Tighten the screw at the position of the long hole as shown!

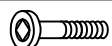


- 3** Tighten the Side Rail (C&D) to Headboard (A) and Footboard (B) using JCBB M8 x 30 (3), and M5 Allen Key (1).



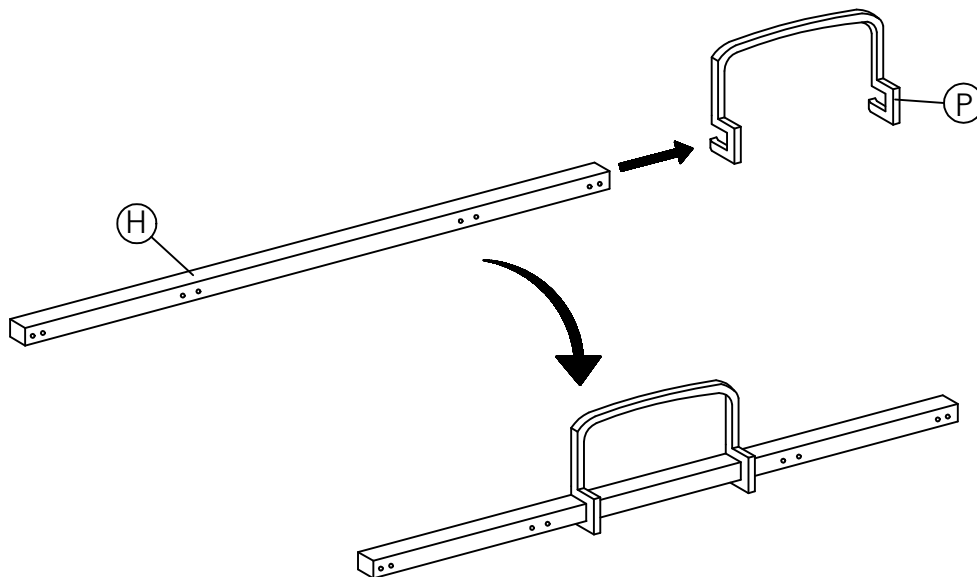
3		8 Pcs
---	---	-------

- 4** Tighten the Angle Bracket (G) to Footboard (B) & Side Rail (C&D) using JCBC M6 x 20 (5), M6 Spring Washer (11), M6 Flat Washer (12), and M4 Allen Key (2). Tighten Black Back Plate (R) to Footboard (B) using JCBC M6 x 20 (5), M6 Spring Washer (11), M6 Flat Washer (12), and M4 Allen Key (2).

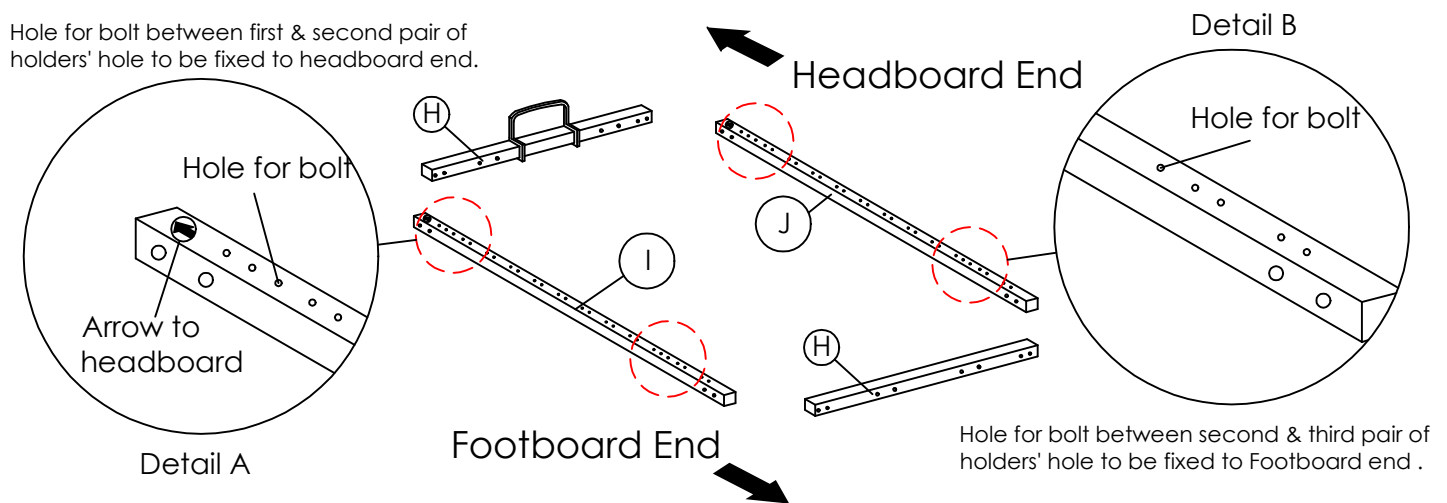


5		12 Pcs
11		12 Pcs
12		12 Pcs

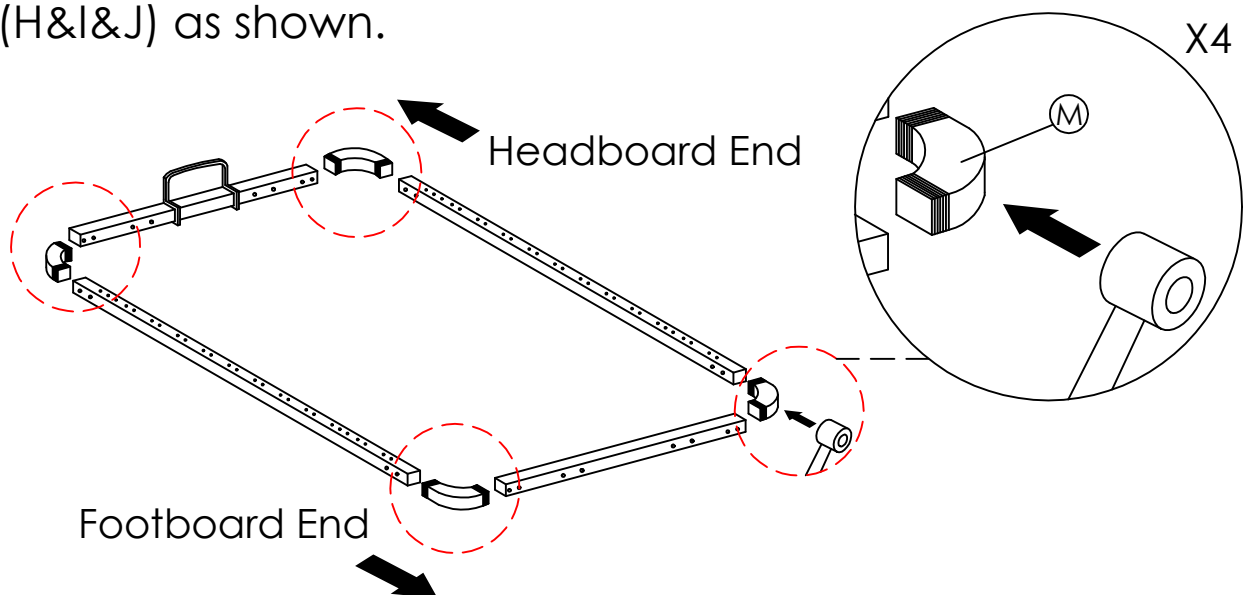
- 5** Attach the Handle (P) to the Main Frame (H) as shown.



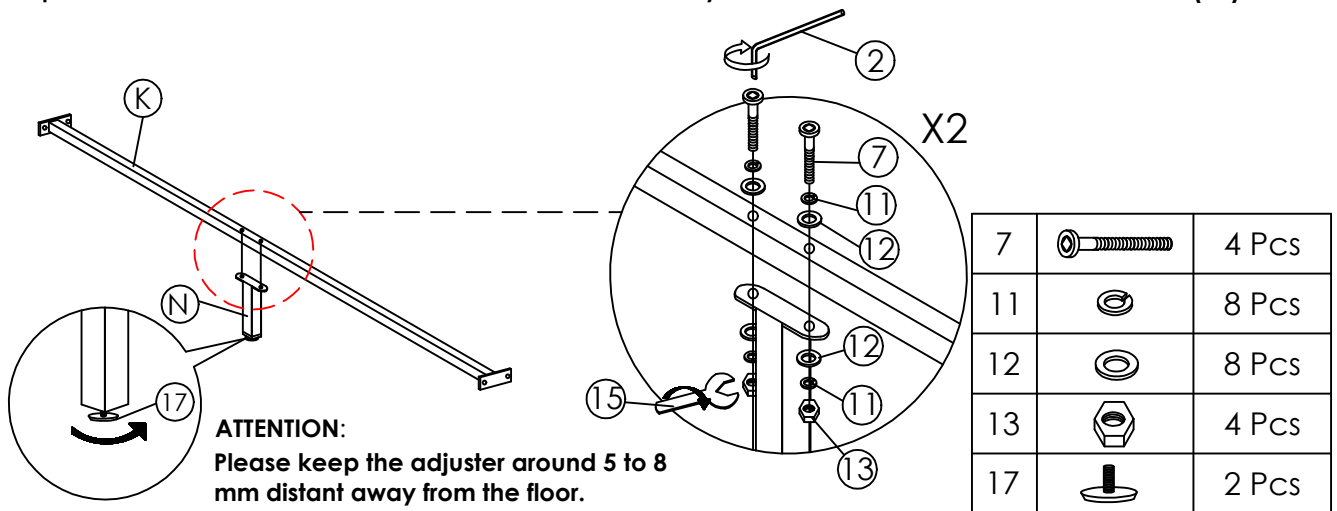
- 6** Assemble the Main Frame (H&I&J) as shown. The hole for bolt between first & second pair of holders indicate the frame end where it will need to fix to headboard end. The hole for bolt between second & third pair of holders indicate the frame end where it will need to fix to footboard end. Attach the Main Frame (I&J) to Main Frame (H) by following the arrow label.



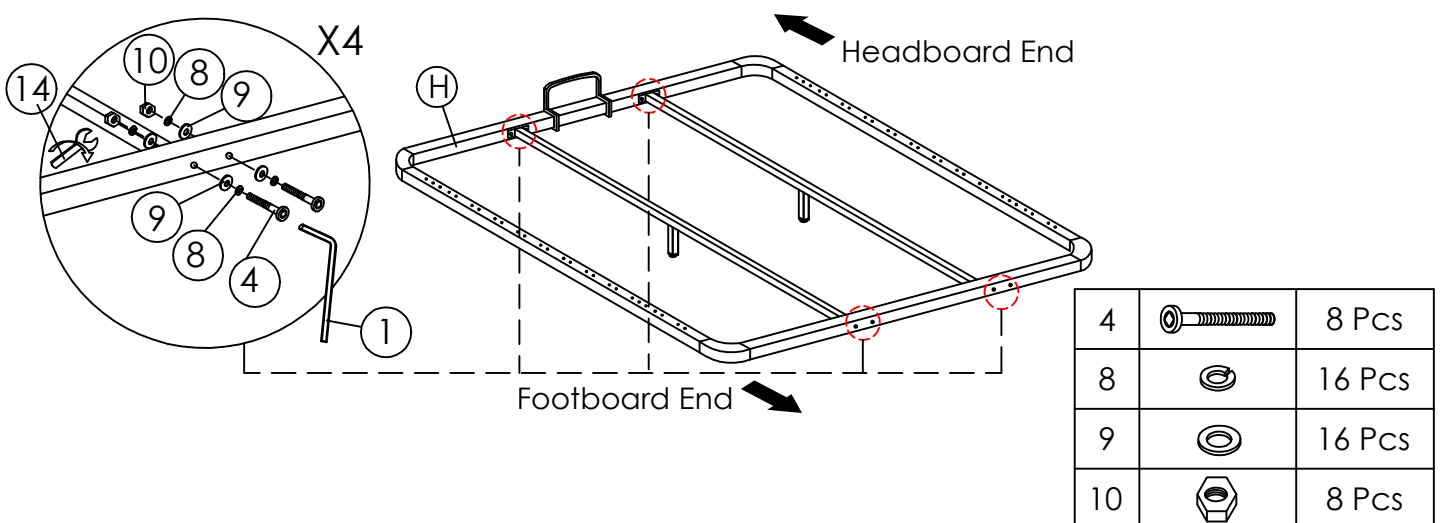
- 7** By using a rubber hammer or similar tool to gently hammer in the Rubber Corner Connector (M) to the Metal Frame (H&I&J) as shown.



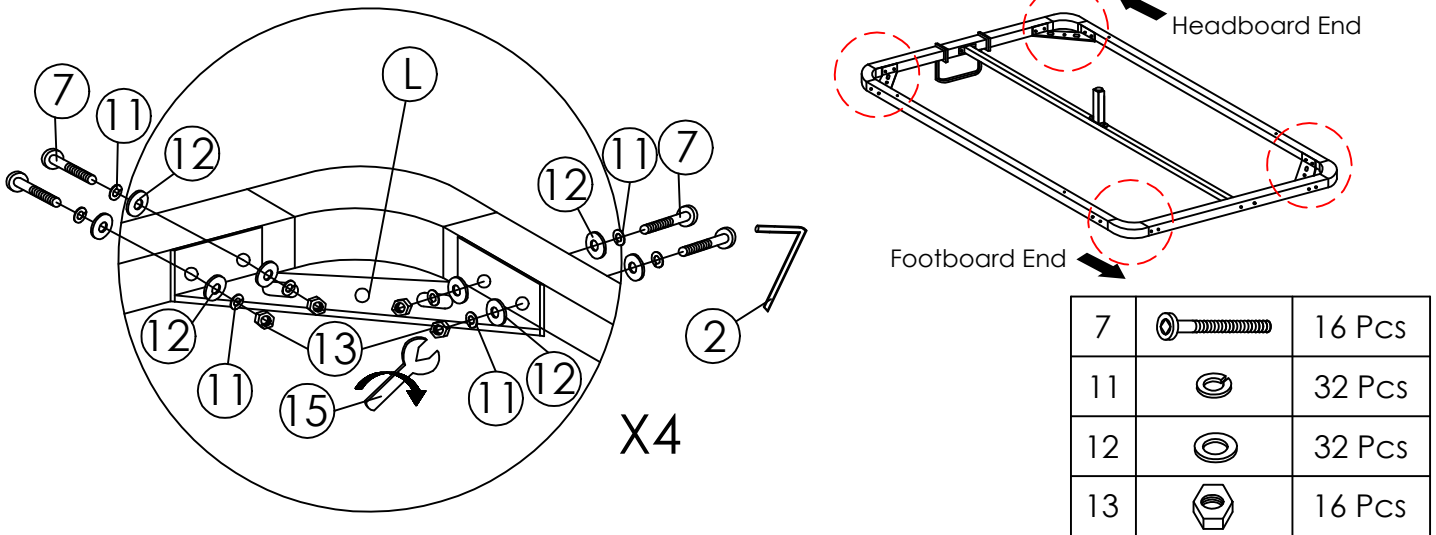
- 8** Attach the Support Leg (N) to the Center Rail (K) of the bed using JCBC M6 x 50 (7), M6 Spring Washer (11), M6 Flat Washer (12), M6 Hex Nut (13), M4 Allen Key (2), and M6 Spanner (15). Slot the team lifter in the Center Rail (K). Make sure the position of the frame lifter always near the Footboard (B).



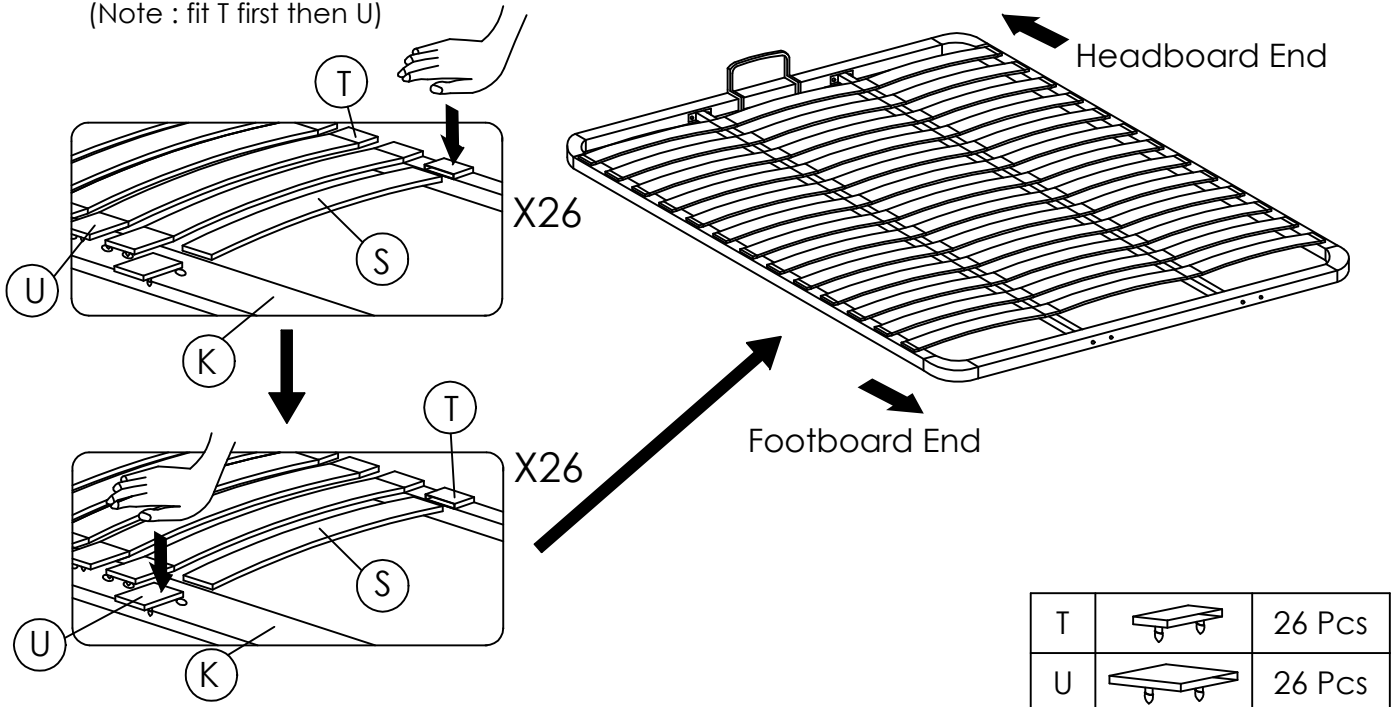
- 9** Attach the Center Rail (K) to the Main Frame (H) using JCBB M8 x 50 (4), M8 Spring Washer (8), M8 Flat Washer (9), M8 Hex Nut (10), M5 Allen Key (1), and M8 Spanner (14) as shown and fully tighten all the screw of the main frame.



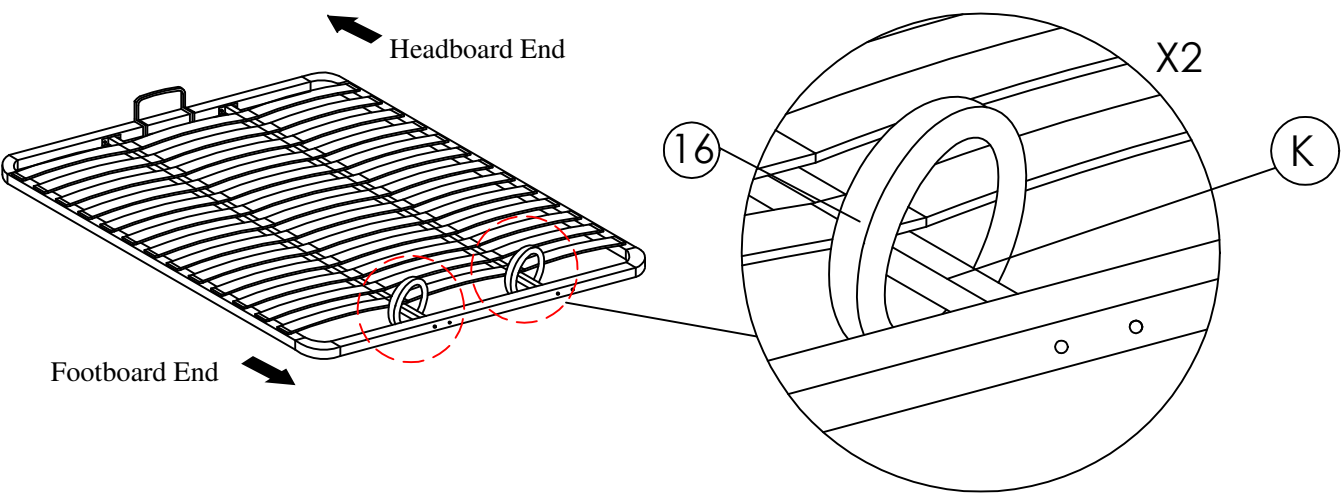
- 10** Turn the frame upside down for fixing the Metal Corner Bracket (L) to the Main Frame (H&I&J) using JCBC M6 x 50 (7), M6 Spring Washer (11), M6 Flat Washer (12), M6 Hex Nut (13), M4 Allen Key (2), and M6 Spanner (15) as shown.



- 11** Install the Slat Holders (T&U) with the Slat (S) and fix to the Main Frame (I&J) and Center Rail (K).
Fit Slat Holders (T) first & attach to outside rail, then fit Slat Holders (U) and attach to Center Rail
(Note : fit T first then U)

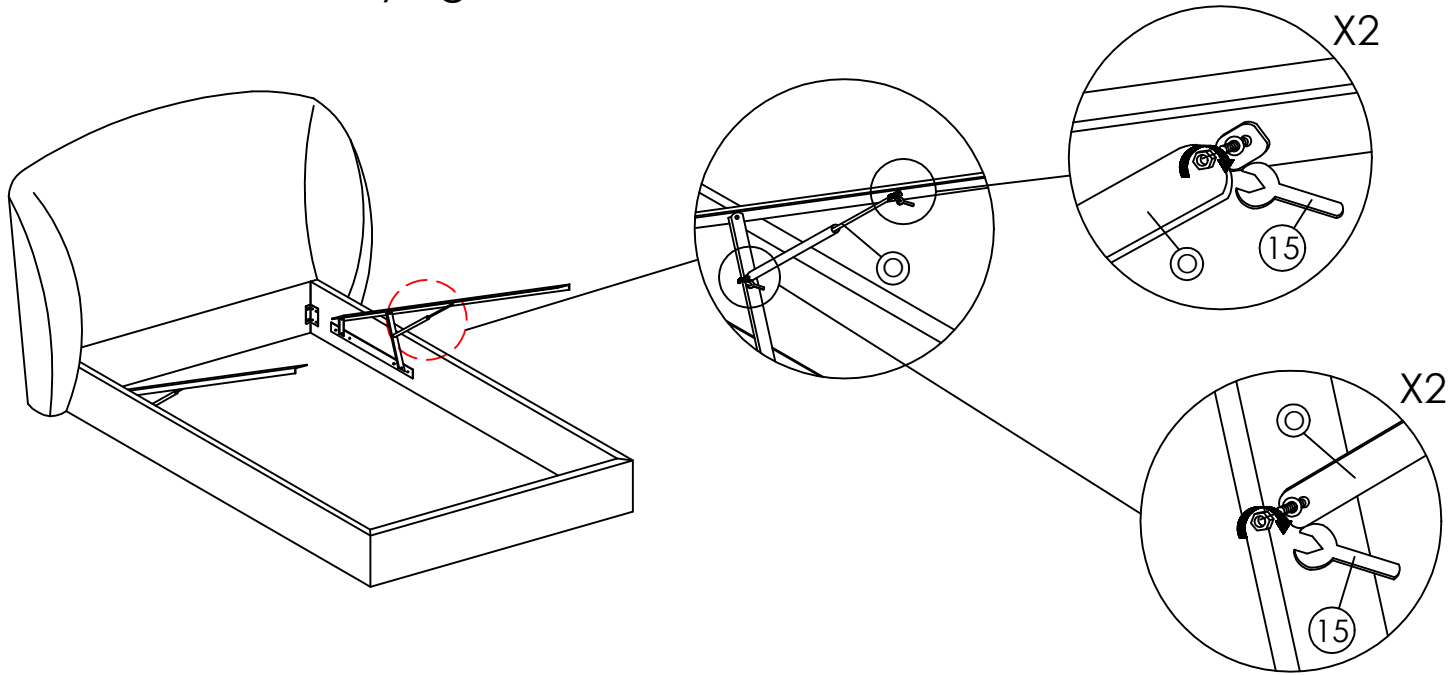


12 Attach the Frame Lifter (16) to the Center Rail (K) foot by crossing over and looping it through it self.

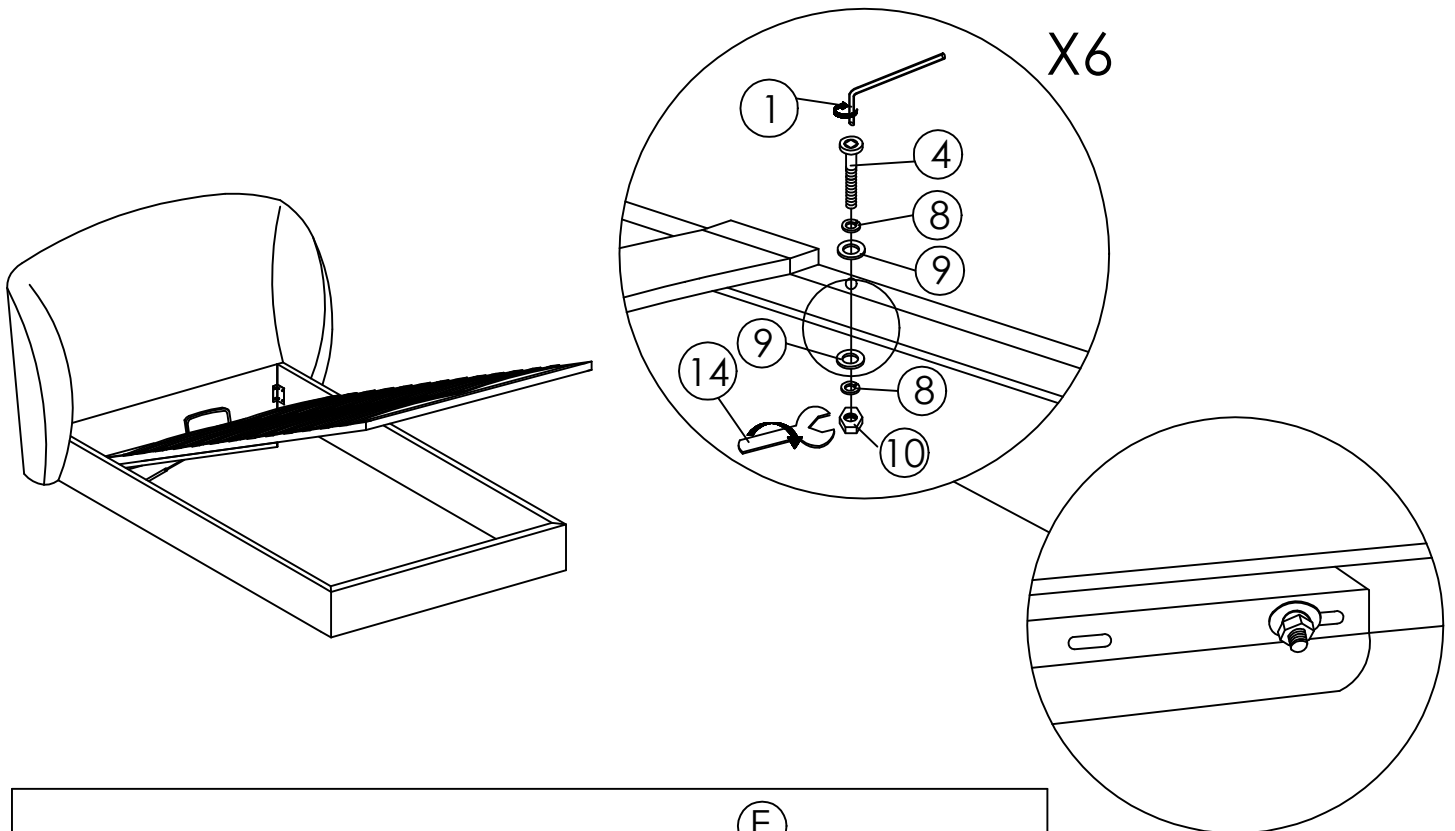


16		2 Pcs
----	---	-------

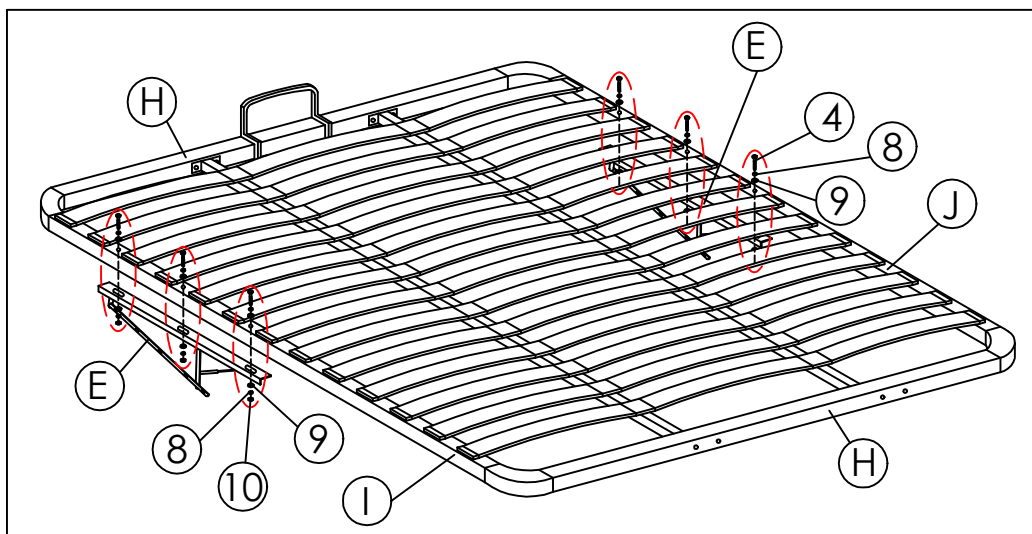
13 Unscrew the Pre-attached hex-nut of Gas Spring (O) and attach it back again using M6 Spanner (15) as shown. Please fully tighten the nut.



- 14** Assembly the main frame to the bracket and tighten all the fitting accordingly using JCBB M8 x 50 (4), M8 Spring Washer (8), M8 Flat Washer (9), M8 Hex Nut (10), M5 Allen Key (1), and M8 Spanner (14).

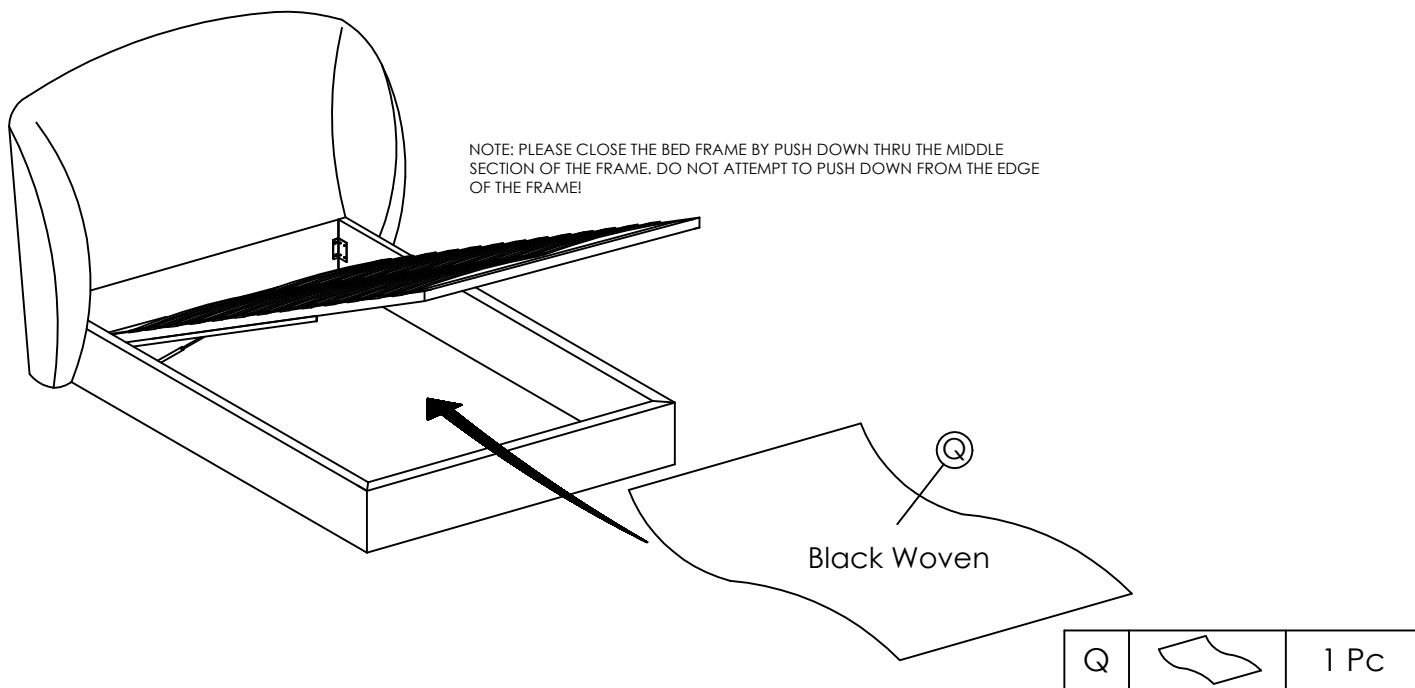


Caution: Tighten the screw at the position of the long hole as shown!

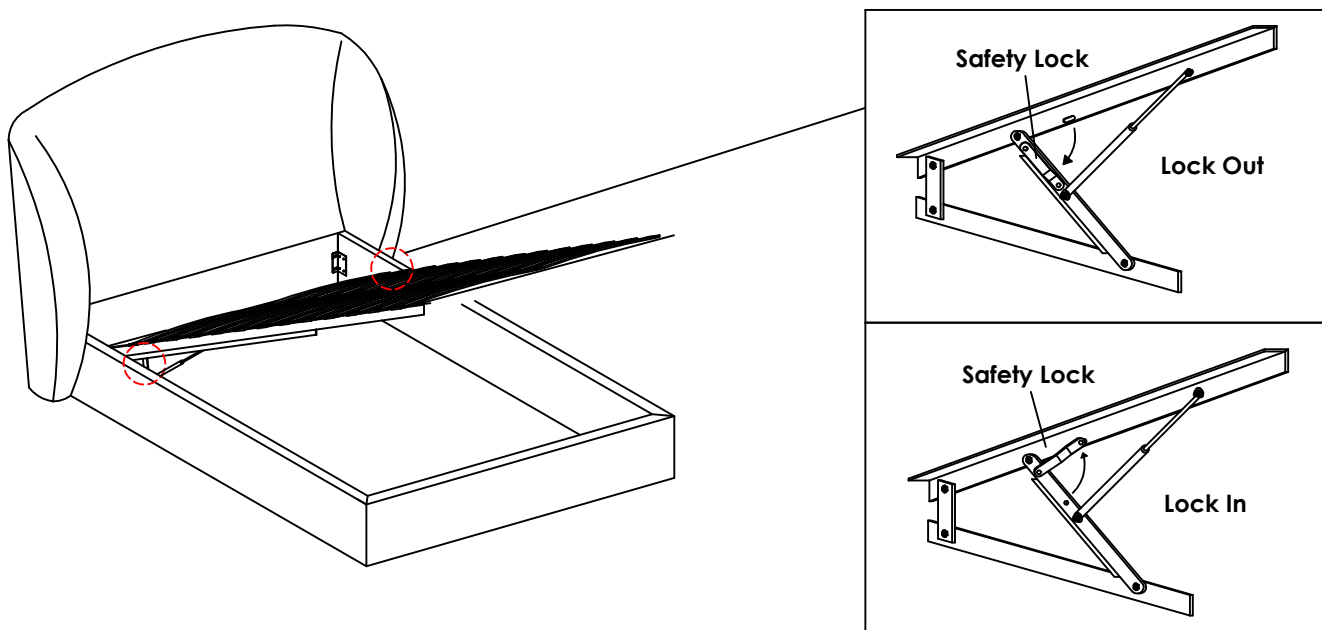


4		6 Pcs
8		12 Pcs
9		12 Pcs
10		6 Pcs

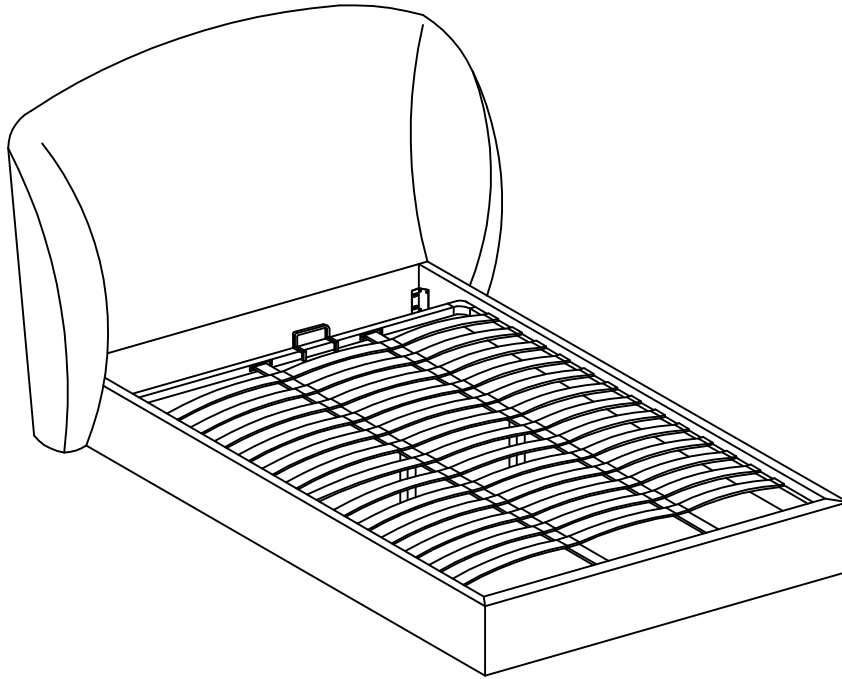
15 Placed the Black Woven (Q) to the inner of the bed.



16 Attention! Make sure the safety lock on the right place to prevent cause any damage to the bed.



17 Assembly is complete.



PRODUCT WARRANTY

- 1-year limited on cover against splitting, peeling, and/or tearing.
- 1-year limited on internal and external frame structure.

Follow Us:



If at any step you need a helping hand, we're always here for you. You can email us, or hop into a live chat on our website - whatever method is convenient for you.

