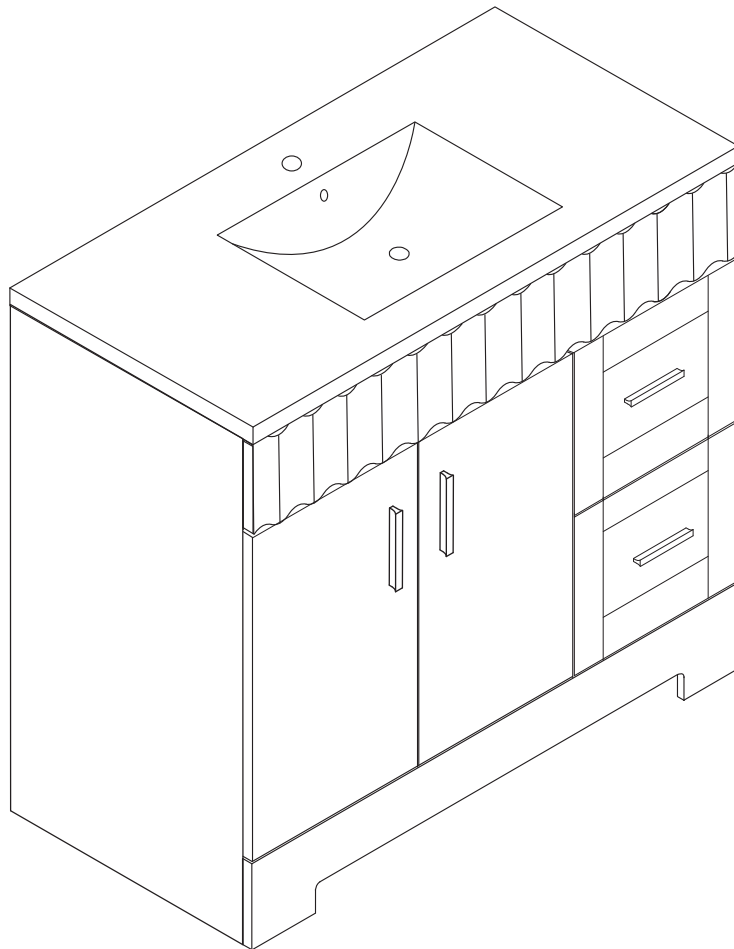




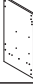
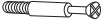
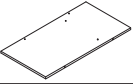

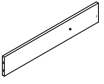

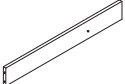

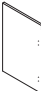



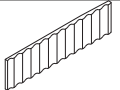

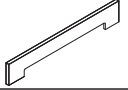
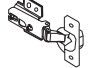
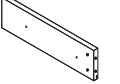

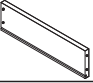
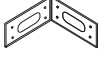
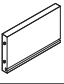

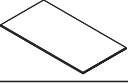
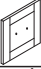


# SKU : PXYFHM041HT-A

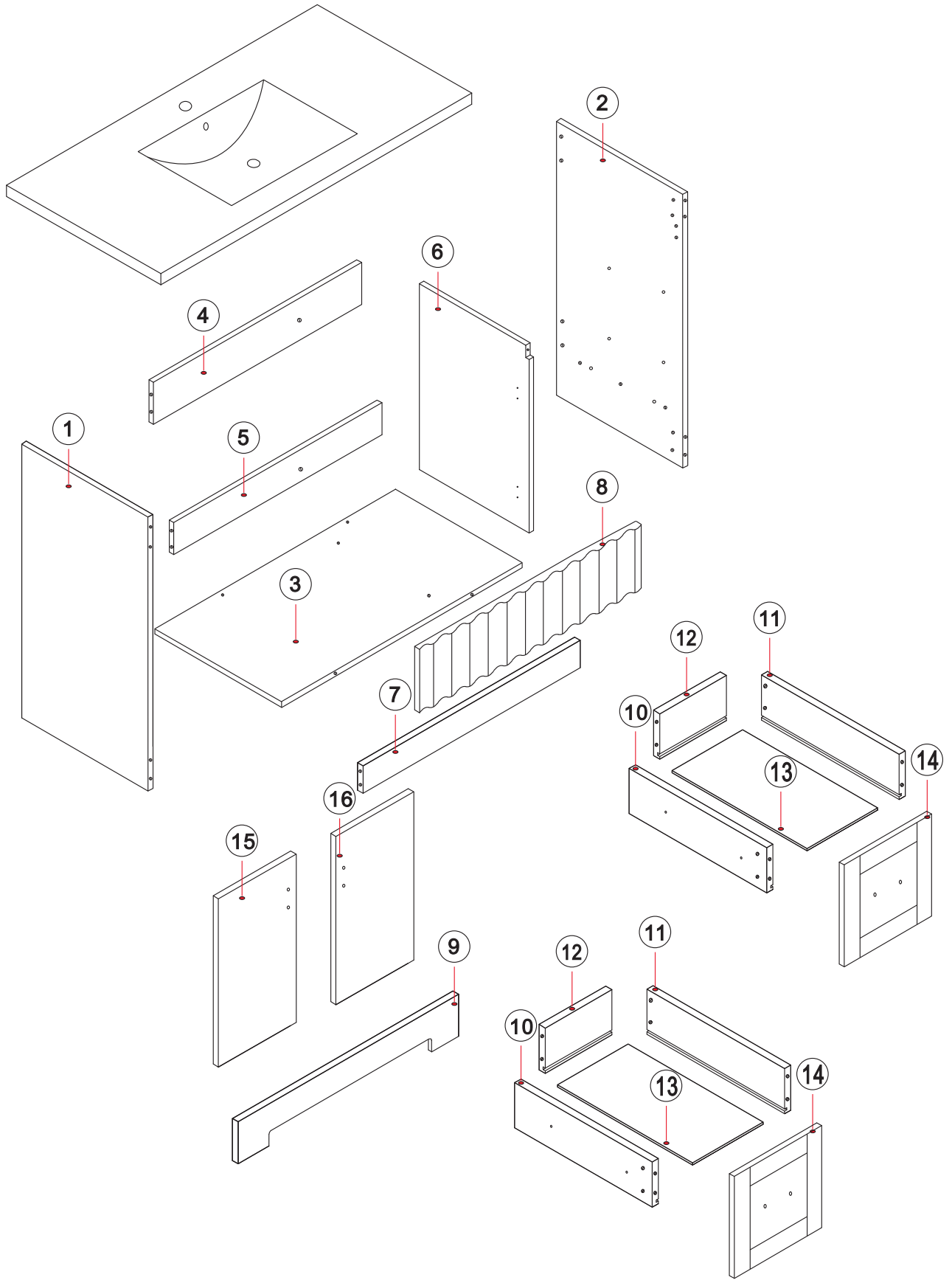


**ATTENTION:**

1. Please check the manual carefully and make sure you have received all the parts.
2. If there is any missing, please let us know the letter of the parts you need.
3. If there is any damage, please send clear photos to us, we will check and offer you best solution soon.

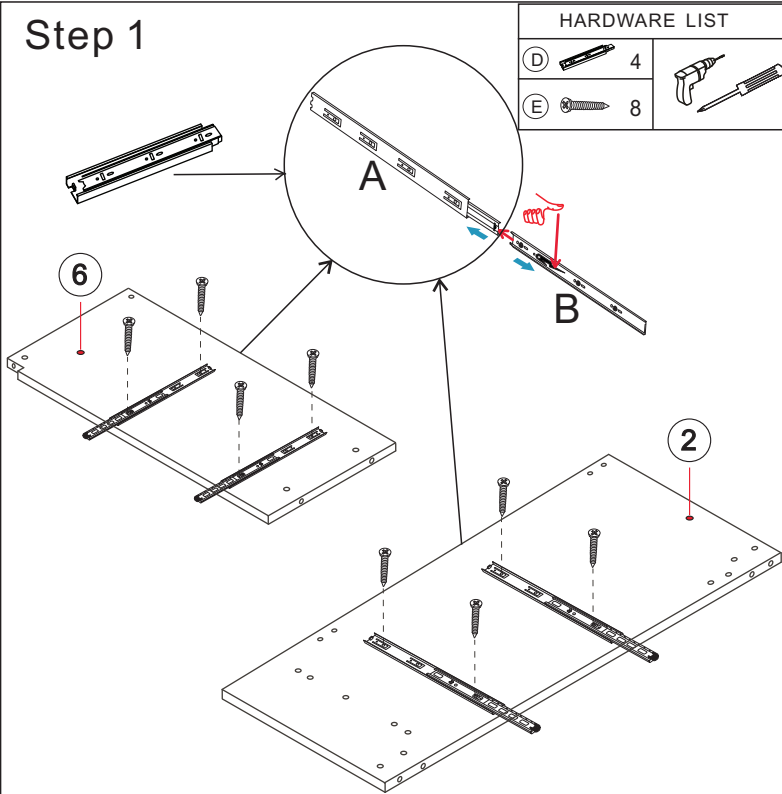
# Package List

Parts list			Parts list		
NO.	Description	QTY	NO.	Hardware list	QTY
1		1	A	 CAM LOCK	51
2		1	B	 CAM SCREW	51
3		1	C	 WOODEN DOWEL	4
4		1	D		4
5		1	E	 14mm	72
6		1	F		4
7		1	G	 16mm	4
8		1	H	 18mm	4
9		1	I	 medium hinge	2
10		2	J	 straight hinge	2
11		2	K		4
12		2	L	 25mm	2
13		2			
14		2			
15		1			
16		1			



# Installation Manual

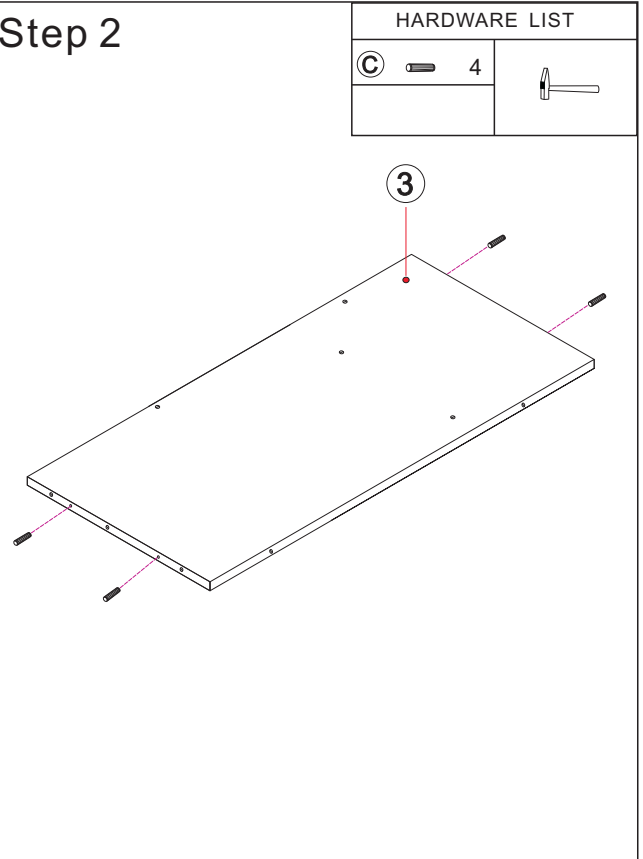
## Step 1



### HARDWARE LIST

(D)		4	
(E)		8	

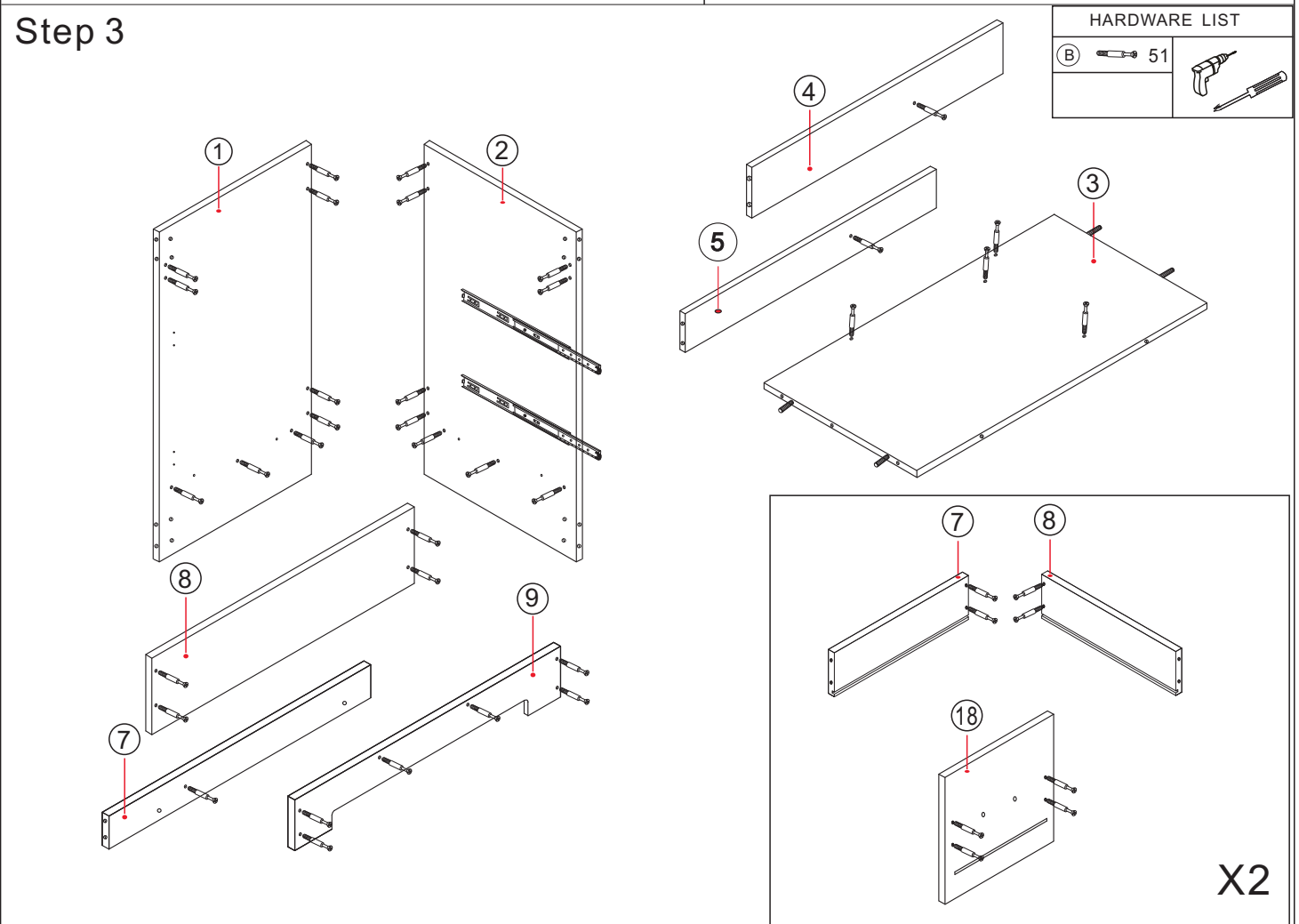
## Step 2



### HARDWARE LIST

(C)		4	

## Step 3



### HARDWARE LIST

(B)		51	

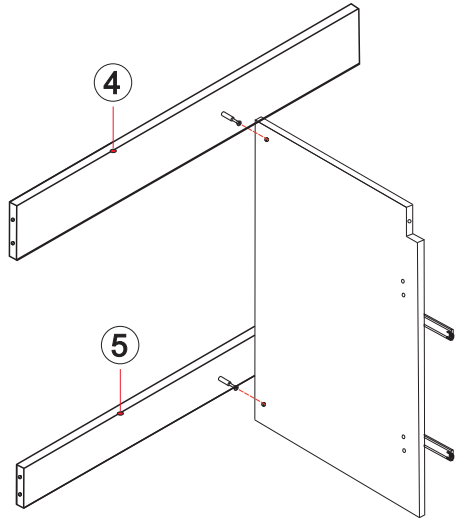
X2

# Installation Manual

## Step 4



### HARDWARE LIST

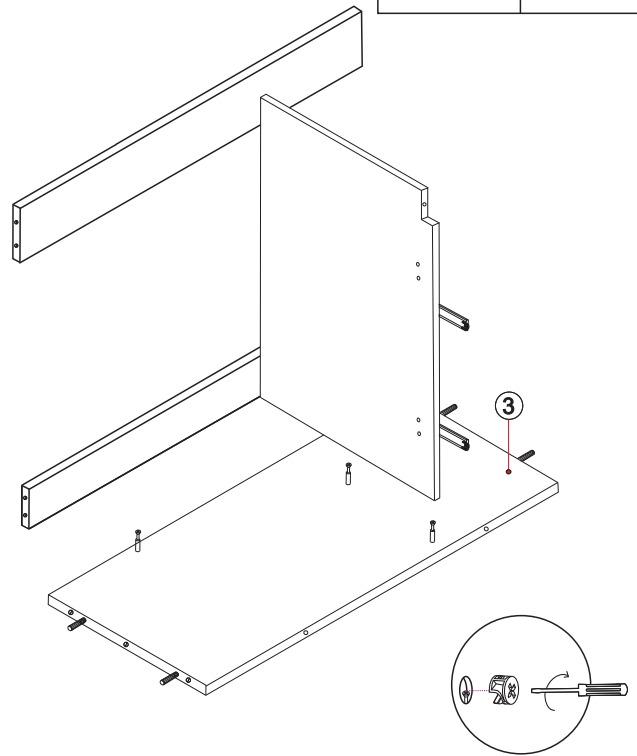
(A)		2	
-----	---	---	---



## Step 5


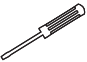
### HARDWARE LIST

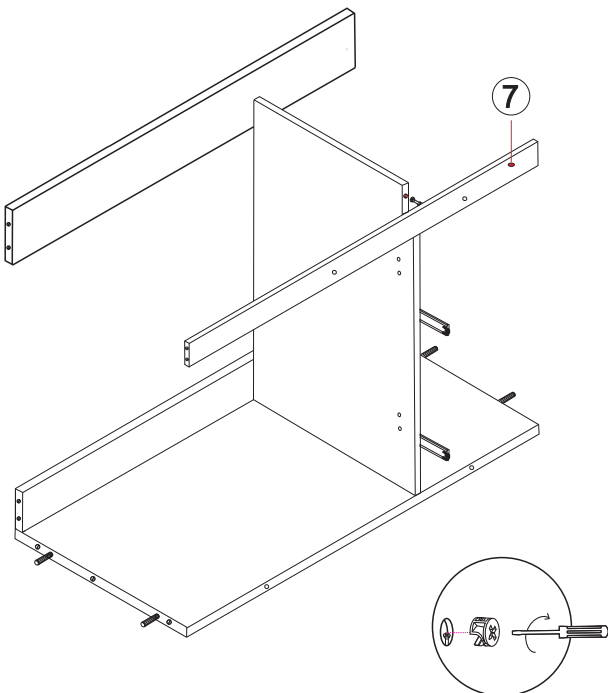
(A)		4	
-----	---	---	---



## Step 6



### HARDWARE LIST

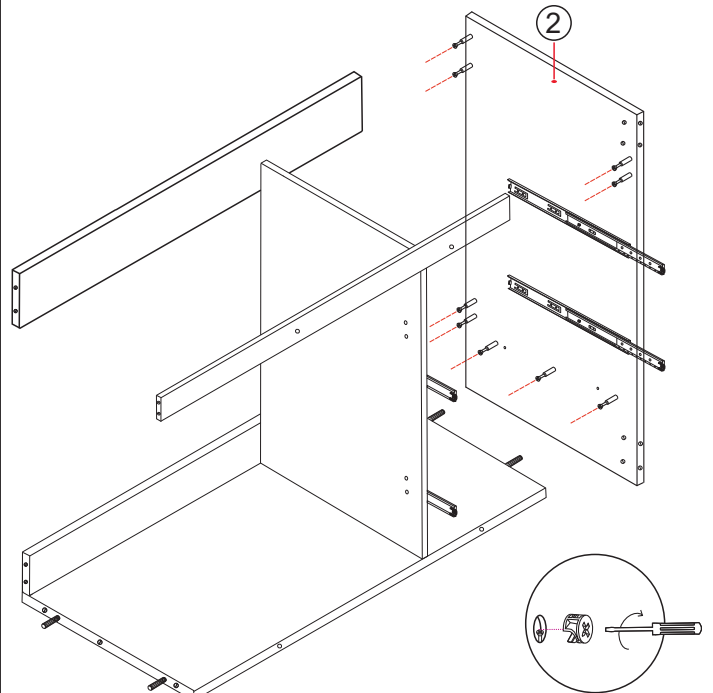
(A)		1	
-----	---	---	---



## Step 7



### HARDWARE LIST

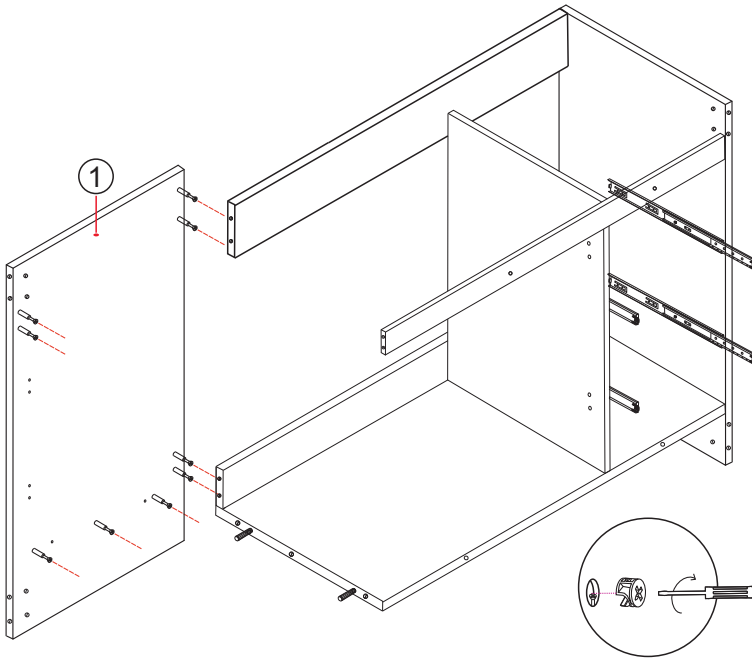
(A)		9	
-----	---	---	---





# Installation Manual

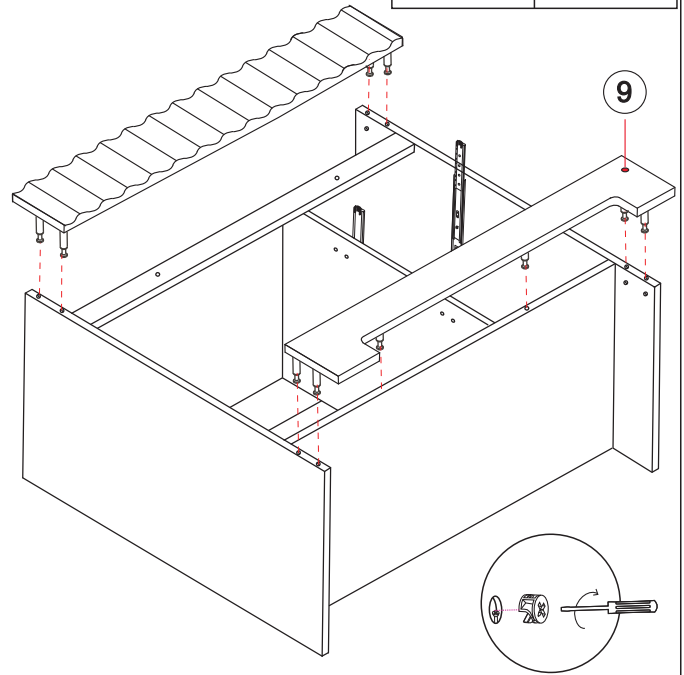
## Step 8

HARDWARE LIST	
(A)  9	





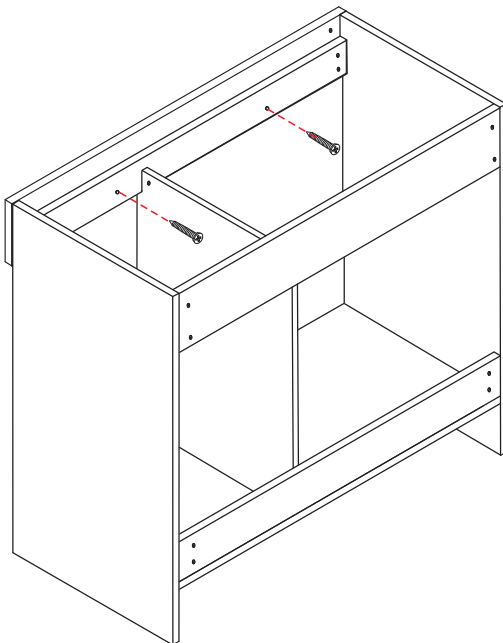
## Step 9

HARDWARE LIST	
(A)  10	





## Step 10

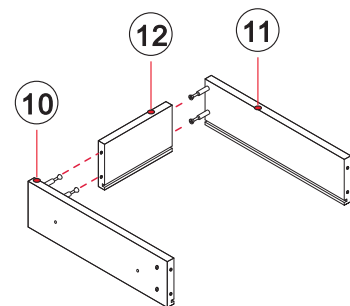
HARDWARE LIST	
(L)  2 25mm	



## Step 11

HARDWARE LIST	
(A)  8	

X2

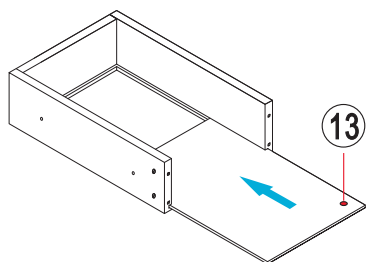


# Installation Manual

Step 12

HARDWARE LIST	

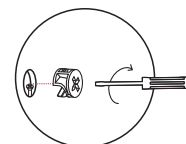
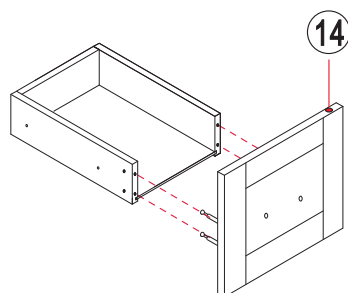
X2



Step 13

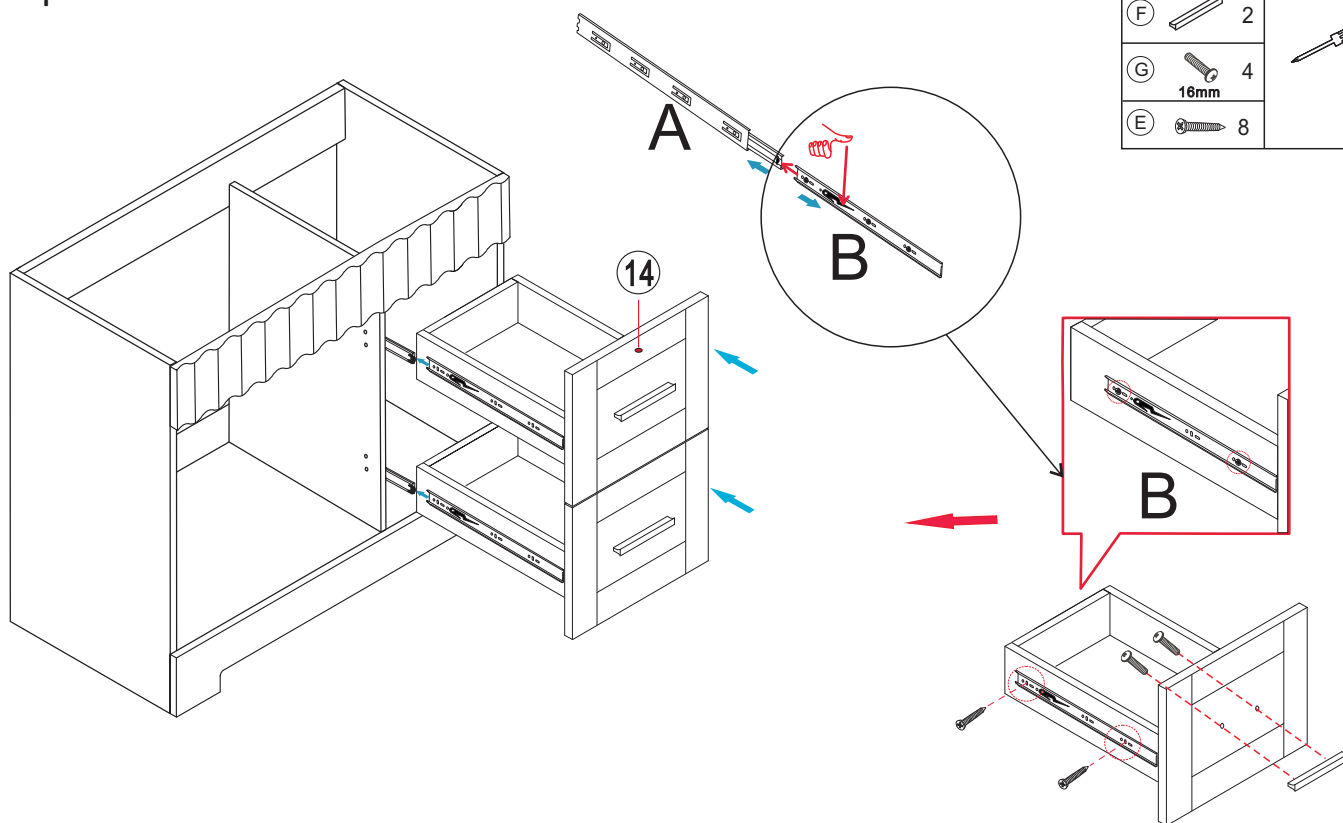
HARDWARE LIST	
(A)	8

X2



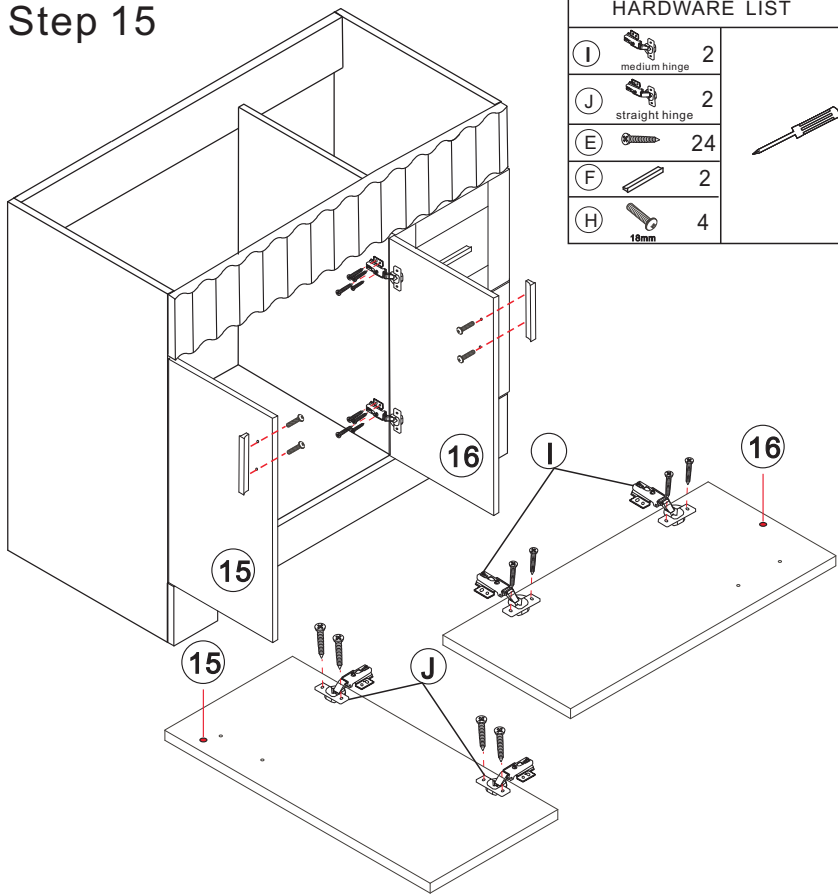
Step 14

HARDWARE LIST	
(F)	2
(G)	4 16mm
(E)	8

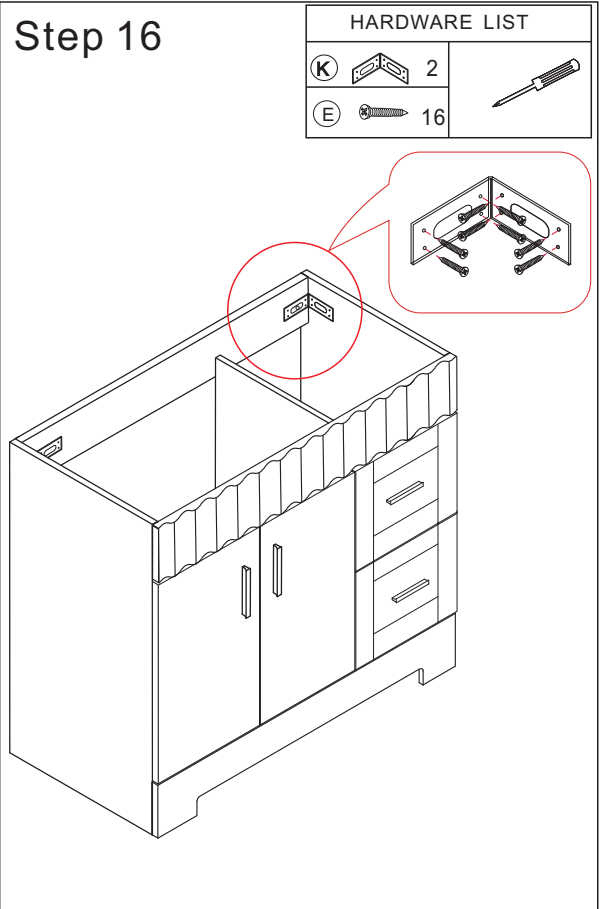


# Installation Manual

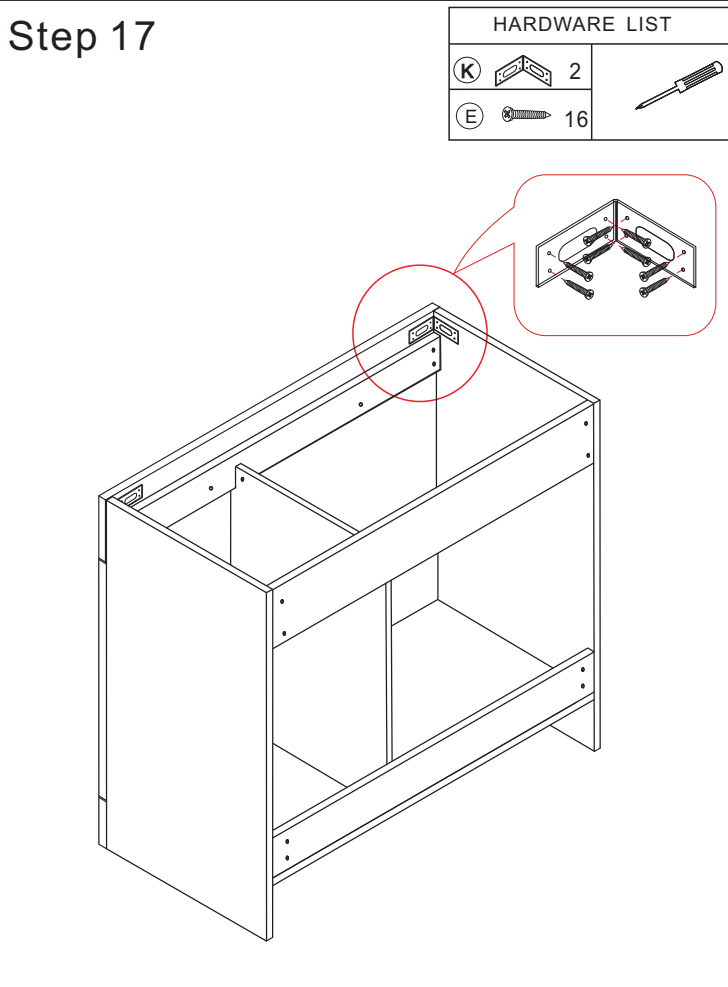
## Step 15



## Step 16



## Step 17



## Step 18

