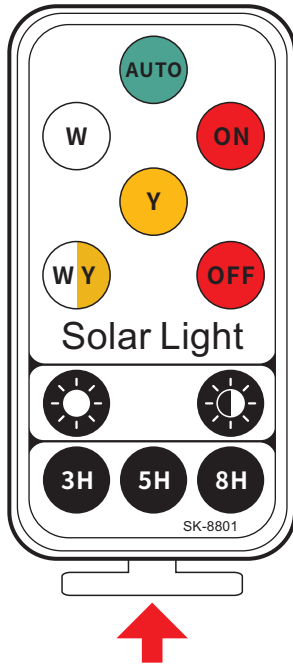


INSTRUCTION MANUAL OUTDOORS COURTYARD LAMP



Instruction Manual For The Remote Control (It Is Required To Aim At The Lamp Body At A Distance Of 2~3m)

AUTO:Automatic key

ON:Turn On The Light

OFF:Turn Off The Light

Y Warm Light:Warm Color Light 3000K

W White Light:White Light 6000K

WY Natural Light:Neutral light 4000K

Timing 3H:The lights are on and off for 3 hours

Timing 5H:The lights are on and off for 5 hours

Timing 8H:The lights are on and off for 8 hours



50% brightness



100% brightness

BEFORE USE PLEASE REMOVE THE TRANSPARENT SHEET

Installation Test/failure Cause Analysis

1 Installation Environment

- The Sun Is Sufficient To Directly Shine On The Solar Panel, A Place Without Shelter.
- No Other Light/Light Can Shine On The Solar Panel.

3 Use At Night

- Use The Remote Control To Open The Lamp For The First Time.
- Open After Dark Automatic Light, Automatic During The Day
- Turn Off The Light To Charge (light Control)

2 During The Day Test

- Solar Lamps Don't Light Up During The Day
- please Cover The 4-block Solar Panel With Black Cloth Or Other Black Objects. Use The Remote Control To Turn On The Light, And It Is Normal When The Light Is On.
- If It Only Flashes Once, It Will Not Stay Bright (the Solar Panel Is Not Completely Covered)

4 Solar Energy/mains Power

- Solar Energy Requires No Wiring, Use Screws/glass Glue
- Fix The Base And Press The Remote Control Light On Button.
- If You Need To Connect The Power, Connect The Wiring At The Bottom Of The Lamp, And Then Install A Bulb To Connect The Switch Control At Home (no Free Bulbs Need To Be Purchased Separately)

The Lamp Does Not Turn On At Night During The First Installation

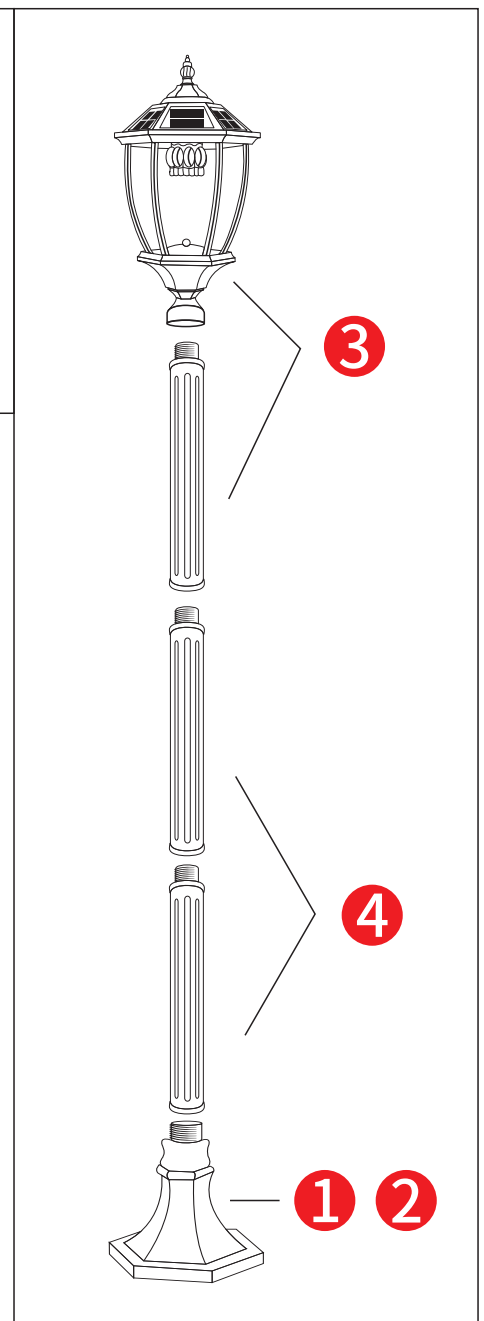
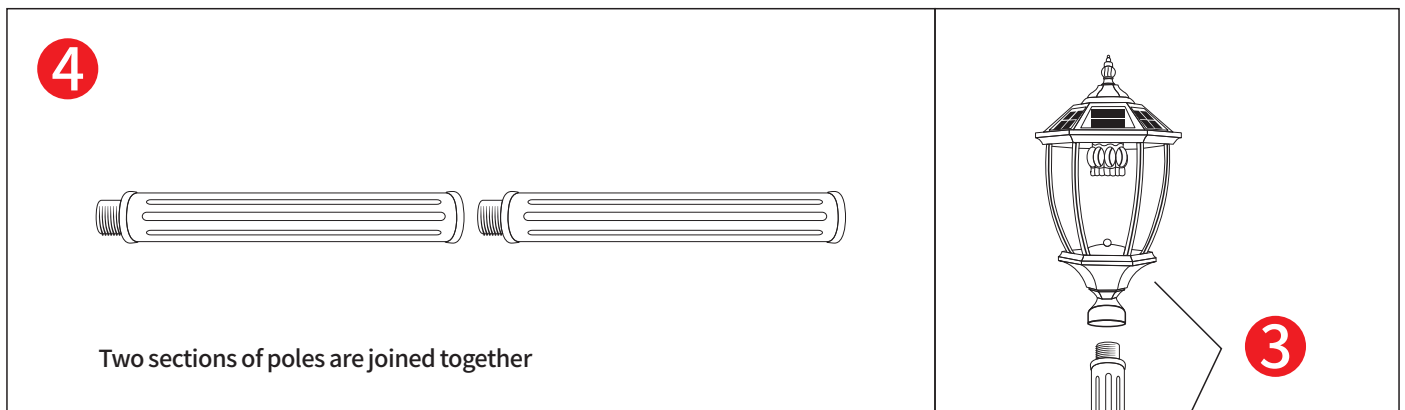
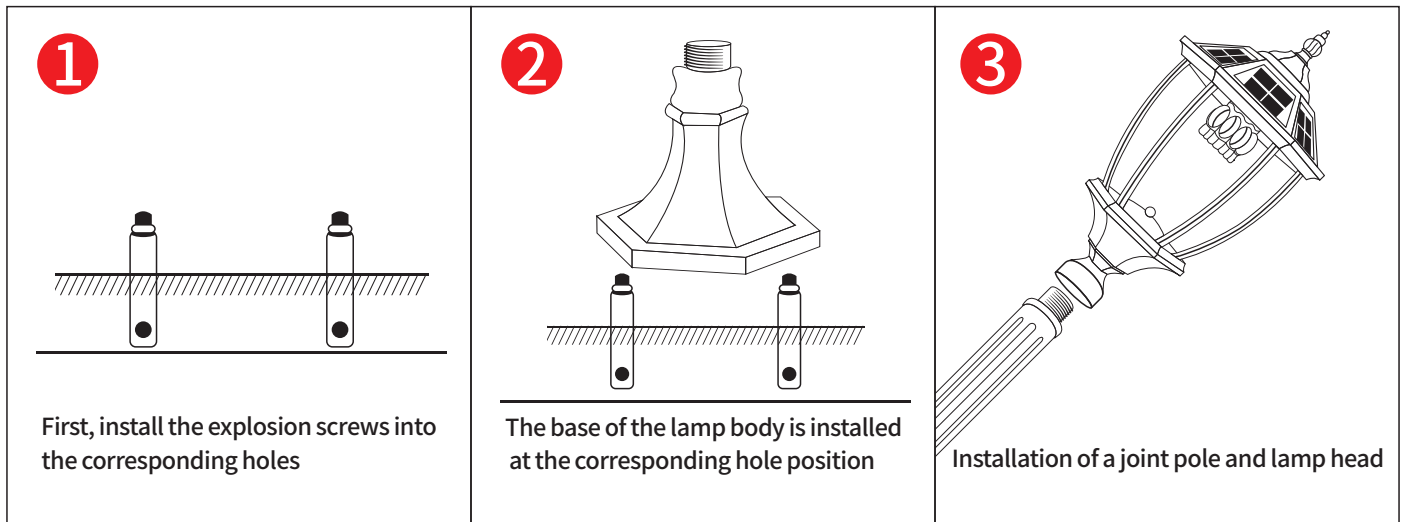
- Please Start With The Remote Control (within 5m)
- Please Check If There Is Any Other Light Shining On The Solar Energy Of The Cover
- Completely Cover All Solar Panels With Black Cloth, If The Light Can Be On For Normal, Please Check The Environment.

It Doesn't Light Up Suddenly After A Few Days Of Installation

- Please Check Whether The Installation Environment Is Sunny And Direct To The Solar Panel, There Is No Barrier To Ensure 6 Hours A Day The Sun Shines Directly Above The Hour.
- Please Take It To Other Places With Direct Sunlight For 1-2 Days If The Lamp Can Be Turned On, It Means The Lamp Is Normal

Schematic diagram of garden lamp installation

For your safety during use, professional electricians are required to install it to prevent the risk of electric shock.



The Following Environments Are Not Suitable For Installation

1. A Glass Room (although It Has Sunlight, It Is Shielded By Glass, Affects The Intensity Of Light And Thus The Battery Charge)

2 Monitor (it Should Not Be Installed Where The Radiation Is Monitored.

The Monitor Has Infrared Ray, Which Will Affect The Brightness Of The Lamp)

3. Under Tile Eaves (above The Area Where The Lamps Are Installed

No Cover Such As Roof Tiles/trees/wires)

4. Areas With Short Periods Of Light (solar Lamps

The Installation Area Should Be Exposed To Sunlight For At Least 6 Hours)