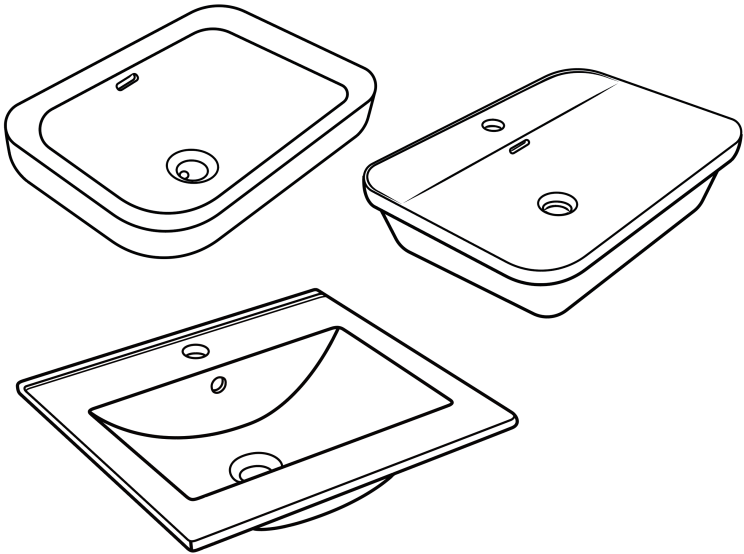




LOS FLEXI
CRAFTING YOUR HOME STORY



Drop-In Bathroom Sink

INSTALLATION & CARE GUIDE

cs@losflexi.com

www.losflexi.com

(+1) 662-502-5099

PRIOR TO INSTALLATION

Hello, Sink Enthusiast!

TRANSFORM YOUR BATHROOM! SETTING UP YOUR DROP-IN SINK

You've chosen one of our beautiful drop-in sinks, an elegant addition that will enhance your bathroom's style. Before you start the installation, let's go over some important tips to ensure everything goes smoothly!

Before You Dive In:

- First, unwrap your sink carefully and inspect it for any signs of damage, like scratches or dents. If everything looks perfect, safely return it to its packaging until you're ready to begin installation.
- And remember, while being spontaneous can be fun, it's not the best approach for plumbing. Be sure to follow local building codes to keep your setup compliant and secure!

Preparation and Safety Steps:

- Quick Tip: Before you get started, turn off both hot and cold water supplies to avoid any surprise splashes during your project.
- Check the condition of your pipes—if they appear worn or damaged, consider replacing them. We want everything in top shape for this stunning sink!
- Keep in mind that while your sink is robust, it's still delicate. Handle it with care and place protective material underneath to keep it safe. A little extra support is always a good idea!
- And safety first! Equip yourself with a tool belt and safety glasses as you embark on this DIY adventure!

Space and Sealing Guidelines:

- Make sure your drop-in sink has enough space to showcase its design, especially around the faucet and backsplash. To ensure a leak-proof installation, use non-water-based silicone for sealing.

Additional Success Tips:

- When it's time for cleaning, avoid harsh chemicals and opt for something gentler. Our sinks are durable but still deserve a bit of care!
- If you're coordinating with contractors, hand over samples of your chosen materials. Ensure everyone involved is informed about the project specifics.
- If you're feeling lost in the plumbing maze, don't hesitate to call in the professionals for assistance!
- Questions or concerns? Feel free to reach out! We're here to help at cs@losflexi.com for anything from shipping issues to installation queries.

With these handy tips, you're ready to tackle your drop-in sink installation with confidence. Go ahead and let your bathroom dreams take flight!

Bathroom Sink Regards,
The Los Flexi Team

TOOLS AND MATERIALS REQUIRED (not supplied)



Pencil



Tape Measure



Hole Saw



Jig Saw



Damp Cloth



Silicone
Sealant



Faucet

PROTECTIVE EQUIPMENT



Cut Resistant Gloves



Safety Glasses

PACKAGE INCLUDED

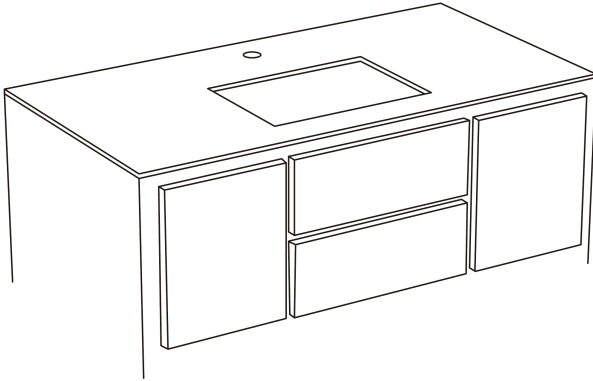
- Bathroom Sink
- Cut-out Template

For detailed specifications,
please check our website: losflexi.com.

SINK INSTALLATION

Step 1: Prepare the Countertop for Installation

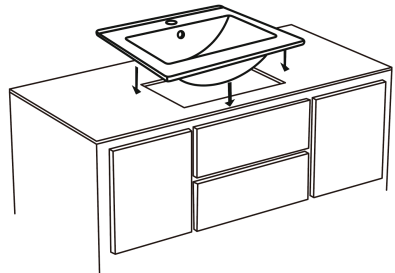
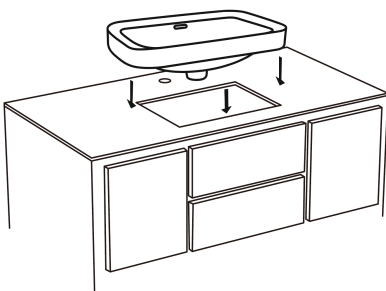
- Prepare the countertop with the necessary openings for the sink and faucet.



Step 2: Position the Sink

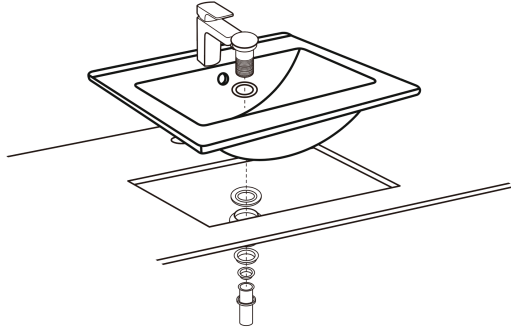
- Temporarily place the sink in the desired mounting position to check for cutout alignment.

NOTE: Both sinks below are for display only. The actual model depends on your purchase.



Step 3: Install the Faucet and Drain

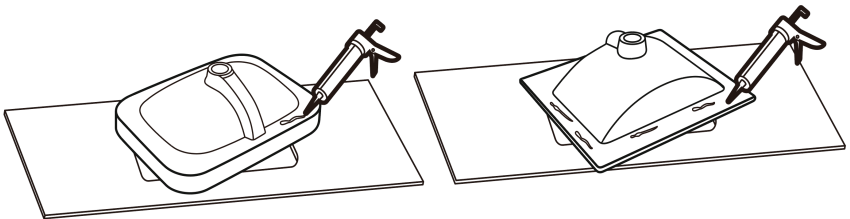
- Before mounting the sink, install the faucet and drain (both not included).



Step 4: Apply Sealant

- Apply a suitable amount of plumber's putty or silicone sealant around the underside rim of the sink.

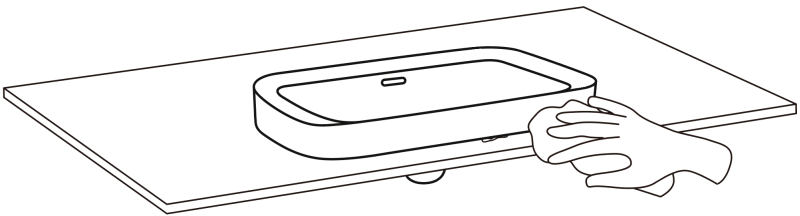
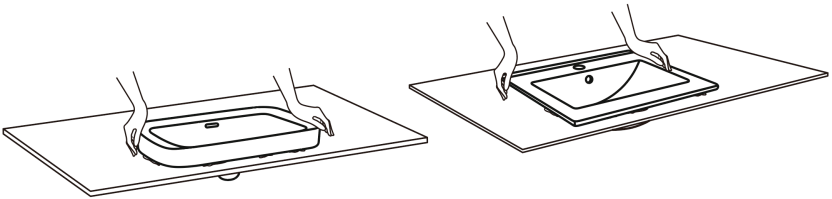
NOTE: Due to the exposed edges, using sealant is crucial to prevent moisture from penetrating underneath and causing damage or mold.



Step 5: Install the Sink

- Carefully lower the sink into the cutout, ensuring proper alignment, and press down firmly to secure it to the countertop.
- Confirm that the sink is flush with the countertop to prevent any rocking or tilting.
- Allow the sealant to set for 30 to 60 minutes.

NOTE: Immediately wipe away any excess sealant with a cloth dampened with water or mineral spirits.



CARE AND MAINTENANCE

- **Restoring Shine:** Restore the luster of your ceramic sink by pouring vinegar directly into the bowl. Scrub gently with a nylon brush, rinse thoroughly, and enjoy the renewed finish.
- **Deep Cleaning:** For thorough sanitization, use a gentle chlorine bleach cleaner. Alternatively, soak the sink in a bleach solution (1 part bleach to 3 parts water) for 30 to 60 minutes. Rinse well and dry afterward. When using bleach, be sure to follow the manufacturer's instructions and take appropriate safety precautions.
- **Addressing Scuff Marks:** To remove light scuff marks, which may appear as gray lines, apply a mixture of baking soda and water with a sponge or soft cloth. Rinse and dry the area thoroughly. For tougher stains, consider a non-abrasive polishing cleanser.
- **Managing Damage:** Although ceramic is durable, it can chip from heavy impacts, leading to increased staining and bacterial growth. Keep any damaged areas clean and dry, and consult a professional for repair options.
- **Overflow Hole Maintenance (if applicable):** Regularly clean the overflow hole to prevent clogs and bacterial growth, especially in drop-in designs where water flow may be more concentrated. Use a brush to clean the overflow hole, rinsing with boiling water. For odors, a mixture of baking soda and vinegar can help, followed by rinsing to keep the sink smelling fresh.
- **General Maintenance Tips:** For routine care, wash the sink with soap and water after each use, then dry with a soft cloth. While ceramic resists moisture, keeping it dry is beneficial. Pay special attention to cleaning the junction between the sink edge and the countertop to avoid buildup of mineral deposits and grime. Avoid abrasive cleaners and sponges, as these can scratch the surface and diminish its beauty and longevity.

TROUBLESHOOTING GUIDE

Clogged Drain:

- Start by using hot or boiling water, or a mixture of vinegar and baking soda, to break up minor blockages. If these methods fail, a commercial drain cleaner may be necessary for stronger cleaning.
- If the clog persists, use tools like a plunger, drain auger (snake), Zip-It tool, or wet-dry vacuum.
- Hair often causes clogs; remove the drain cover, clean out any hair, rinse it, and replace the cover.
- As a last resort, clean the P-trap. Place towels and a bucket under the sink, locate and unscrew the P-trap, clean it with water, dish soap, or vinegar, then reassemble and test for proper drainage.

Sink Leakage:

- Inspect the seal between the sink and countertop for gaps or wear. A damaged seal can lead to leaks.
- Remove old caulk and apply a new layer of waterproof bathroom caulk or silicone sealant around the base of the sink where it meets the countertop.
- Check that the drain assembly is tightened properly; a loose drain can allow water to seep onto the countertop.
- Examine the faucet and its connections for leaks. Ensure the faucet is securely attached and that all connections are tight.
- After making adjustments, dry the area thoroughly and monitor it while using the sink to see if the issue persists.

Wobbling or Loose Sink:

- If the seal is old and damaged, it can cause the sink to wobble. Remove the old seal with a putty knife, disconnect the drain, and lift out the sink. Clean the countertop of any remaining seal and apply a fresh layer of silicone sealant between the sink and countertop for improved stability.
- Check the drain assembly for looseness. Tighten the drain nut under the sink to secure it firmly.
- Ensure the countertop surface is flat and even. Uneven surfaces can cause the sink to wobble. If needed, add shims between the sink and countertop to level it.

IMPORTANT CONSUMER INFORMATION

Consumer Responsibilities For Bathroom Sink Maintenance

- Prevent damage by not placing excessively heavy objects in or on your bathroom sink. This avoids any potential for harm or instability.
- Regular maintenance is key. Use gentle and non-abrasive cleaning solutions on your bathroom sink. Follow the manufacturer's cleaning instructions carefully to preserve the surface.
- Promptly address any drips or leaks from your faucet or pipes to avoid the nuisance of water leaks.
- Keep the drain clear of obstructions. Utilize a strainer to catch debris and clean the P-trap periodically. A plunger or drain snake can be invaluable tools for maintaining clear pipes.
- Professional assistance is recommended to ensure optimal performance and safety for installation, significant repairs, or complex plumbing issues.
- Ensure your sink and its surroundings are well-sealed with caulk to protect against water intrusion.

WARNING

- **AVOID** using abrasive cleaners, scouring pads, or steel wool on the sink. These materials can scratch and damage the finish.
- Handle your sink with care, particularly during installation. Bathroom sinks can suffer chips or cracks from rough handling. Ensure it is properly and securely installed to avoid any risks.
- **DO NOT** overload the sink with heavy items. Bathroom sinks are not designed to bear excessive weight, and overloading them could result in damage or a safety hazard.
- **DO NOT** place hot items directly on the surface of the sink to avoid the risk of cracking or discoloration.
- **DO NOT** alter the structure of the sink. Any modifications can compromise its integrity and safety.
- Prevent clogs by ensuring the drain remains free of debris. Blocked drains can cause water backup and potential damage.

LIMITED WARRANTY COVERAGE

TWO YEAR LIMITED WARRANTY

Los Flexi products are crafted with superior materials and impeccable workmanship, offering our customers reliable and long-lasting products. If defects in materials or craftsmanship are detected under standard use within the first two years of installation, Los Flexi will either supply replacement parts at no charge or, if deemed necessary, replace the product or its parts.

This warranty is exclusive to the original purchaser, and proof of purchase is mandatory for any claim.

This Warranty Will Be Voided If:

- The product's installation did not follow our recommendations.
- The product was relocated from its initial installation site.
- The product underwent any modifications from its original condition.
- The product suffered from neglect, misuse, chemical overuse, accidents, or any other damages.

Los Flexi does not imply that our products adhere to local building or plumbing codes. Consumers must ascertain local code compliance before and during installation. This warranty is strictly for the original purchaser and first consumer. Los Flexi won't be held responsible for any consequential damages linked to the product's installation, replacement, return, or usage. This includes, but is not limited to, freight charges, labor, downtime, home damages, and other associated costs (e.g., professional services, investigations, audits, legal fees). This Los Flexi warranty clearly delineates our liability. Items not specified in this warranty fall outside Los Flexi's responsibility. In states with variations concerning implied warranties, our compliance is ensured.

For any queries or concerns, feel free to reach out to us at

Email: cs@losflexi.com

Phone: (+1) 662-502-5099

Site: www.losflexi.com