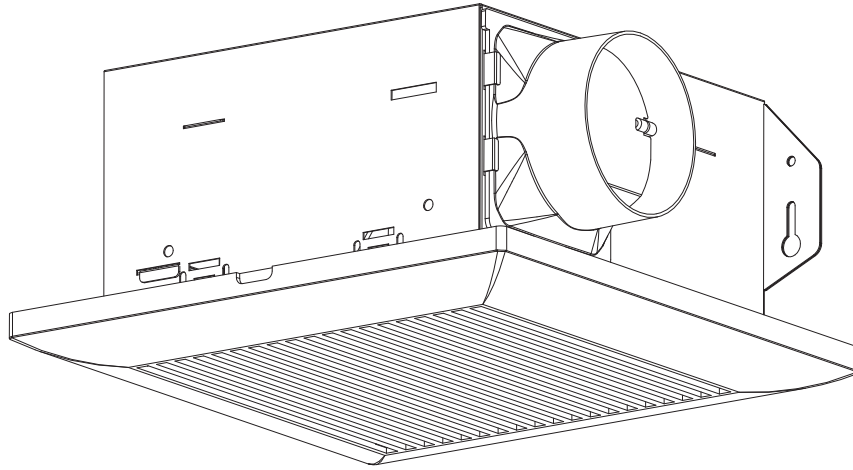


East Grove

• H O M E •



EXHAUST FAN

E-EF-012511

Installation Manual

INSTALLATION INSTRUCTION

Bathroom Exhaust Fan

E-EF-012511

East Grove
• HOME •

CAUTION: To prevent electrical shock, ensure electricity has been turned off at the circuit breaker before beginning.

- Read all instructions before installing.
- System is intended for installation by a licensed electrician in accordance with the National Electrical Code (NEC) and local regulations.
- Retain installation instructions for future maintenance reference.

WARNING: All parts must be used as indicated in these instructions. This product is designed for use only with the supplied parts and/or accessories designated for use by EastGroveHome. Substitution of parts or accessories not designated for use with this product by EastGroveHome could result in personal injury or property damage, and will void the warranty. Contact an authorized dealer or the manufacturer if any parts are damaged or missing.

MISE EN GARDE: Pour éviter tout choc électrique, assurez-vous que le disjoncteur soit mis hors tension avant de commencer.

- Lisez toutes les instructions avant l'installation.
- Le système doit être installé par un électricien licencié conformément au code national de l'électricité (NEC), et également aux règlements locaux.

ATTENTION: Toutes les pièces doivent être utilisées comme indiqué dans ces instructions. Ce produit est conçu pour être utilisé seulement avec les pièces et/ou accessoires fournis pour être utilisés avec les produits EastGroveHome. Remplacer des pièces ou accessoires non conçus pour ce produit EastGroveHome pourrait causer des dommages corporels ou matériels et pourrait également causer l'annulation de la garantie. Veuillez contacter un revendeur autorisé ou le fabricant si des pièces manquent ou sont endommagées.

SUITABLE FOR USE OVER TUB OR SHOWER ENCLOSURE WHEN INSTALLED IN A GFCI PROTECTED BRANCH CIRCUIT.
THIS PRODUCT MUST BE INSTALLED BY A QUALIFIED TECHNICIAN.

Do not mount in a ceiling thermally insulated to a value greater than R40.

Designed to be mounted in the ceiling.

WARNING: to reduce the risk of fire or electric shock, do not use this fan with any solid-state speed control device.

WARNING: to reduce the risk of electric shock, disconnect power before servicing.

NOTE: not for use in kitchens.

IMPORTANT SAFETY INSTRUCTIONS

WARNING: TO REDUCE THE RISK OF FIRE, ELECTRIC SHOCK, OR INJURY TO PERSONS, OBSERVE THE FOLLOWING:

1. Use this unit in the manner intended by the manufacturer. If you have questions, contact the manufacturer.
2. Before servicing or cleaning unit, switch power off at service panel and lock service panel to prevent power from being switched on accidentally. When the service disconnecting means cannot be locked, securely fasten a prominent warning device, such as a tag, to the service panel.

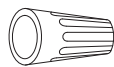
CAUTION: Fan is for general ventilating use only. Do not use to exhaust hazardous or explosive materials and vapors.

INSTALLATION INSTRUCTIONS

WARNING: TO REDUCE THE RISK OF FIRE, ELECTRIC SHOCK, OR INJURY TO PERSONS, OBSERVE THE FOLLOWING:

1. Installation work and electrical wiring must be done by qualified persons in accordance with all applicable codes and standard, including fire-rated construction.
2. Sufficient air is needed for proper combustion and exhausting of gases through the flue (chimney) of fuel burning-equipment to prevent back-drafting. Follow the heating equipment manufacturer's guideline and safety standards such as those published by the local code authorities.
3. When cutting or drilling into wall or ceiling, do not damage electrical wiring and other hidden utility.

HARDWARE



Wire Connector
Qty: 3 pcs



Wood Screws
Qty: 3 pcs

EastGroveHome.com
Phone: 888-602-0990

Corporate Headquarters
1000 N West Street, Suite 1200
Wilmington, DE 19801



*Corporate Address ONLY – Do not send returns here

INSTALLATION INSTRUCTION

Bathroom Exhaust Fan

E-EF-012511

East Grove

• HOME •

SPECIFICATIONS

Model No.	Air direction	V	Hz	Duct - Diameter (inch)	Noise (sones)	Power consumption (W)	Air deliver CFM
E-EF-012511	Exhaust	120	60	3"	1.0	17	50

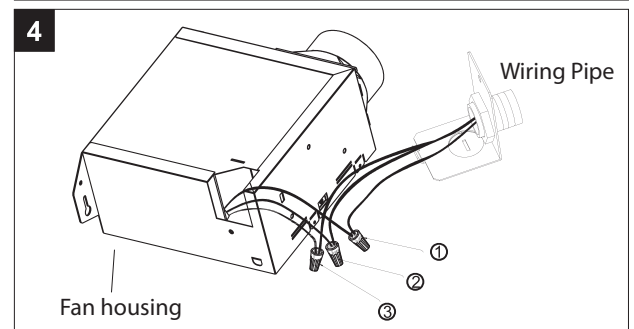
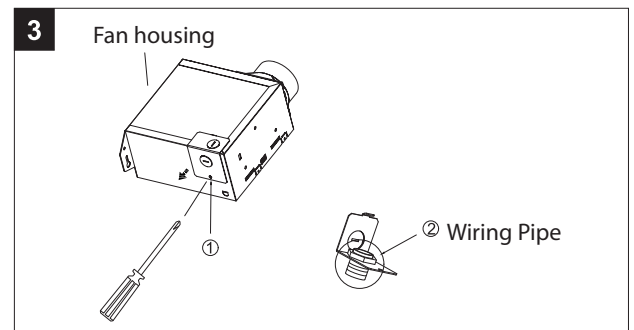
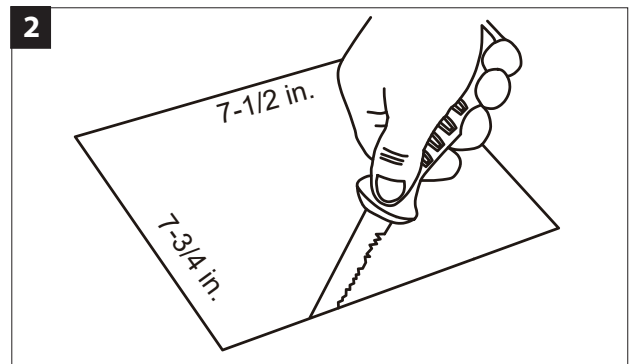
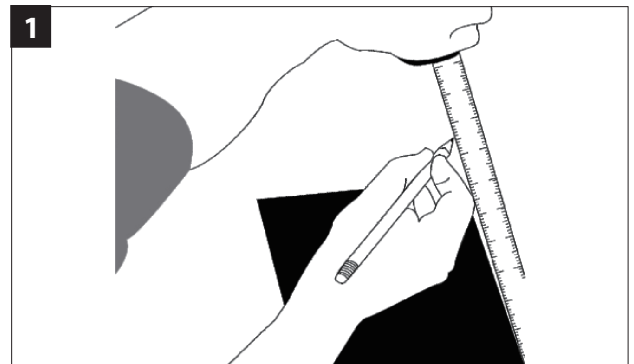
INSTALLATION

1. Remove existing fan.
Measure the opening to ensure it is large enough to accommodate the new fan housing. (Housing size :7-1/2" x 7-1/4")

2. Cut the ceiling opening
If this fan is not replacing an old fan, be sure to cut a 7-3/4" x 7-1/2".
opening for the fan housing.
Note: Ensure the 7-3/4" side of opening is flush with the joist for installation from below.

3. Loosen the screw to remove the wiring box cover.
Install the wiring pipe into the wiring hole.

4. Connect the white wire of the fan to the neutral wire.
Connect the green wire of the fan to the ground wire.
Connect the black wire of the fan to the hot wire.



INSTALLATION INSTRUCTION

Bathroom Exhaust Fan

E-EF-012511

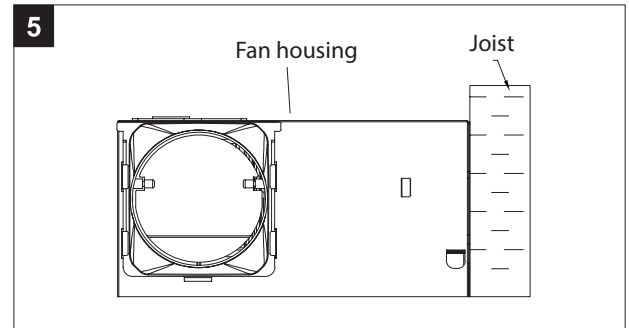
East Grove

• H O M E •

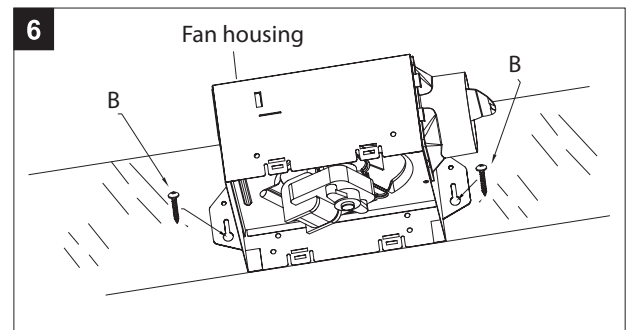
5. Place the fan housing next to a ceiling joist. The fan housing should be level and perpendicular to the joist. Allow for thickness of ceiling board used in your application.

Position the fan housing so the bottom edge of the fan housing is flush with the ceiling board.

Do not flush mount the fan housing to the bottom of the joist.

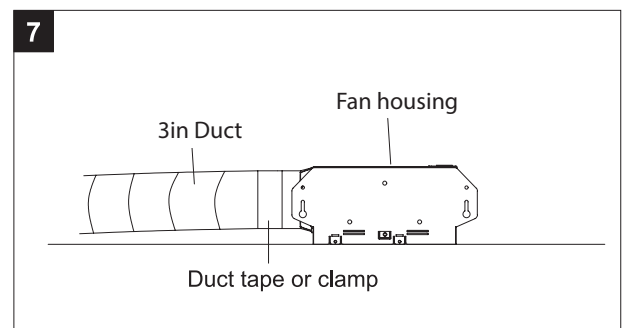


6. Mount the fan housing to the joist by inserting wood screws (B) into the holes indicated on the metal tabs of the fan housing. Tighten the wood screws (B) until the fan housing is firmly secured to the joist.



7. Connect a 3 in. circular duct to the duct connector on the fan housing, securing it with duct tape or a clamp. Vent the duct to the outside. Finish ceiling work.

The ceiling hole should be aligned with the edge of the fan housing.



8. Attach grille by pinching the mounting springs and inserting them into the narrow rectangular slots in the fan housing.

Turn on power source. Test the unit.

