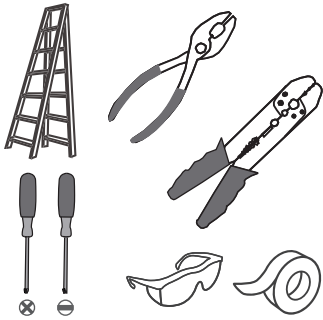
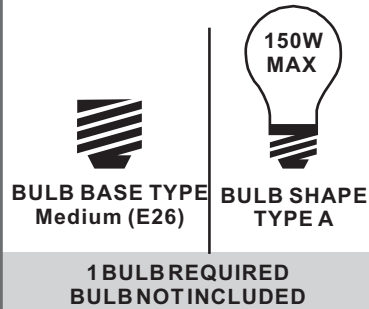


# Installation Guide

## Tools Required



## Light Source



## Warnings and Cautions

Turn off the electricity at the circuit breaker before installation. Consult a licensed electrician if in doubt about installation.

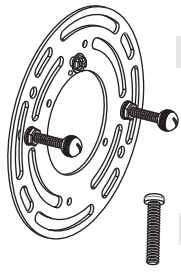
Turn off power to the fixture and allow the bulbs to cool before replacing.

## Package Contents

**Preparation:** Identify and inspect all parts before beginning the installation.

Missing or damaged parts? Contact your original place of purchase.

### PARTS BAG



**A** Crossbar Assembly x 1

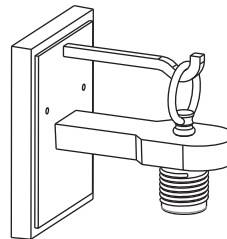
**B** Alternate Mounting Screw x 2



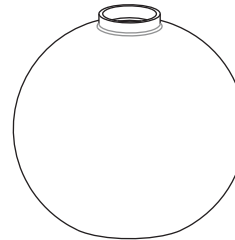
**C** Outlet Box Screw x 2



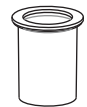
**D** Wire Connector x 3



**E** Fixture Body x 1



**F** Shade x 1



**G** Socket Collar x 1

## Table of Contents

### Alternate Mounting Screw



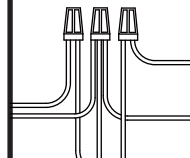
STEP 1

### Crossbar Assembly



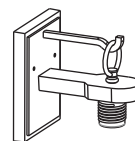
STEP 2

### Wiring



STEP 3

### Fixture Body



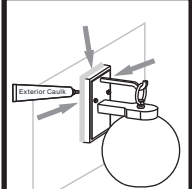
STEP 4

### Shade & Bulb



STEP 5

### Caulk

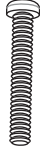


STEP 6

# STEP 1


OPTION 1

Standard Mounting Screw  
Included (Pre-assembled)

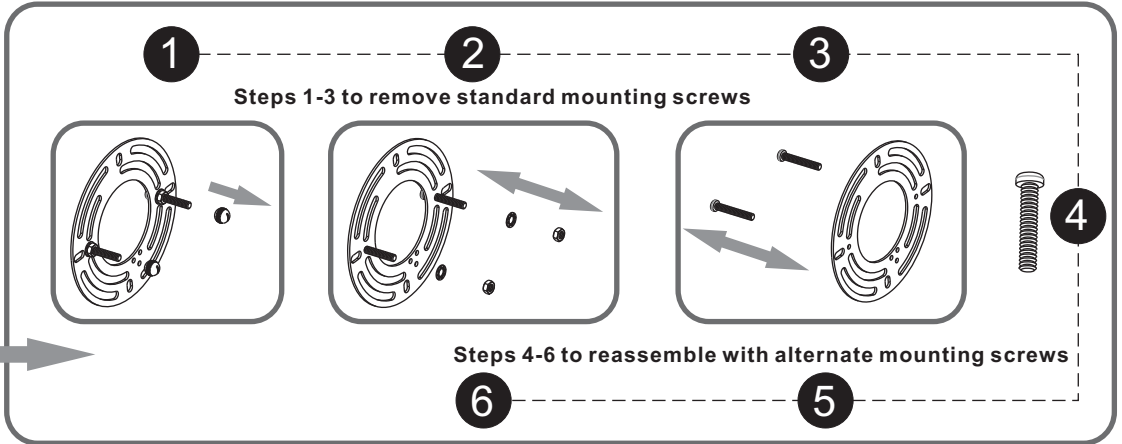


OPTION 2

Alternate Mounting Screw  
Included



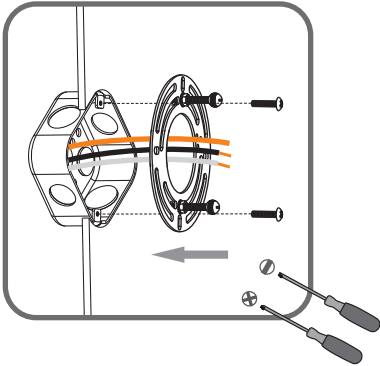
skip to next page



# STEP 2

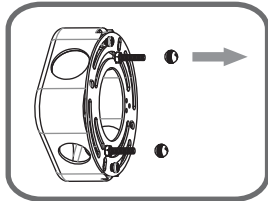
1

Step 1  
Install crossbar assembly

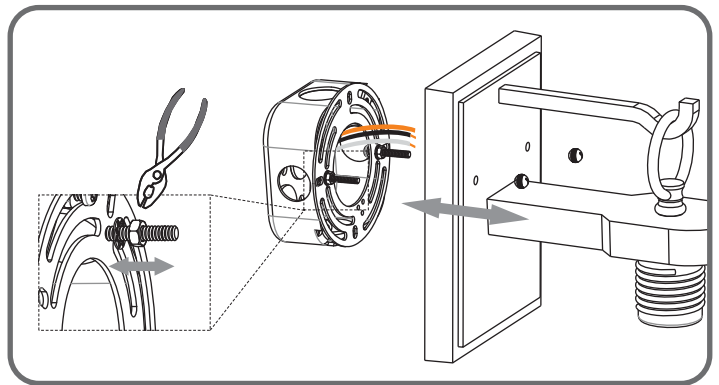


2

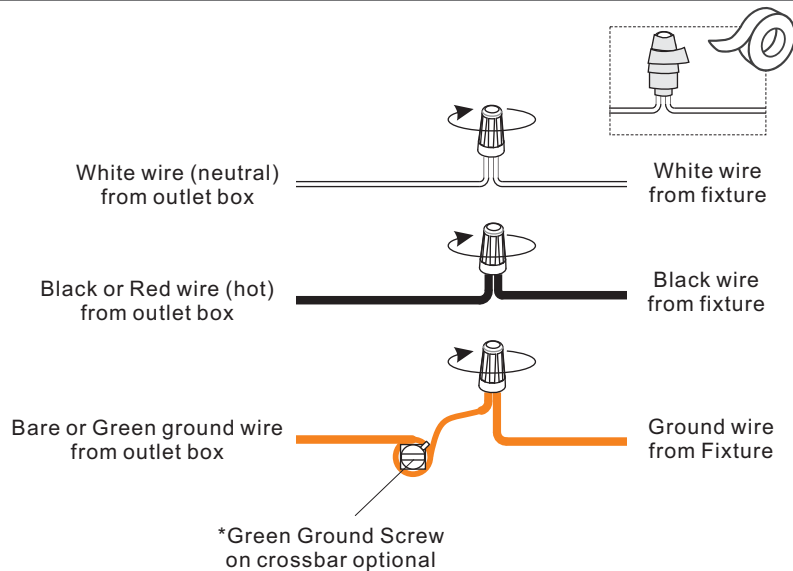
Step 2 - 3  
Test fitting backplate to mounting screws



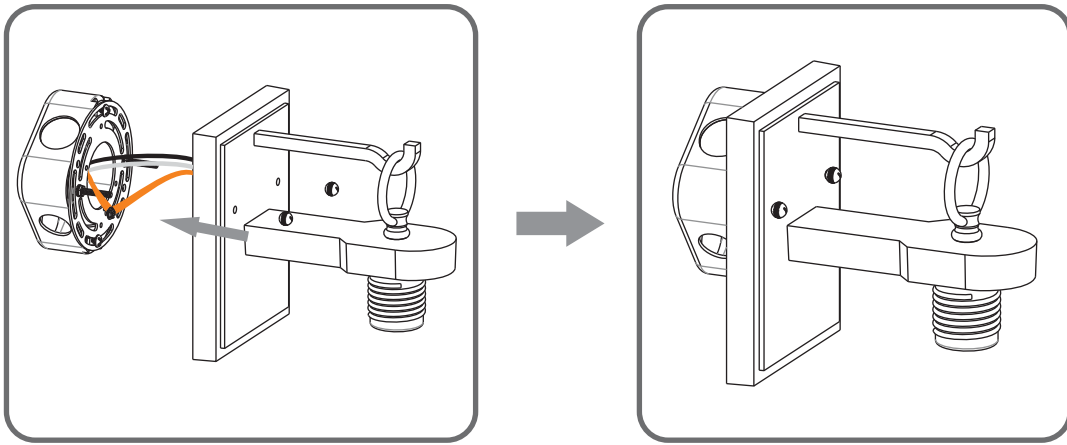
3



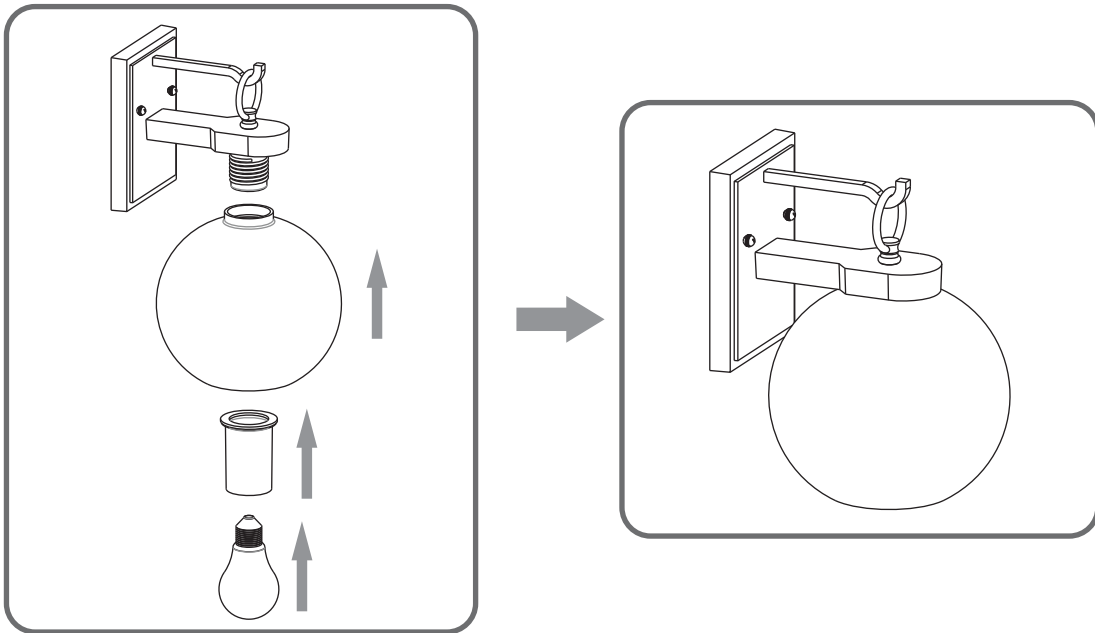
# STEP 3



**STEP 4**



**STEP 5**



**STEP 6**

