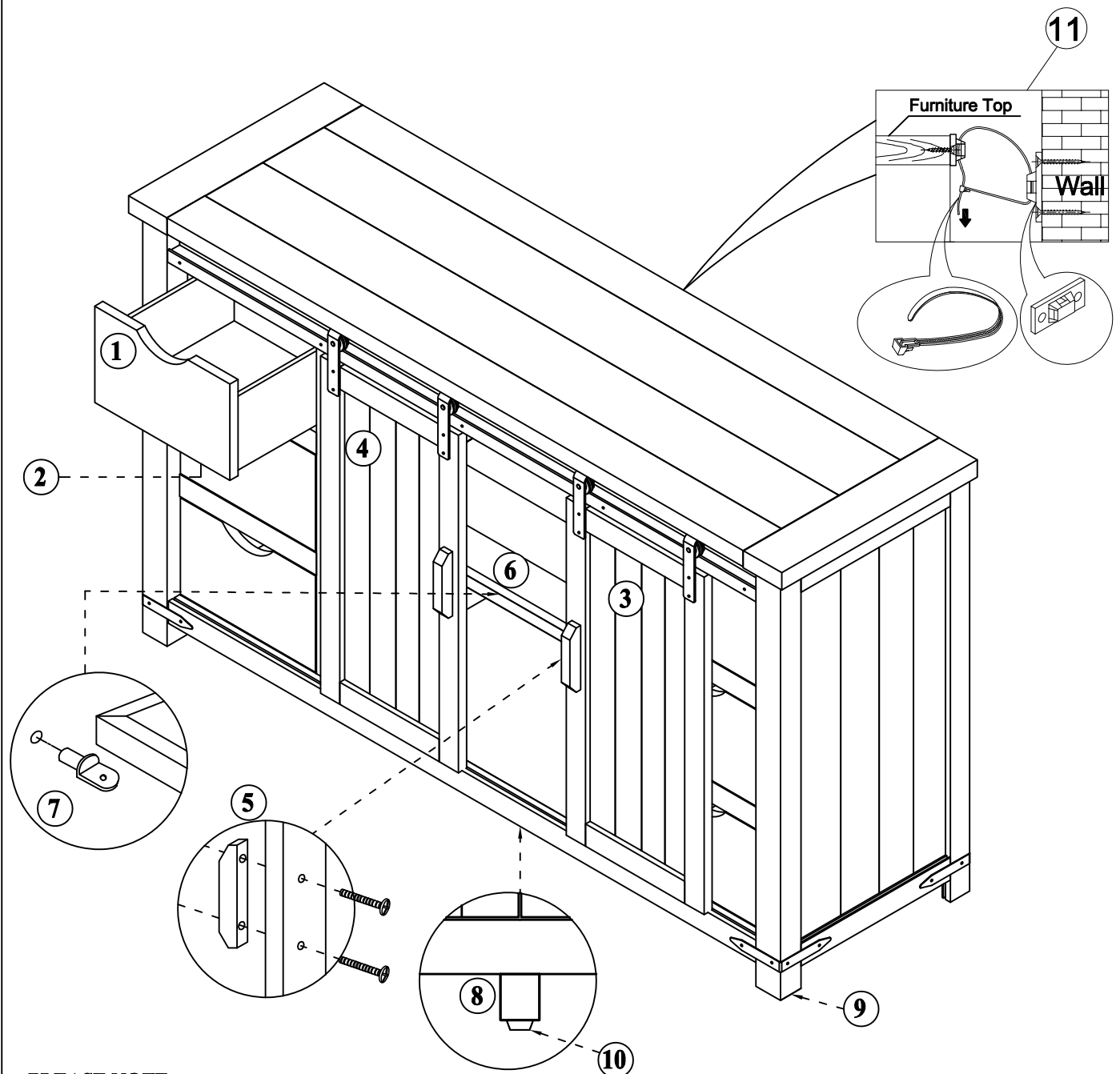


## ASSEMBLY INSTRUCTIONS & PARTS IDENTIFICATION

**Thank you for purchasing this quality product. Be sure to check all packing material carefully for small parts that may have come loose inside the carton during shipment.**

### Parts key

No	Code	Qty	Description	No	Code	Qty	Description
1	A	6 Pcs.	Drawer Complete	7	G	4 Pcs.	Shelf Pin
2	B	6 Sets.	Drawer Glide	8	H	1 Pc.	Center Leg
3	C	1 Pc.	Right Facing Door	9	I	4 Pcs.	Floor Glide
4	D	1 Pc.	Left Facing Door	10	K	1 Pc.	Leveler
5	E	2 Pcs.	Wood Handle W/Screws	11	L	1 Set.	Anti- Tip Kit
6	F	1 Pc.	Shelf				



**PLEASE NOTE :**

**To avoid the possibility of the furniture tipping and injury. The anti tip hardware must be installed**