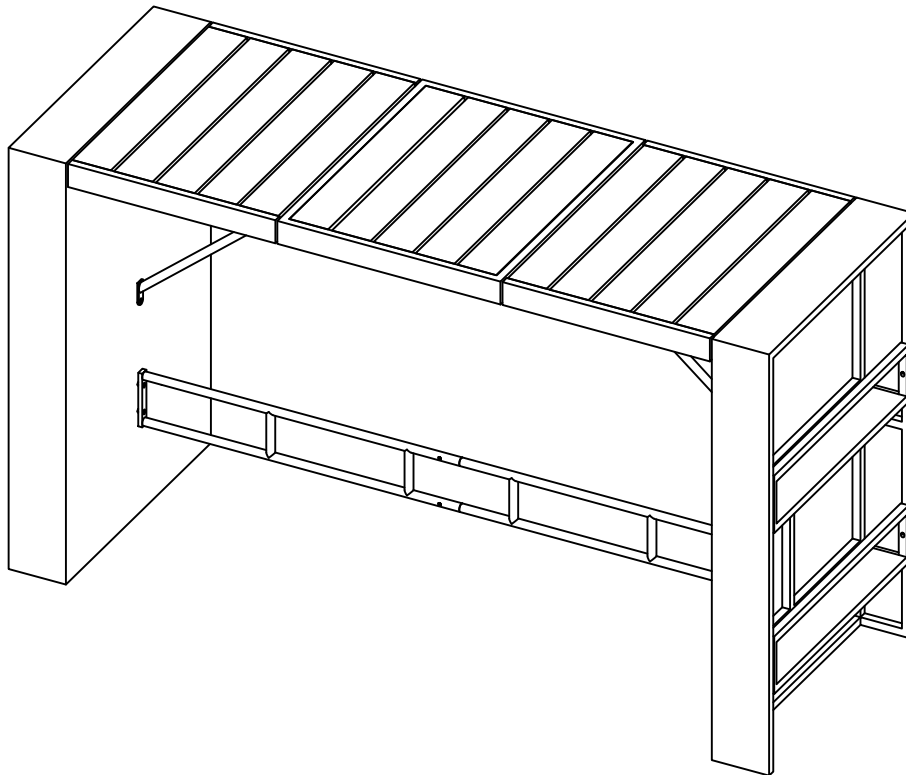


RATTAN BAR TABLE



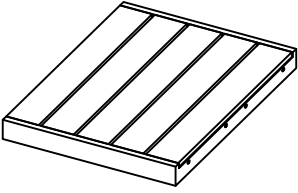
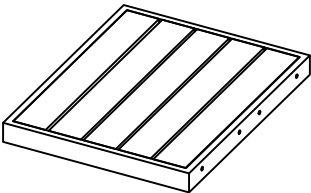
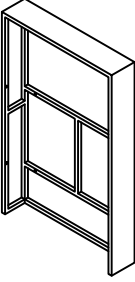
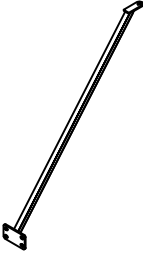
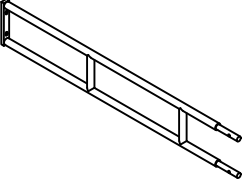
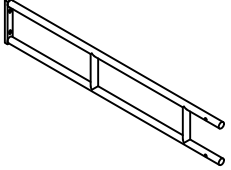
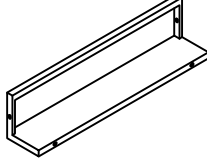

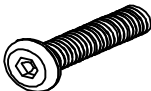
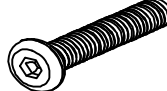



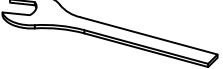
ATTENTION Section:

1. If you encounter any issues, such as missing accessories or damaged parts, please contact us immediately and include pictures (email:jm@nicesoulfurniture.com)

Assembly Instructions:

1. Assembly requires two people to complete.
2. For optimal assembly, we highly recommend using the provided Allen key. If using a power tool, please set it to a low speed to prevent any damage
3. Do not fully tighten the screws until all screws are properly aligned with their holes.

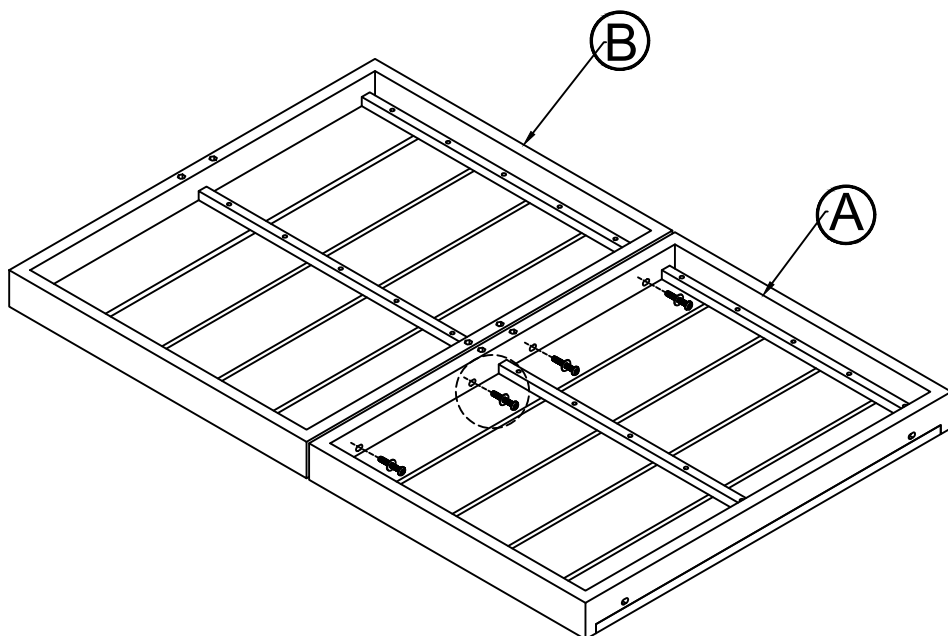
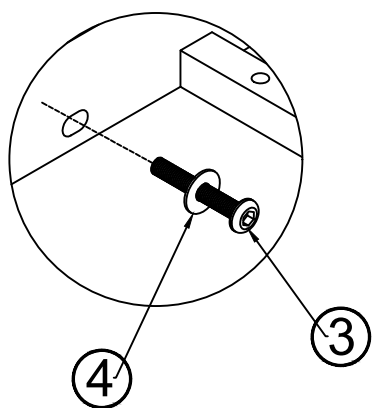
PARTS LIST OF BOX

<p>A</p>  <p>2pcs</p>	<p>B</p>  <p>1pc</p>	<p>D</p>  <p>2pcs</p>	<p>E</p>  <p>2pcs</p>
<p>F</p>  <p>1pc</p>	<p>G</p>  <p>1pc</p>	<p>H</p>  <p>4pcs</p>	
<p>①</p>  <p>M6*20 10pcs</p>	<p>②</p>  <p>M6*30 22pcs</p>	<p>③</p>  <p>M6*40 12pcs</p>	<p>④</p>  <p>M6 46pcs</p>
<p>⑤</p>  <p>M6 2pcs</p>	<p>⑥</p>  <p>M6 1pc</p>	<p>⑦</p>  <p>M6 1pc</p>	



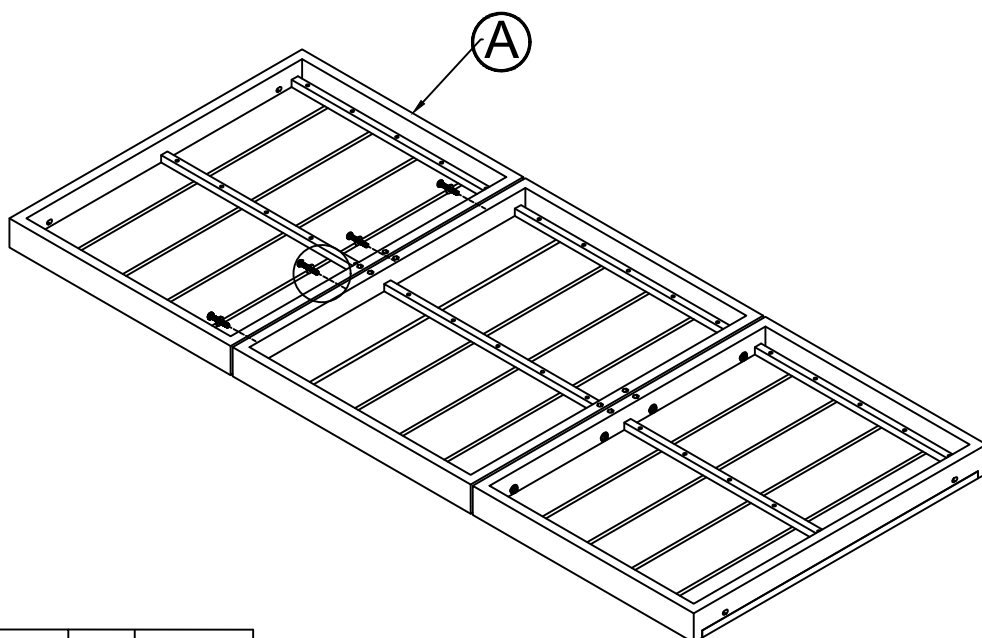
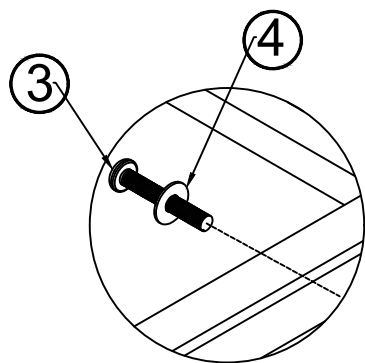
Scan the QR to watch the installation video

STEP 1



A	1pc	B	1pc	③	4pcs	④	4pcs	⑥	1pc
				M6*40		M6		M6	

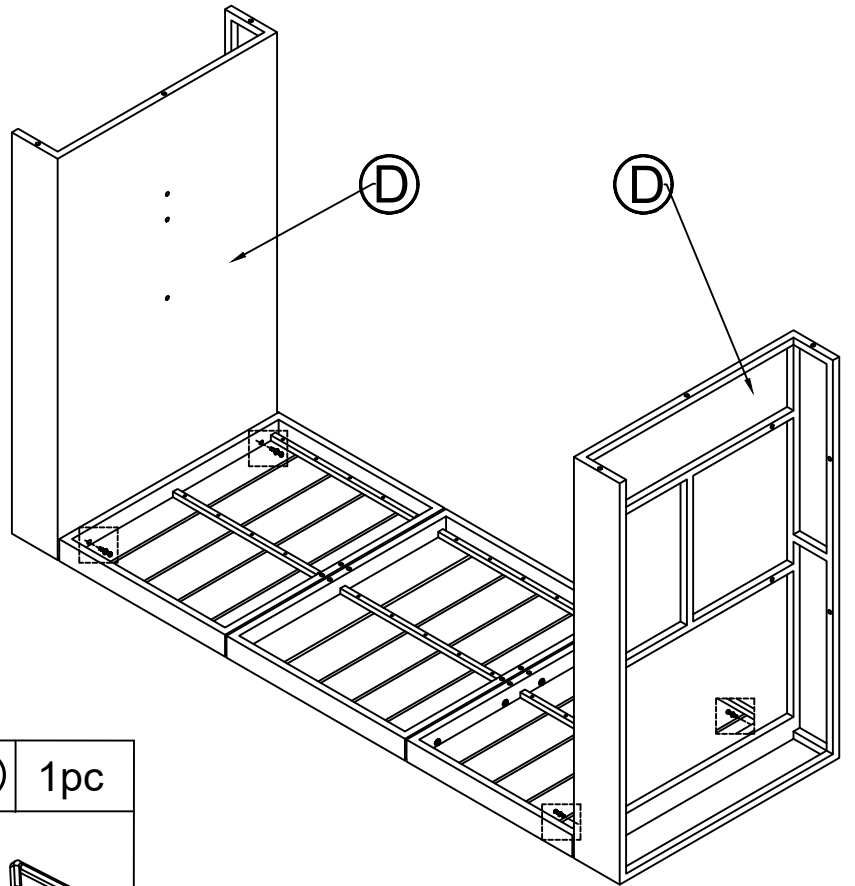
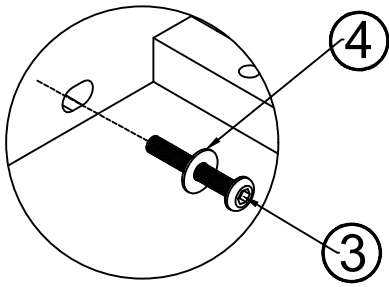
STEP 2



A	1pc	③	4pcs	④	4pcs	⑥	1pc
		M6*40		M6		M6	

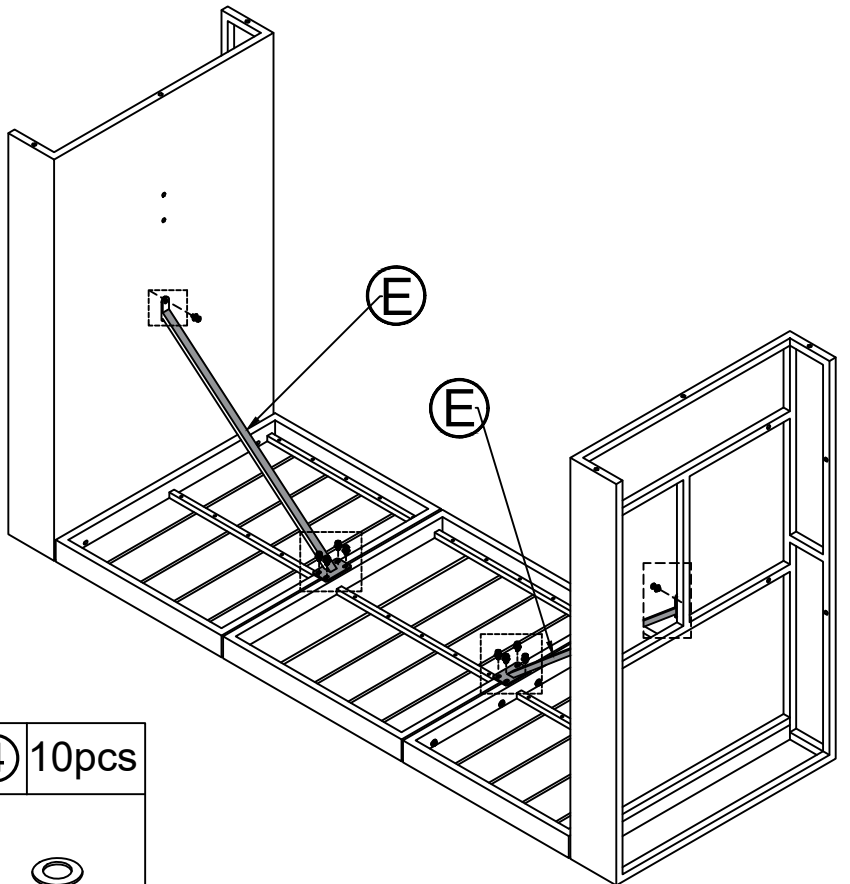
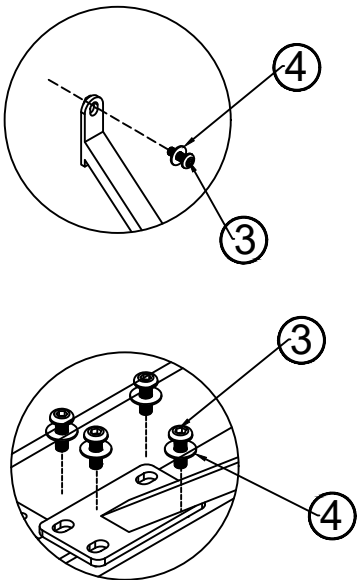
Do not fully tighten all screws until assembly is completed.

STEP 3



D	2pcs	③	4pcs	④	4pcs	⑥	1pc
		M6*40		M6		M6	

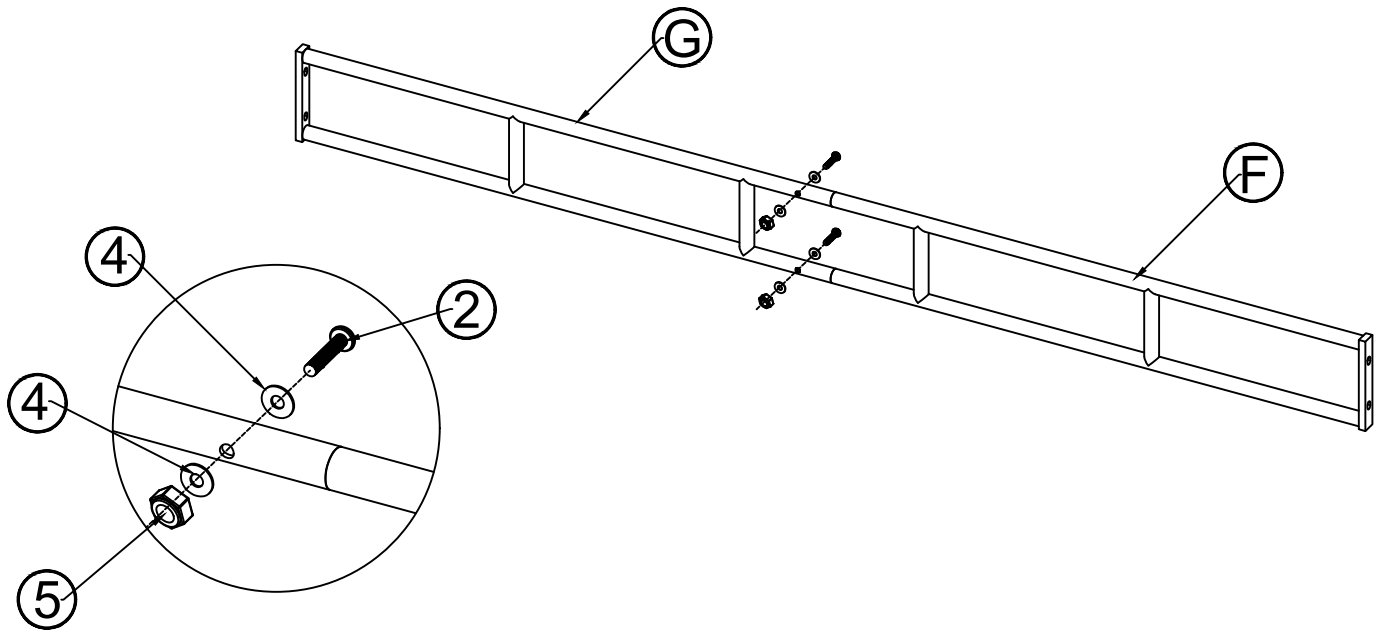
STEP 4

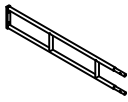
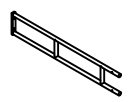






E	2pcs	①	1pc	③	10pcs	④	10pcs
		M6		M6*20		M6	

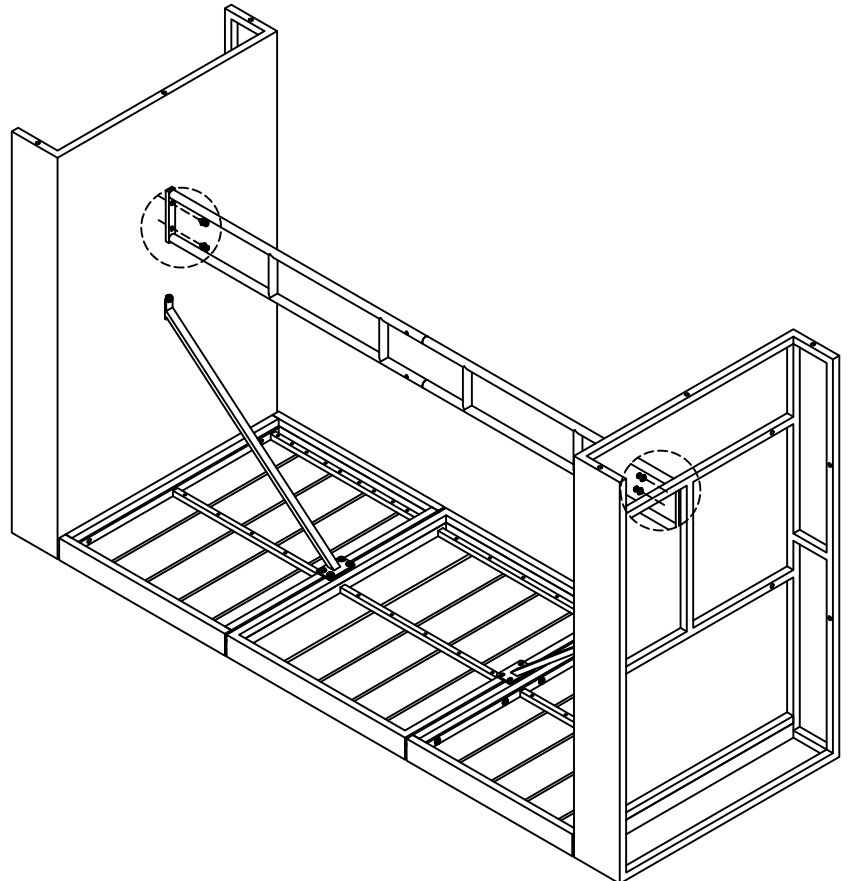
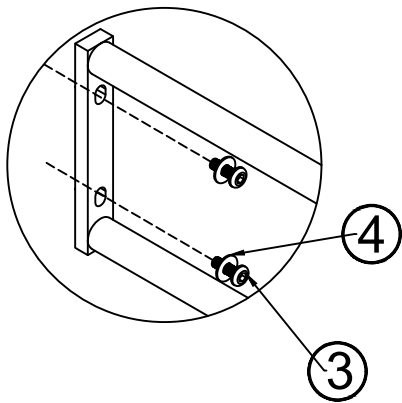
Do not fully tighten all screws until assembly is completed.




STEP 5



F	1pc	G	1pc	②	2pcs	④	4pcs	⑤	2pcs	⑥	1pc
											
				M6*30		M6		M6		M6	

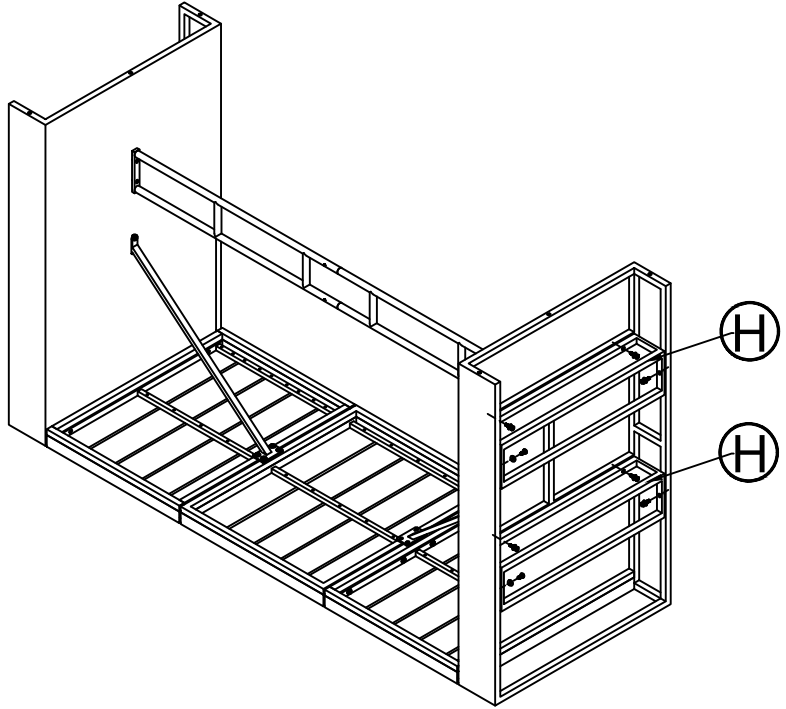
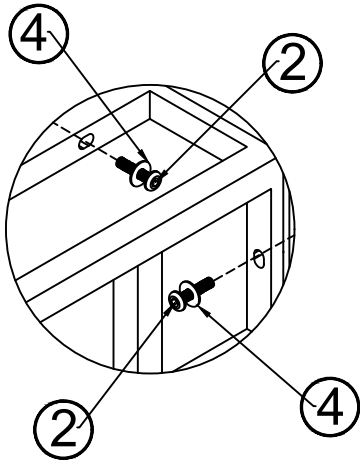
STEP 6

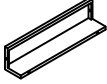







③	4pcs	④	4pcs	⑥	1pc
					
M6*30		M6		M6	

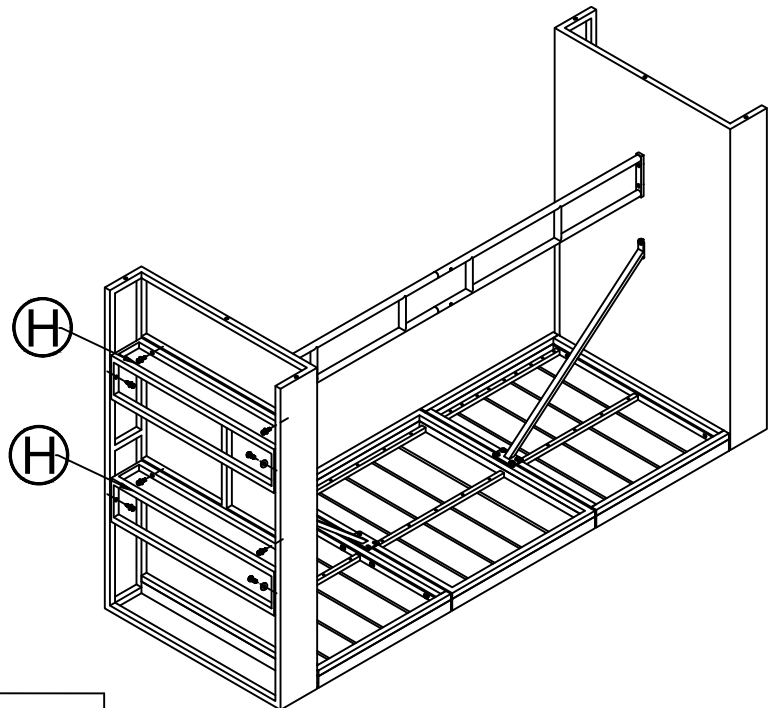
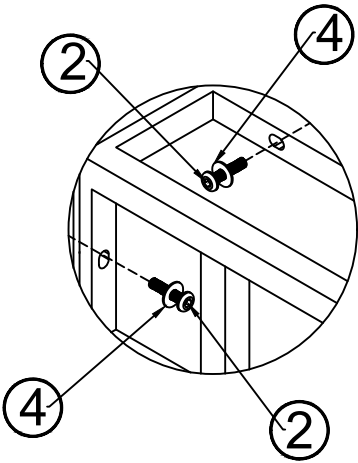
Do not fully tighten all screws until assembly is completed.

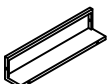





STEP 7



H	2pcs	②	8pcs	④	8pcs	⑥	1pc
							
	M6*30	M6			M6		

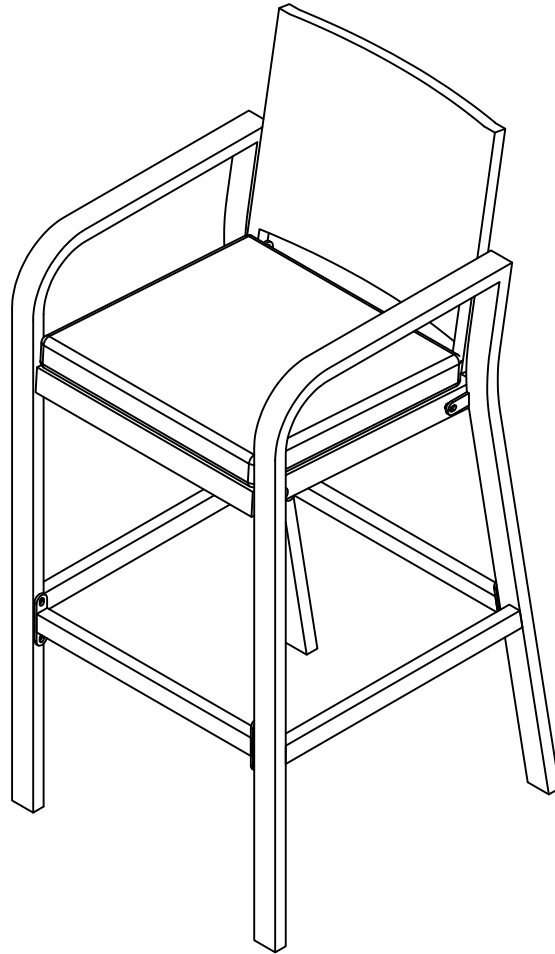
STEP 8



H	2pcs	②	8pcs	④	8pcs	⑥	1pc
							
	M6*30	M6			M6		

Do not fully tighten all screws until assembly is completed.

RATTAN BAR CHAIR



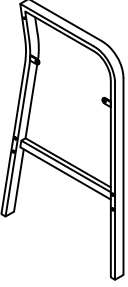
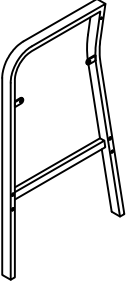
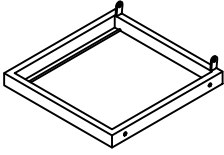
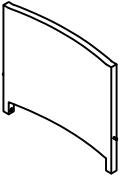
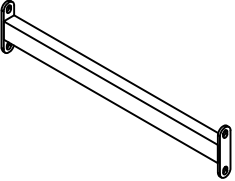
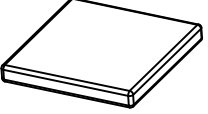
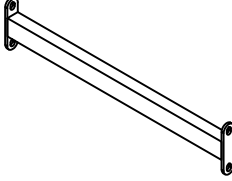



ATTENTION Section:

1. If you encounter any issues, such as missing accessories or damaged parts, please contact us immediately and include pictures (email:jm@nicesoulfurniture.com)

Assembly Instructions:

1. Assembly requires two people to complete.
2. For optimal assembly, we highly recommend using the provided Allen key. If using a power tool, please set it to a low speed to prevent any damage
3. Do not fully tighten the screws until all screws are properly aligned with their holes.

PARTS LIST OF BOX

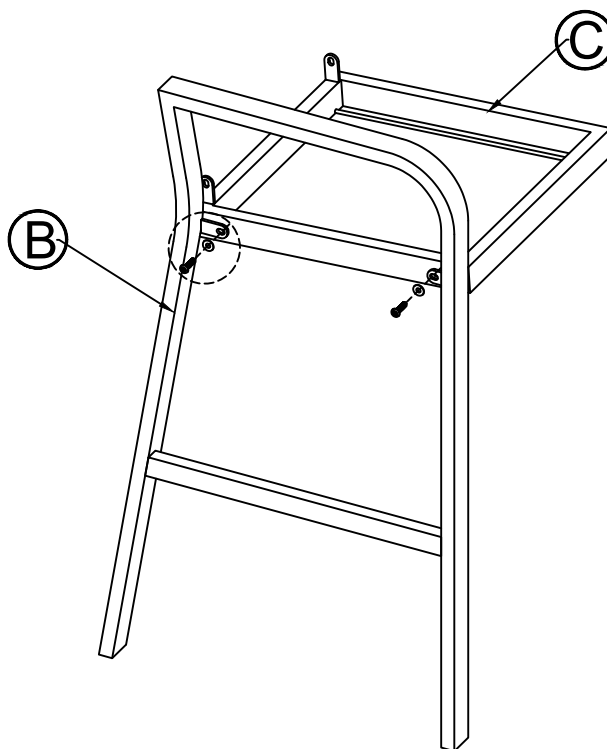
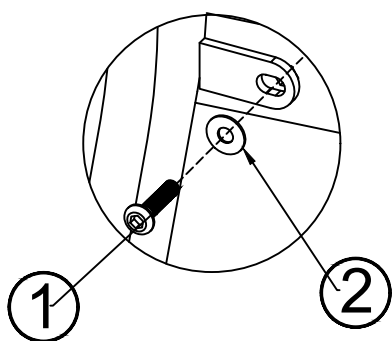
A  LEFT 2pcs	B  RIGHT 2pcs	C  2pcs	D  2pcs
E  STAINLESS STEEL 2pcs	F  2pcs	G  2pcs	
①  M6*25 28pcs	②  M6 28pcs	③  M6 2pcs	


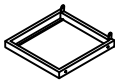





Scan the QR to watch the installation video

STEP 1

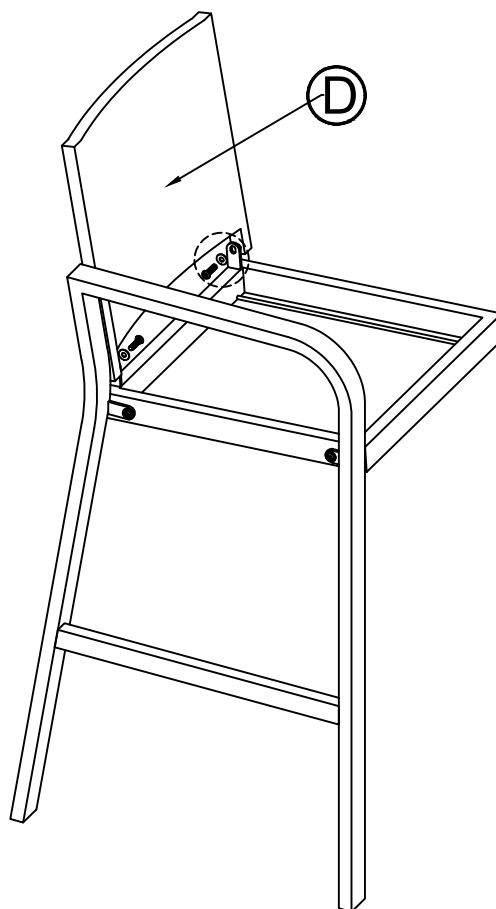
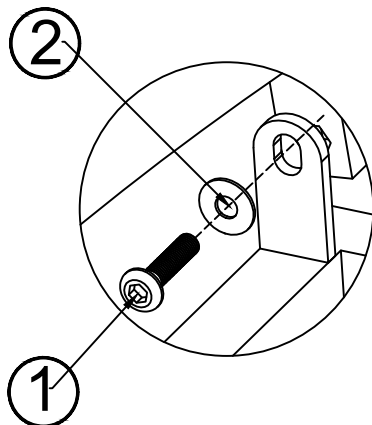
x2




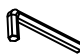


B	1pc	C	1pc	①	2pcs	②	2pcs	③	1pc
					M6*25		M6		M6

STEP 2

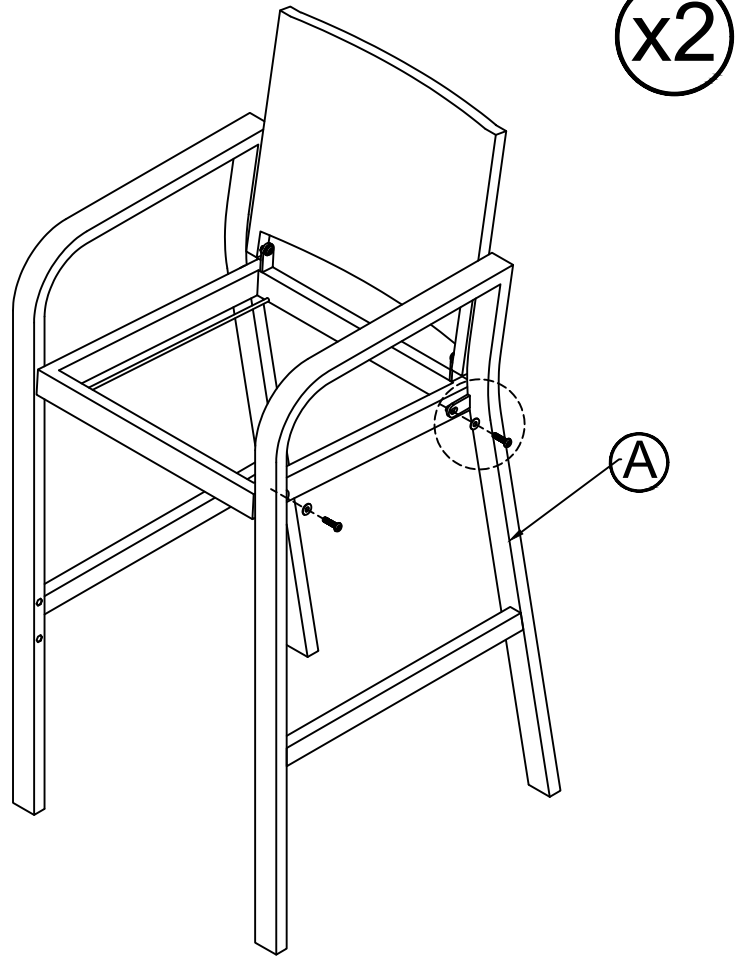
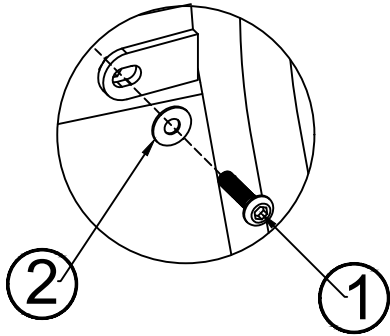
x2







D	1pc	①	2pcs	②	2pcs	③	1pc
			M6*25		M6		M6

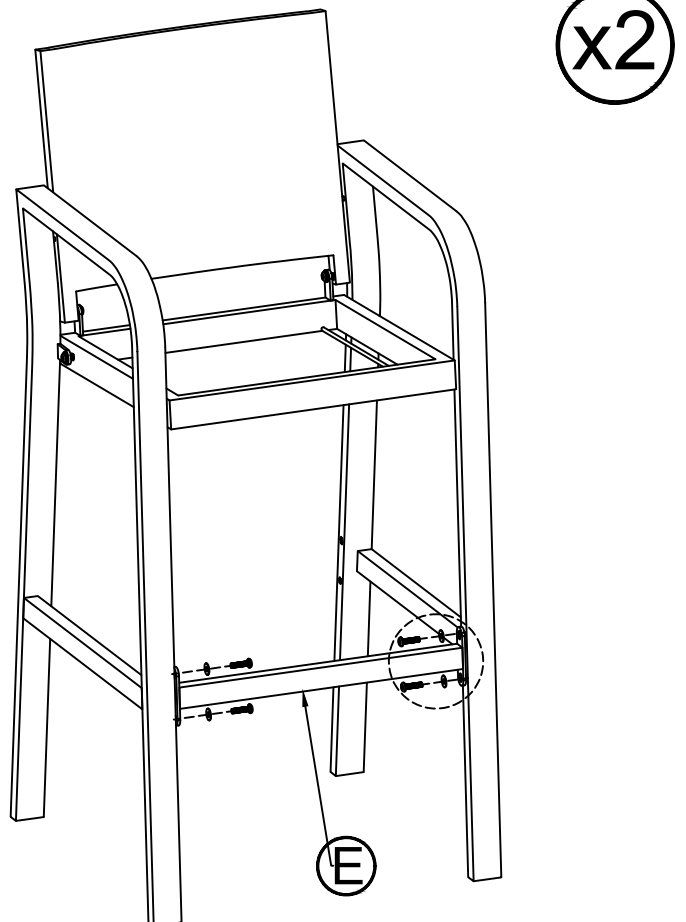
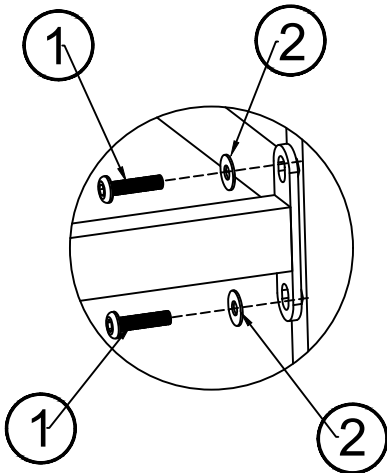
Do not fully tighten all screws until assembly is completed.

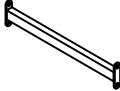



STEP 3



A	1pc	①	2pcs	②	2pcs	③	1pc
			M6*25		M6		M6

STEP 4

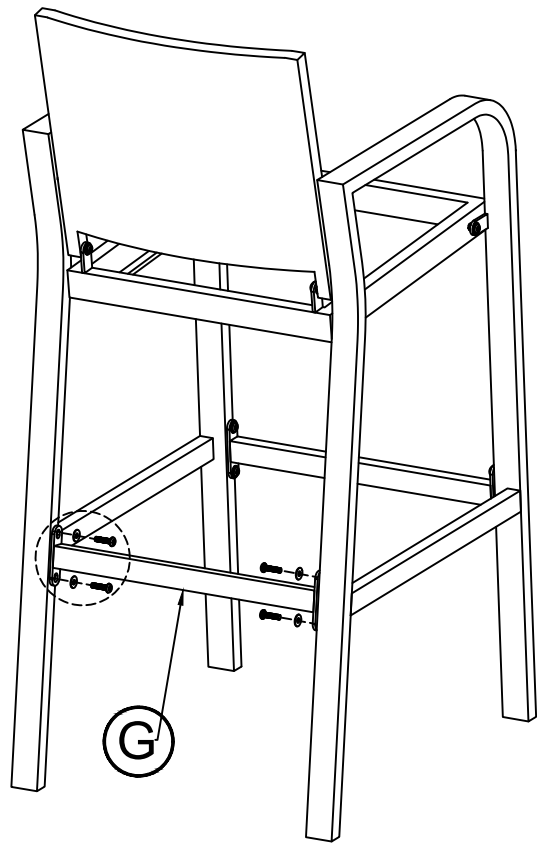
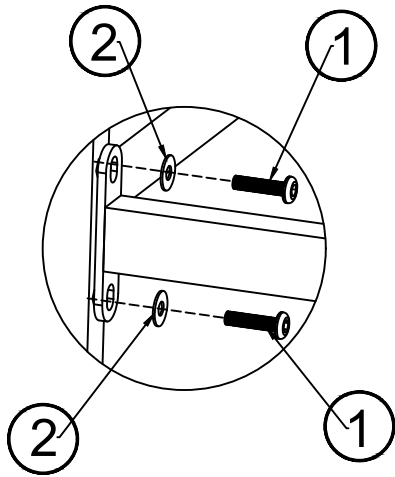


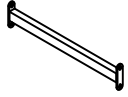



E	1pc	①	4pcs	②	4pcs	③	1pc
			M6*25		M6		M6

Do not fully tighten all screws until assembly is completed.

STEP 5

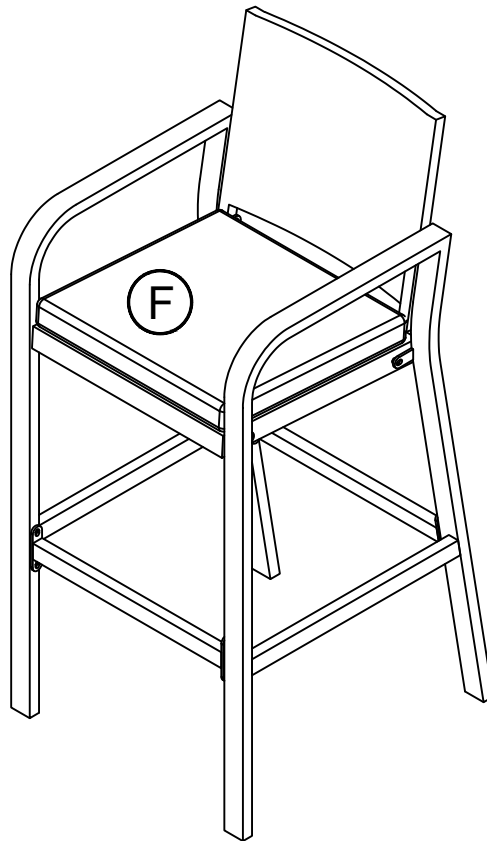
x2




G	1pc	①	4pcs	②	4pcs	③	1pc
							
		M6*25		M6		M6	

STEP 6

x2



F	1pc
	

Do not fully tighten all screws until assembly is completed.