
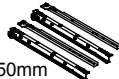











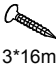



USER'S MANUAL

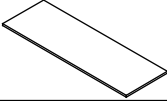

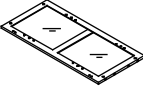
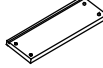

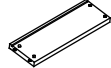
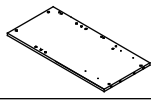
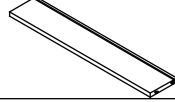
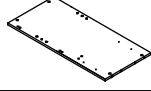
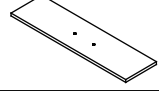
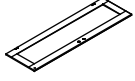
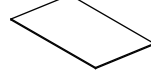
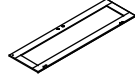
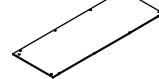
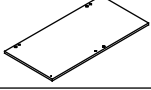

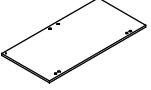
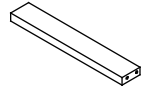
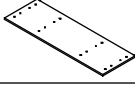
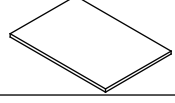
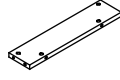
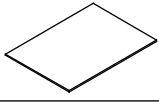
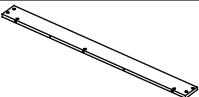
SIDEBOARD

PRODUCT ASSEMBLY

Hardware List

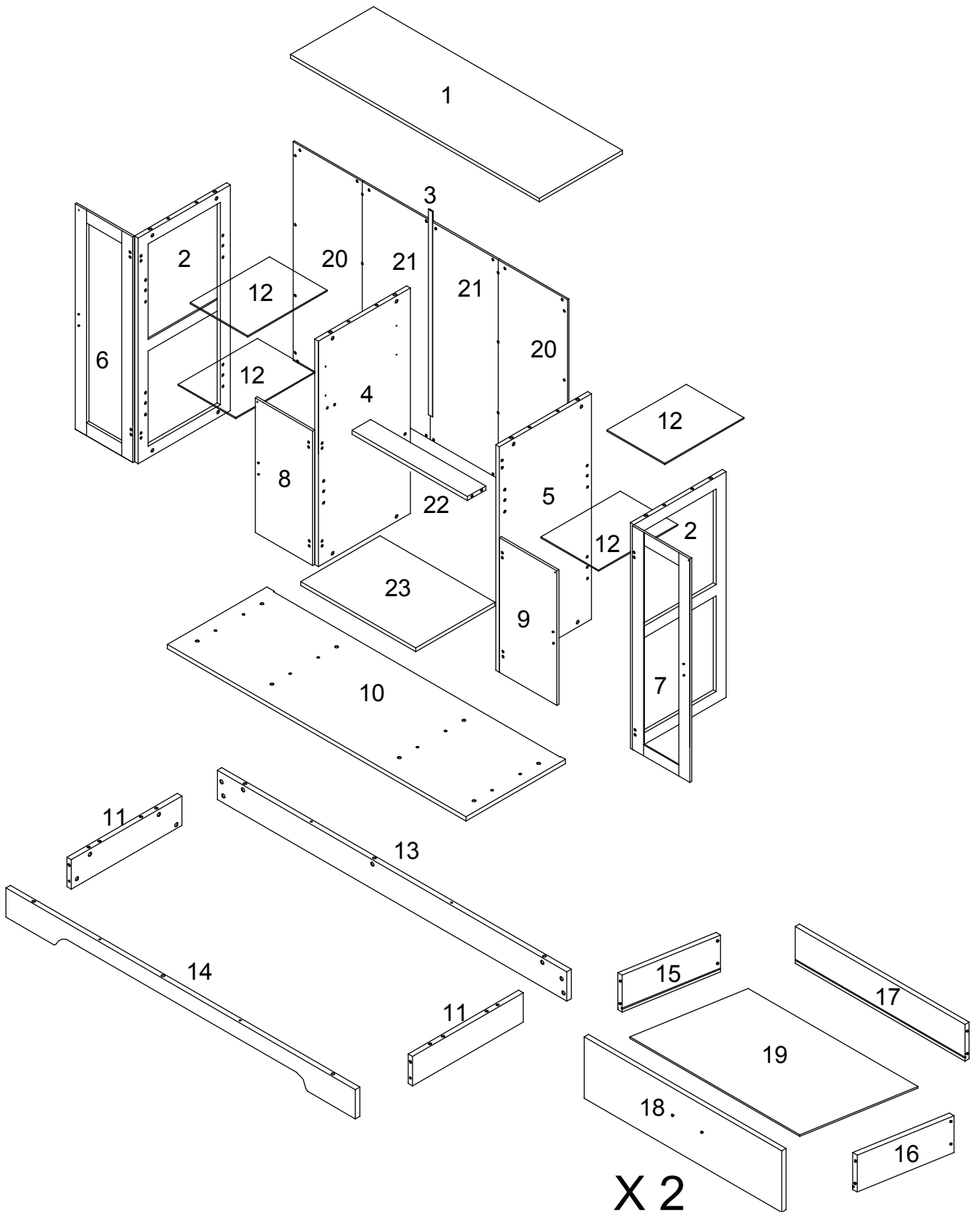
A	 6*35mm	40 pcs	F	 250mm	2 sets	K		4 pcs
B	 15*10mm	40 pcs	G	 3*12mm	56 pcs	L		32 pcs
C	 8*30mm	30 pcs	H	 4*30mm	8 pcs	M		16 pcs
D		6 pcs	I		3 pcs	N		4 pcs
E	 4*16mm	12 pcs	J	 3*16mm	6 pcs	O		8 pcs

Parts List

1		1 pc	14		1 pc
2		2 pcs	15		2 pcs
3		1 pc	16		2 pcs
4		1 pc	17		2 pcs
5		1 pc	18		2 pcs
6		1 pc	19		2 pcs
7		1 pc	20		2 pcs
8		1 pc	21		2 pcs
9		1 pc	22		1 pc
10		1 pc	23		1 pc
11		2 pcs			
12		4 pcs			
13		1 pc			






PRODUCT ASSEMBLY

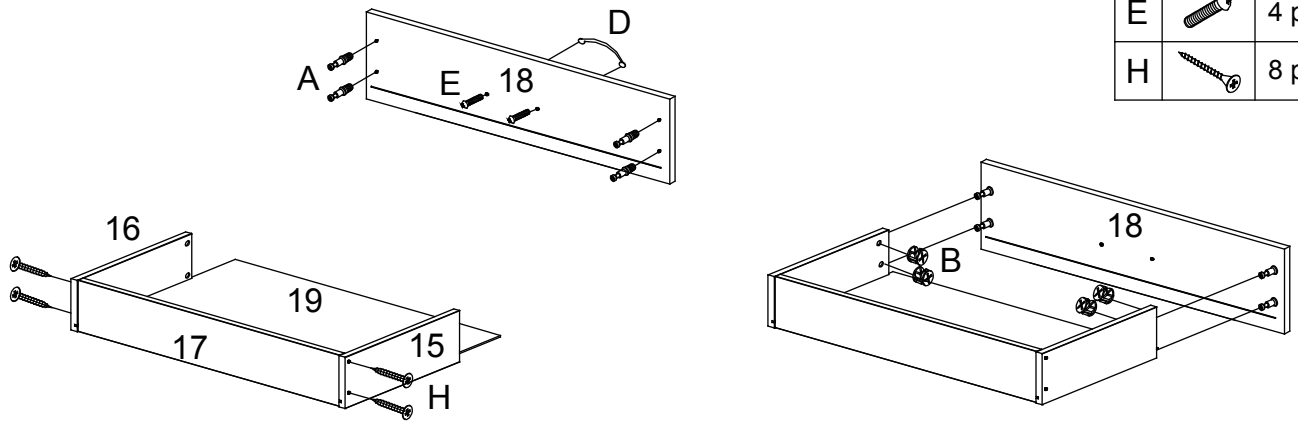
Part List Assembly Overview



PRODUCT ASSEMBLY



Step 1

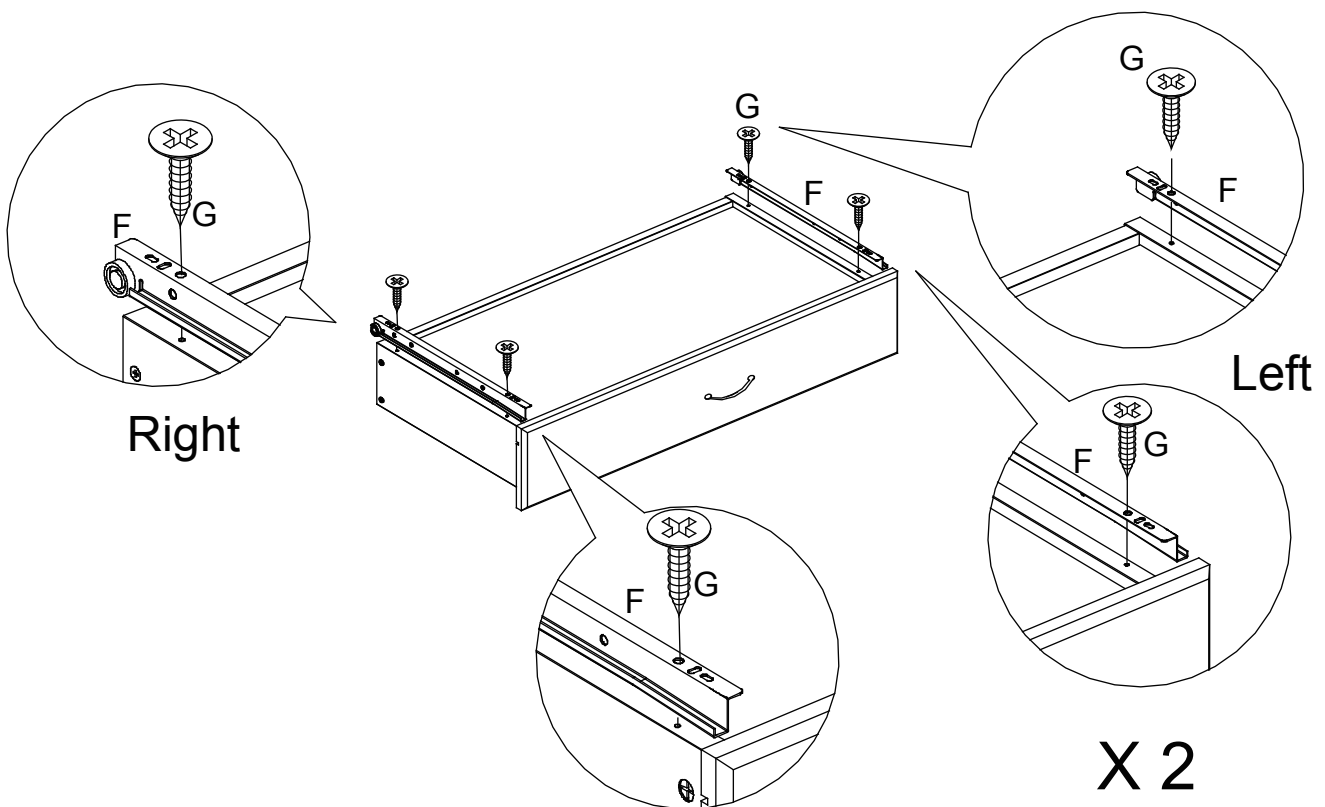
A		8 pcs
B		8 pcs
D		2 pcs
E		4 pcs
H		8 pcs



X 2

Step 2

F		4 pcs
G		8 pcs



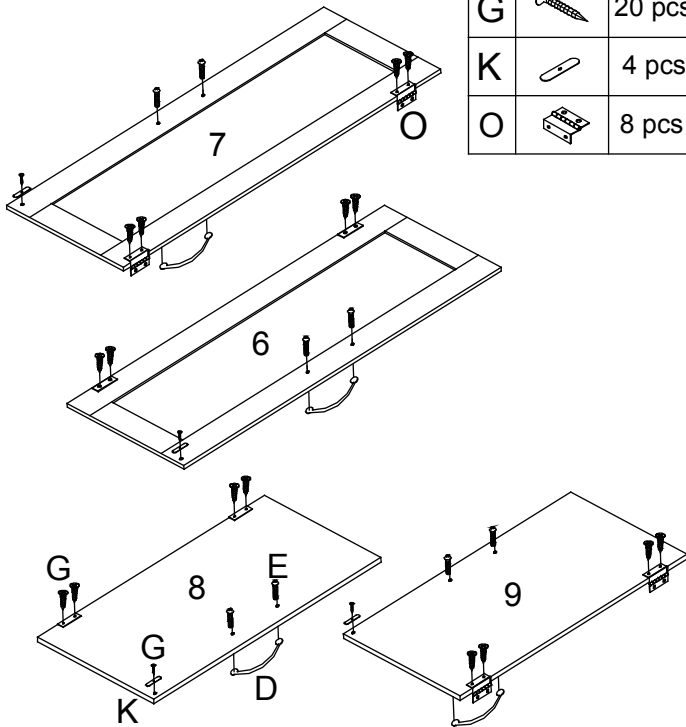
Right

Left

X 2

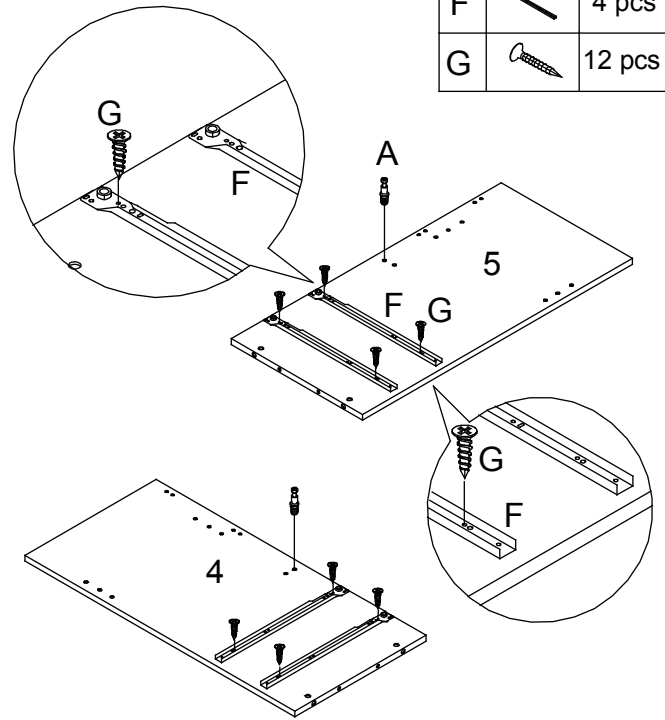
PRODUCT ASSEMBLY

Step 3



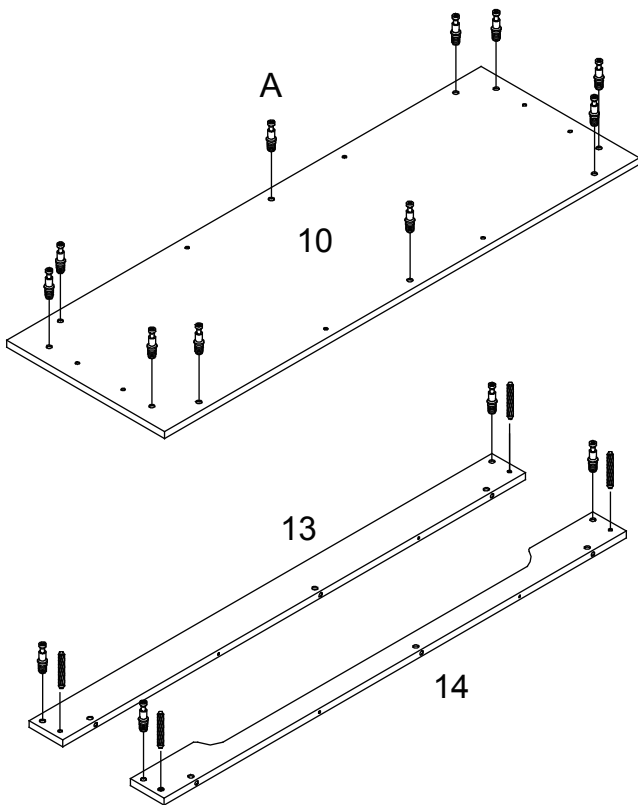
D		4 pcs
E		8 pcs
G		20 pcs
K		4 pcs
O		8 pcs

Step 4



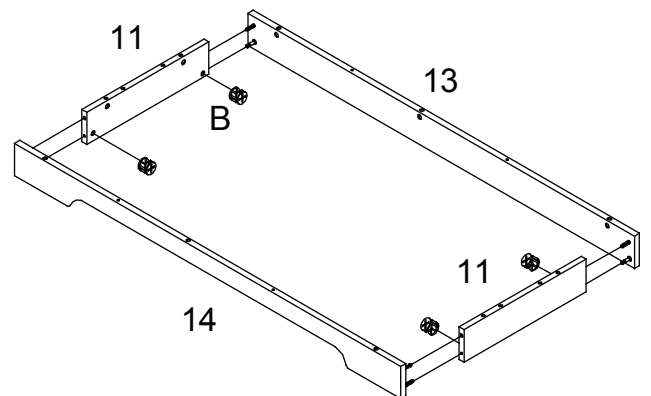
A		2 pcs
F		4 pcs
G		12 pcs

Step 5



A		14 pcs
C		4 pcs



Step 6

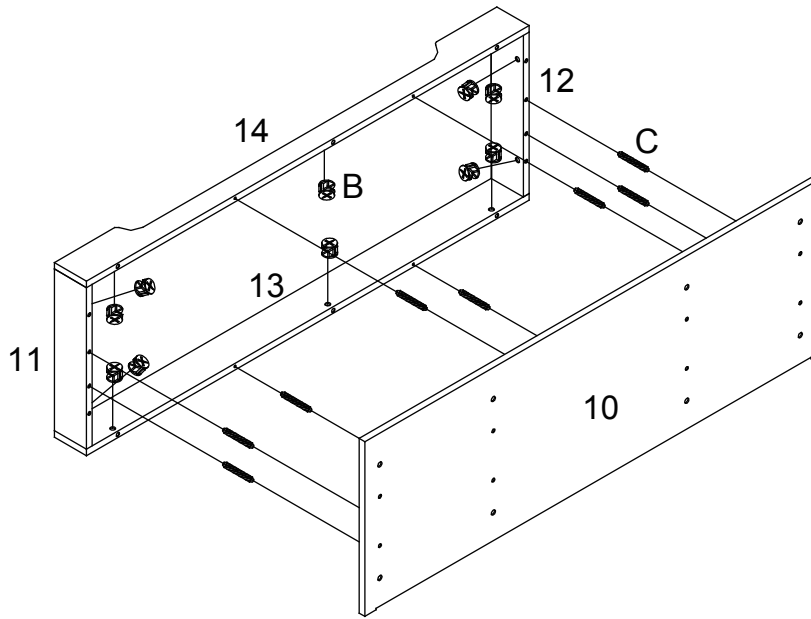


B		4 pcs
---	--	-------

PRODUCT ASSEMBLY

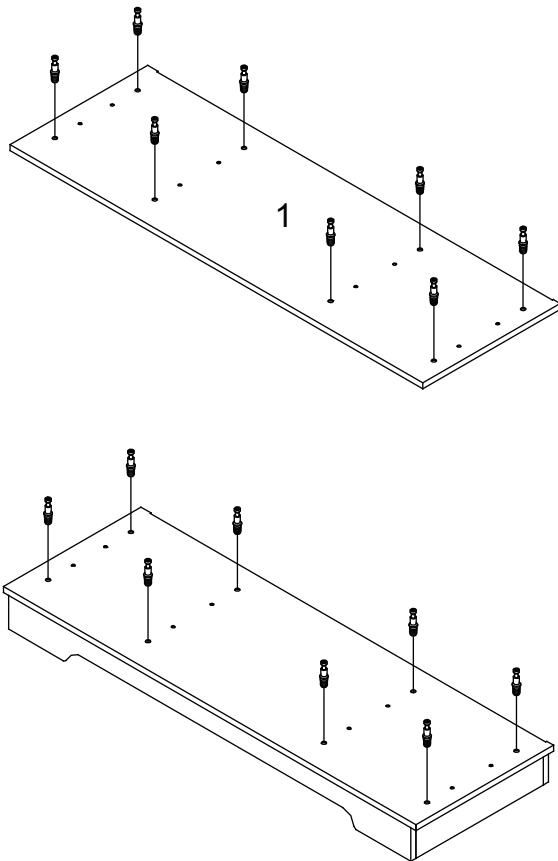
Step 7

B		10 pcs
C		8 pcs





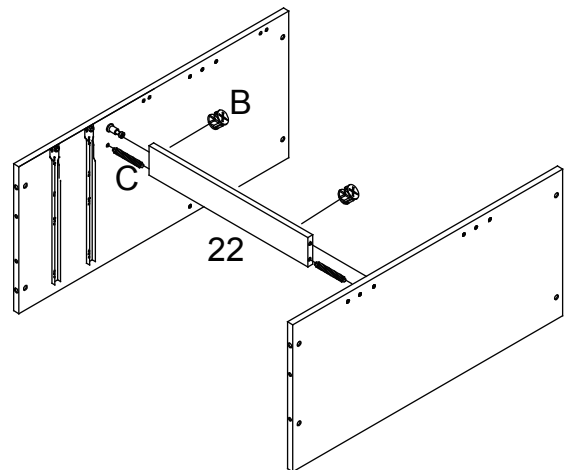
Step 8

A		16 pcs
---	--	--------





Step 9

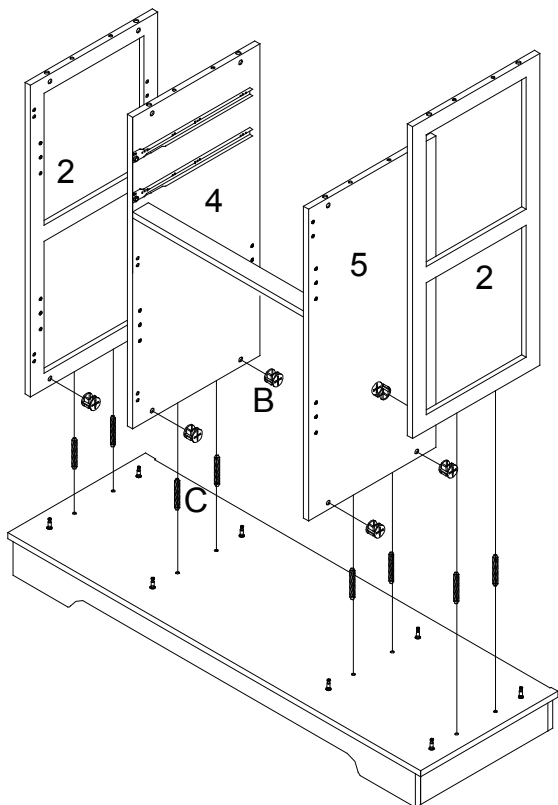
B		2 pcs
C		2 pcs







PRODUCT ASSEMBLY

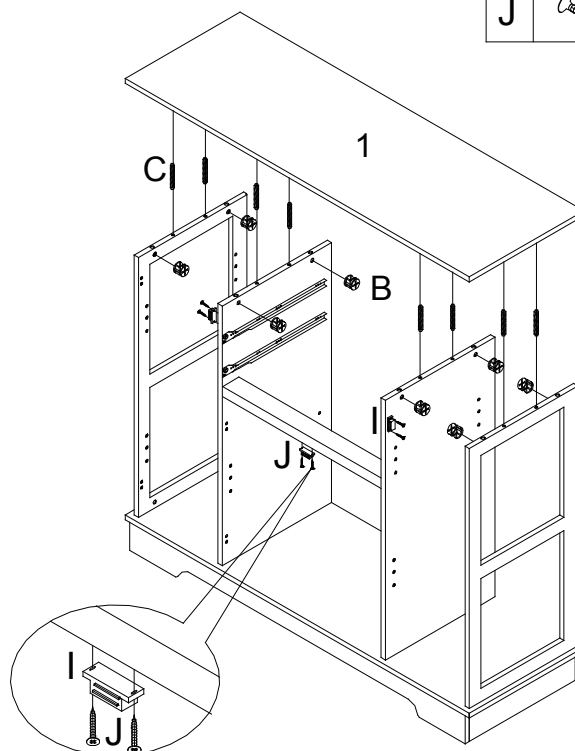
Step 10

B		8 pcs
C		8 pcs



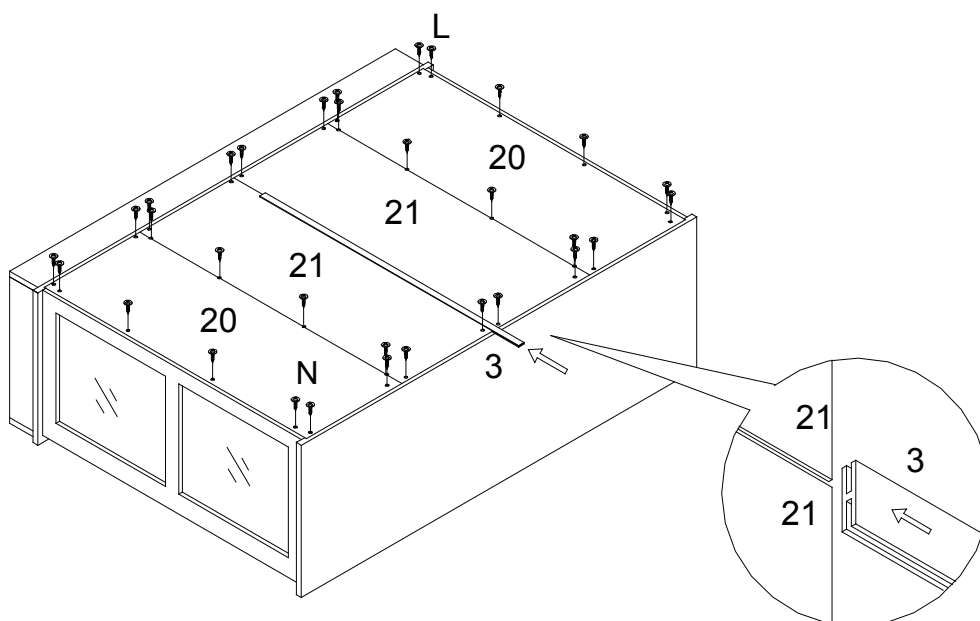
Step 11

B		8 pcs
C		8 pcs
I		3 pcs
J		6 pcs





Step 12

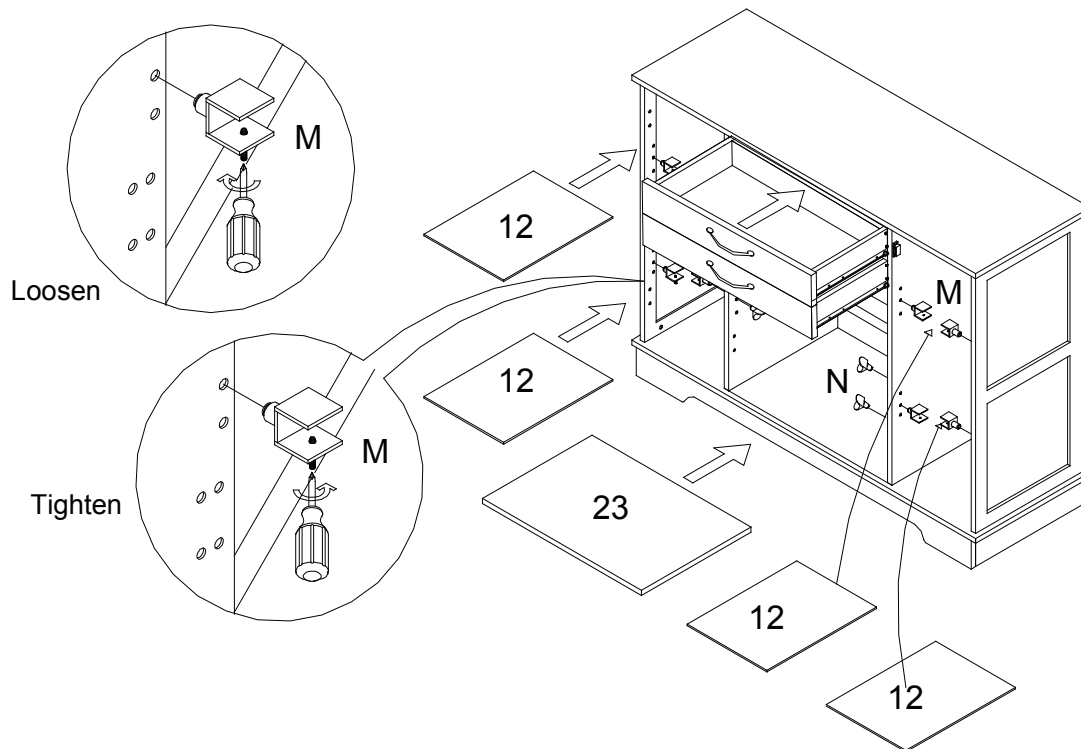
L		32 pcs
---	---	--------



PRODUCT ASSEMBLY

Step 13

M		16 pcs
N		4 pcs



Step 14

G		16 pcs
---	---	--------

