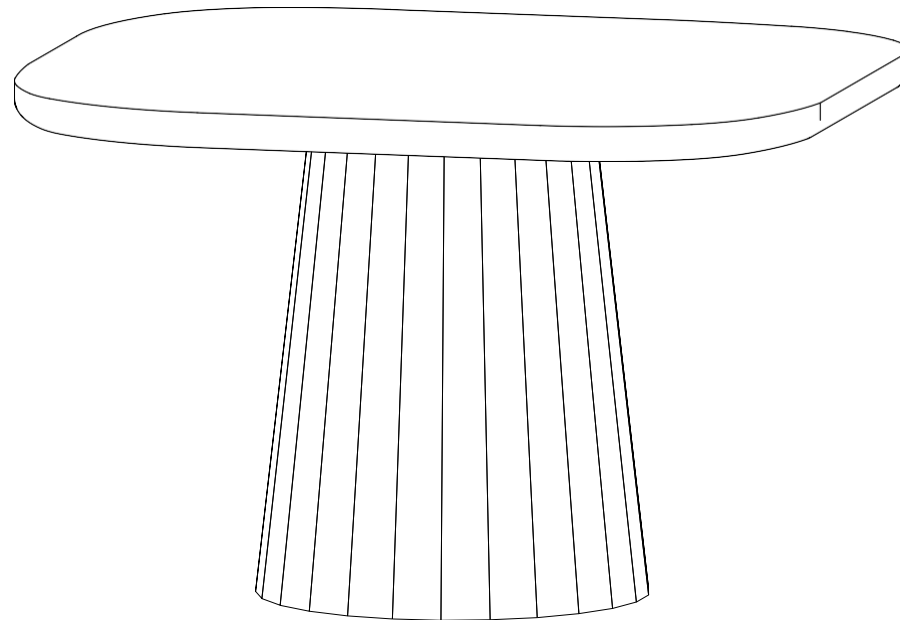


ASSEMBLY INSTRUCTIONS.




FREED DINING TABLE BLACK






THANK YOU FOR YOUR PURCHASE!

PARTS AND HARDWARE.

PARTS LIST

NO.	DESCRIPTION	IMAGE	Q'TY
P1	Top		1
P2	Connecting Plate		1
P3	Base		1

HARDWARES LIST

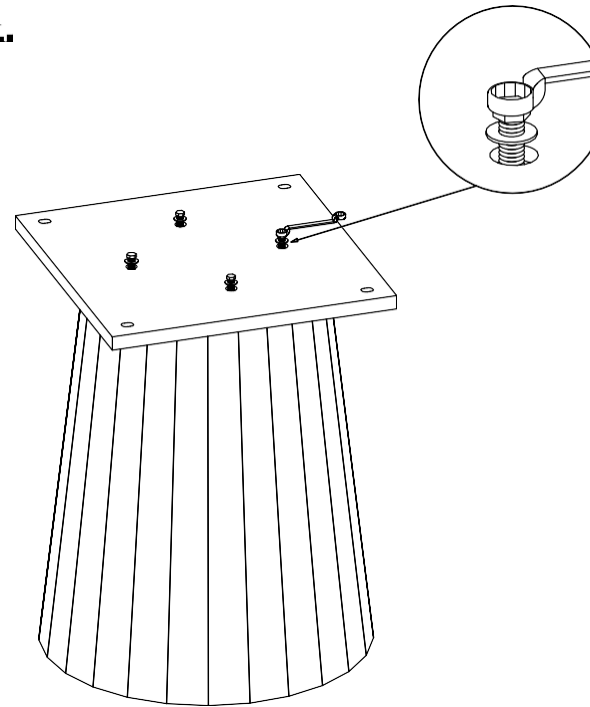
NO.	DESCRIPTION	IMAGE	Q'TY
H1	BOLT		8
H2	Spanner		1
H3	WASHER		8

NOTES.

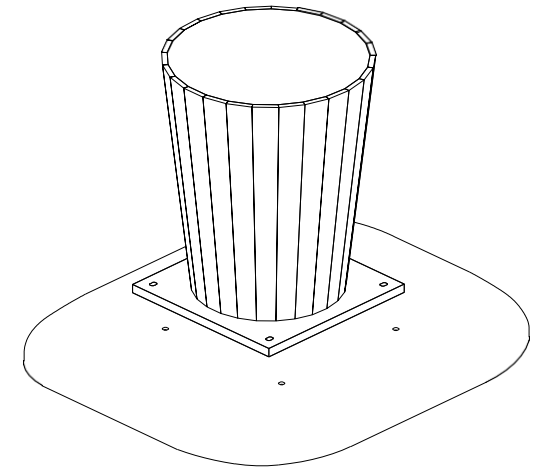
Thank you for purchasing this quality product! Be sure to check all packing material carefully for small part that may have come loose inside the carton during shipping.

CAUTION: The item is heavy, assembly should be performed by two people.

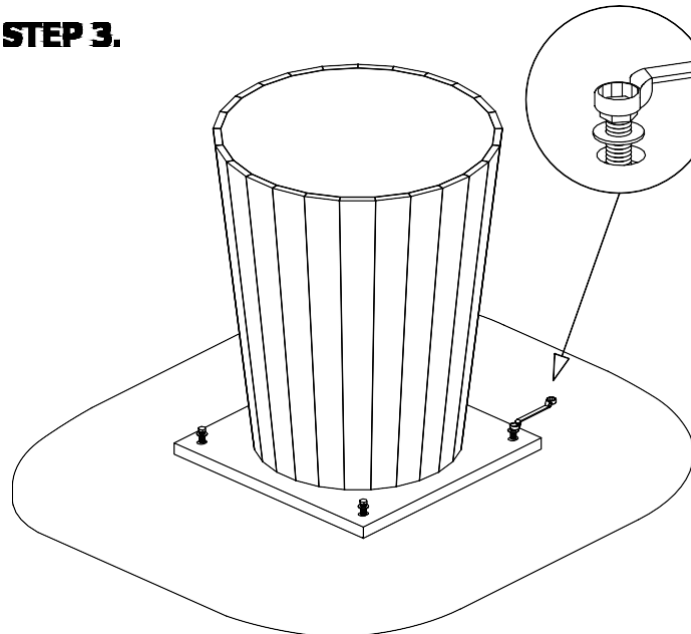
STEP 1.



STEP 2.



STEP 3.



STEP 4.

