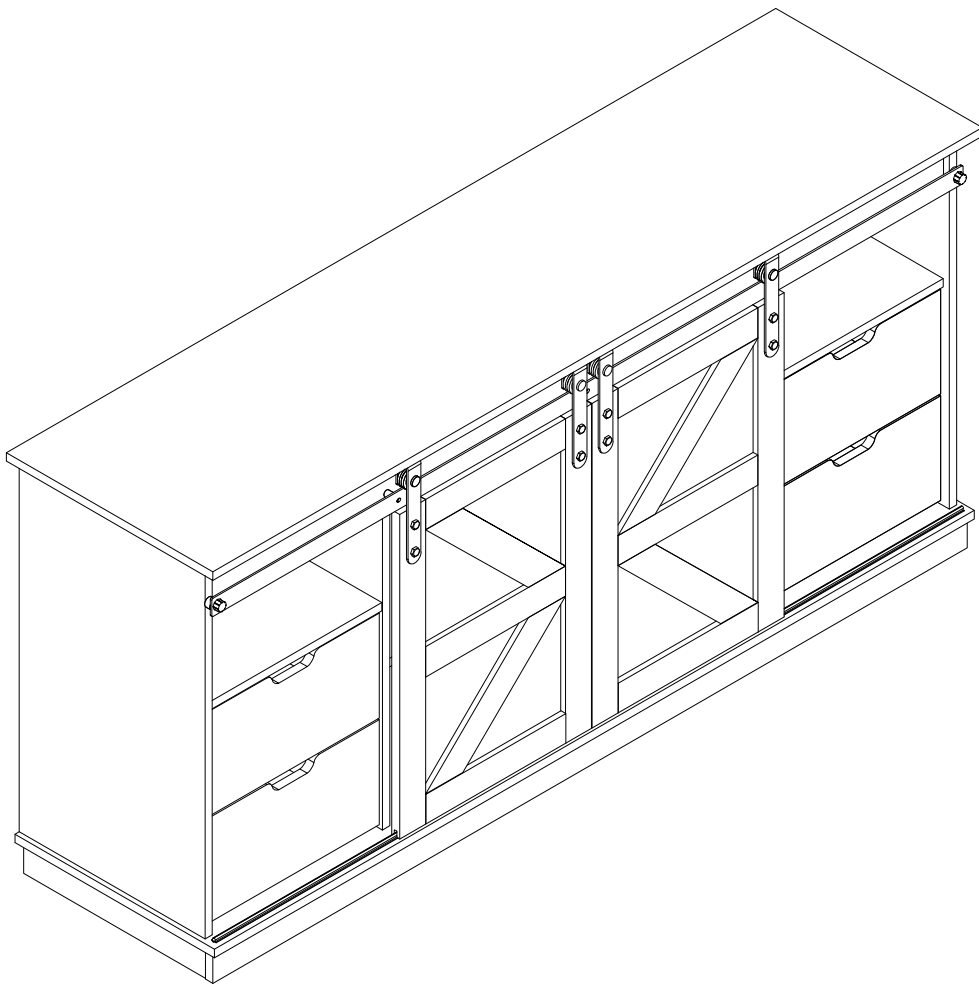
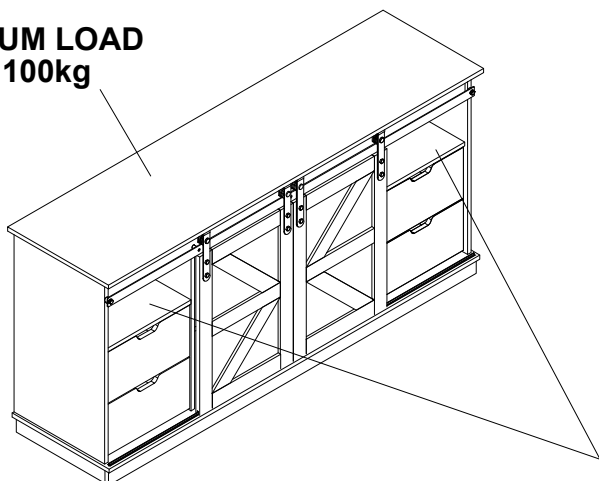
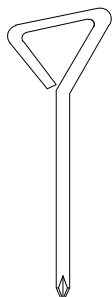


ASSEMBLY INSTRUCTIONS



WARNING !

MAXIMUM LOAD
220 lb/ 100kg

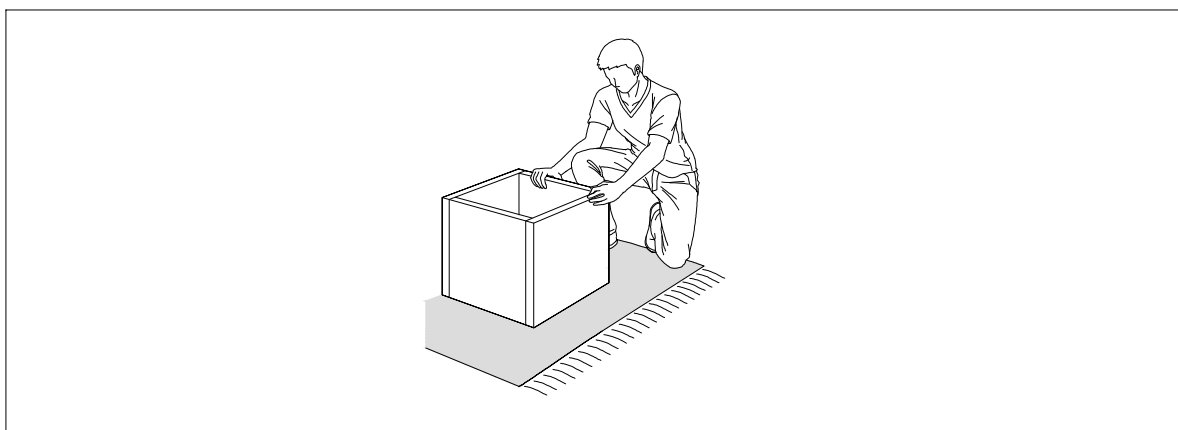


MAXIMUM LOAD
20 lb/ 9.1kg

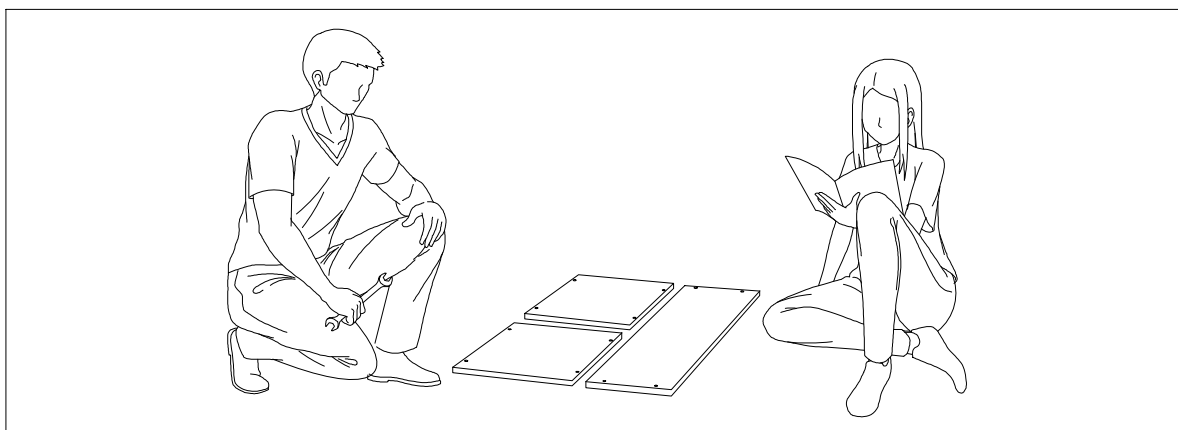


Estimated Time for Assembly

60 mins



Assembly the furniture on empty carton, carpet, or rug to prevent scratches or damage.

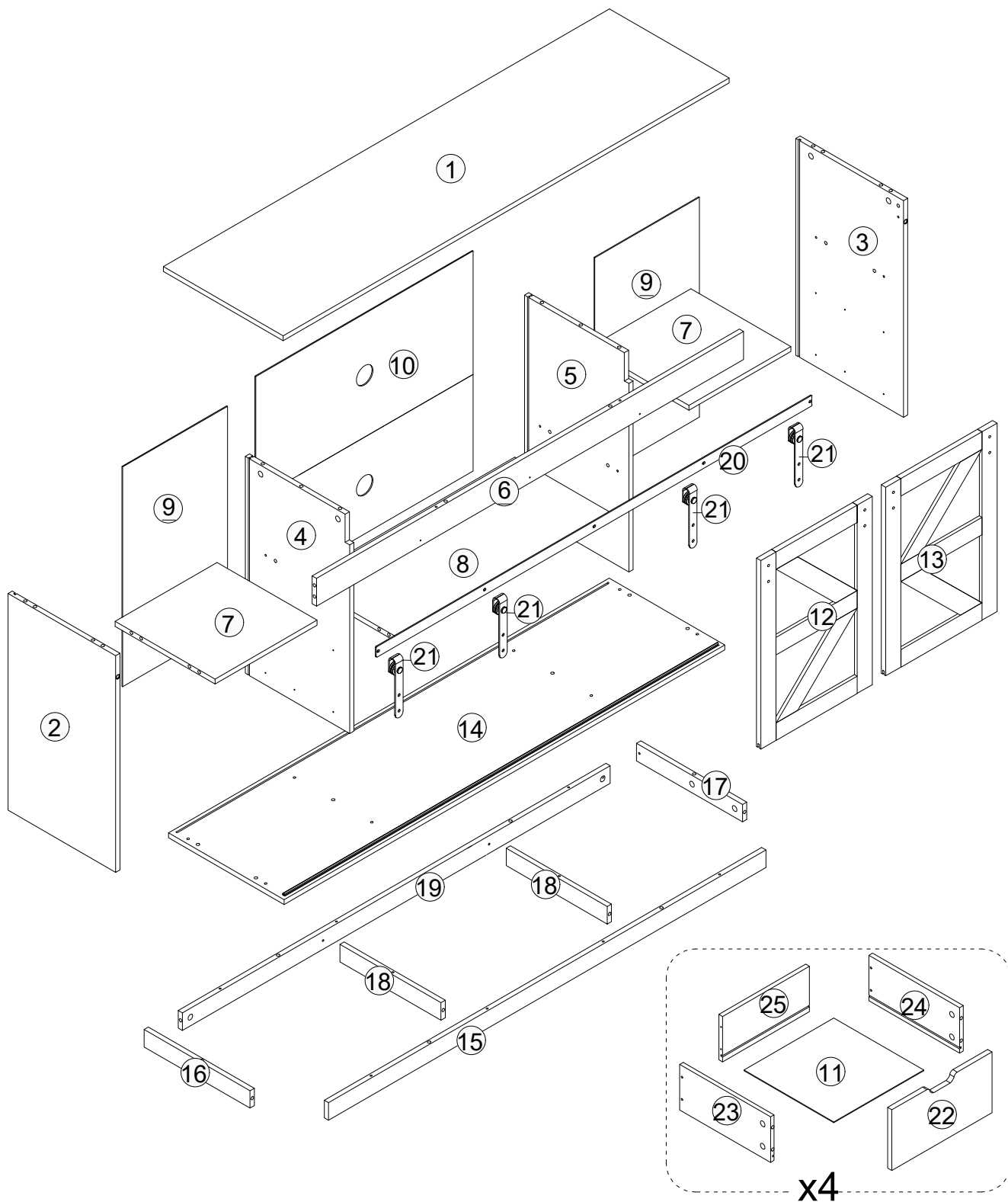


This furniture requires 2 people to assembly.

Make sure no parts are missing or damaged before assembly.

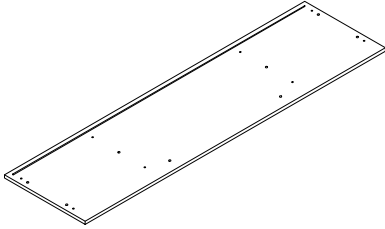
Board Identification

Not actual size

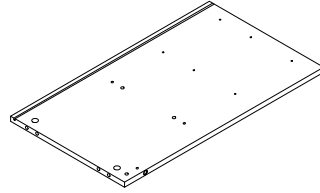


BOARD IDENTIFICATION

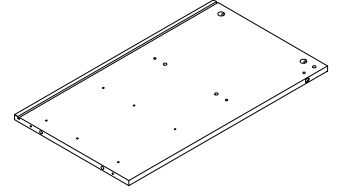
Not actual size



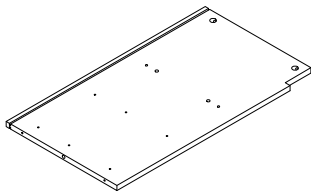
①



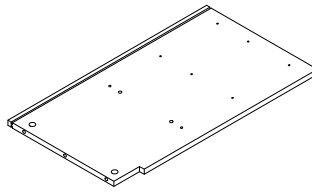
②



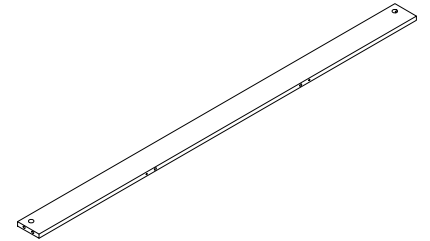
③



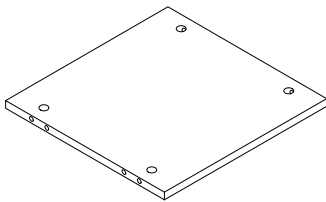
④



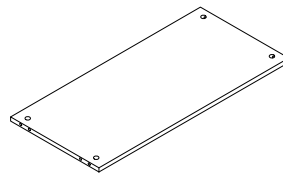
⑤



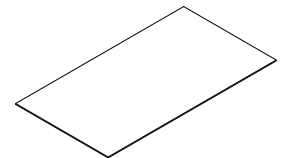
⑥



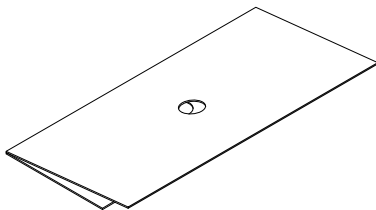
⑦ x2



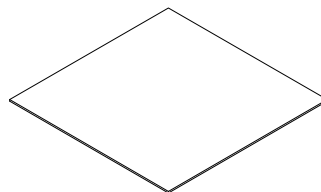
⑧



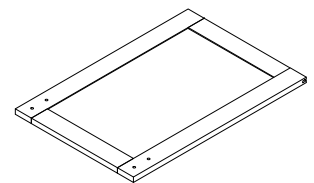
⑨ x2



⑩



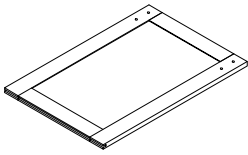
⑪ x4



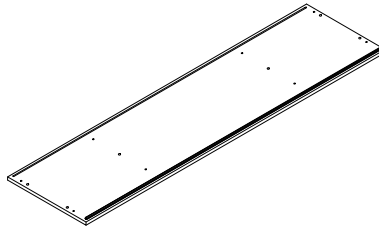
⑫

BOARD IDENTIFICATION

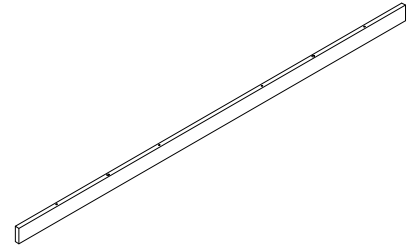
Not actual size



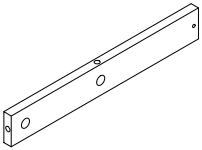
⑬



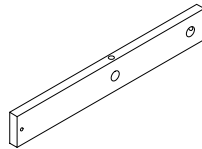
⑭



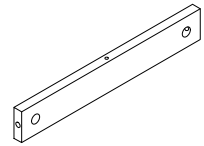
⑮



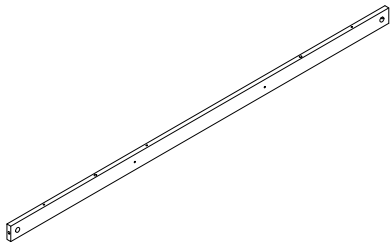
⑯



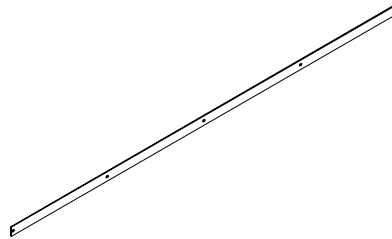
⑰



⑱ x2



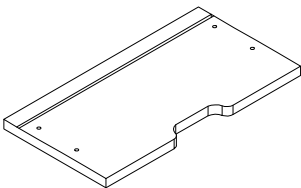
⑲



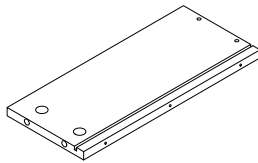
⑳



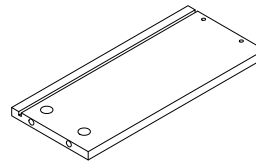
㉑ x4



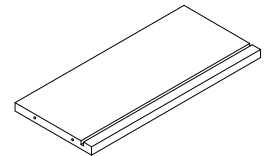
㉒ x4



㉓ x4

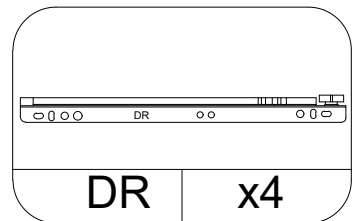
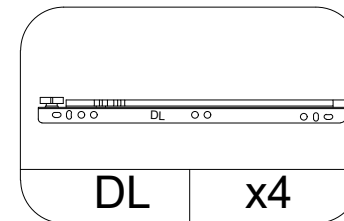
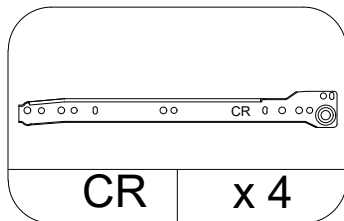
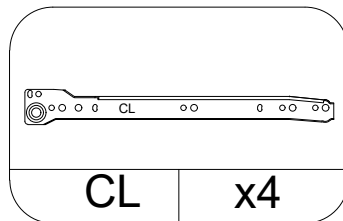
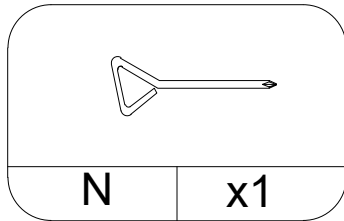
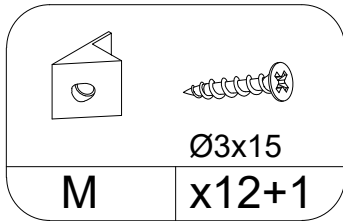
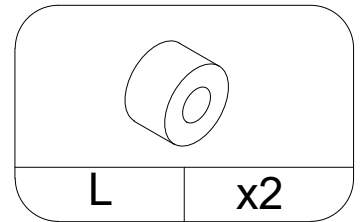
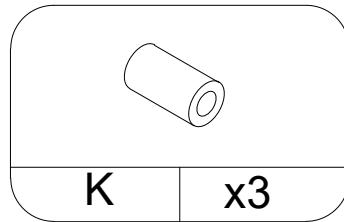
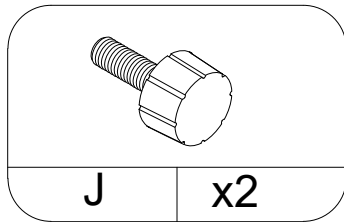
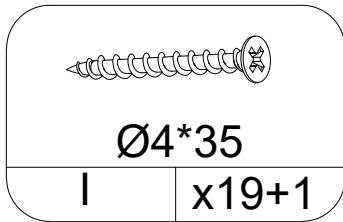
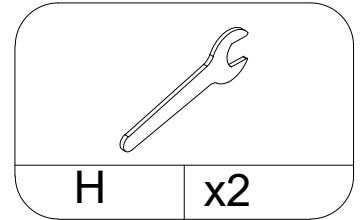
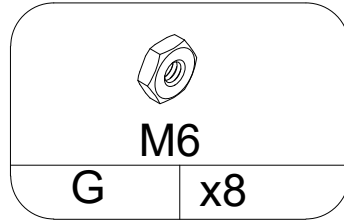
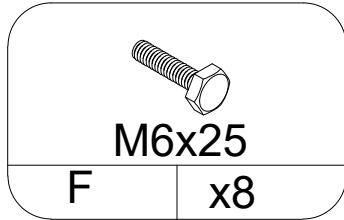
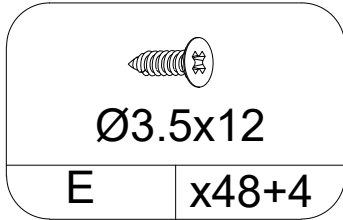
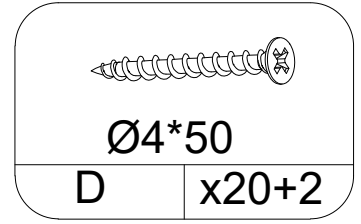
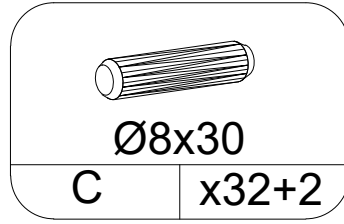
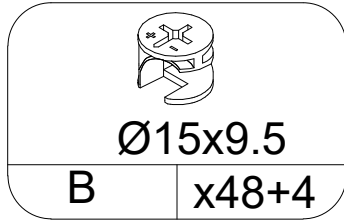
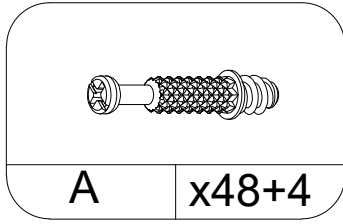


㉔ x4



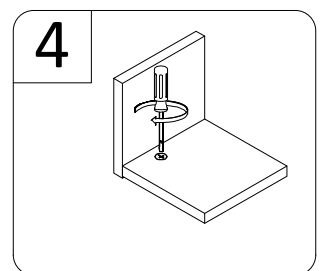
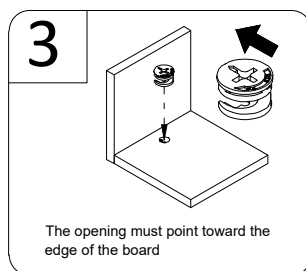
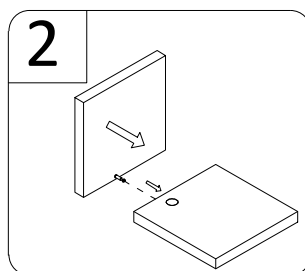
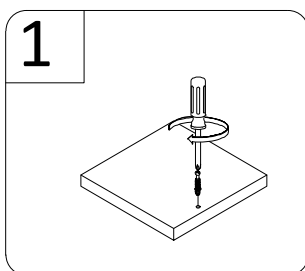
㉕ x4

HARDWARE LIST

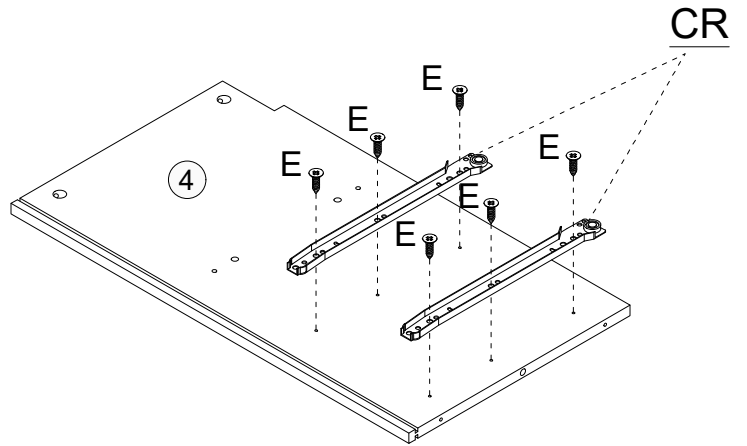
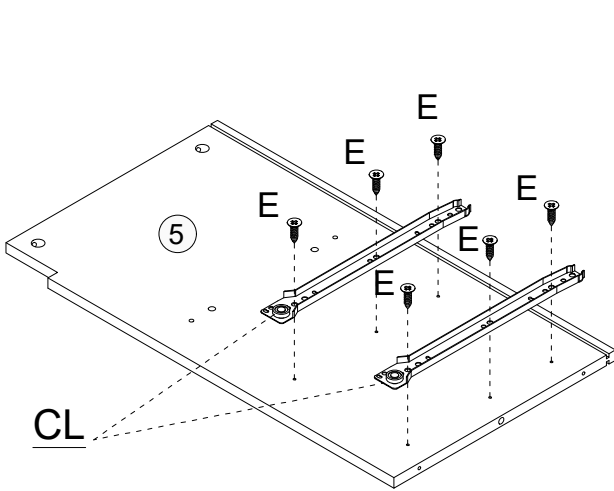
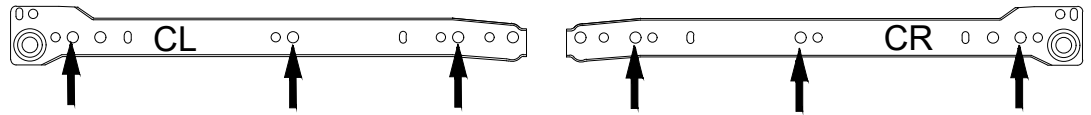



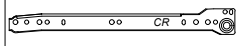

Cam Lock Fastening System

Insert the cam bolt into the hole first, then insert the cam lock and lock it.

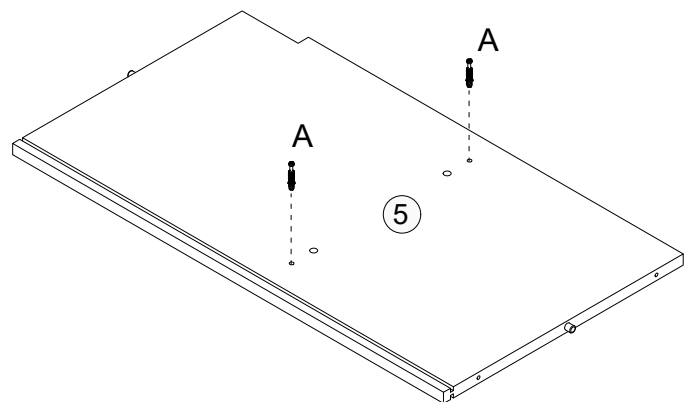
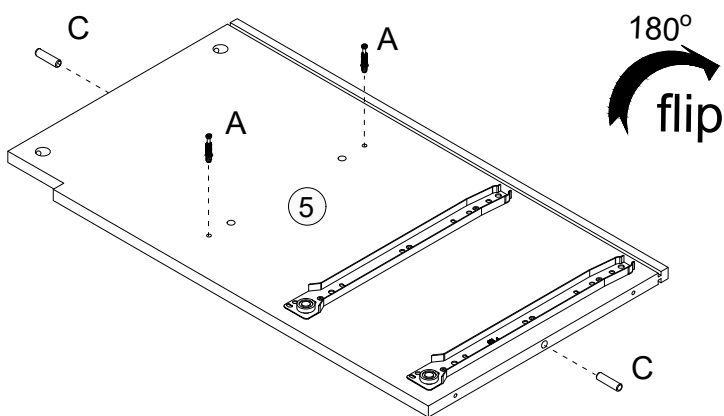
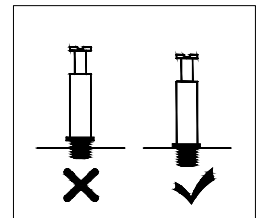


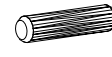
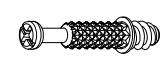
STEP 1



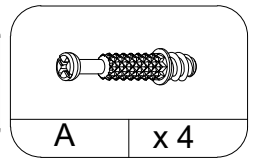
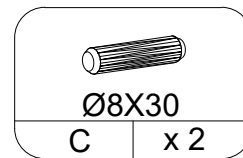
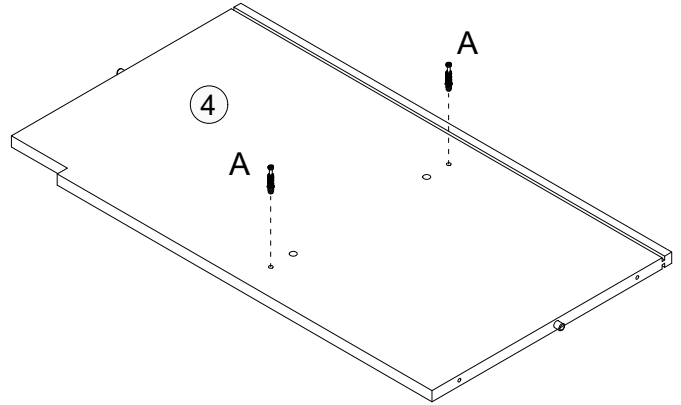
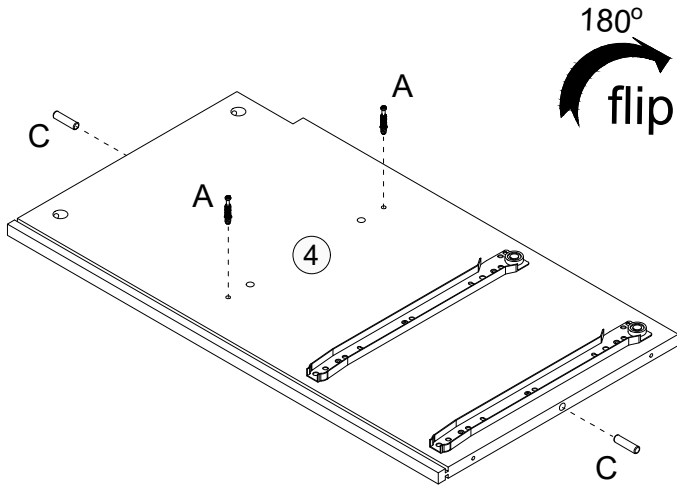
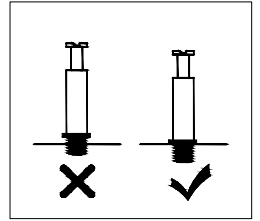
					
Ø3.5x12		CR		CL	
E	x 12	x 2		x 2	

STEP 2

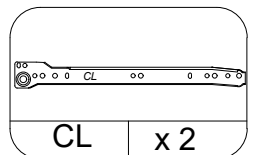
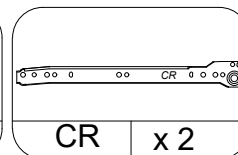
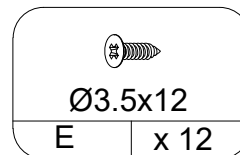
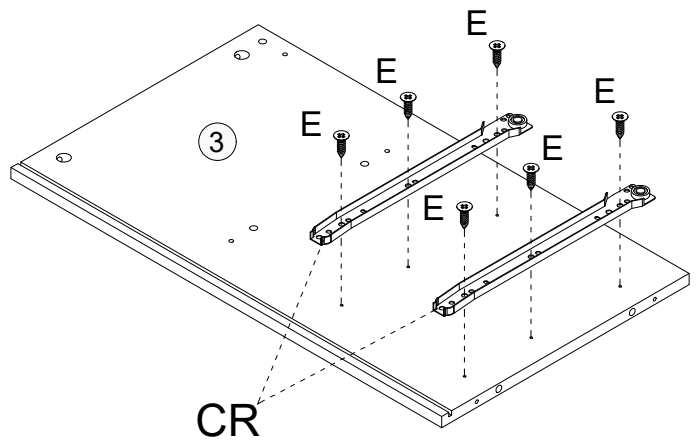
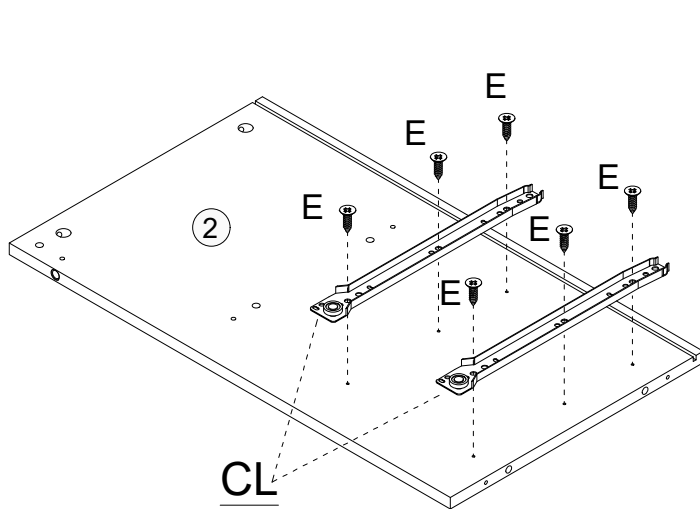
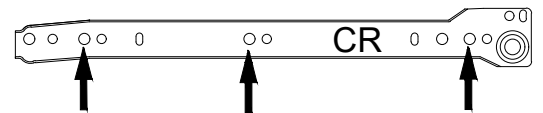
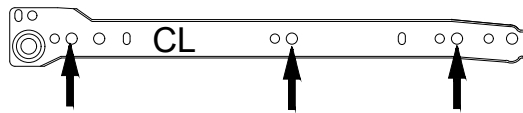


			
Ø8X30		A	
C	x 2	x 4	

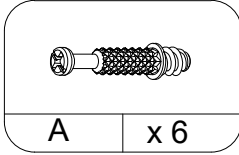
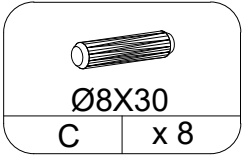
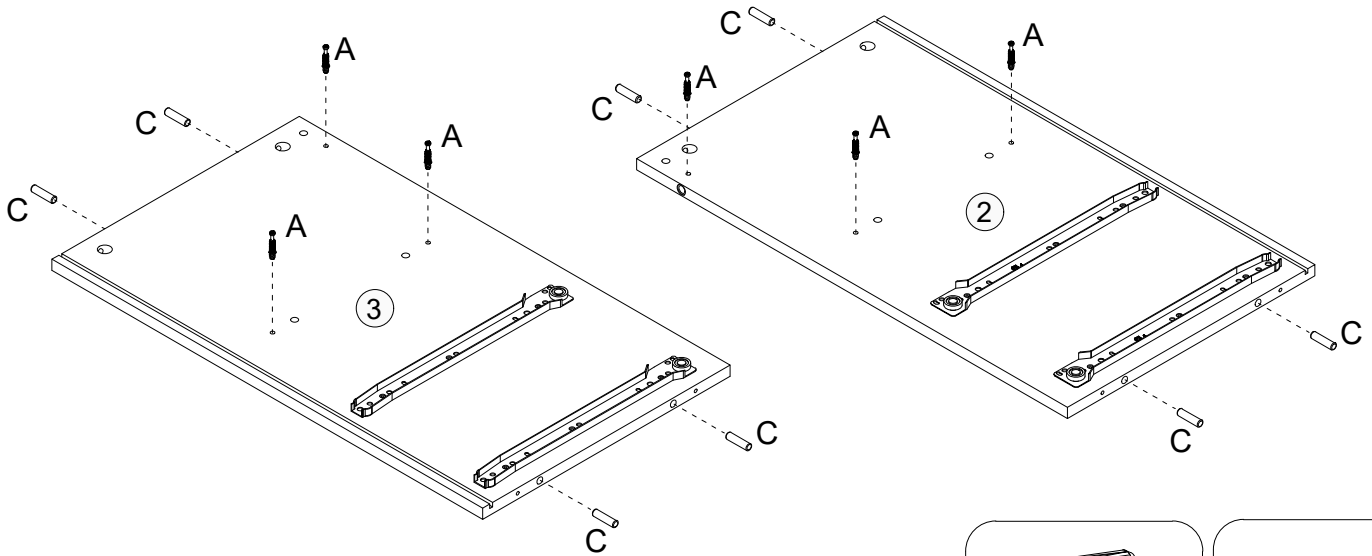
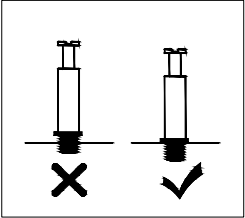
STEP 3



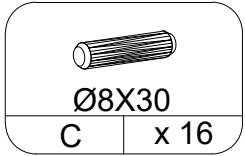
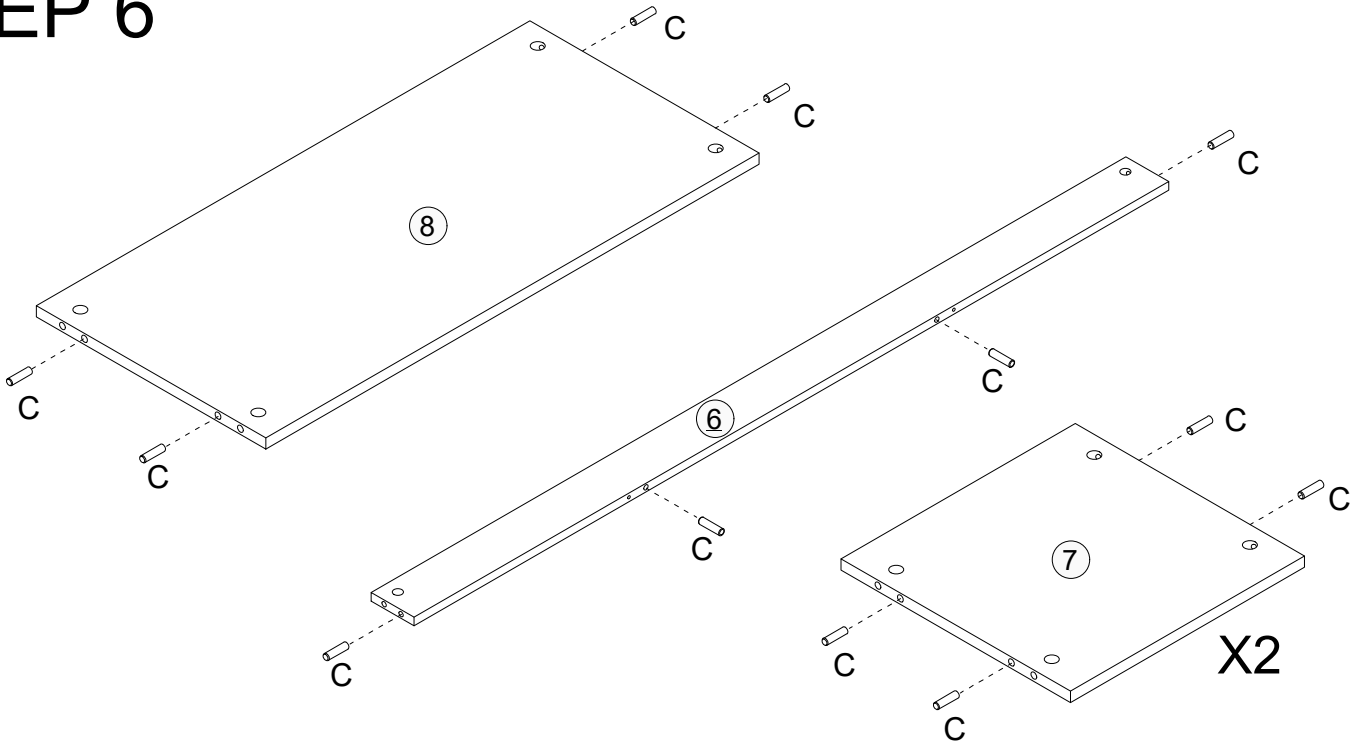
STEP 4



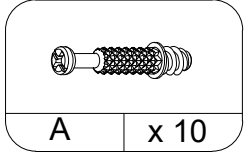
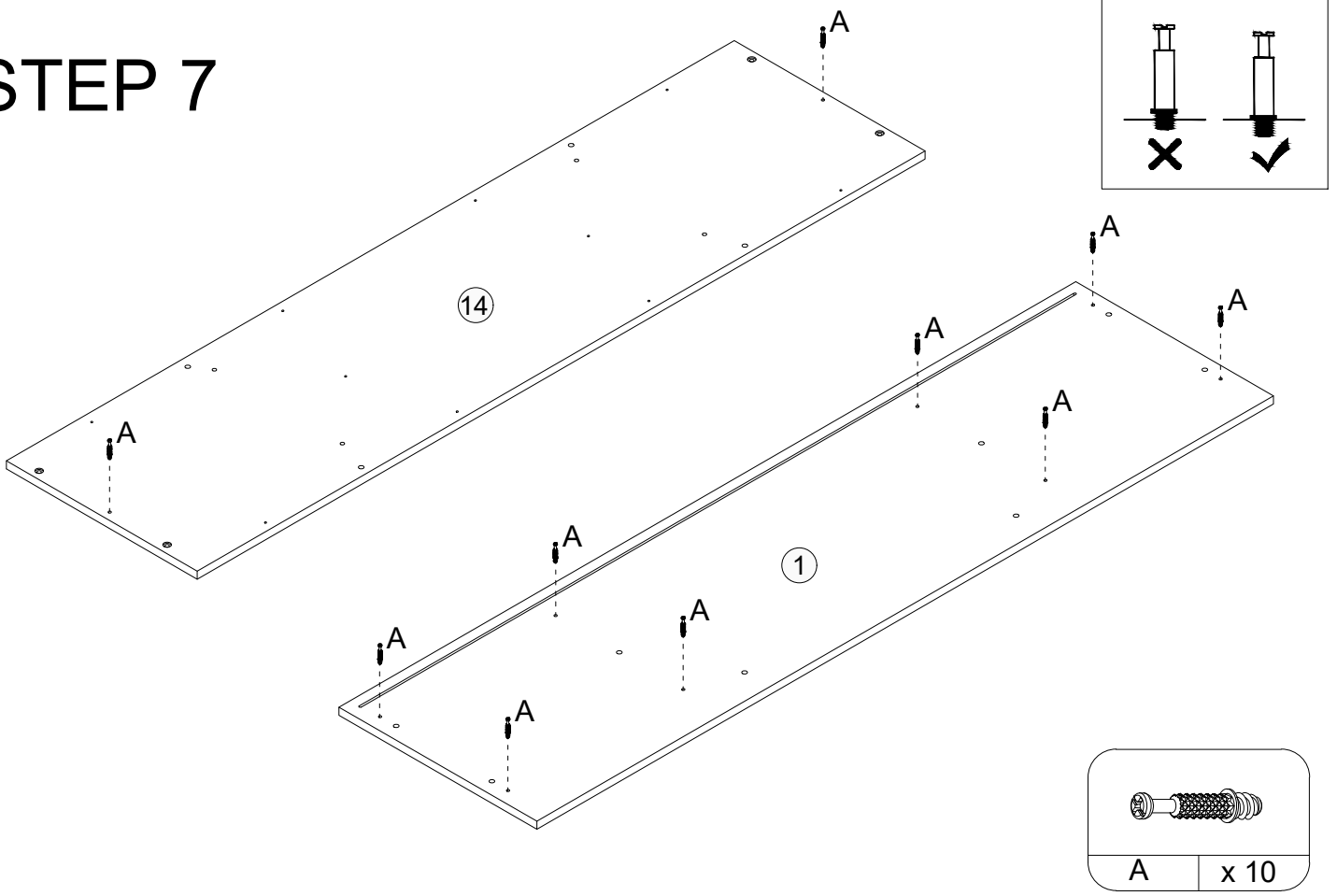
STEP 5



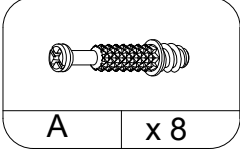
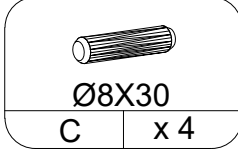
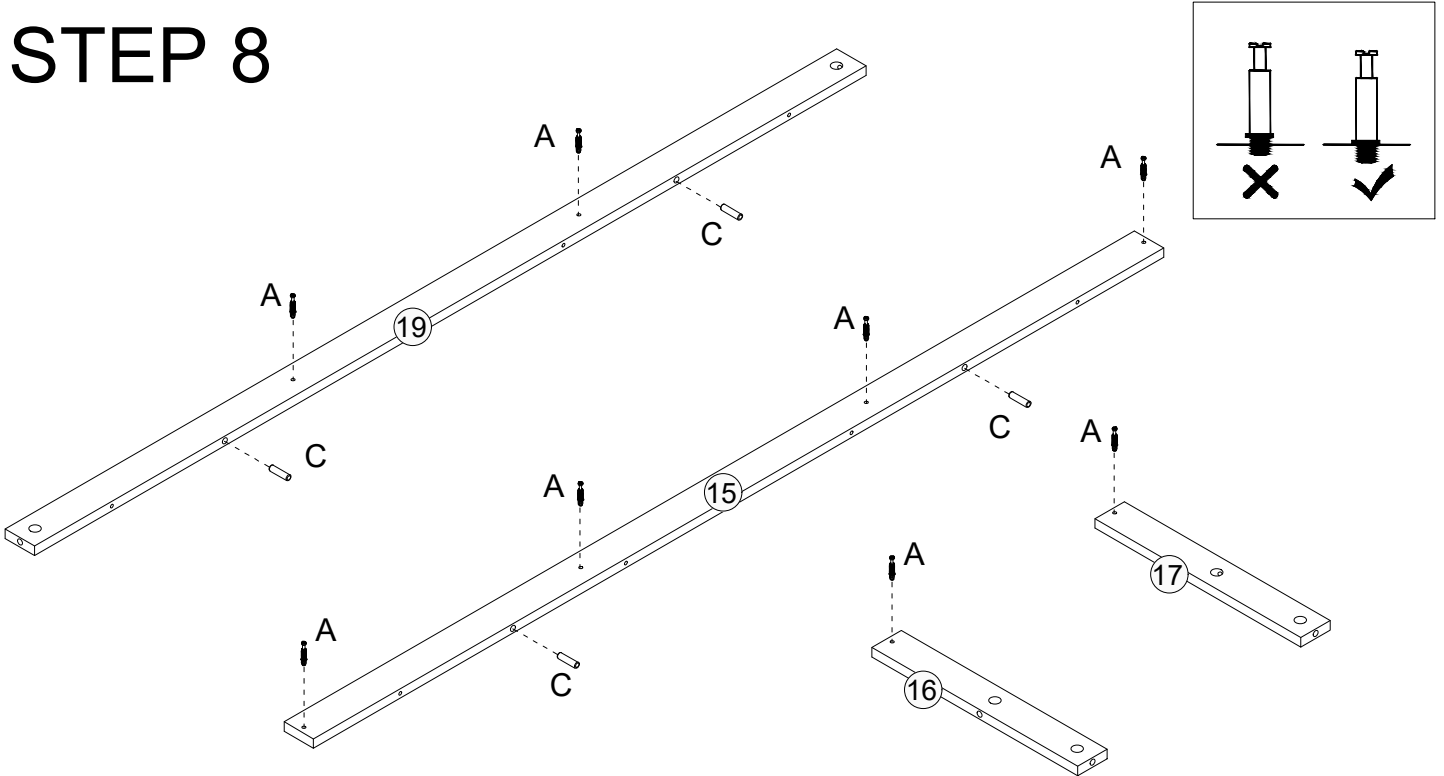
STEP 6



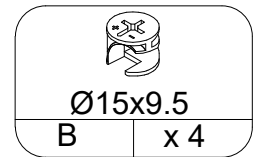
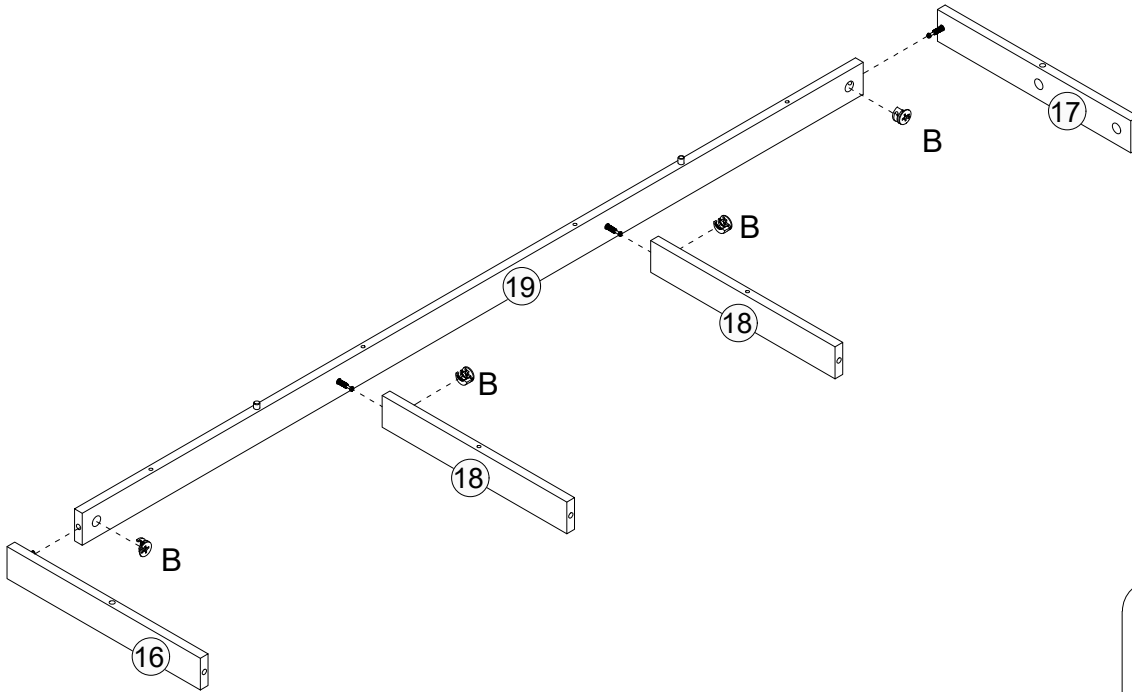
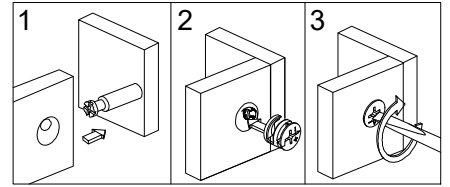
STEP 7



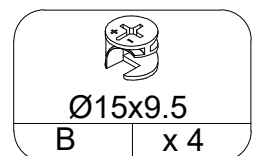
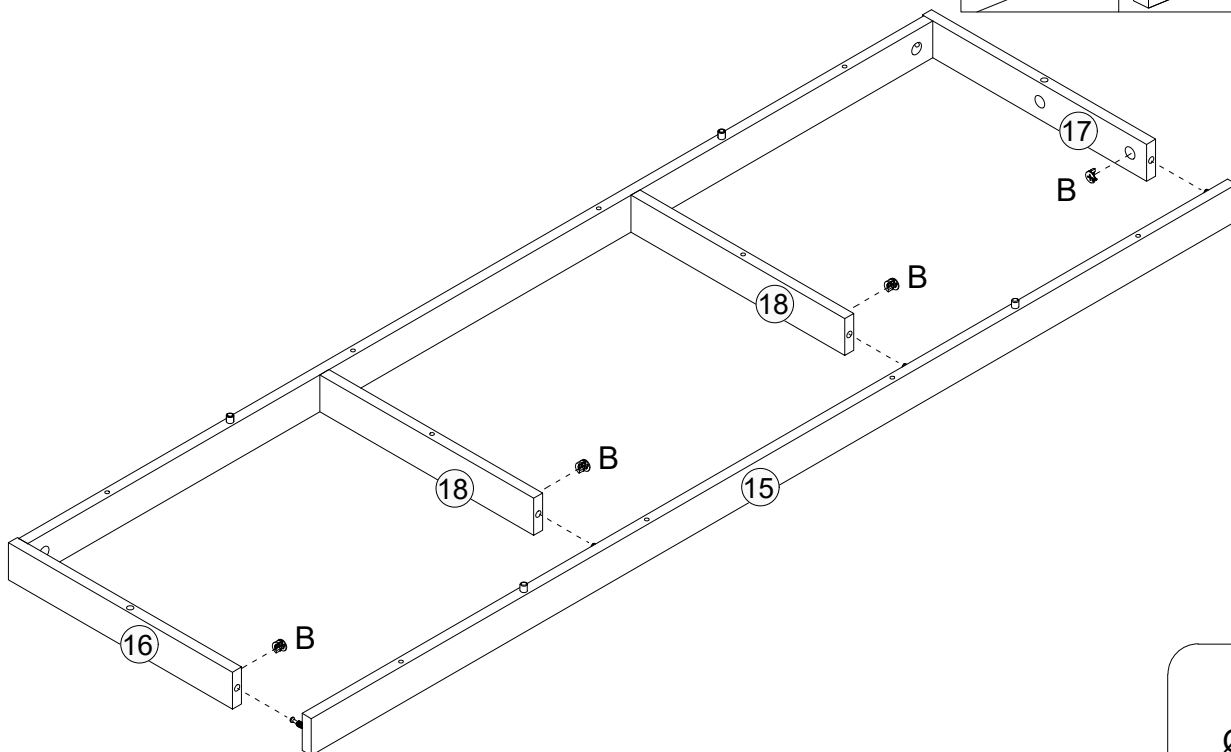
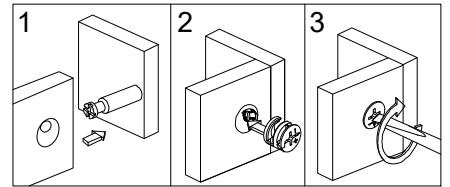
STEP 8



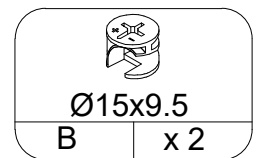
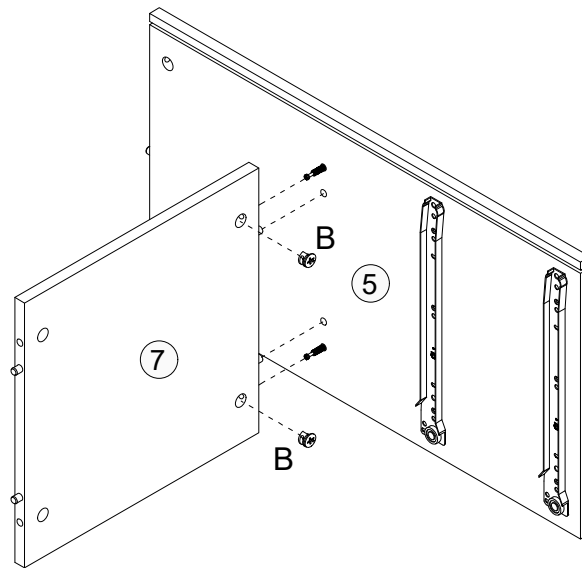
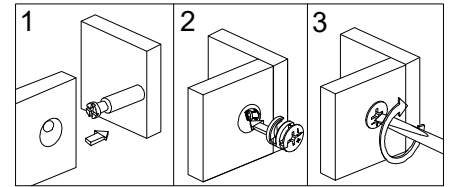
STEP 9



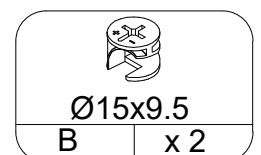
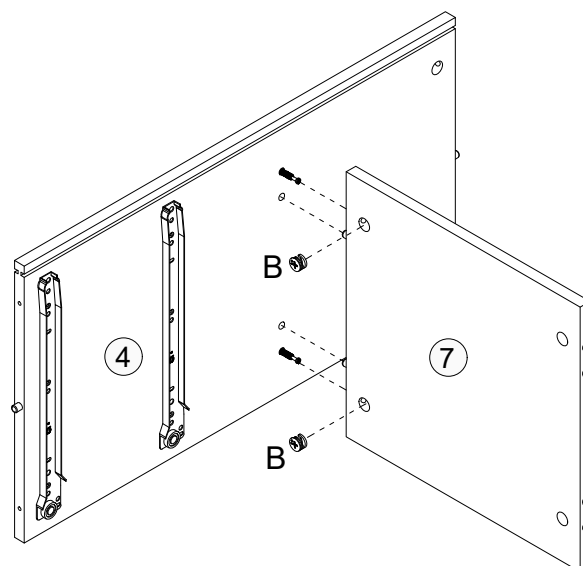
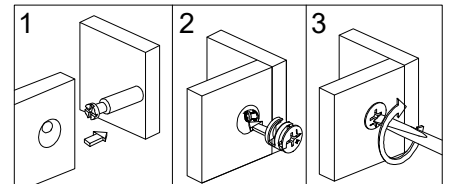
STEP 10



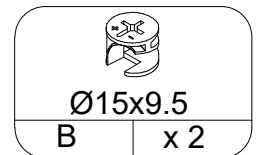
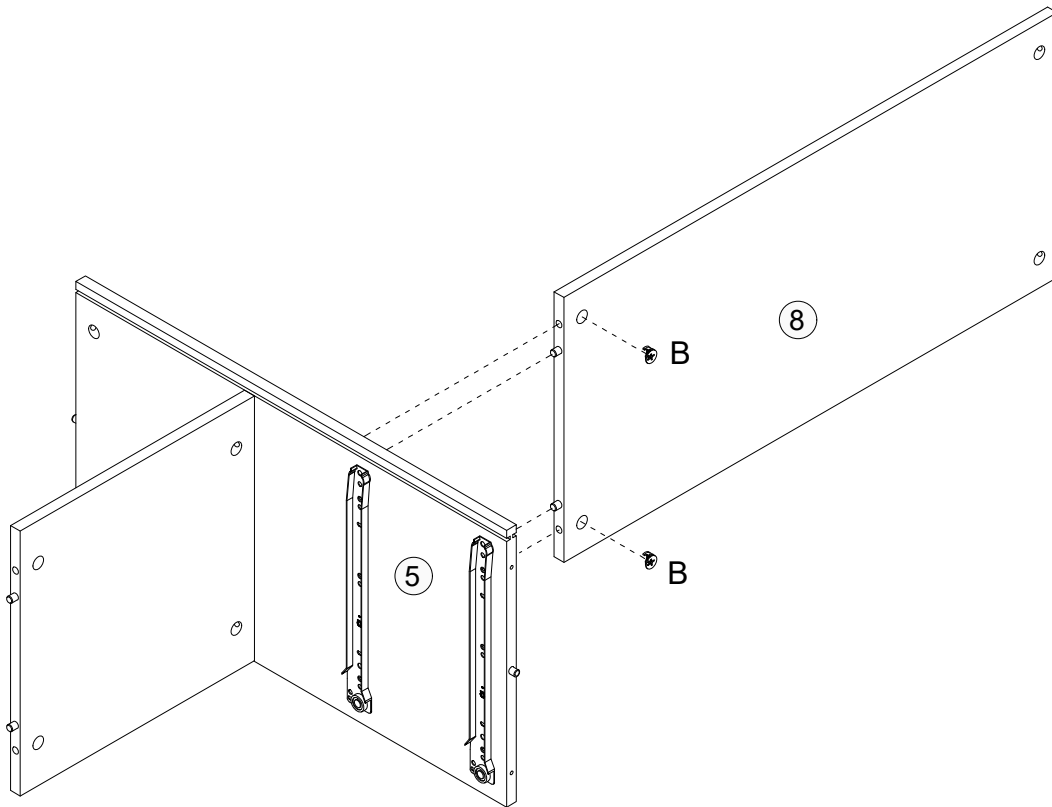
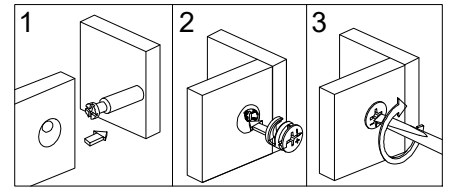
STEP 11



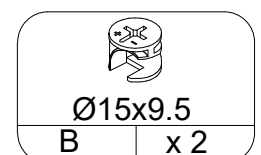
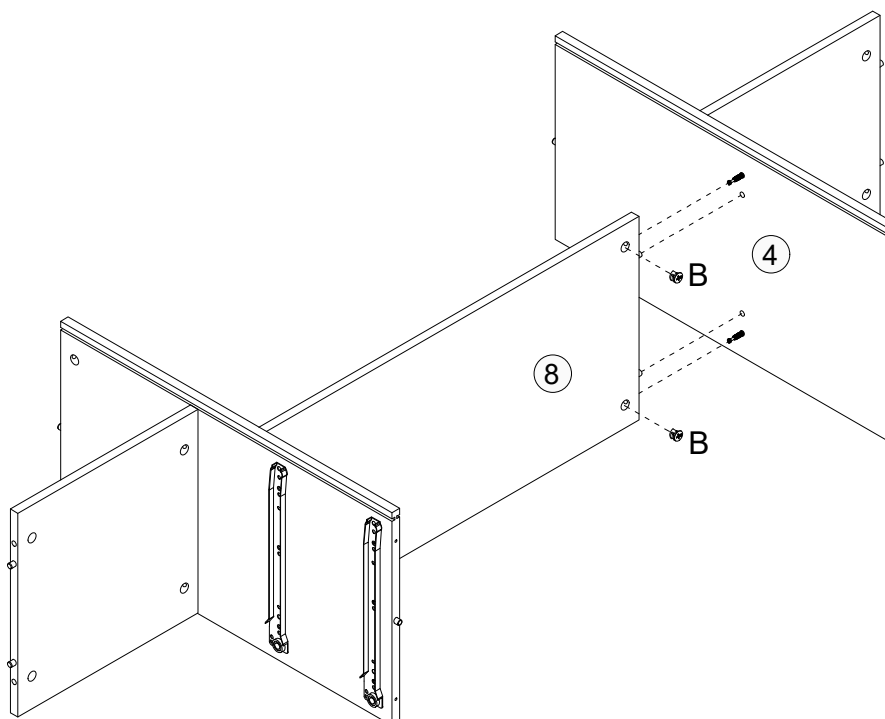
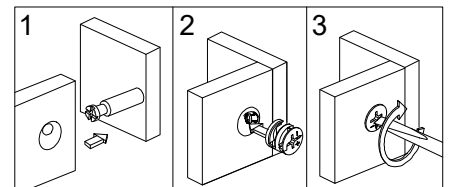
STEP 12



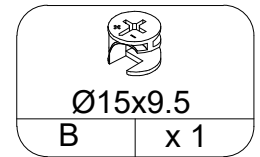
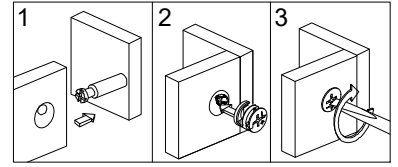
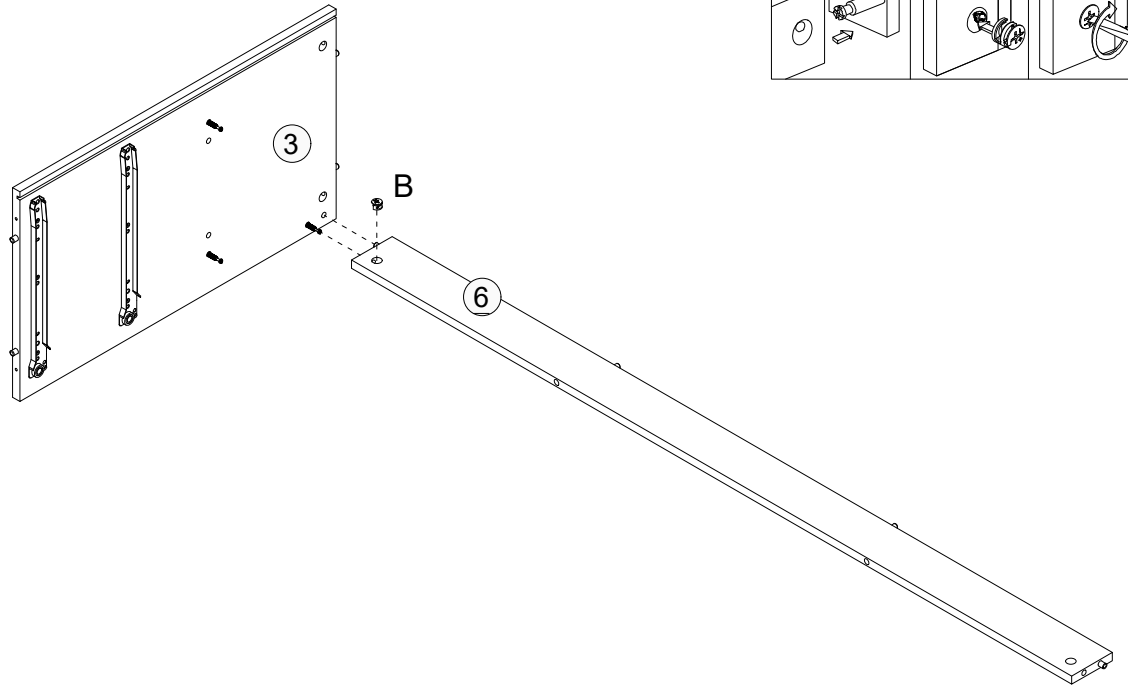
STEP 13



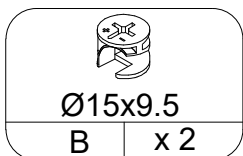
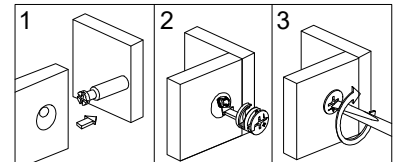
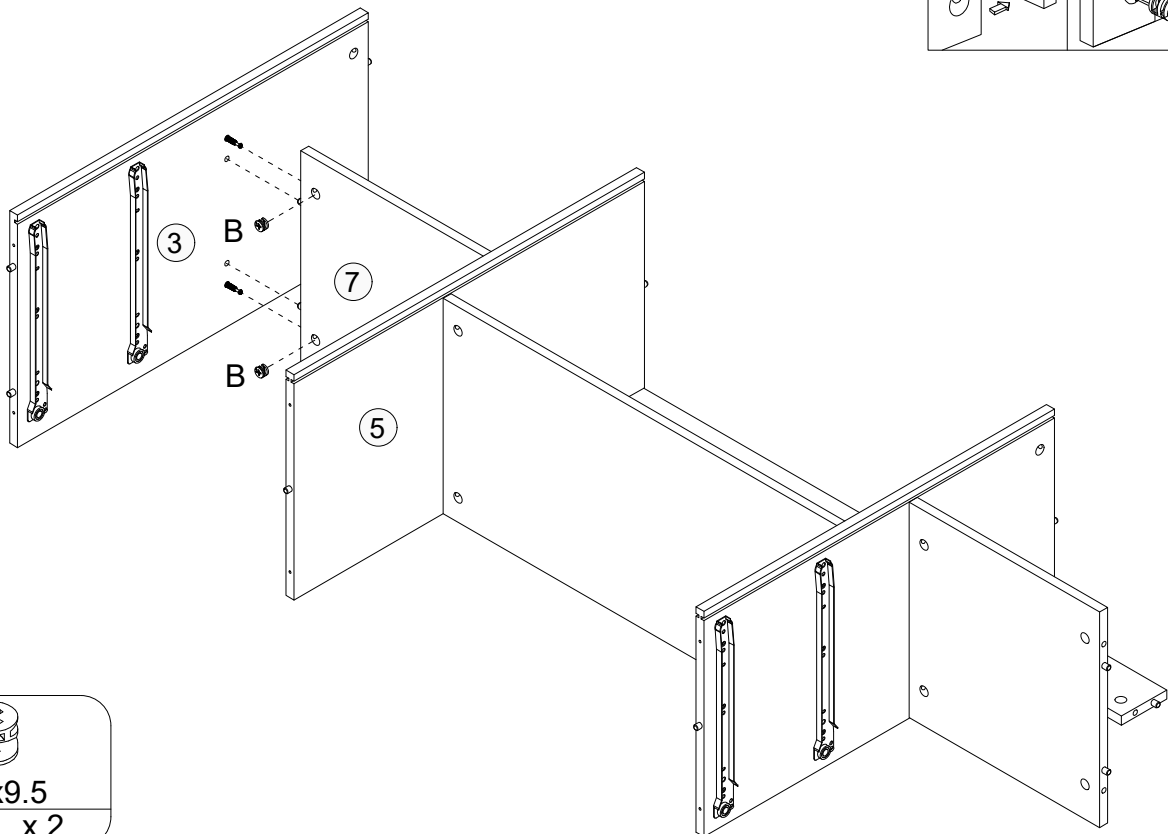
STEP 14



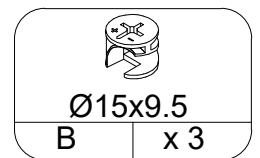
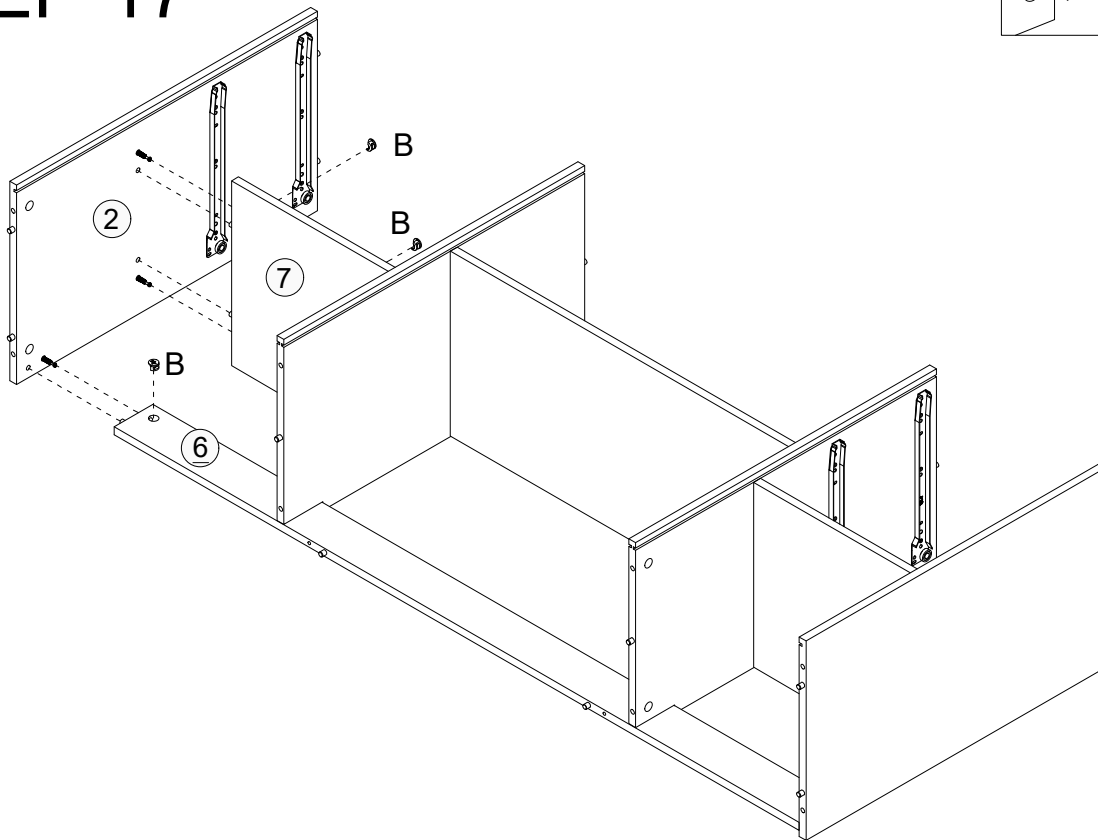
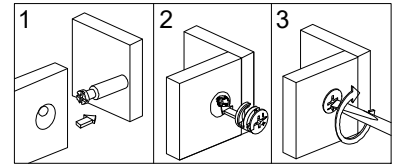
STEP 15



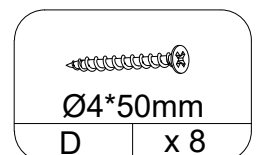
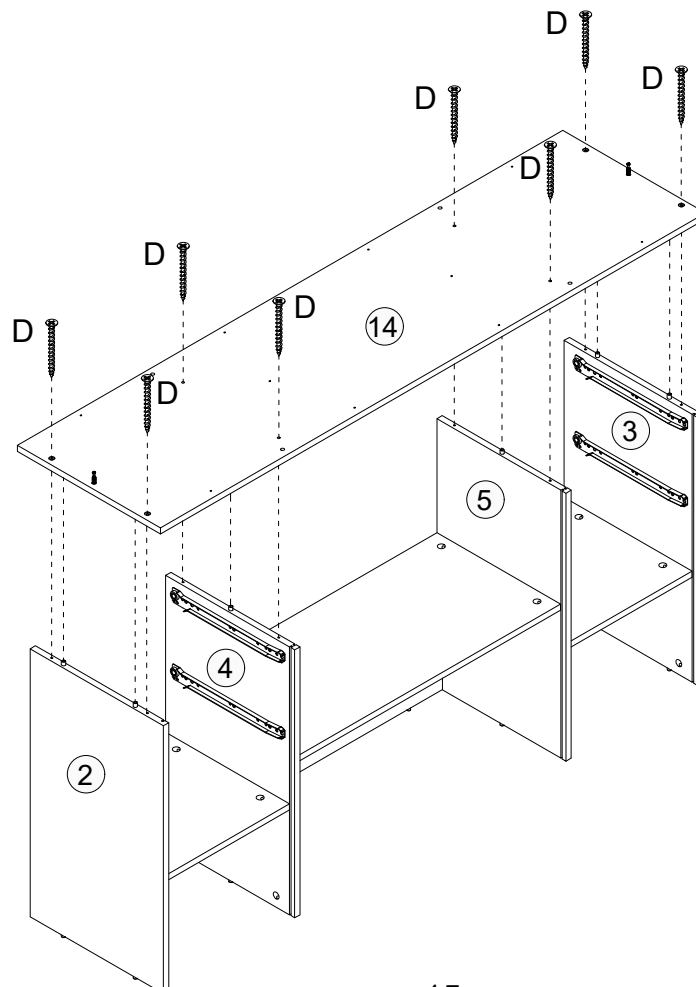
STEP 16



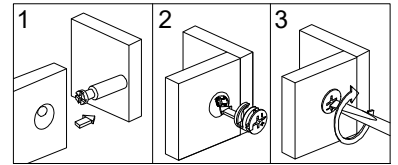
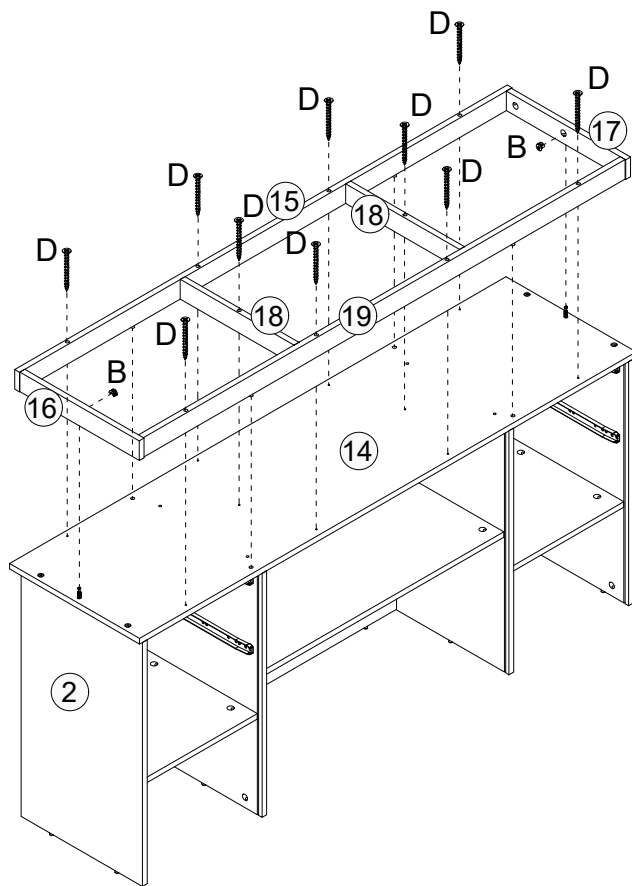
STEP 17



STEP 18

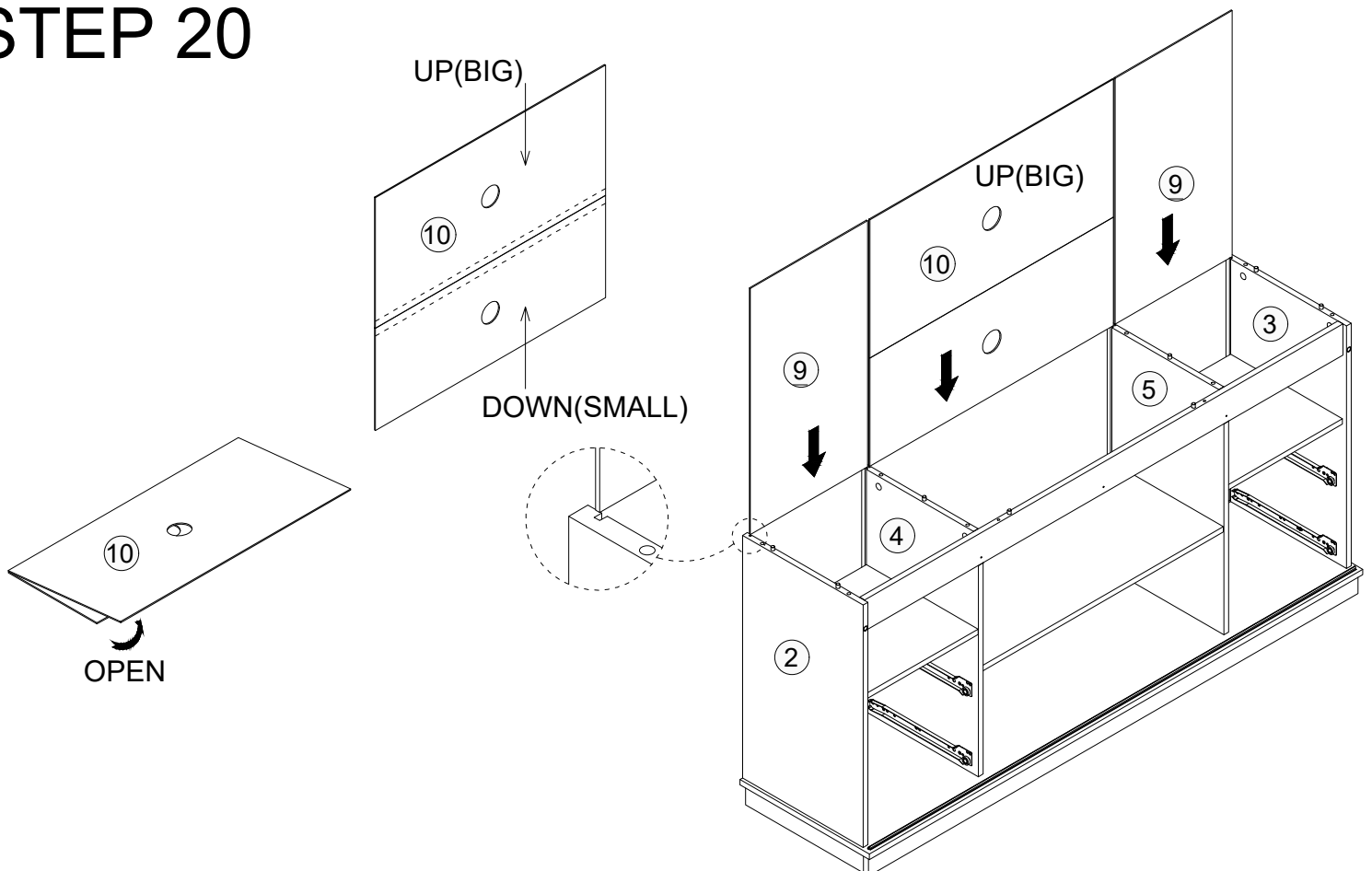


STEP 19

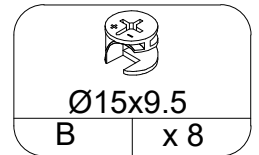
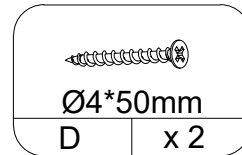
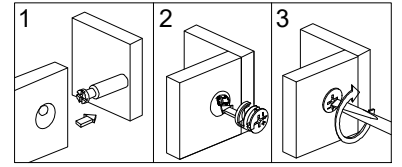
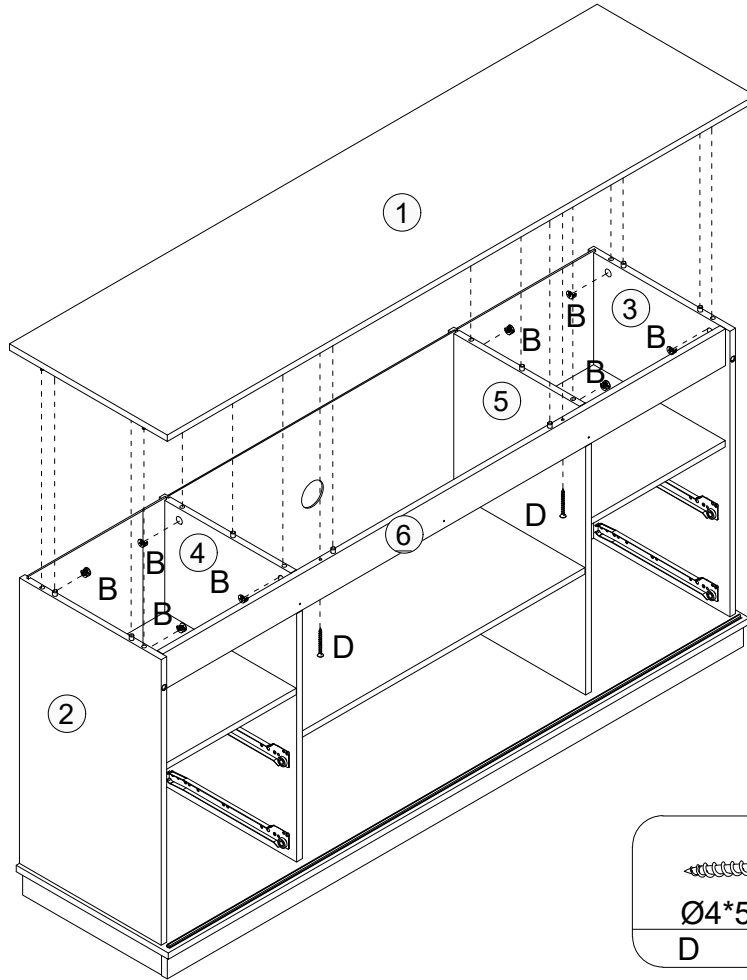


Ø4*50mm		Ø15x9.5	
D	x 10	B	x 2

STEP 20

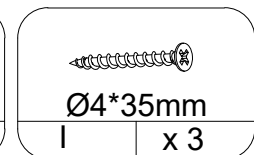
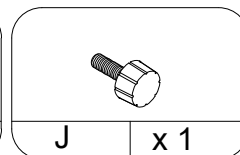
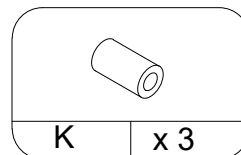
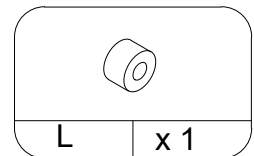
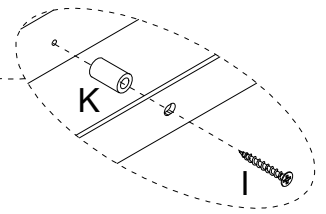
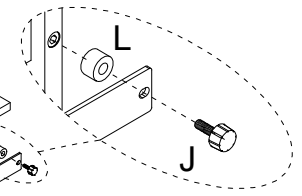
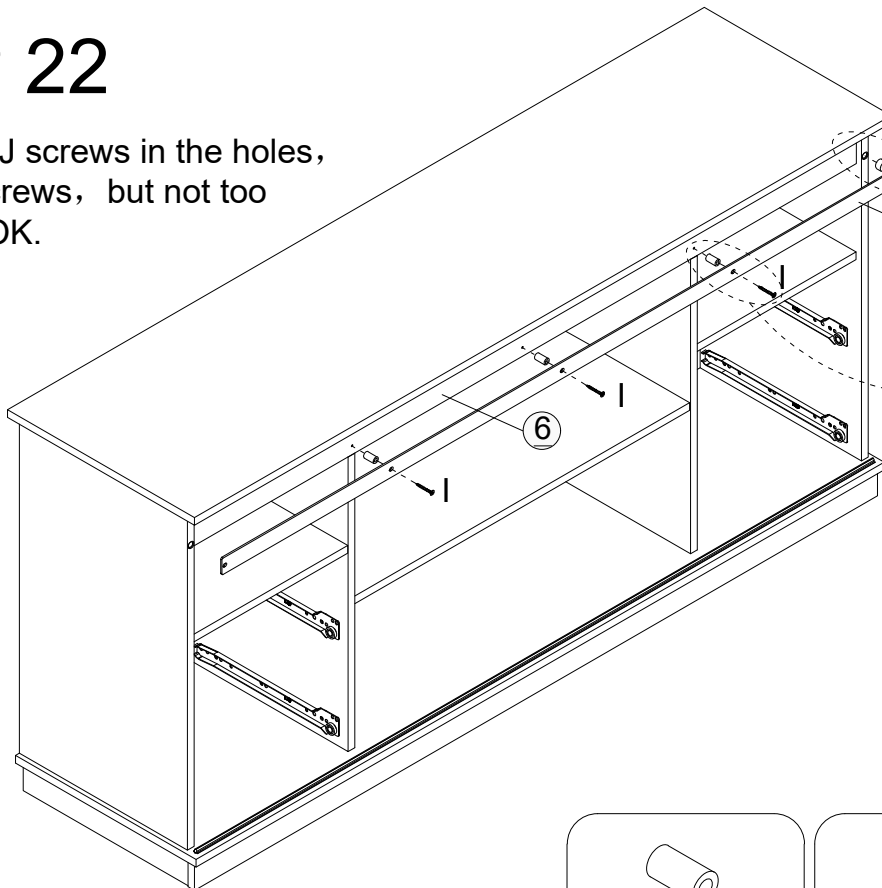


STEP 21

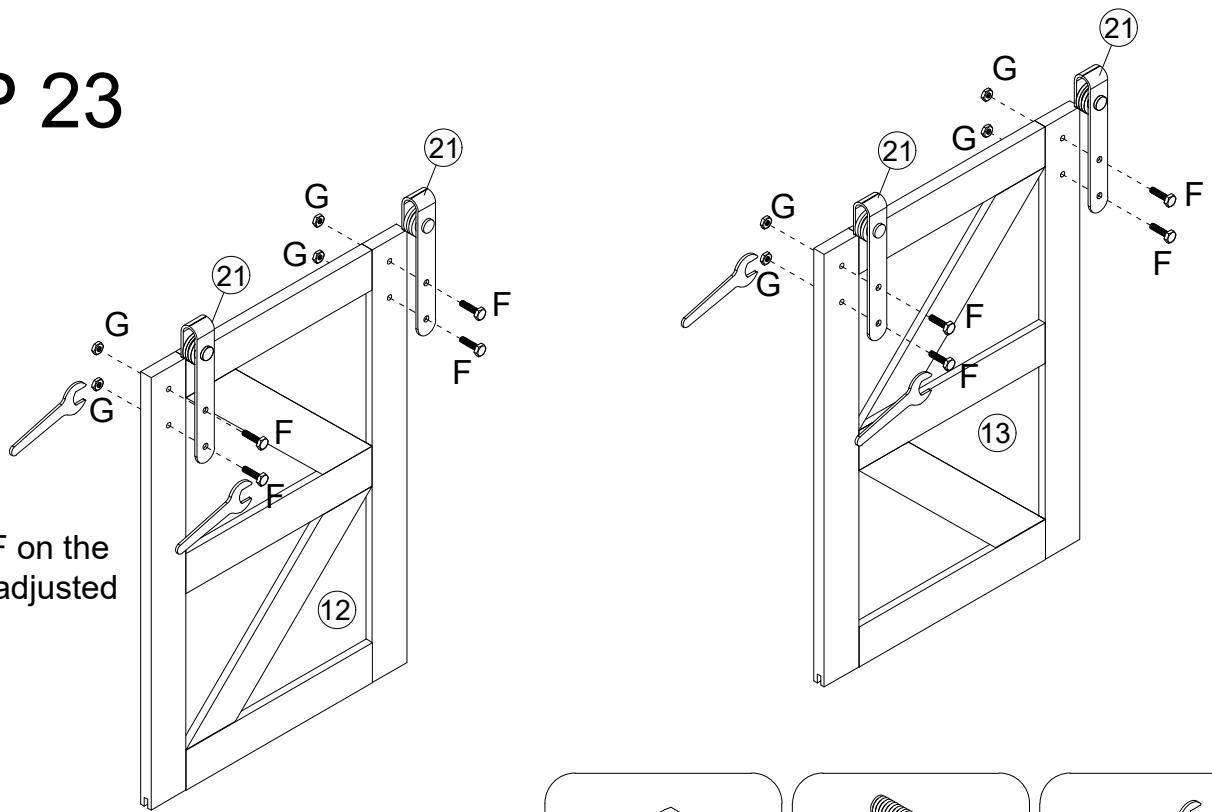


STEP 22

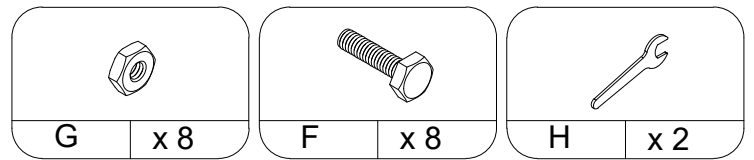
Put the I and J screws in the holes, tighten the screws, but not too tight. 70% is OK.



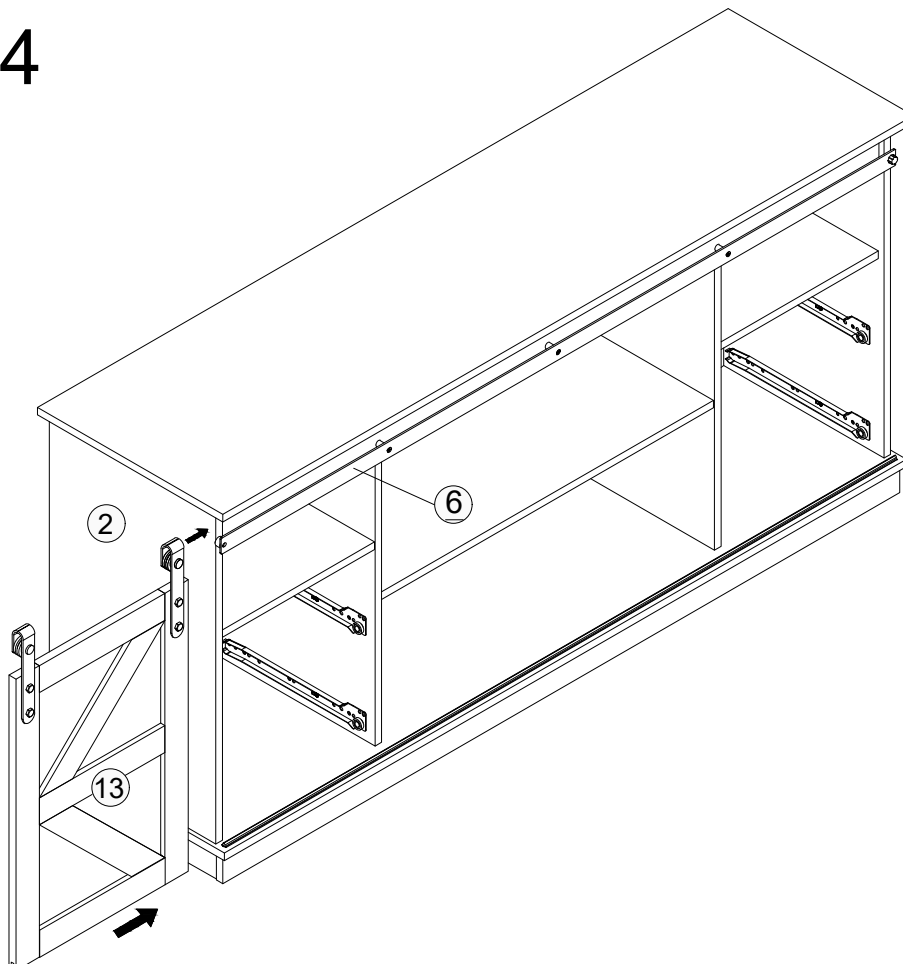
STEP 23



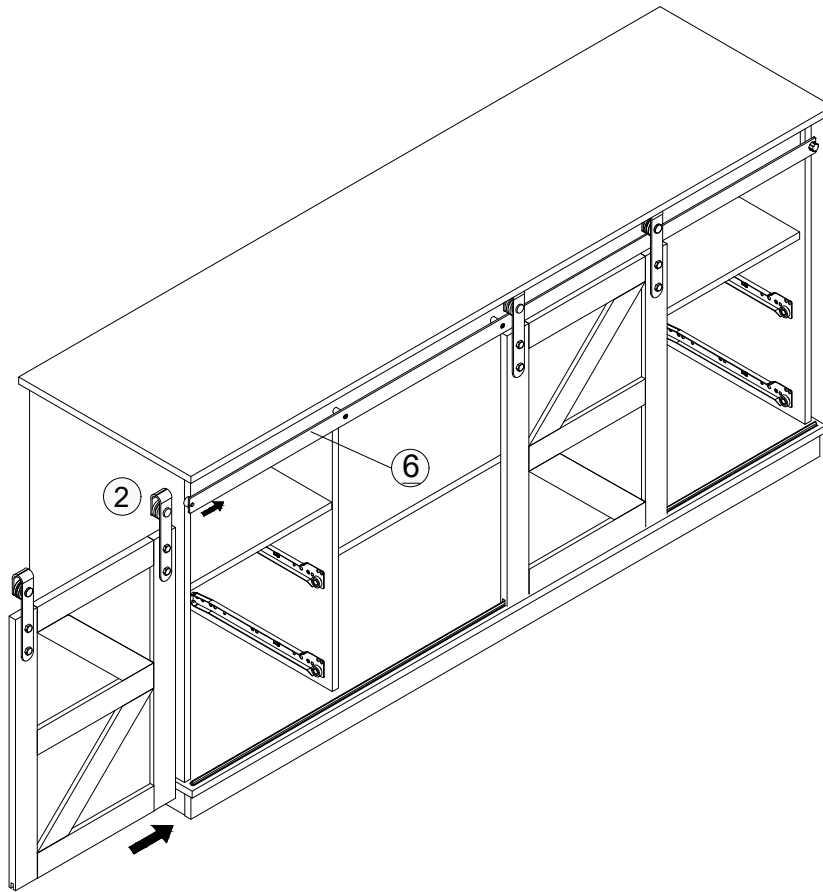
The screws F on the door can be adjusted up and down



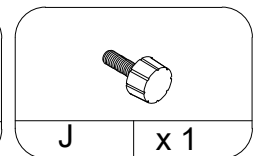
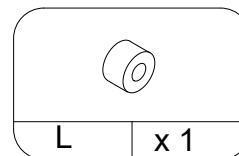
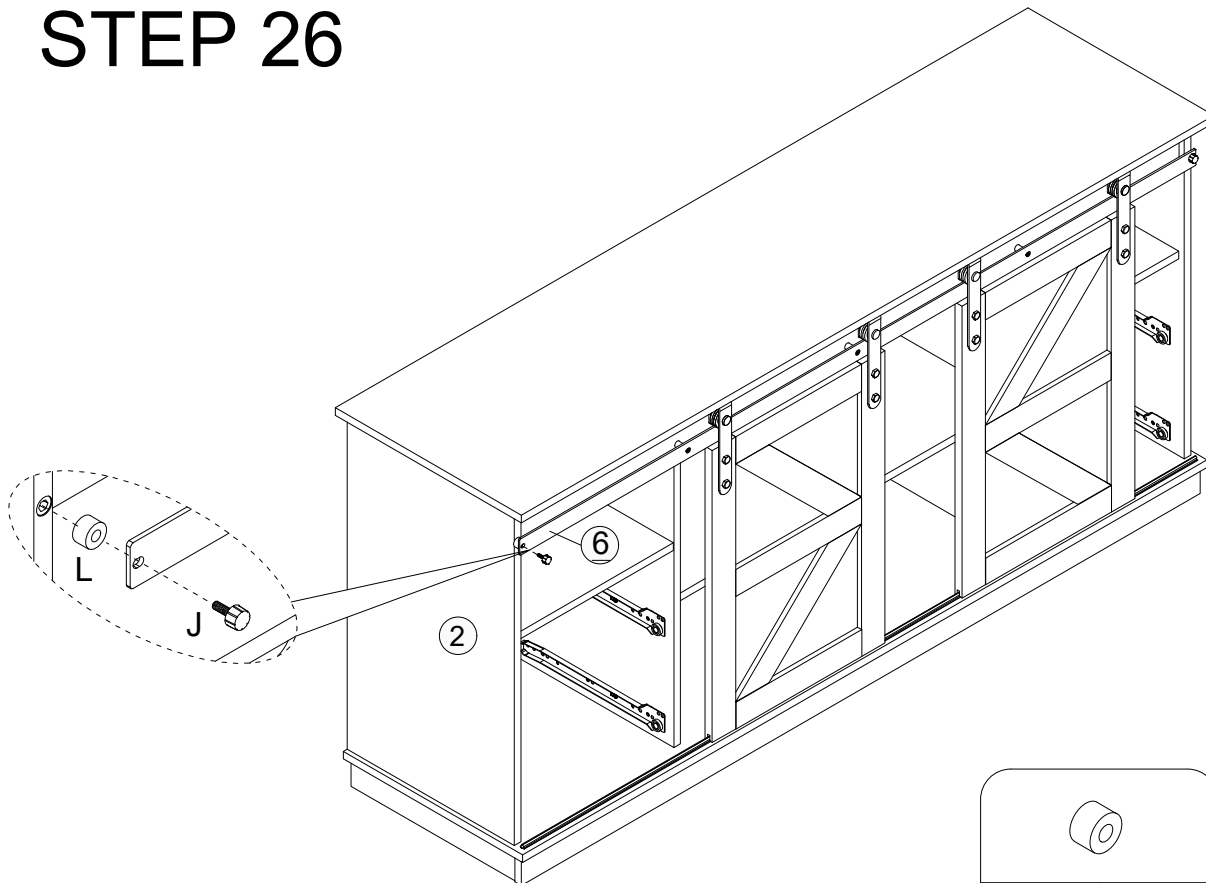
STEP 24



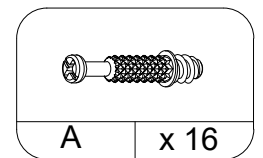
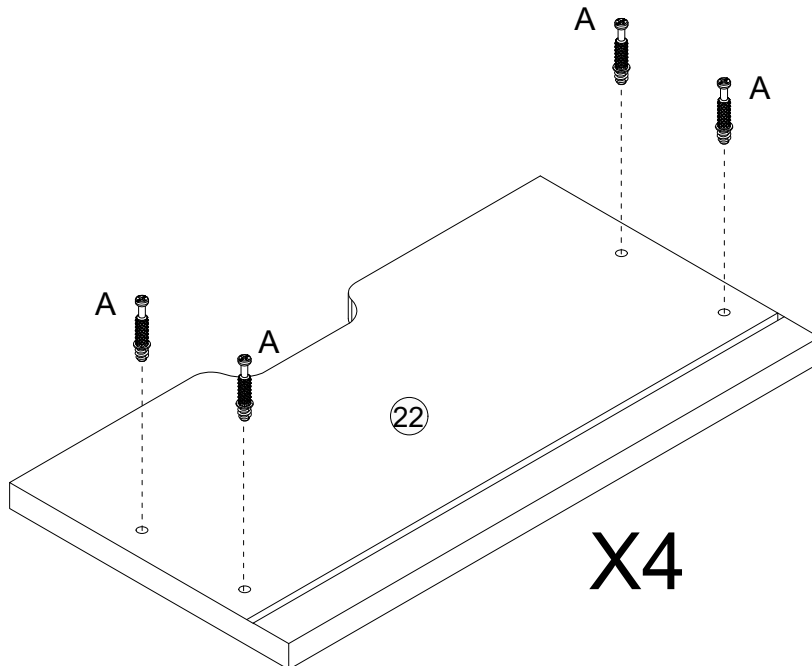
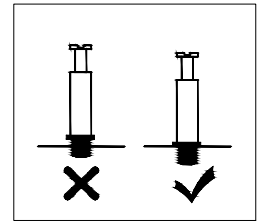
STEP 25



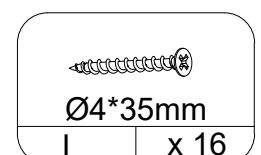
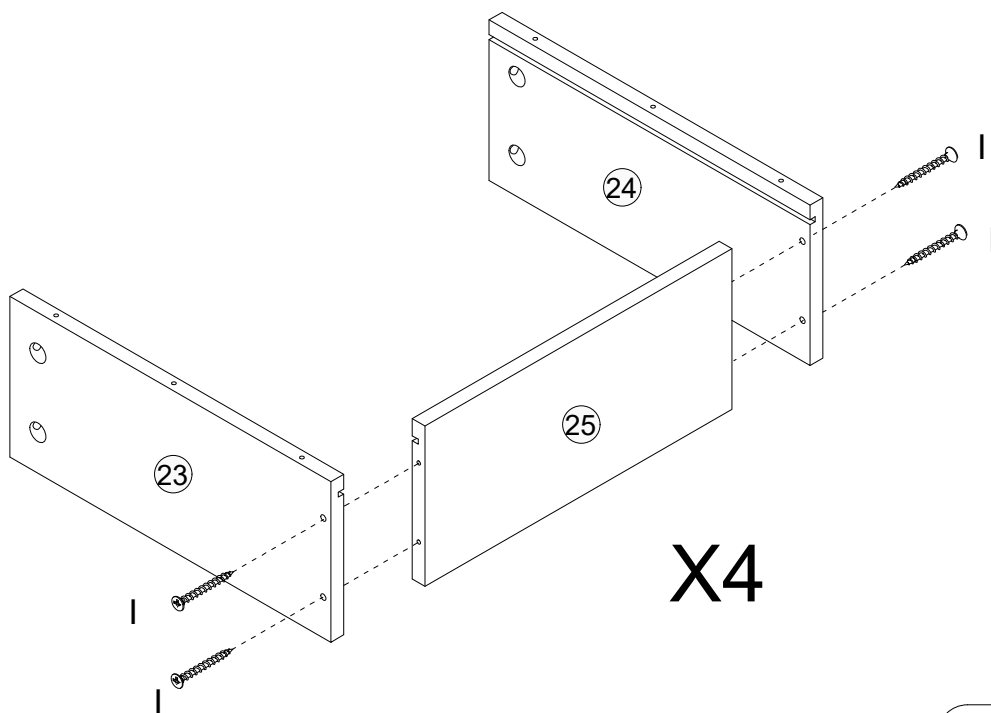
STEP 26



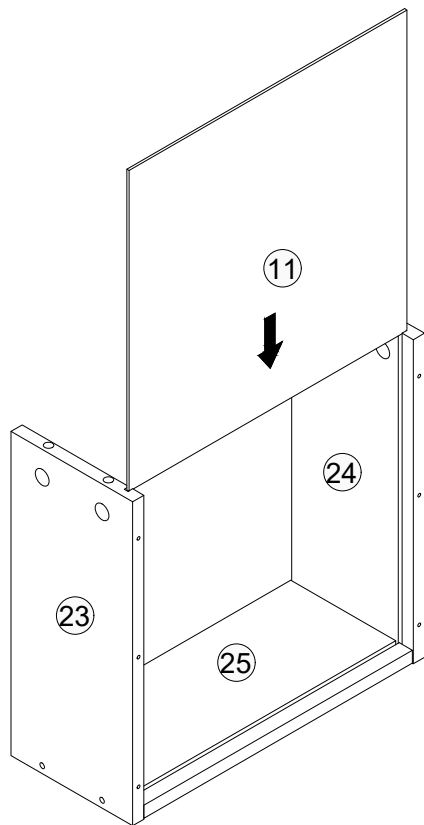
STEP 27



STEP 28

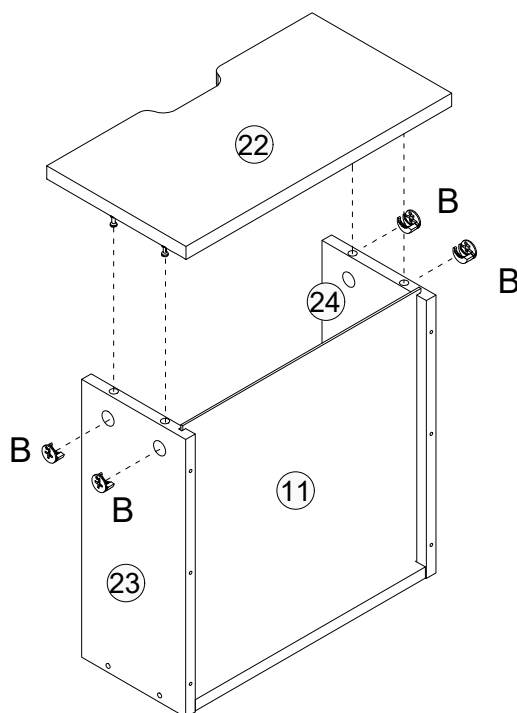
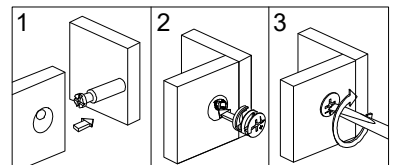


STEP 29

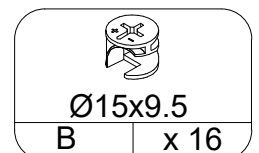


X4

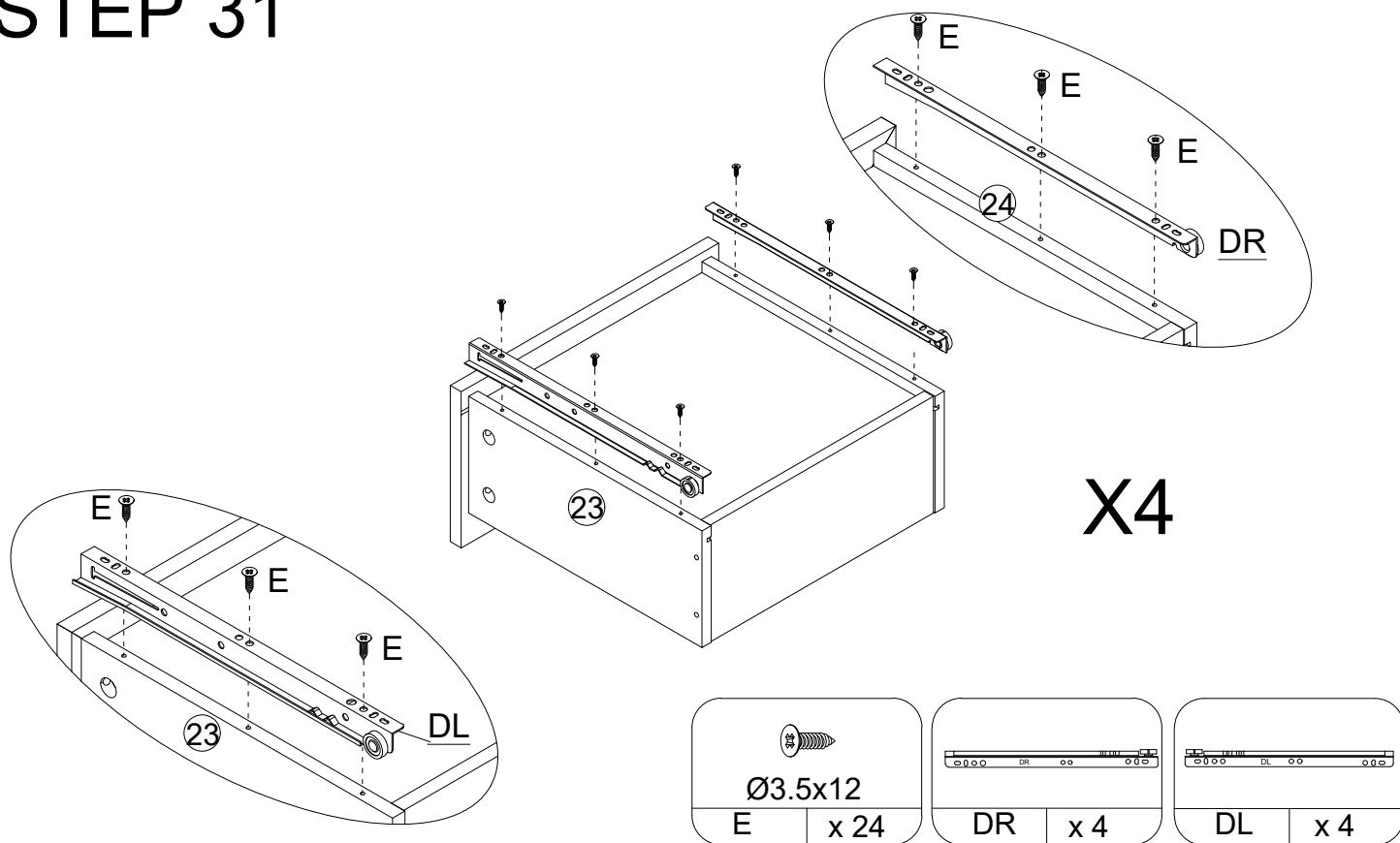
STEP 30



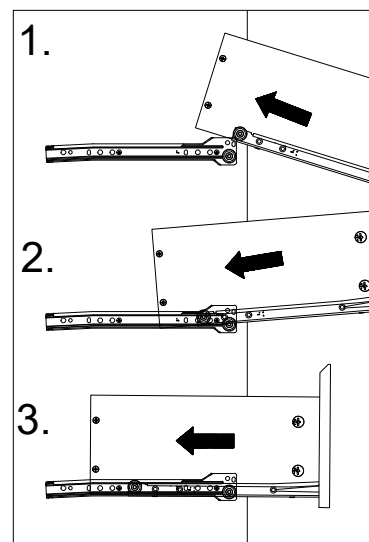
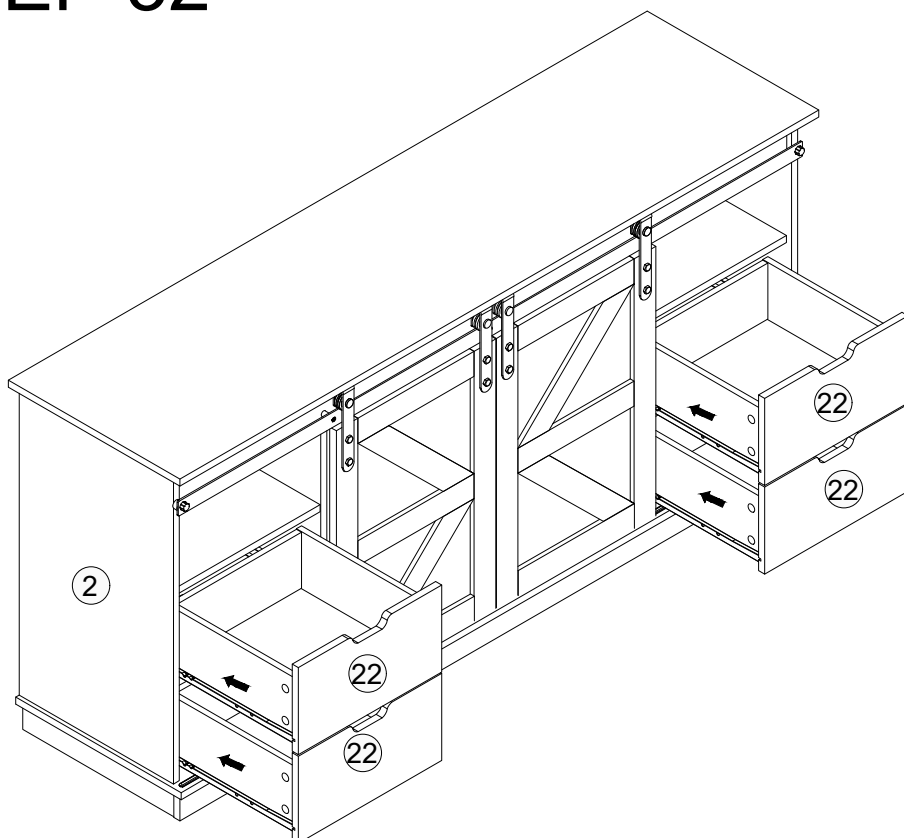
X4



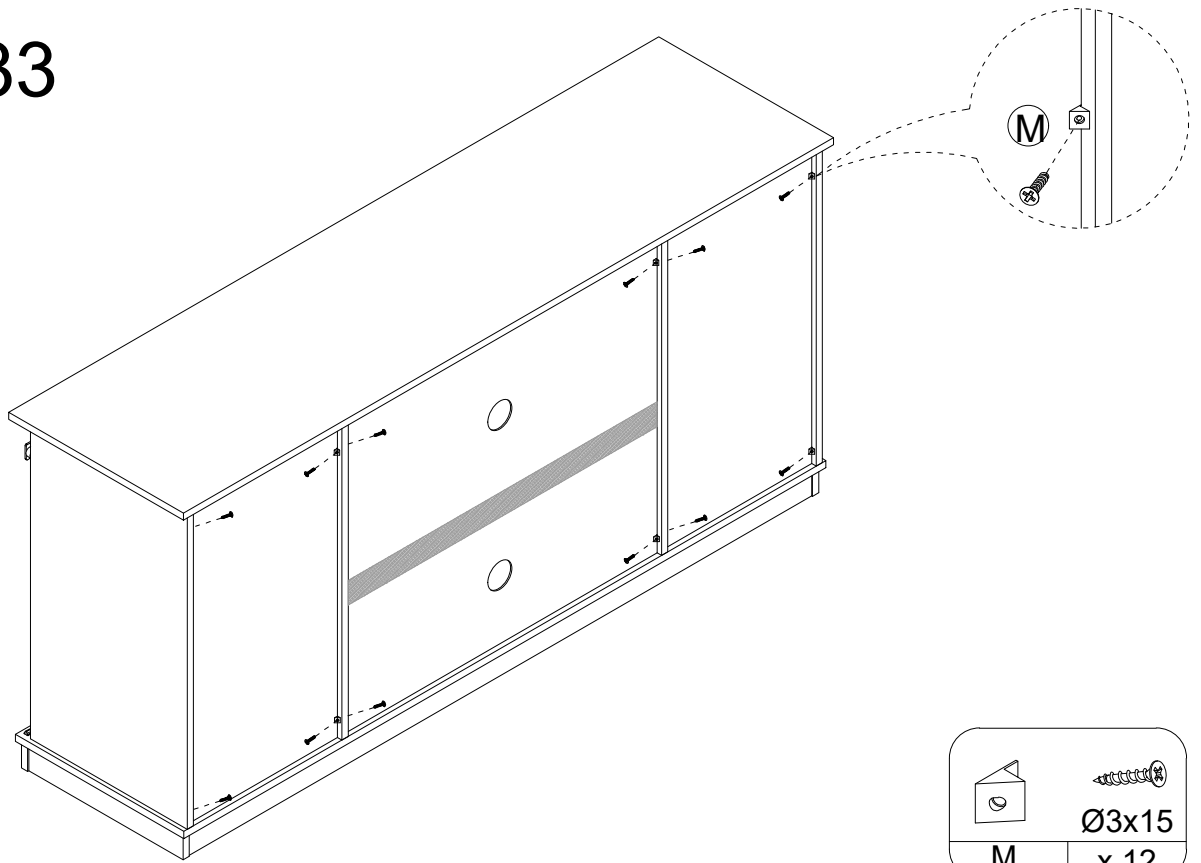
STEP 31



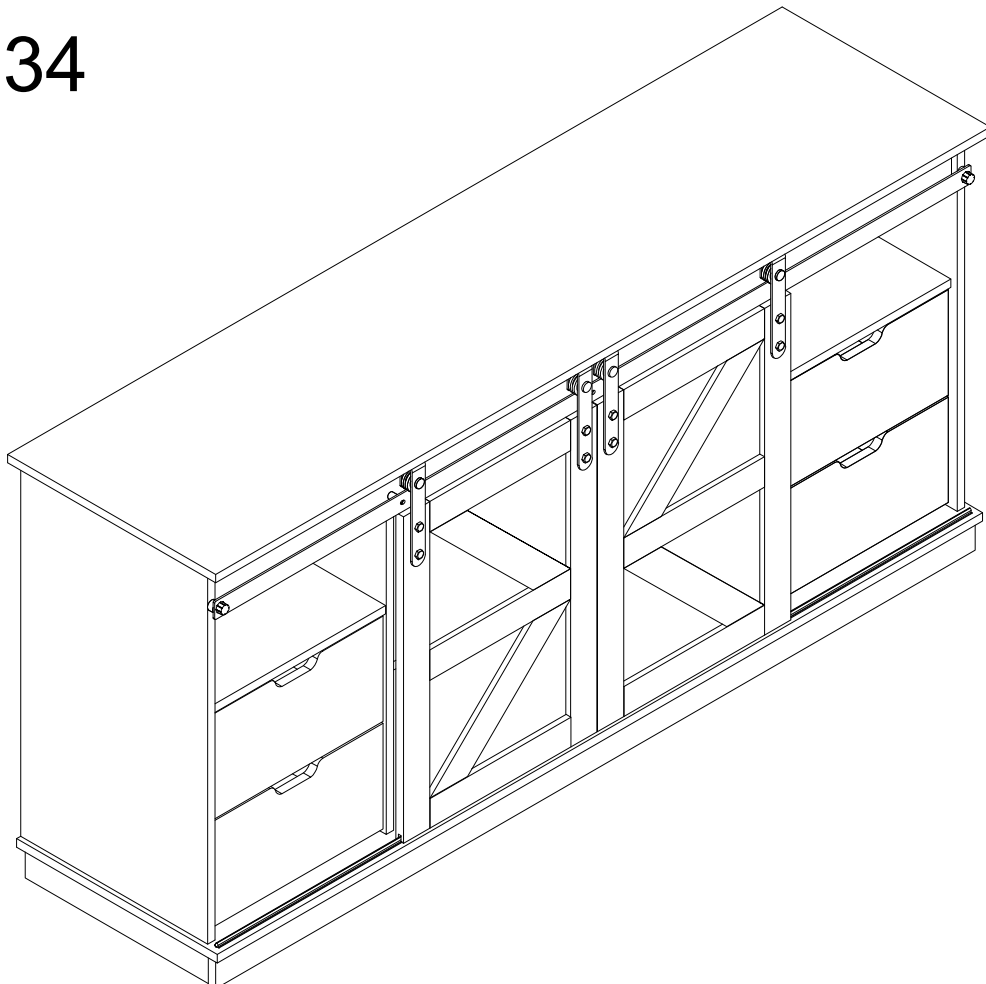
STEP 32



STEP 33



STEP 34



FURNITURE CARE AND MAINTENANCE

Medium - Density Fiberboard

Thank you for your purchase. We want your item to last as long as possible. To ensure the product gives you years of service, please refer to this care and maintenance guide.

MAINTENANCE



- Tighten all bolts and screws again within the first 2 weeks of assembly
- Check the tightness of all bolts every 2 months, tighten them if necessary

CLEANING



- Clean the surface of the MDF (medium - density fiberboard) with a lightly dampened cloth.
- Small amount of mild soap can be used if necessary
- Dry the surface immediately after cleaning.

- ⚠ DO NOT use bleach or alcohol detergent to clean the surface.
- ⚠ DO NOT apply wood treatment on parts made with MDF.

Medium - density fiberboard will swell and distort when suffer from water damage. Make sure to dry the furniture immediately after cleaning