

Installation & Assembly



30 : 00

estimated assembly



2 or more

people required

Ok, let's
get started!



- Put on mood music!
- To prevent damage to product, use the clean side of package carton or rug as working surface.
- In the event of missing or damaged parts, delivery problems etc., please reach out to our team.
We will be happy to fix the problem!

care guide

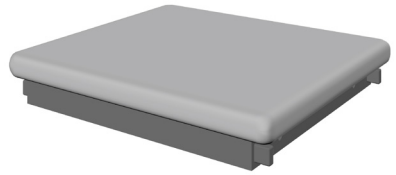
- Clean regularly with a soft and dry cloth.
- To protect finish, avoid use of abrasive cleaners.
- Wipe up spills immediately. Please!



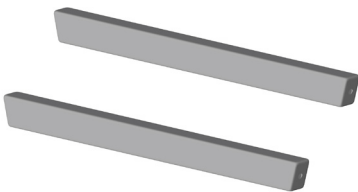
product parts



A
Side Leg
x2



B
Seat
x1



C
Leg Connector
x2



D
Back Rest
x1

what's included



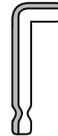
(E)- Bolt
(35x6)
x8



(F)- Bolt
(50x6)
x4



(G)- Washer
(16x6)
x4



(H)- Allen Key
(4mm)
x1



(I)- Lock Washer
(12x6)
x4

assembly instructions

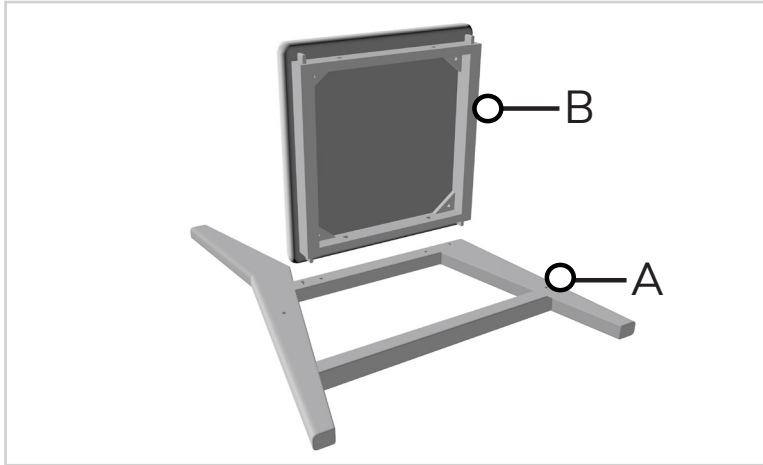
Friendly Tip: Take a deep breath going in. This may be a tricky part, but nothing too overwhelming. Just follow these steps to the T and the outcome will be worth it!



- ⓘ While assembling the product, tighten the bolts up to 50%. Once all parts are in place, only then fully tighten the bolts.

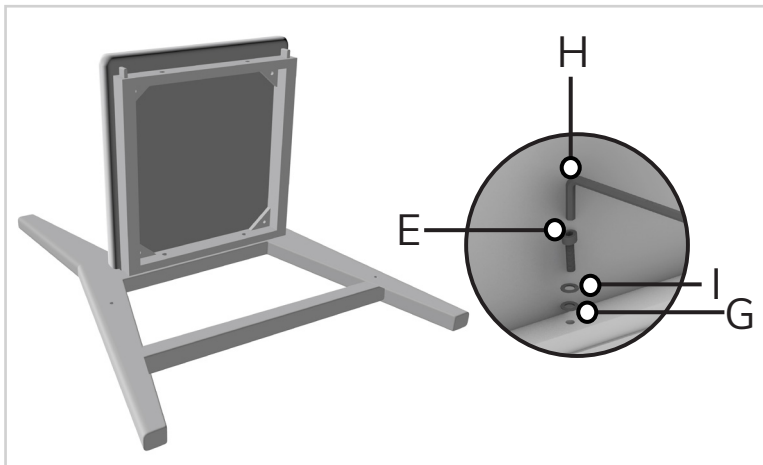
step 1:

Start by placing one of the side leg (A) on a flat surface. Now, place the slots given on the seat (B) over the slots on the leg. Use the image below as reference.



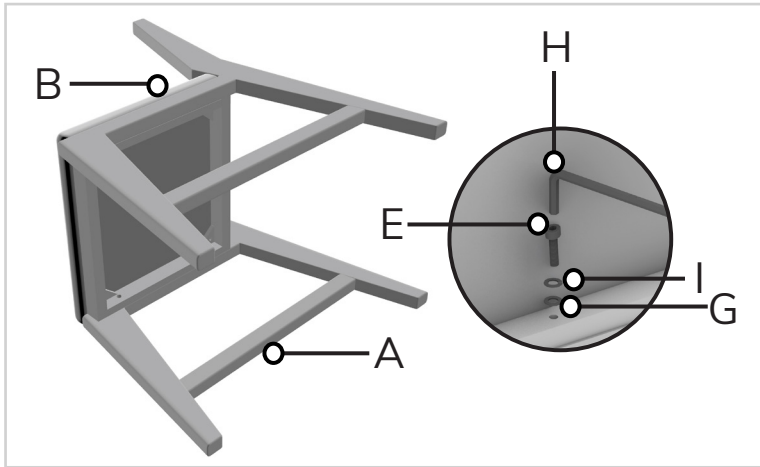
step 2:

Now, fix it in place by using washer (G), lock washer (I) & bolt (E) in the given slots. Tighten using an allen key (H).



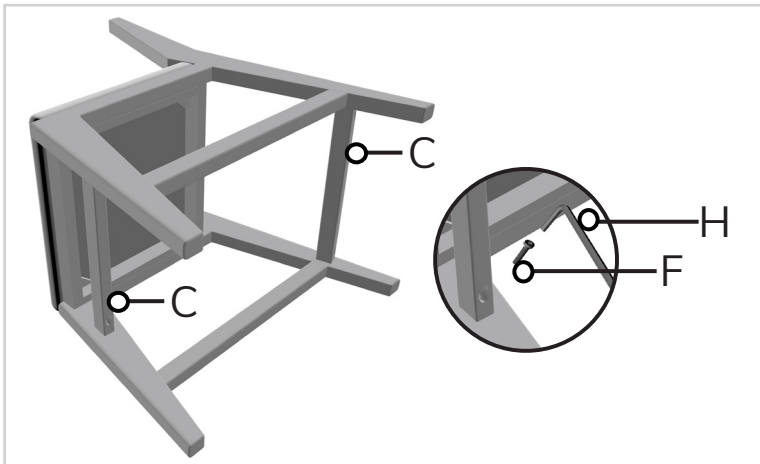
step 3:

Next, repeat step 1 with the other leg (A) and align the other side of seat (B) with the slots on the leg. Fix it in place by using washer (G), lock washer (I) & bolt (E) in the given slots. Tighten using an allen key (H)



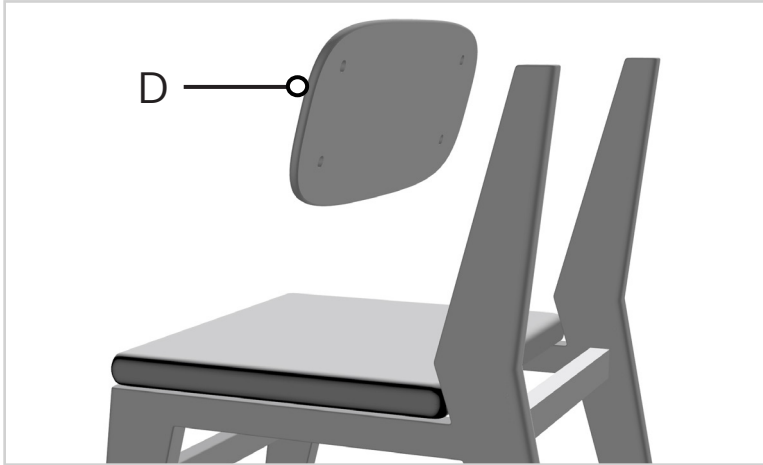
step 4:

When done, place the leg connectors (C) between the front and back legs and fix them in place by inserting bolts (F) in the given slots. Tighten using an allen key (H)



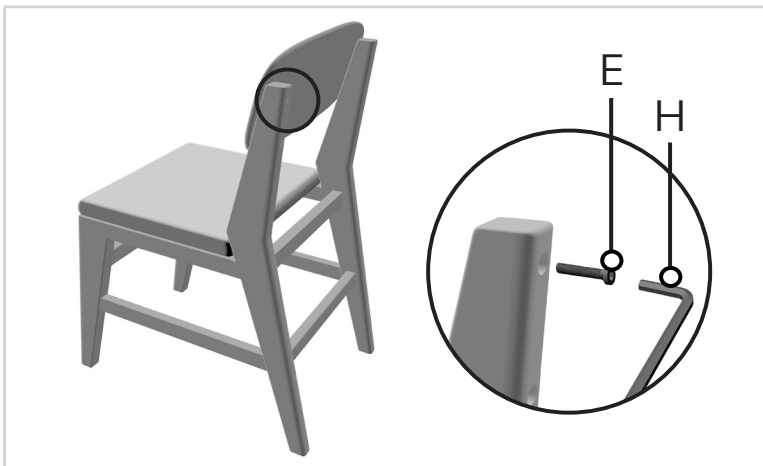
step 5:

Turn the chair upright, take the backrest (D), and align it with the slots on the leg frames.



step 6:

Now, secure it in place by inserting bolts (E) and tightening them with an Allen key (H).



Voila! Your chair is now assembled and secure!