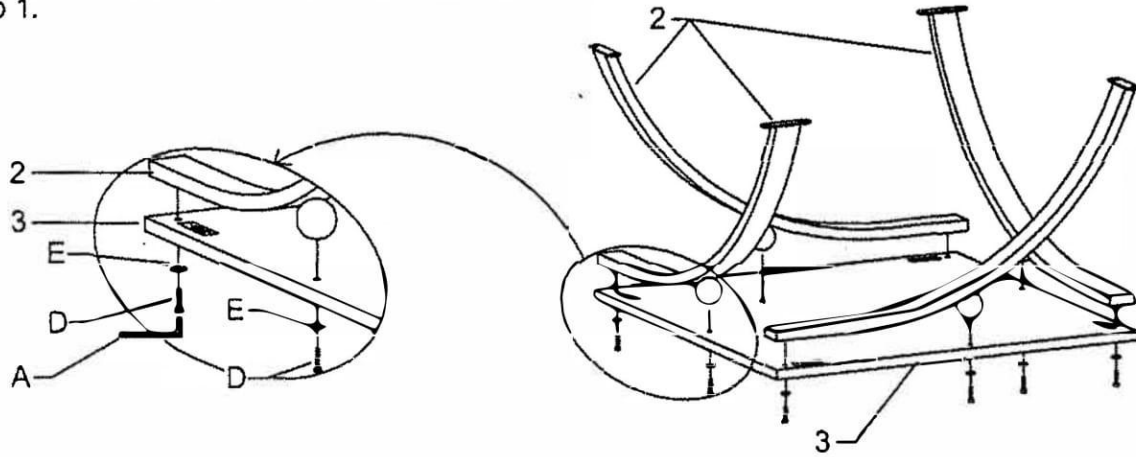


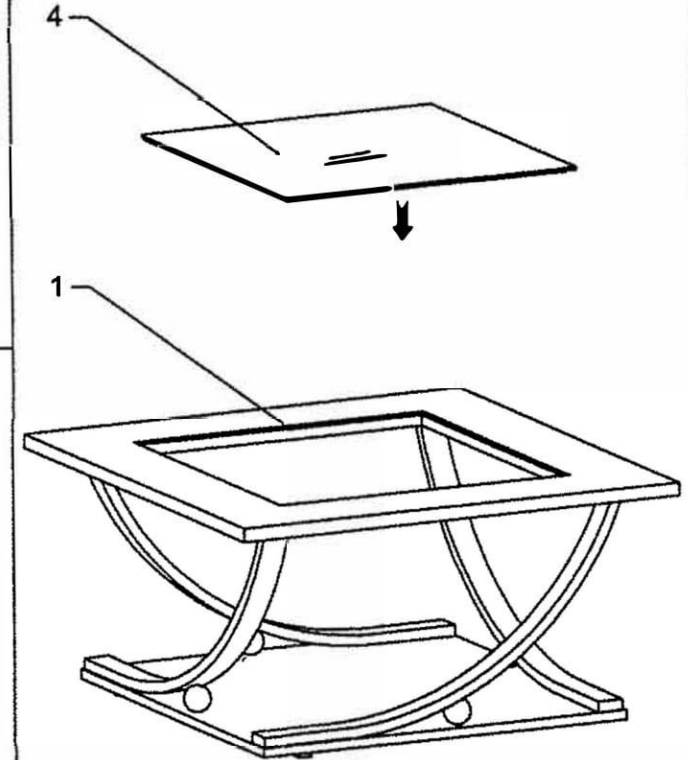
# ASSEMBLY INSTRUCTIONS

**\*\* Do not tighten any bolts until all of them have been started !**

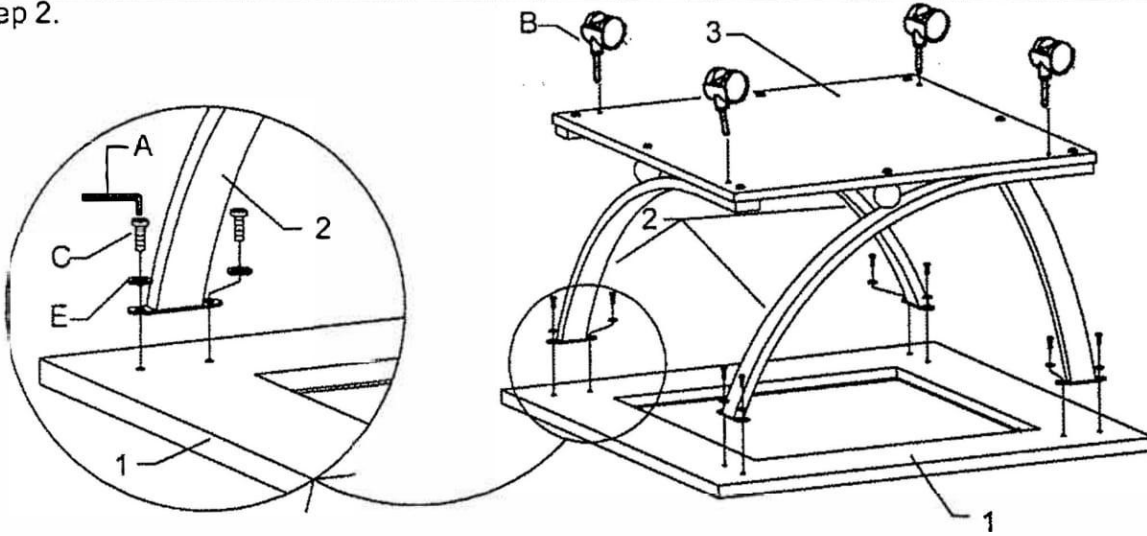
Step 1.



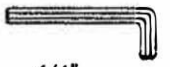




Step 3.



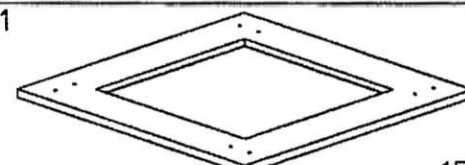

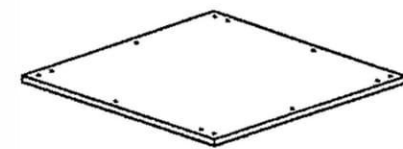

Step 2.



## ACCESSORY PACK

<p>A</p>  <p>1/4"</p> <p>1PC</p>	<p>B</p>  <p>4PC</p>	<p>C</p>  <p>1/4" X 15 mm</p> <p>8PCS</p>	<p>D</p>  <p>1/4" X 35mm</p> <p>8PCS</p>	<p>E</p>  <p>16PCS</p>
---	---	---	---	---

## COMPLETE HARDWARE

<p>1</p>  <p>1PC</p>	<p>2</p>  <p>4PCS</p>	<p>3</p>  <p>1PC</p>	<p>4</p>  <p>1PC</p>
--	--	---	---