

READ THESE INSTRUCTIONS AND
SAVE THEM FOR FUTURE USE



Installation Guide

WARNING:
**DC Motor will not
operate until blades
are installed**

Table of Contents:

Safety Tips. pg. 2
Unpacking Your Fan. pg. 3
Parts Inventory. pg. 3
Installation Preparation. pg. 4
Hanging Bracket Installation. pg. 4
Fan Assembly. pgs. 5 - 6
Wiring. pg. 7
Canopy Assembly. pg. 7
Blade Assembly. pg. 8
Light Kit Assembly. pg. 9
Automated Learning Process./
 Activating Code. pg. 10
Remote Control Operation. pg. 11
Smart WiFi Remote Control (Optional). pg. 12
Testing Your Fan. pg. 12
Troubleshooting. pg. 13
Warranty. pg. 13
Parts Replacement. pg. 13



Intertek
4007498

net weight of fan: 25,71 lb (11,66 kg)

SAFETY TIPS.

WARNING: To reduce the risk of electrical shock, turn off the electricity to the fan at the main fuse box or circuit panel before you begin the fan installation or before servicing the fan or installing accessories.

1. **READ ALL INSTRUCTIONS AND SAFETY INFORMATION CAREFULLY BEFORE INSTALLING YOUR FAN AND SAVE THESE INSTRUCTIONS.**

CAUTION: To avoid personal injury, the use of gloves may be necessary while handling fan parts with sharp edges.

2. Make sure all electrical connections comply with Local Codes or Ordinances, the National Electrical Code, and ANSI/NFPA 70-1999. If you are unfamiliar with electrical wiring or if the house/building wires are different colors than those referred to in the instructions, please use a qualified electrician.
3. Make sure you have a location selected for your fan that allows clear space for the blades to rotate, and at least ten (10) feet (3.048 meters) of clearance between the floor and the fan blade tips. The fan should be mounted so that the tips of the blades are at least thirty (30) inches (76 centimeters) from walls or other upright structures.
4. The outlet box and ceiling support joist used must be securely mounted, and capable of supporting at least 35 pounds (16 kilograms). The outlet box must be supported directly by the building structure. Use only CETL or CUL in Canada or ETL or UL in USA listed outlet boxes marked "FOR FAN SUPPORT".

WARNING: To reduce the risk of fire, electrical shock, or personal injury, mount to the outlet box marked "Acceptable for Fan Support of 15.9 kg (35 lb) or less," and use the mounting screws provided with the outlet box. Most outlet boxes commonly used for the support of lighting fixtures are not acceptable for fan support and may need to be replaced. Consult a qualified electrician if in doubt.

WARNING: To reduce the risk of fire, electrical shock, or personal injury, wire connectors provided with this fan are designed to accept only one 12 gauge house wire and two lead wires from the fan. If your house wire is larger than 12 gauge or there is more than one house wire to connect to the corresponding fan lead wires, consult an electrician for the proper size wire connectors to use.

5. Electrical diagrams are for reference only.
6. After installation is complete, check that all connections are absolutely secure.
7. After making electrical connections, spliced conductors should be turned upward and pushed carefully up into the outlet box. The wires should be spread apart with the grounded conductor and the equipment-grounding conductor on opposite sides of the outlet box.

WARNING: To reduce the risk of fire or electrical shock, do not use this fan with any solid state speed control device or control fan speed with a full range dimmer switch. [Using a full range dimmer switch to control fan speed will cause a loud humming noise from fan.]

8. Do not operate the reverse switch until fan has come to a complete stop.
9. Do not insert anything between the fan blades while they are rotating.

WARNING: To reduce the risk of personal injury, do not bend the blade arms during assembly or after installation. Do not insert objects into the path of the blades.

WARNING: To avoid personal injury or damage to the fan and other items, be cautious when working around or cleaning the fan.

10. Do not use water or detergents when cleaning the fan or fan blades. A dry dust cloth or lightly dampened cloth will be suitable for most cleaning.

WARNING: To reduce the risk of personal injury, use **only** parts provided with this fan. **The use of parts OTHER than those provided with this fan will void the warranty.**

WARNING: This fan **MUST** be installed with the safety cable provided with the fan. Failure to use the safety cable provided may result in personal injury, damage to the fan or damage to other property.

CAUTION: Do NOT tamper with or attempt to repair LED component of fixture. The light source is designed for this specific application and should not be serviced by untrained personnel. If any servicing is required, call our customer service department.

11. Light kit is dimmable to 10% with select dimmers.

Modifications not approved by the party responsible for compliance could void the user's authority to operate the equipment. [The equipment refers to the remote and/or wall control and/or LED light kit.]

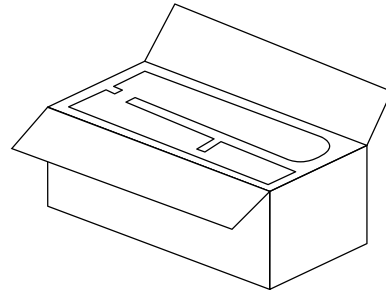
NOTE: This equipment has been tested and found to comply with the limits for a Class B digital device, pursuant to Part 15 of the FCC Rules. These limits are designed to provide reasonable protection against harmful interference in a residential installation. This equipment generates, uses and can radiate radio frequency energy and, if not installed and used in accordance with the instructions, may cause harmful interference to radio communications. However, there is no guarantee that interference will not occur in a particular installation. If this equipment does cause harmful interference to radio or television reception, which can be determined by turning the equipment off and on, the user is encouraged to try to correct the interference by one or more of the following measures:

- * Reorient or relocate the receiving antenna.
- * Increase the separation between the equipment and receiver.
- * Connect the equipment into an outlet on a circuit different from that to which the receiver is connected.
- * Consult the dealer or an experienced radio/TV technician for help.

NOTE: The important safety precautions and instructions appearing in the manual are not meant to cover all possible conditions and situations that may occur. It must be understood that common sense and caution are necessary factors in the installation and operation of this fan.

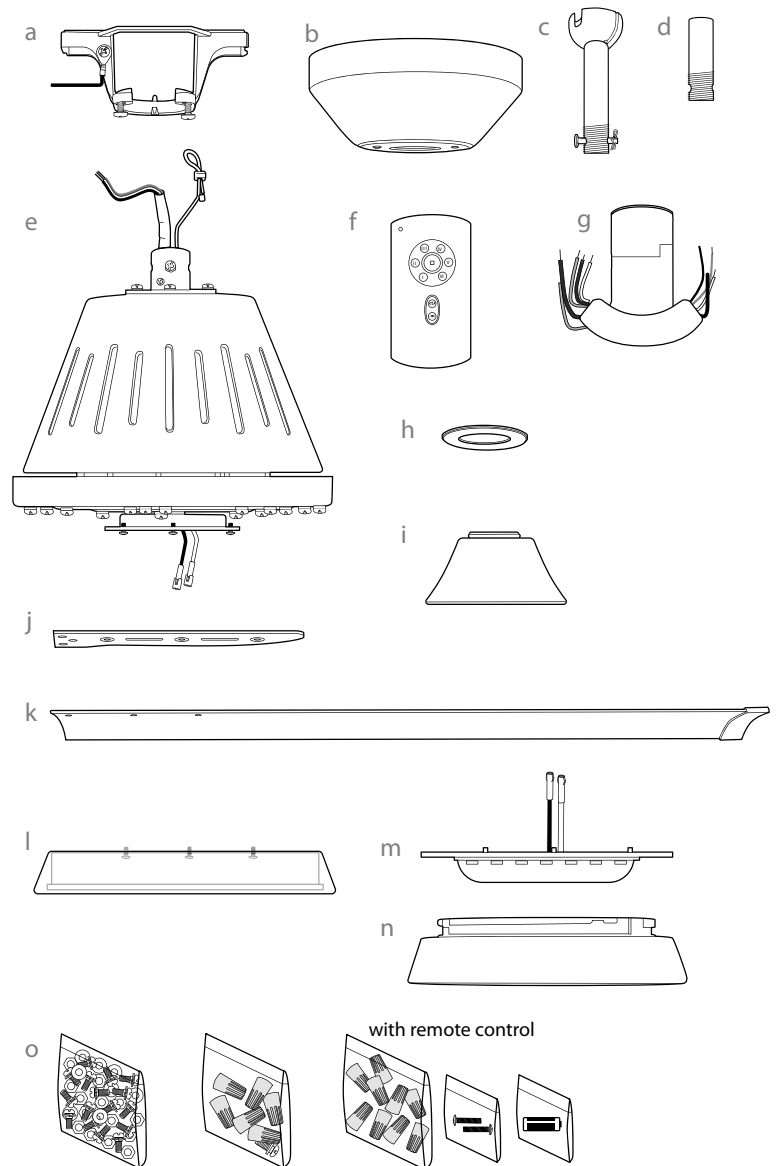
1. Unpacking Your Fan.

Carefully open the packaging. Remove items from Styrofoam inserts. Remove motor housing and place on carpet or Styrofoam to avoid damage to finish. Do not discard fan carton or Styrofoam inserts should this fan need to be returned for repairs. Check against parts inventory that all parts have been included.



2. Parts Inventory.

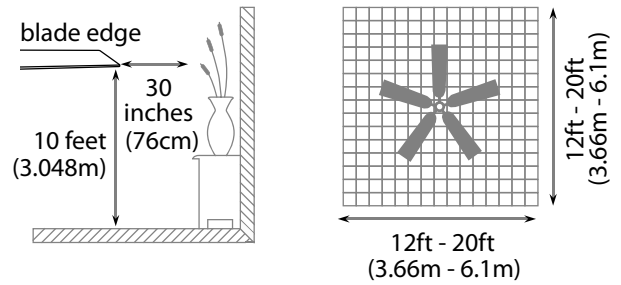
- a. hanging bracket. 1 piece
- b. canopy. 1 piece
- c. 6in. downrod and hanging ball (with pin and clip). 1 piece
- d. 4in. downrod. 1 piece
- e. motor housing. 1 piece
- f. remote control. 1 piece
- g. remote control receiver. 1 piece
- h. canopy cover. 1 piece
- i. yoke cover. 1 piece
- j. blade arm. 8 pieces
- k. blade. 8 pieces
- l. fitter plate. 1 piece
- m. LED light kit. 1 piece
- n. shade. 1 piece
- o. hardware packs



! IMPORTANT REMINDER: You must use the parts provided with this fan for proper installation and safety. **!**

3. Installation Preparation.

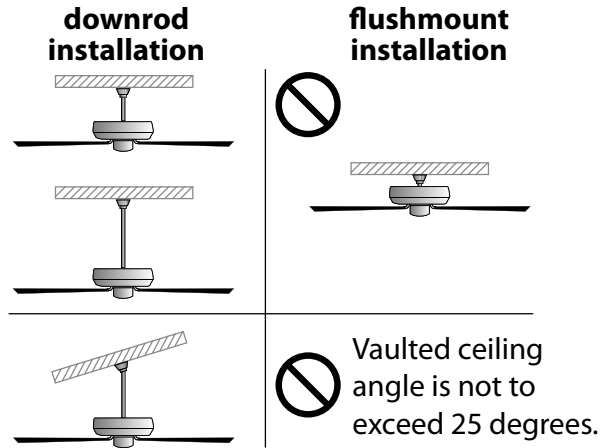
To prevent personal injury and damage, ensure that the hanging location allows the blades a clearance of 10 feet (3.048m) from the floor and 30in. (76cm) from any wall or obstruction. This fan is suitable for room sizes up to 400 square feet (37.2 square meters).



This fan can be mounted with a **downrod** on a regular (no-slope) or vaulted ceiling. The hanging length can be extended by purchasing a longer downrod (0.5in./1.27cm diameter). Other installation, such as **flushmount**, is *not* available for this fan.

Installation requires these tools:

Phillips screwdriver, flathead screwdriver, adjustable pliers or wrench, stepladder, wire cutters, and rated electrical tape.



4. Hanging Bracket Installation.

Turn off circuit breakers to current fixture from breaker panel and be sure operating light switch is turned to the OFF position.

WARNING: Failure to disconnect power supply prior to installation may result in serious injury.

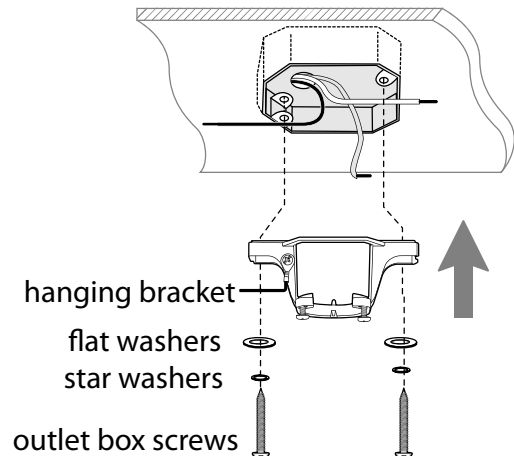
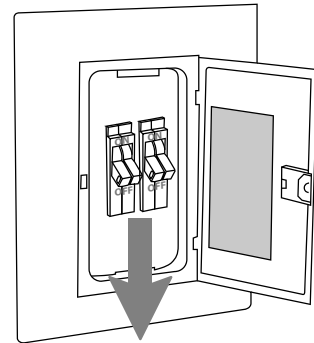
Remove existing fixture.

WARNING: When using an existing outlet box, be sure the outlet box is securely attached to the building structure and can support the full weight of the fan. Ensure outlet box is clearly marked "Suitable for Fan Support." If not, it must be replaced with an approved outlet box. Failure to do so can result in serious injury.

CAUTION: Be sure outlet box is grounded properly and that a ground wire (**GREEN** or bare) is present.

Install hanging bracket to outlet box using outlet box screws provided (or original outlet box screws), star washers and flat washers provided with new or original outlet box.* If installing on a vaulted ceiling, face opening of hanging bracket towards high point of ceiling. Arrange electrical wiring around the back of the hanging bracket and away from the bracket opening.

***Note:** It is very important that you use the proper hardware when installing the hanging bracket as this will support the fan.



5. Fan Assembly.

Remove hanging ball from downrod provided by loosening set screw on hanging ball. Remove pin and clip. Lower hanging ball and remove stop pin. Slide hanging ball off of the downrod. [Refer to **diagram 1**.]

Loosen yoke set screws and nuts at top of motor housing. [Refer to **diagram 2**.]

Tip: To prepare for threading electrical wires through downrod, apply a small piece of electrical tape to the ends of the electrical wires--this will keep the wires together when threading them through the downrod. [Refer to **diagram 2**.]

Determine the length of downrod you wish to use. Thread safety cable and electrical wires through threaded end of downrod and pull extra wire slack from the upper end of the downrod. [Refer to **diagram 2**.]

Thread downrod into the motor housing yoke until holes for pin and clip in downrod align with holes in yoke--*make sure wires do not get twisted*. Re-insert pin and clip that were previously removed. Tighten yoke set screws and nuts securely. [Refer to **diagram 2**.]

Slide yoke cover, canopy cover and canopy over downrod. [Refer to **diagram 3**.] (**Note:** Canopy cover must be turned with smooth side *toward* the motor housing.)

Thread safety cable and wires through hanging ball and then slide hanging ball over downrod--the top of the downrod should be noted as having a set screw hole; use this hole when setting the set screw. Insert stop pin into top of downrod and raise hanging ball. Be sure stop pin aligns with slots on the inside of the hanging ball. Tighten set screw securely. [Refer to **diagram 4**.]

WARNING: Failure to tighten set screw (on hanging ball) completely could result in the fan becoming loose and possibly falling.

["Fan Assembly" continued on next page.]

NOTE: The important safety precautions and instructions appearing in the manual are not meant to cover all possible conditions and situations that may occur. It must be understood that common sense and caution are necessary factors in the installation and operation of this fan.

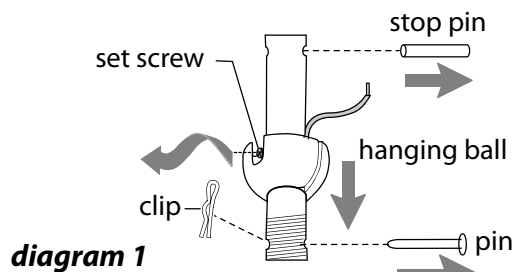


diagram 1

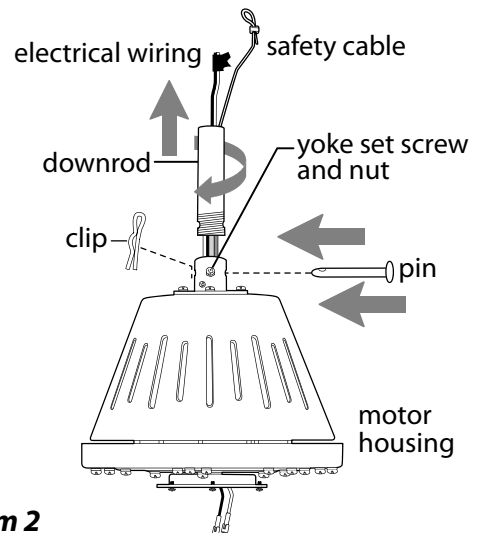


diagram 2

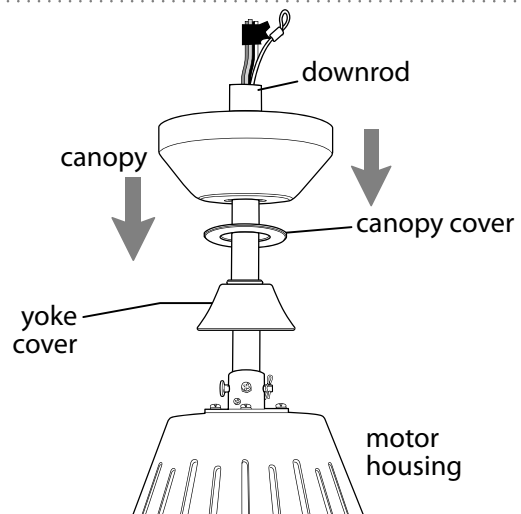


diagram 3

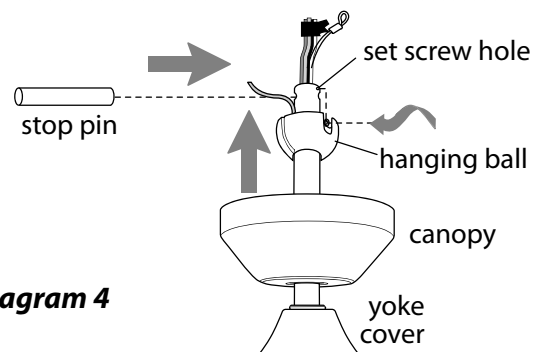


diagram 4

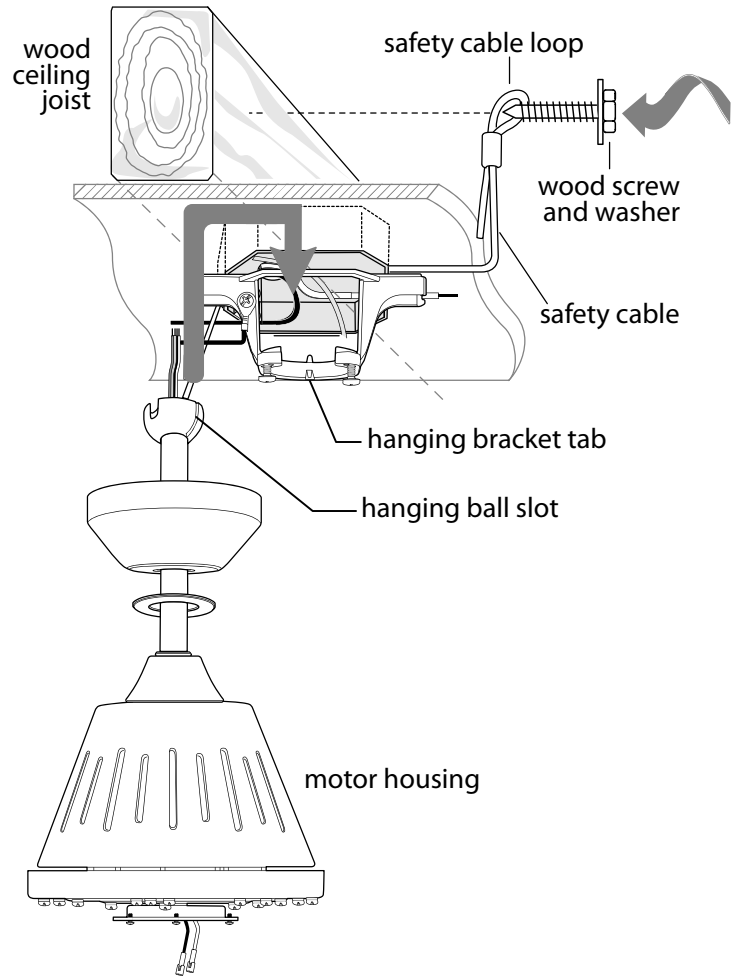
5. Fan Assembly. (cont.)

With the hanging bracket secured to the outlet box and able to support the fan, you are now ready to hang your fan. Grab the fan firmly with two hands. Slide downrod through opening in hanging bracket and let hanging ball rest on the hanging bracket. Turn the hanging ball slot until it lines up with the hanging bracket tab.

WARNING: Failure to align slot in hanging ball with tab in hanging bracket may result in serious injury or death.

Tip: Seek the help of another person to hold the stepladder in place and to help lift the fan up to you once you are set on the ladder.

Find a secure attachment point (wood ceiling joist highly recommended) and secure safety cable. It will be necessary to use a heavy duty wood screw, washer and lock washer (not supplied) with the safety cable loop. If necessary, adjust the loop at the end of the safety cable. The loop at the end of the safety cable should just fit over the threads on the wood screw. *Test safety cable by pulling on loose end of safety cable with pliers. If the safety cable slips, the loop must be adjusted smaller.* Extra cable slack can be left in ceiling area.



6. Wiring.

WARNING: Turn off circuit breakers to current fixture from breaker panel and be sure switch is turned to the OFF position.

CAUTION: Be sure outlet box is properly grounded and that a ground wire (**GREEN** or Bare) is present.

Make sure all electrical connections comply with Local Codes or Ordinances and the National Electrical Code. If you are unfamiliar with electrical wiring or if the house/building wires are different colors than those referred to in the diagram to the right, please use a qualified electrician.

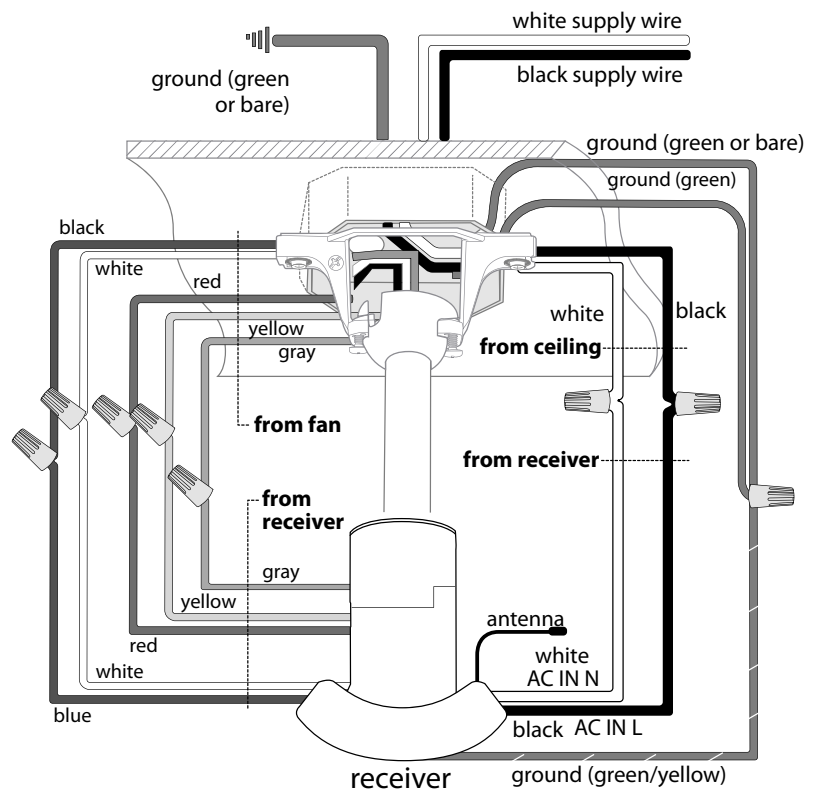
Note: Excess lead wire length from the fan can be cut to the desired length and then stripped.

When downrod is secured in place on the hanging bracket, **wire the RECEIVER** with wire connectors provided as shown in diagram at right.

Tip: While you are wiring, keep in mind that wires must not obstruct receiver from sliding into hanging bracket.

* Wrap each wire connector separately with electrical tape as an extra safety measure.

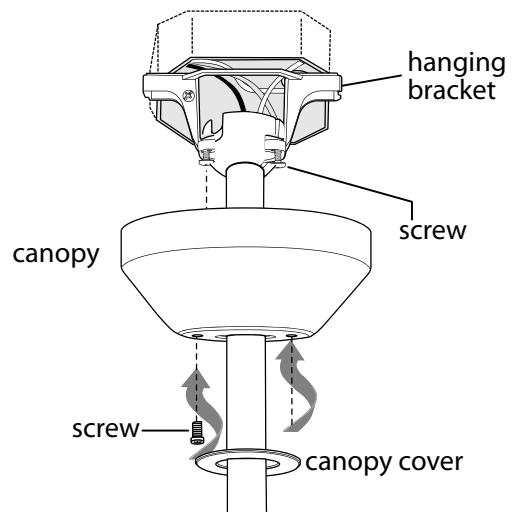
Gently insert receiver (flat side up) into hanging bracket and carefully push wires and taped wire connectors into outlet box. Let antenna rest *outside* of hanging bracket.



7. Canopy Assembly.

Locate 2 screws on underside of hanging bracket and remove screw closest to the open end of the hanging bracket. Partially loosen the other screw. Lift canopy to hanging bracket. Place rounded part of slotted hole in canopy over loosened screw in hanging bracket and push up. Twist canopy to lock. Re-insert screw that was removed and then tighten both screws securely.

Slide canopy cover up to canopy, aligning rounded part of slotted holes in canopy cover with screwheads in bottom of canopy. Turn canopy cover to the right (clockwise) until it stops.



8. Blade Assembly.

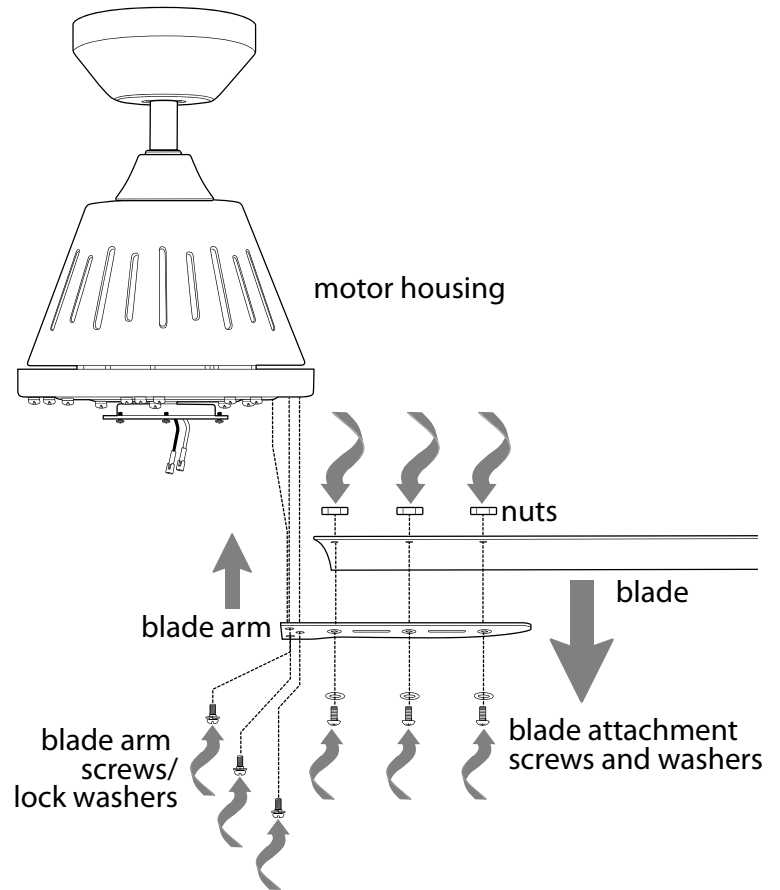
WARNING: To reduce the risk of serious bodily injury, DO NOT use power tools to assemble the blades. If screws are overtightened, blades may crack and break.

Time Saver: Washers for blade screws can be set on each blade screw prior to installing blades.

Locate 24 blade attachment screws and washers and 24 nuts in hardware packs. Place blade arm on *UNDERSIDE* of blade, aligning holes in blade arm with holes in blade as shown. (Note label on blade arm and blade indicating *THIS SIDE UP*.) Insert 3 blade attachment screws (along with washers) from *UNDERSIDE* of blade arm. Place one nut on each blade attachment screw from *topside* of blade. Tighten all screws and nuts securely. Repeat procedure with remaining blades.

Remove blade arm screws/lock washers from underside of motor. Align blade arm holes with motor screw holes and attach blade arm with blade arm screws/lock washers. Before securing screws permanently, repeat with remaining blade arms. Securely tighten all screws.

NOTE: Tighten blade arm screws twice a year.



9. Light Kit Assembly.

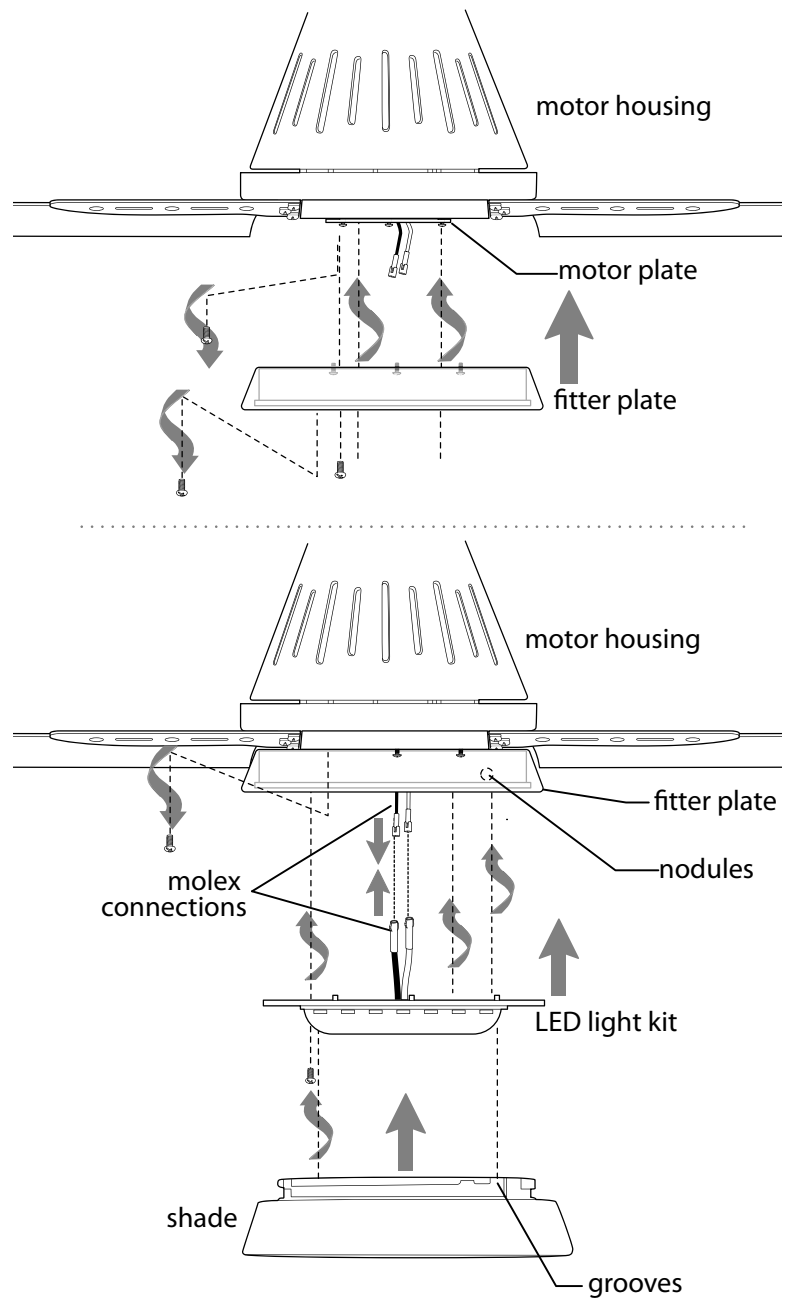
Remove 1 screw from motor plate on underside of motor housing and partially loosen the other 2 screws. Align slotted holes in fitter plate with loosened screws in motor plate, allowing molex connections from motor housing to come through hole in middle of fitter plate. Twist fitter plate to lock. Re-insert screw that was just removed and securely tighten all 3 screws with a Phillips screwdriver.

Remove 3 screws from underside of fitter plate.

Connect **WHITE** wire from LED light kit to **WHITE** wire from motor housing. Connect **BLACK** wire from LED light kit to **BLACK** (or **BLUE**) wire from motor housing. Be sure that molex connections snap together completely.

Carefully arrange wiring within fitter plate. Align holes in LED light kit with holes in fitter plate. Re-insert screws that were previously removed and securely tighten all 3 screws with a Phillips screwdriver.

Align grooves on shade with nodules on inside of fitter plate and push up gently on shade. Twist shade to the **RIGHT** (clockwise) until shade locks into place. Pull down **VERY GENTLY** on shade to make sure that shade is secure.



10. Automated Learning Process./Activating Code.

CAUTION: The remote control transmitter can be programmed to multiple receivers or fans. If this is not desired, turn wall switch off to any other programmable receiver or fan.

Remove battery cover on back side of remote control transmitter. Install one 12-volt battery (included).

Since this fan comes with an LED light kit, the dimmer switch (labeled **ON** and **D**) has been pre-set to the "ON" position (**ON**). If you do not wish to have dimming capability, please move the switch to the "OFF" position (**D**).

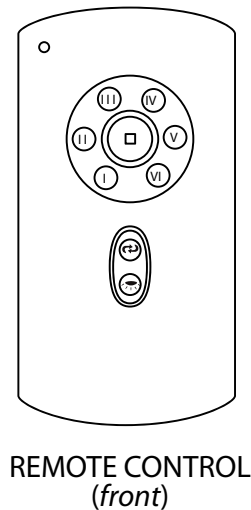
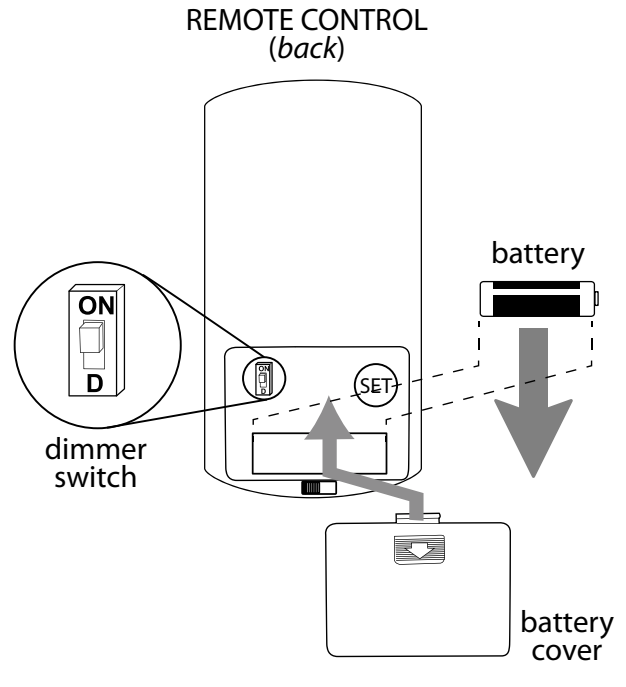
Restore electrical power. **Turn power off again for at least 5 seconds** and then turn power back on. Within 60 seconds of restoring the power, press and hold the fan **SET** button for 5 seconds or until light blinks twice. Then replace the battery cover.

NOTE: Battery is not rechargeable. Remove batteries with low or no charge and dispose of properly.

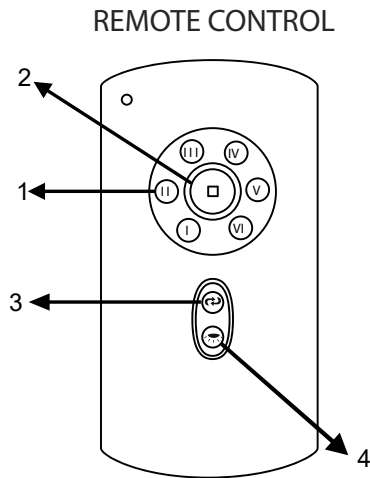
CAUTION: "DO NOT DISPOSE OF BATTERIES IN FIRE, BATTERIES MAY EXPLODE OR LEAK." - When disposing of household alkaline batteries, it is best to check with your local and state recycling or household hazardous waste coordinators concerning the specifics of the program in your area. You may also locate a recycling center by calling 1-800-8-BATTERY or 1-877-2-RECYCLE or visit www.epa.gov/epawaste/index.htm or www.earth911.org for more information.

WARNING: Choking Hazard - Small parts. Keep battery away from children.

WARNING: Non-rechargeable batteries are not to be recharged; Do not mix different types of batteries such as alkaline, carbon-zinc, or rechargeable batteries; Do not mix old and new batteries; Batteries are to be inserted with the correct polarity; Exhausted batteries are to be removed from the product.



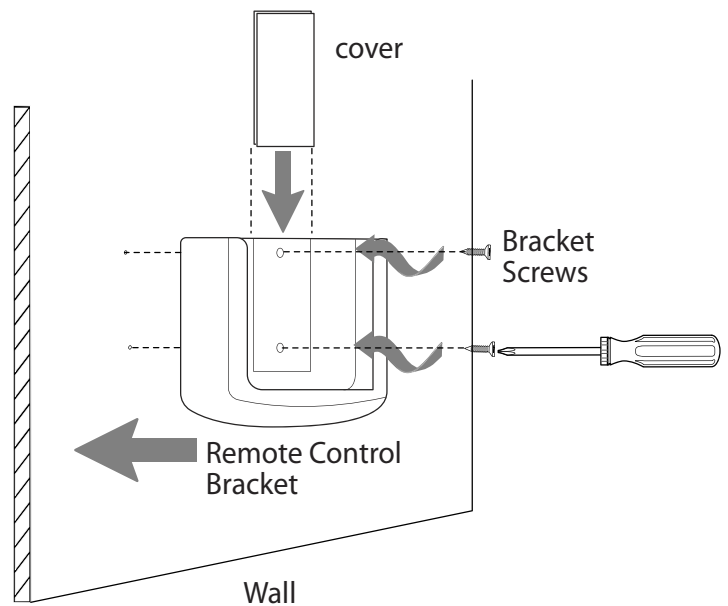
11. Remote Control Operation



- Fan **SPEED** buttons--1: Use to control ceiling fan speeds 1-6
- Fan **OFF** button--2: Use to turn the fan off
- REVERSE** function button--3: Use to control fan direction
- LIGHTING** button--4: Use to control down-light and up-light (if applicable)

IMPORTANT: *The Automated Learning Process takes approximately 5 minutes to complete.* Please **leave the fan "ON"** for the duration of the 5-minute programming and **do NOT use the remote control or turn off the power** during this time. The fan will **cycle through ALL SIX (6) speeds in forward and reverse** and will **then stop automatically** after the learning process is complete.

If you wish to use the remote control bracket, install screws from remote pack through bracket and into the desired installation site as shown. The remote control rests on the bracket.



12. Smart Ceiling Fan WiFi Remote Control (Optional).

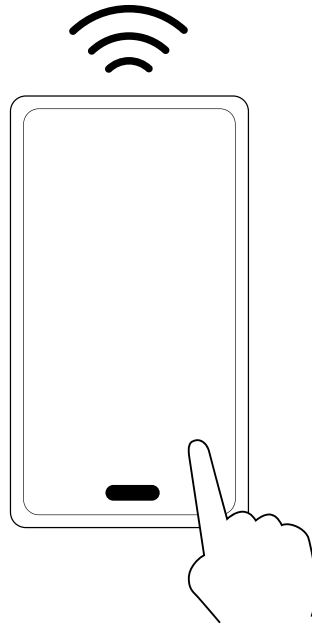
To enjoy all the potential of your new device, you will need to download the Smart app, available on the Google Play Store and Apple App Store.

Once you download the app, register new account and password.


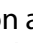
NOTE: Please keep this account information. You will use this account when you connect with your smart speaker.


When you log into the main page you will see the + on the right side of the top space. You will see the "add a new device" screen, then choose fan. Follow the configuration Wi-Fi process to continue pairings.

After the pairing process with Wi-Fi receiver, you can control the fan speed and light functions on the app. If you cannot find the fan, please see "Help" on the add a new device screen.



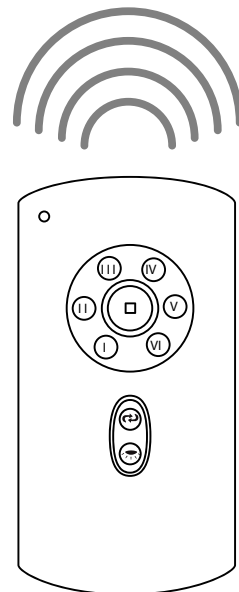
13. Testing Your Fan.

It is recommended that you test fan before finalizing installation. Restore power from circuit box and wall switch (if applicable). Test fan speeds with the different fan speed buttons (I - VI) on remote control. Test the light ON/OFF function by pressing the  button; test the dimmer function by pressing the  button and holding it down for up to 5 seconds. If the remote control operates all of the functions of the fan, battery has been installed correctly. If the remote control do (does) not operate all of the fan functions, refer to "Troubleshooting" section to solve any issues before contacting Customer Service.

Fan *must* be on LOW *before* setting the fan in reverse. Use  button to recirculate air depending on the season. A ceiling fan will allow you to raise your thermostat setting in summer and lower your thermostat setting in winter without feeling a difference in your comfort.

NOTE: If the remote control interferes with other appliances, activate a new code on the remote control by **turning the power off first**. Go back to the instructions for the SET button in Section 10 (page 10).

IMPORTANT: Remote control must be synchronized with fan in order to properly function.



Troubleshooting.

WARNING: Failure to disconnect power supply prior to troubleshooting any wiring issues may result in serious injury.

Problem: Fan fails to operate.

Solutions:

1. Check wall switch to fan.
2. Check to be sure fan is wired properly.
3. Learning process between fan and remote control may not have been successful and code was not activated. Turn off power and repeat instructions for SET button in Section 10 (page 10).
4. Check that red light on remote control turns on when a button is pressed indicating that the battery is good.

Problem: Light kit not lighting.

Solutions:

1. Check wall switch to fan.
2. Check to be sure wires in canopy are wired properly.
3. Verify that moxex connections in LED light kit are properly connected.
4. Learning process between fan and remote control may not have been successful and code was not activated. Turn off power and repeat instructions for SET button in Section 10 (page 10).

Problem: Fan operates but light fails.

Solutions:

1. Check to be sure wires in canopy are wired properly.
2. Verify that moxex connections in LED light kit are properly connected.

Problem: Fan and light fail to operate with remote control.

Solutions:

1. Check battery power to remote control.
2. Learning process between fan and remote control may not have been successful and code was not activated. Turn off power and repeat instructions for SET button in Section 10 (page 10).

Problem: Fan wobbles.

Solutions:

1. Check to be sure set screw(s) on motor housing yoke is (are) tightened securely.
2. Check to be sure set screw on hanging ball is tightened securely.

Warranty.

LIFETIME LIMITED WARRANTY:

We warrant this fan to the original household purchaser for indoor use under the following provisions:

1-YEAR WARRANTY: We will replace or repair any fan which has faulty performance due to a defect in material or workmanship. Contact Customer Service to arrange for return of fan. Return fan, shipping prepaid, to us. We will repair or ship you a replacement fan, and we will pay the return shipping cost.

5-YEAR WARRANTY: We will repair or replace, at no charge to the original purchaser, any fan motor that fails to operate satisfactorily when failure results from normal use. **RETURN FAN MOTOR ONLY**, shipping prepaid, to us. We will repair or ship purchaser a replacement motor and We will pay the return shipping cost.

6-YEAR to LIFETIME LIMITED WARRANTY: We will repair the fan, at no charge for labor only to the original purchaser, if the fan motor fails to operate satisfactorily when failure results from normal use. Parts used in the repair will be billed to the purchaser at prevailing prices at time of repair.

The purchaser shall be responsible for all costs incurred in the removal, reinstallation and shipping of the product for repairs.

This warranty does not apply when damage from mechanical, physical, electrical or water abuse results in causing the malfunction. Deterioration of finishes or other parts due to time or exposure to salt air is specifically exempted under this warranty.

Neither we nor the manufacturer will assume any liability resulting from improper installation or use of this product. In no case shall the company be liable for any consequential damages for breach of this, or any other warranty expressed or implied whatsoever. This limitation as to consequential damages shall not apply in states where prohibited.