



*ASSEMBLY INSTRUCTIONS
COASTER FINE FURNITURE*



Fine Furniture for every stage of life

602626
ROCKING CHAIR

ITEM : 602626

ASSEMBLY INSTRUCTIONS



ASSEMBLY TIPS:

1. Remove hardware from box and sort by size.
2. Please check to see that all hardware and parts are present prior to start of assembly.
3. Please follow attached instructions in the same sequence as numbered to assure fast & easy assembly.



Warning!

1. Don't attempt to repair or modify parts that are broken or defective. Please contact the store immediately.
2. This product is for home use only and not intended for commercial establishments.



ASSEMBLY TIME	10 MINUTES
---------------	------------

PARTS IDENTIFICATION

	PART NAME	FIGURE	QTY		PART NAME	FIGURE	QTY
A	BACK		1PC	E	FRONT LEG FRAME		1PC
B	SEAT		1PC	F	REAR LEG FRAME		1PC
C	RIGHT ARM		1PC	G	ROCKER		2PCS
D	LEFT ARM		1PC				

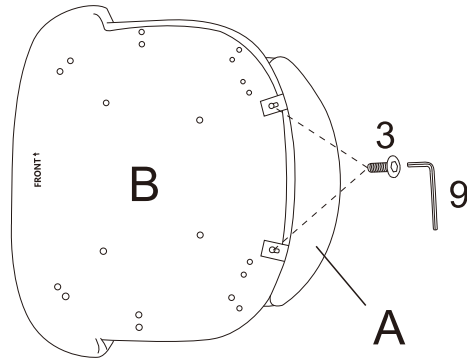
Z HARDWARE IDENTIFICATION

	HARDWARE NAME	FIGURE	QTY		HARDWARE NAME	FIGURE	QTY
1	BOLTS (M8 x 20 MM - BLK)		4PCS	6	WASHER (M6 x 18 MM - BLK)		4PCS
2	BOLTS (M6 x 45 MM - BLK)		4PCS	7	SPRING GASKET M8		4PCS
3	BOLTS (M6 x 20 MM - BLK)		10PCS	8	SPRING GASKET M6		4PCS
4	BOLTS (M6 x 30 MM - BLK)		2PCS	9	ALLEN KEY (M5)		1PC
5	WASHER (M8 x 22 MM - BLK)		4PCS				

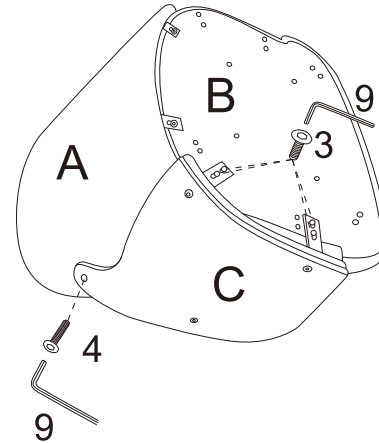
ITEM : 602626
ASSEMBLY INSTRUCTIONS



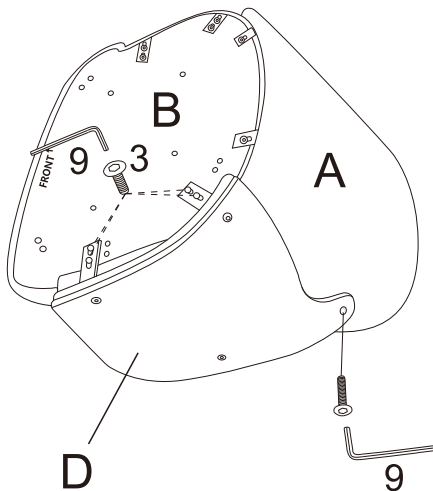
STEP1



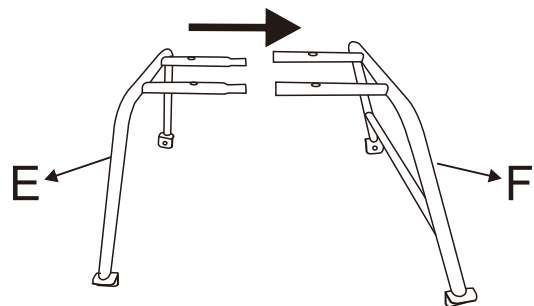
STEP2



STEP3



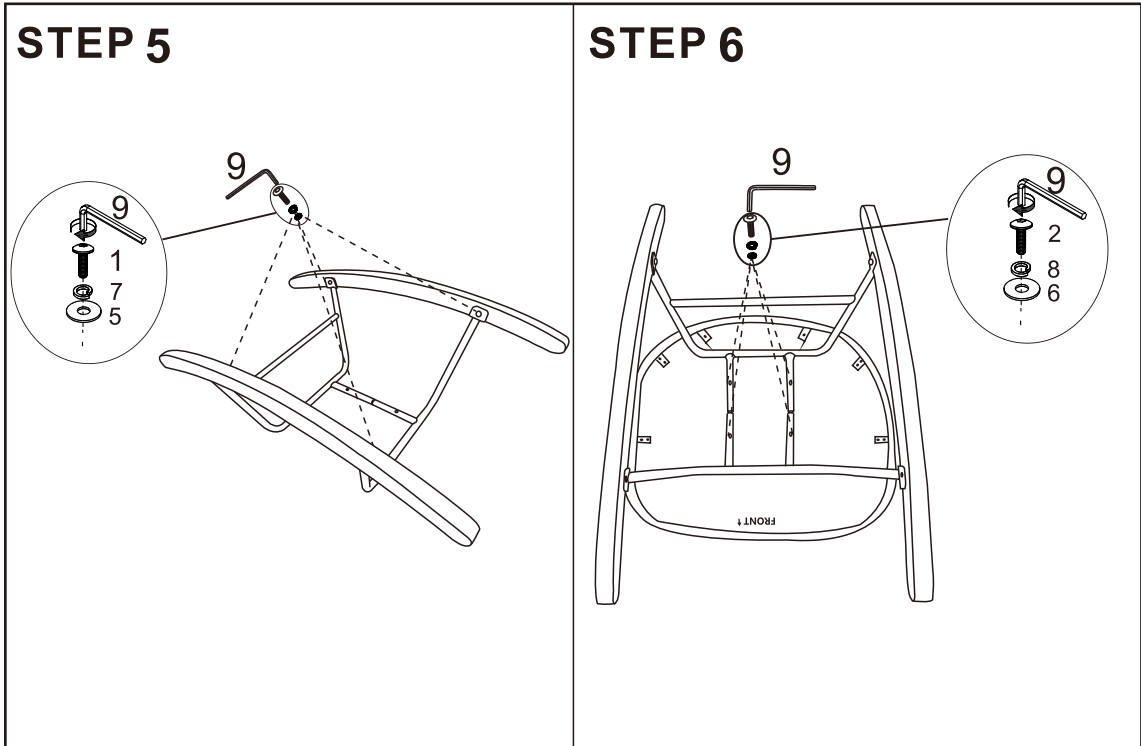
STEP4



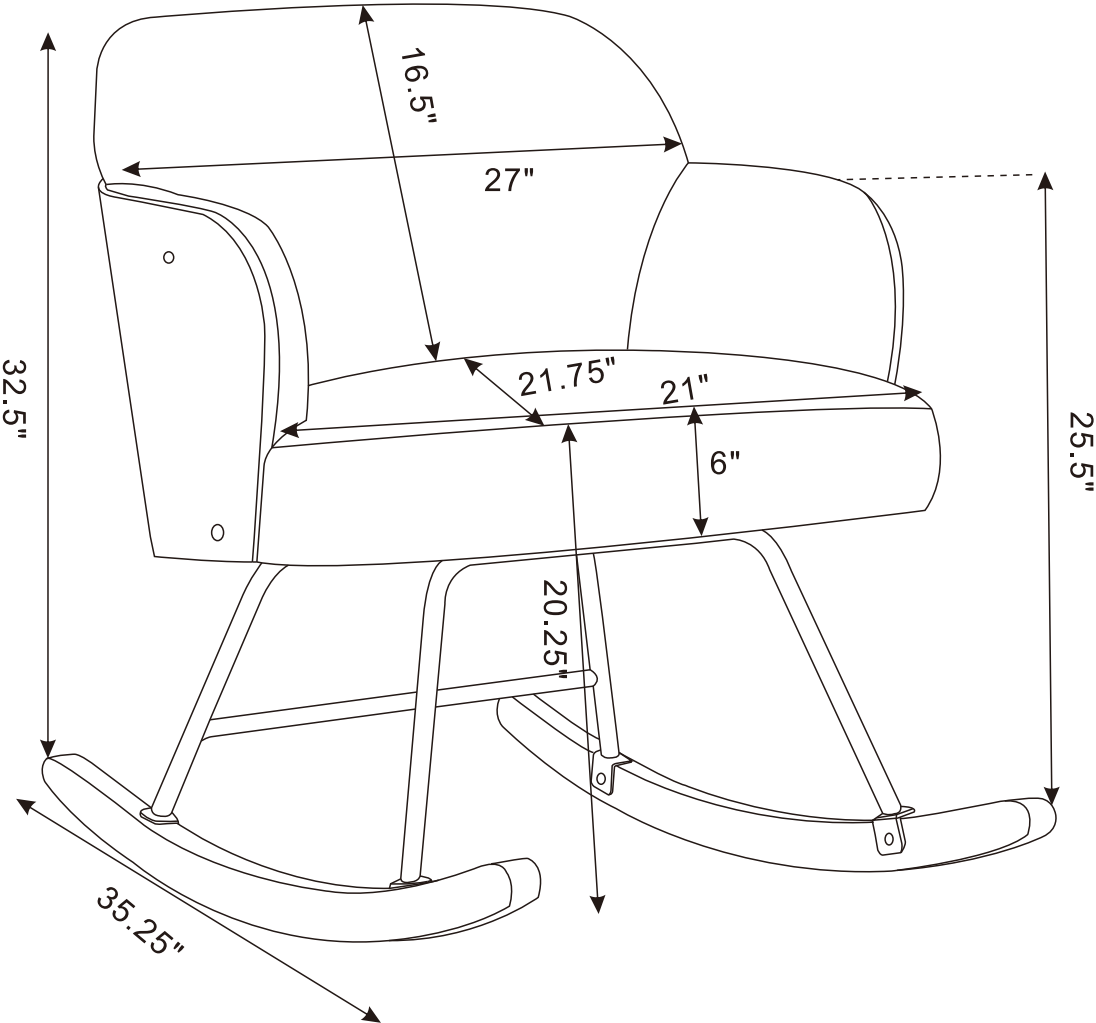
Note:

Please kindly note that Leg **E** is towards "Rear" direction, and Leg **F** is towards "Front" direction. Please insert **E** into **F** to combine them together.

ITEM : 602626
ASSEMBLY INSTRUCTIONS



ITEM : 602626
ASSEMBLY INSTRUCTIONS



Note:Dimension tolerance±5%