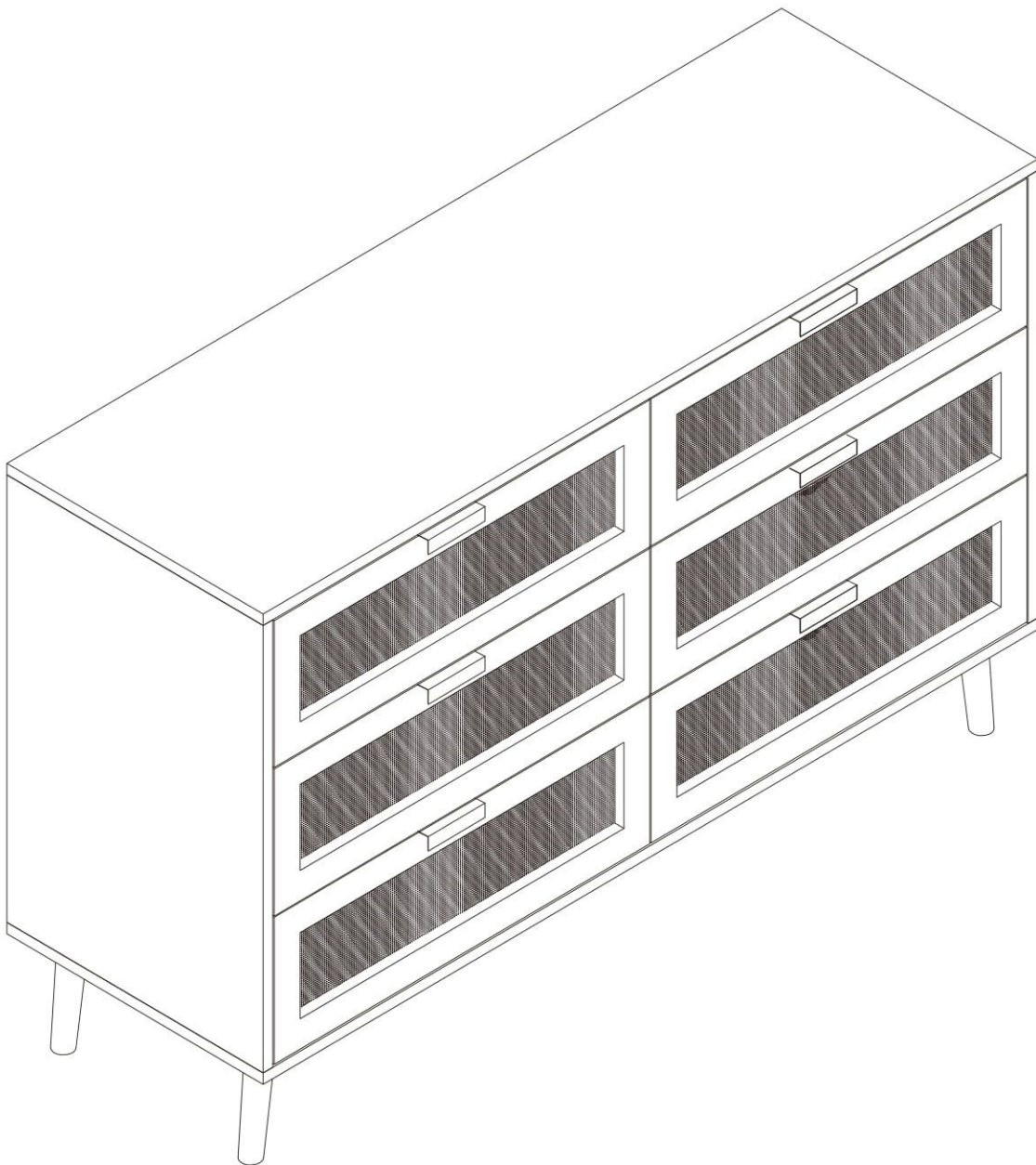


Instruction



Upon receiving the product, you're encouraged to reach out to our customer service team for an installation video. This resource can significantly expedite the installation process for you. We're committed to ensuring a smooth and efficient setup for your product. If you have any queries or need further assistance, please don't hesitate to contact our customer service representatives.



WARNING!

Furniture tipping over can result in serious or fatal crush injuries. To mitigate the potential hazard of tipping, this product is equipped with an anti-tip device, the installation of which should be imperative in strict adherence to the provided instructions. We encourage you to reach out to us without hesitation should you require any explanations regarding this product or the accompanying anti-tip device.

Supplementary to the installation of restraints for the prevention of tip-overs, kindly observe the following guidelines:

1. Don't allow children to ascend or suspend themselves from furniture pieces, including drawers and cabinet doors.
2. Avoid placing televisions or other weighty objects atop this product.
3. Exercise caution by refraining from using the product as a platform for standing.

Furniture tipping over can result in serious or fatal crush injuries. To effectively mitigate the risk of furniture tipping over, please adhere to the following precautions:

- Ensure the installation of the supplied anti-tip device.
- Don't place televisions on this product.
- Exercise vigilance in preventing children from standing, climbing, or hanging on drawers, doors, or shelves.
- Avoid simultaneously opening multiple drawers.
- Distribute heavier items within the bottom drawer.
- Preserve the integrity of the drawer interlock system by refraining from damaging or removing it.

! WARNING	
	<p>Children have died from furniture tipover. To reduce the risk of furniture tipover:</p> <ul style="list-style-type: none">● ALWAYS install tipover restraint provided.● NEVER put a TV on this product.● NEVER allow children to stand, climb or hang on drawers, doors, or shelves.● NEVER open more than one drawer at a time.● Place heaviest items in the lowest drawers.● Do not defeat or remove the drawer interlock system.
	<p><i>This is a permanent label. Do not remove!</i></p>



IMPORTANT INFORMATION
PLEASE READ CAREFULLY
KEEP THIS INFORMATION FOR FURTHER REFERENCE

GENERAL GUIDELINES

Please carefully read and follow the instructions provided below proper usage of this product. It is advised to retain this manual and pass it along if the product is transferred to another user. Please note that this summary might not cover all variations and details. For additional information and assistance, do not hesitate to get in touch with our professional customer service team.

NOTES

- Adhere closely to the assembly instructions and utilize the product solely for its intended purpose.
- If an odor is detected upon opening the package, allow the product to ventilate in a cool and well-ventilated area for several days.
- Prior to assembly, thoroughly inspect the product for any defects or missing components. If any issues are observed, avoid using the product to prevent potential damage or injury. Instead, reach out to us for assistance and replacement.
- To ensure safe usage, it is recommended that you periodically check the bolts and connections of the product.
- During assembly, choose a soft, flat, and clean surface to prevent scratching or damaging the product.
- We recommend having two individuals participate in the assembly of this product.

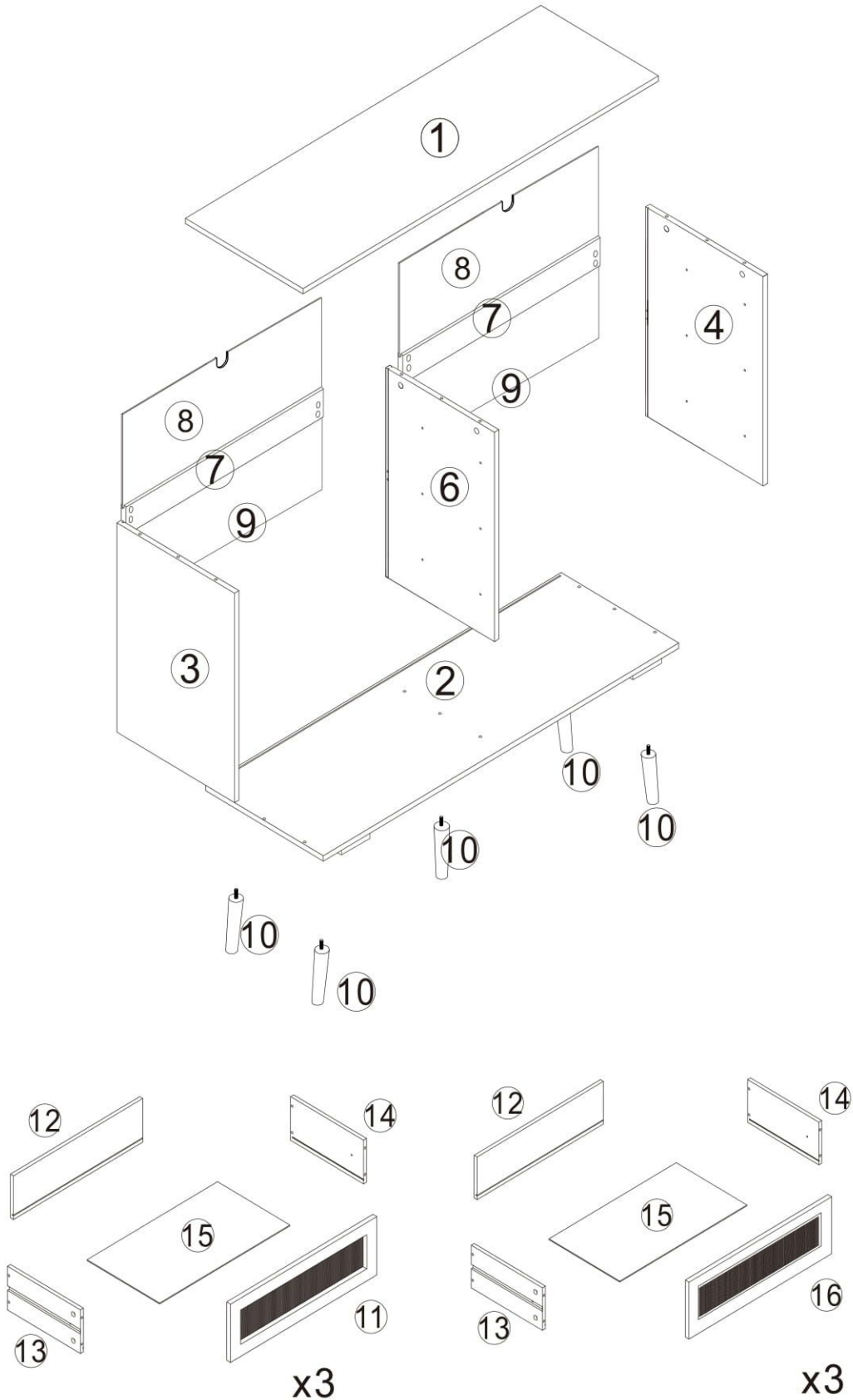
WARNINGS

- Throughout the assembly process, keep components and packaging materials out of reach of children and pets to avoid potential hazards such as injury or choking.
- Don't use sharp objects or corrosive substances that might harm the product.
- When unpacking the item, exercise caution to prevent pinching of metal joints, especially when children are present.

ANTI-TIP WARNING

- Furniture tipping over can result in serious or fatal crush injuries. To prevent this hazard, it is imperative to securely anchor the furniture to the wall using the provided anti-tip device.
- Different wall materials necessitate specific types of anti-tip devices. Failure to use the appropriate anti-tip device can lead to dangerous situations. For advice on suitable anti-tip devices, please consult your local specialist dealer.

Before beginning installation, kindly inspect the package to ensure that all accessories are present and undamaged. If you identify any missing or damaged accessories, please do not hesitate to reach out to our dedicated customer service team. We are committed to promptly arranging replacements for any affected components.



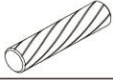














Fittings

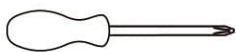
Please verify that you have all the listed accessories below:

NOTE: The quantities provided are sufficient to complete the assembly, and in some cases, there might be more accessories supplied than required.

Bag 1

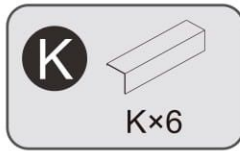
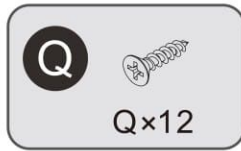
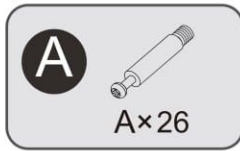
ITEM	PART	QTY	ITEM	PART	QTY
A		38 PCS	B		38 PCS
C		6 PCS	D		26 PCS
E		24 PCS	F		2 PCS
G		6 PCS	H		2 PCS
I		2 PCS	K		6 PCS
M		12 PCS	N		12 PCS
O		16 PCS	P		16 PCS
Q		12 PCS			

Tools required

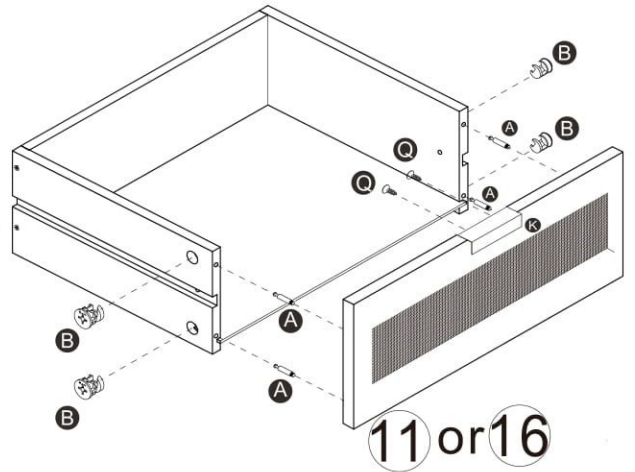
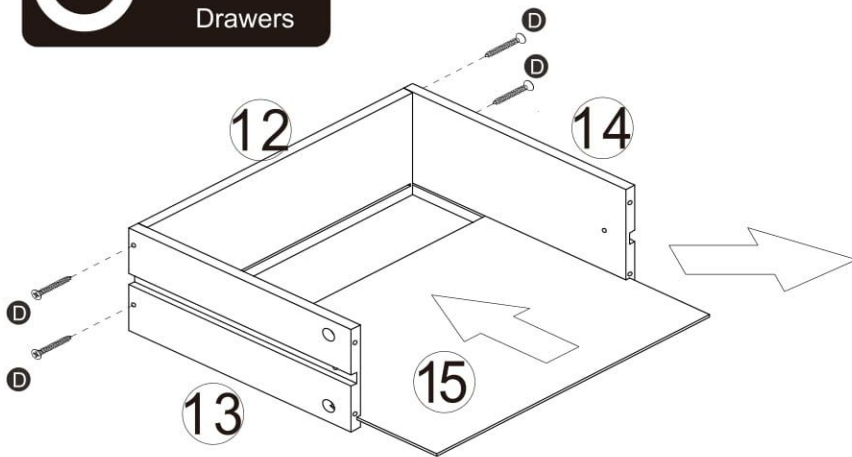


Phillips screwdriver
(small & medium)

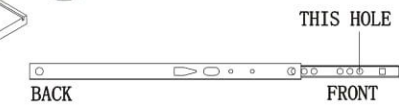
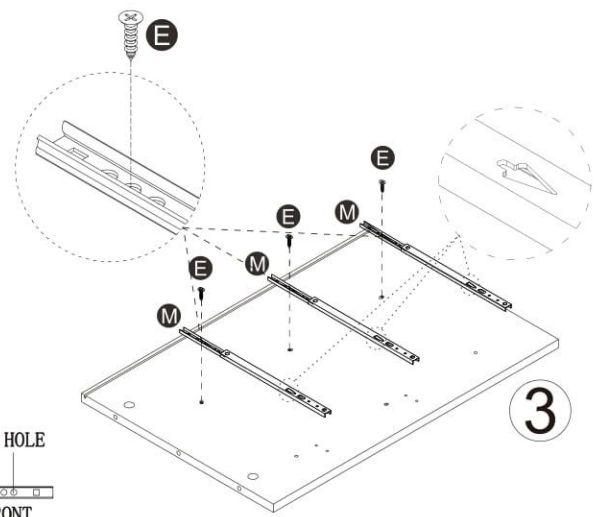
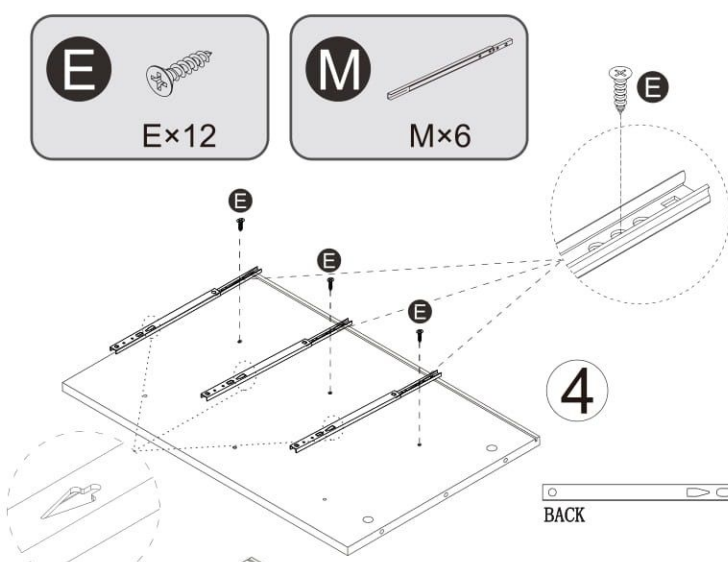
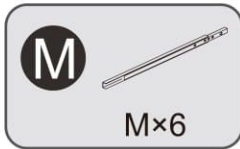
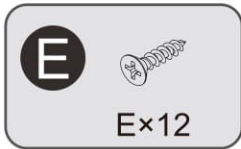
step 1



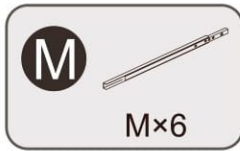
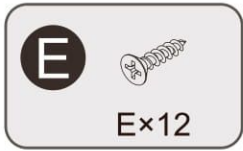
X6



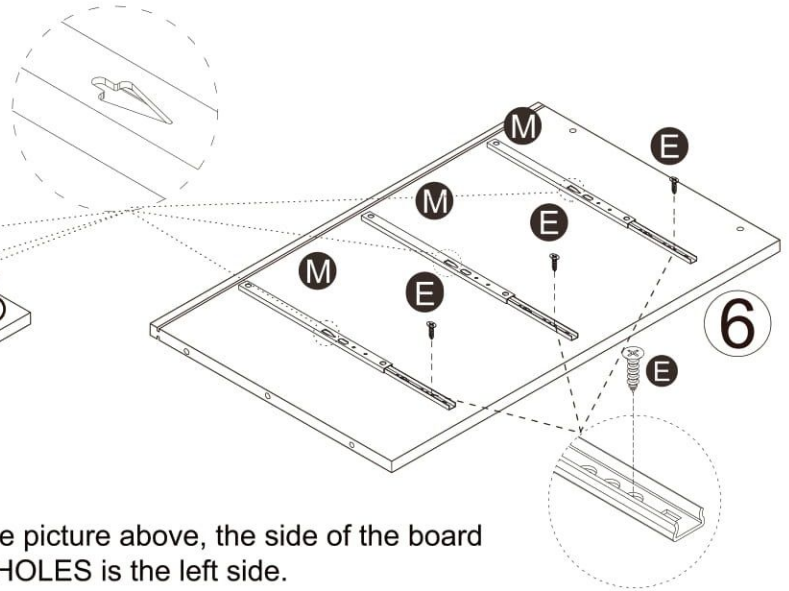
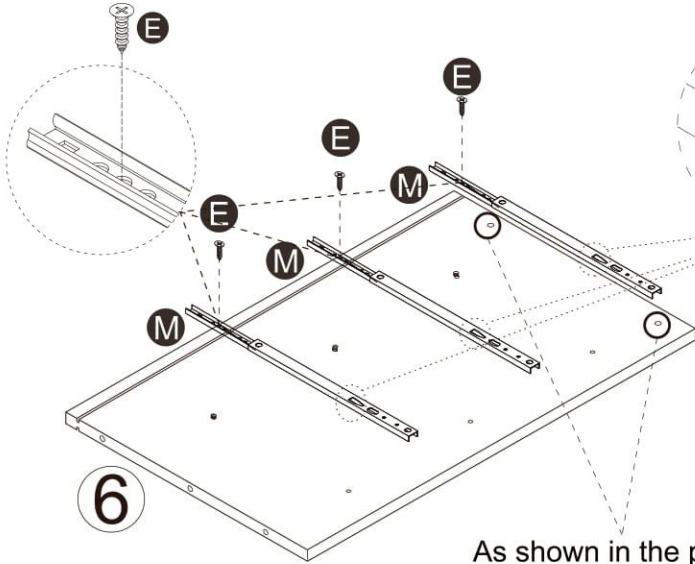
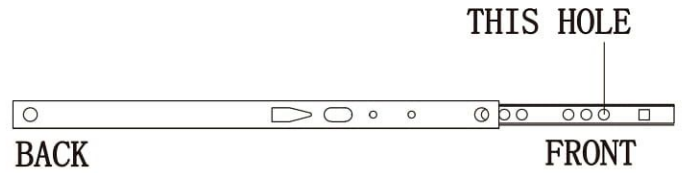
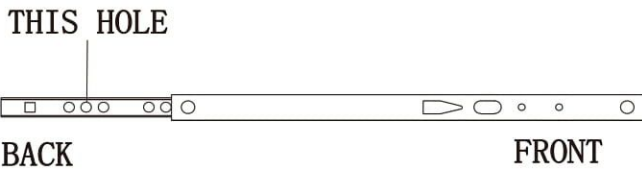
step 2



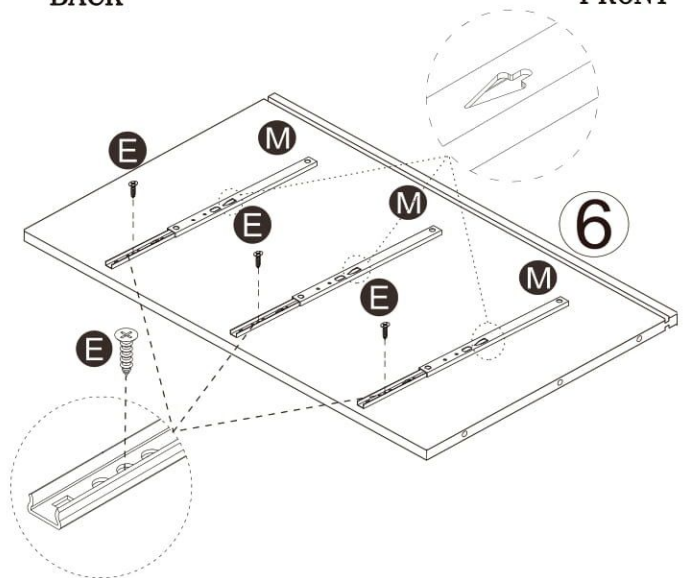
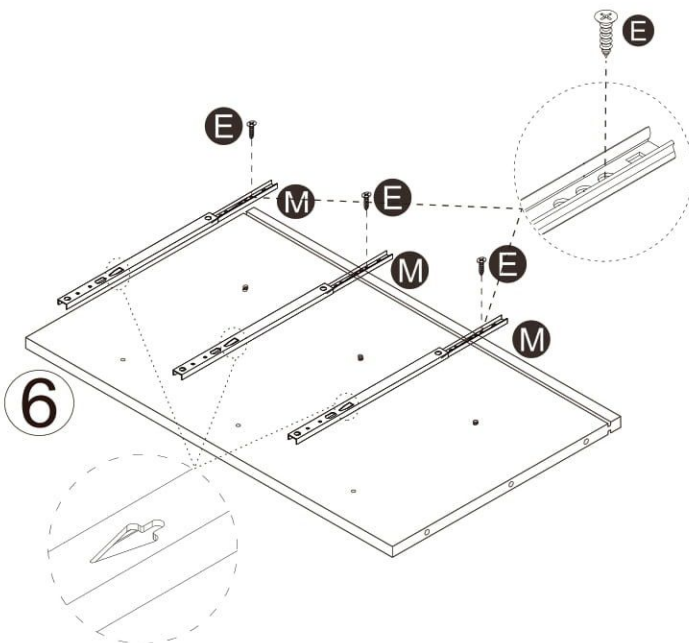
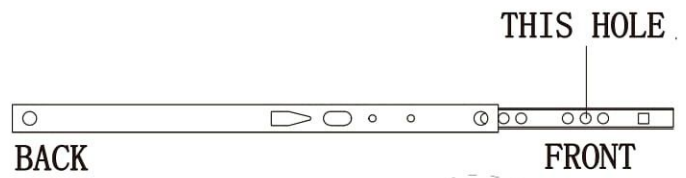
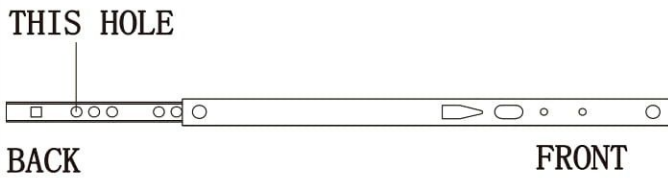
step 3



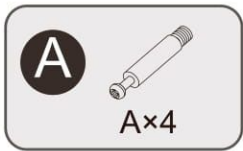
NOTE: Please pay attention to distinguishing the left and right direction of #6 board. The upper part is the right side to install #6 board, and the lower part is the left side.



As shown in the picture above, the side of the board with the TWO HOLES is the left side.

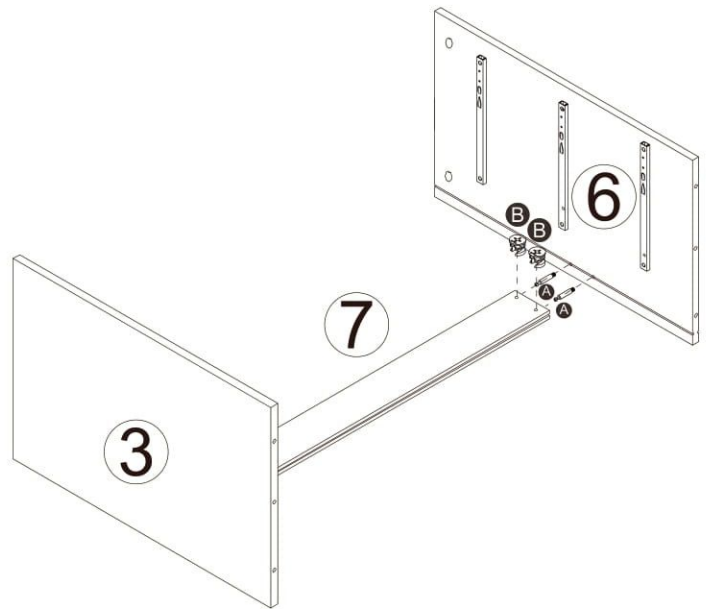
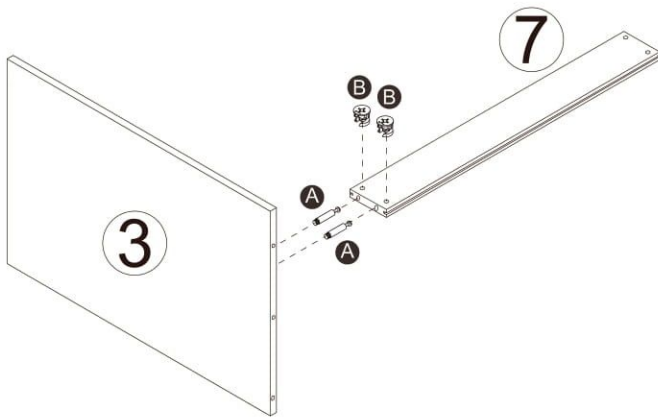


step 4

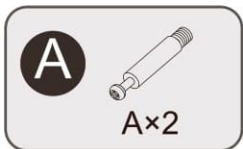


NOTE: In the next steps 4, 5, and 6, please pay attention to distinguish the direction of the board #3 and #4.

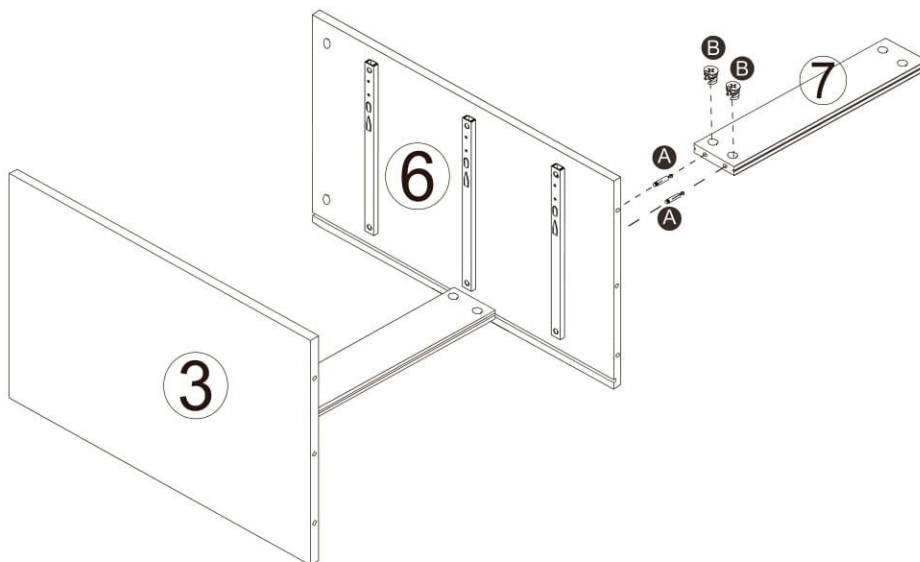
The #3 board is installed on the left side of the dresser, and the #4 board is installed on the right side.



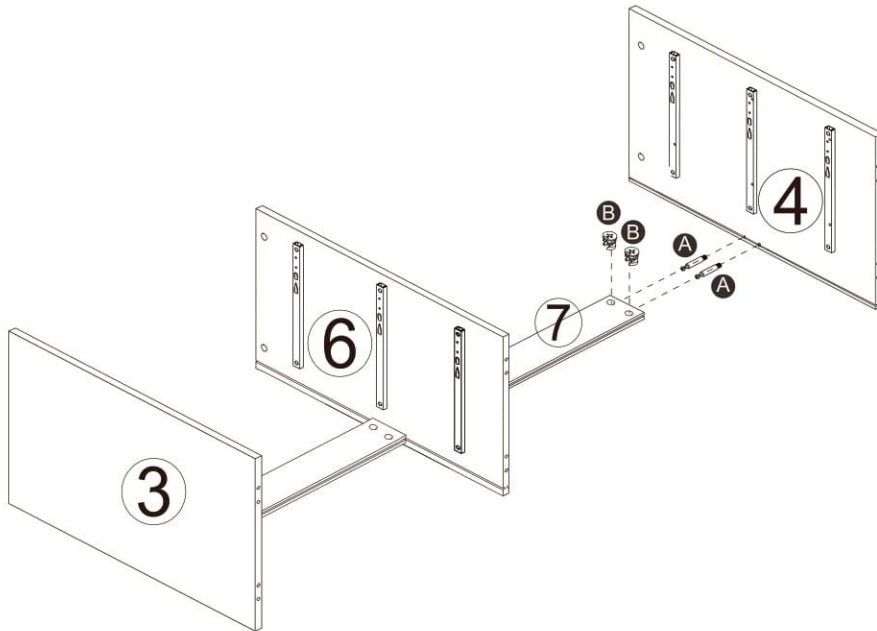
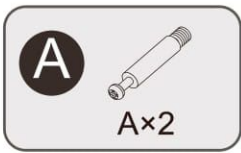
step 5



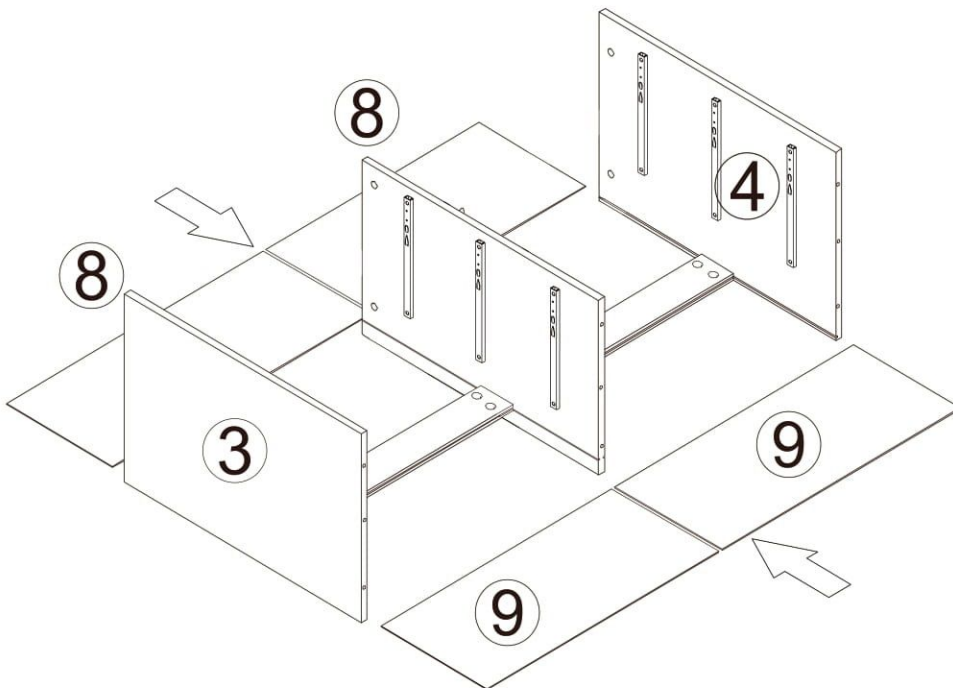
As shown in the picture above, the side of the board with the TWO HOLES is the right side.



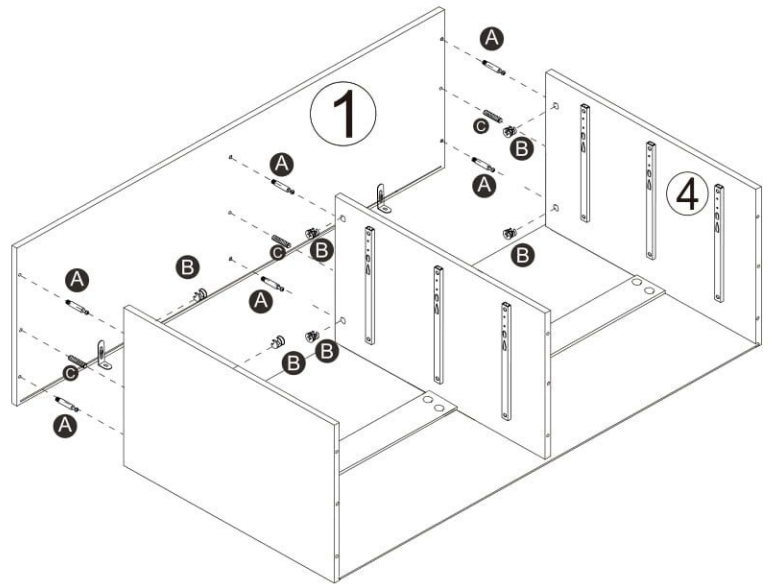
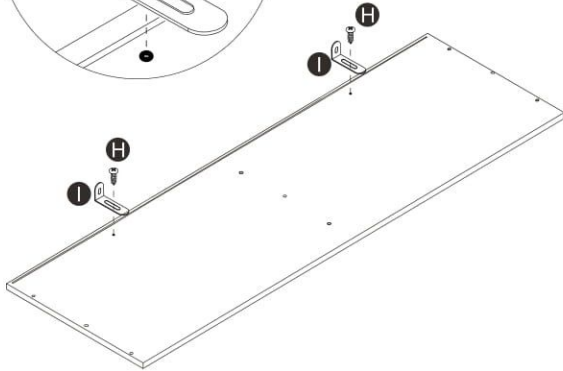
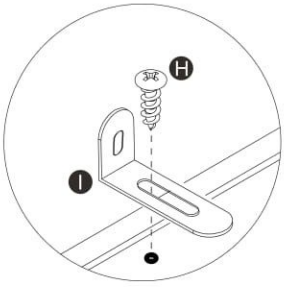
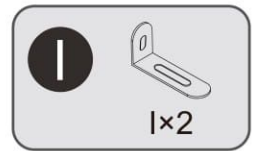
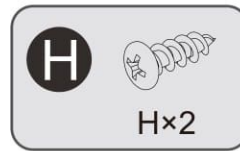
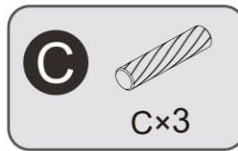
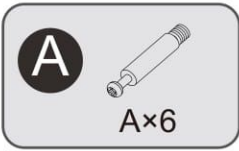
step 6



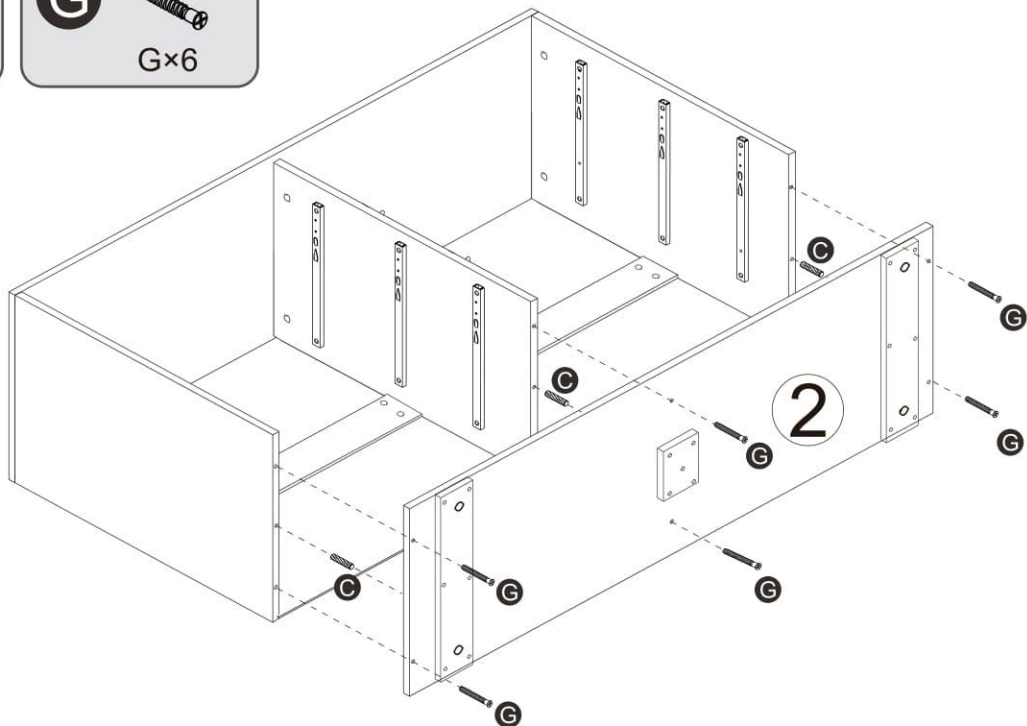
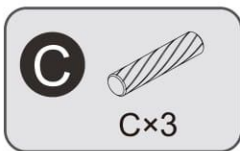
step 7



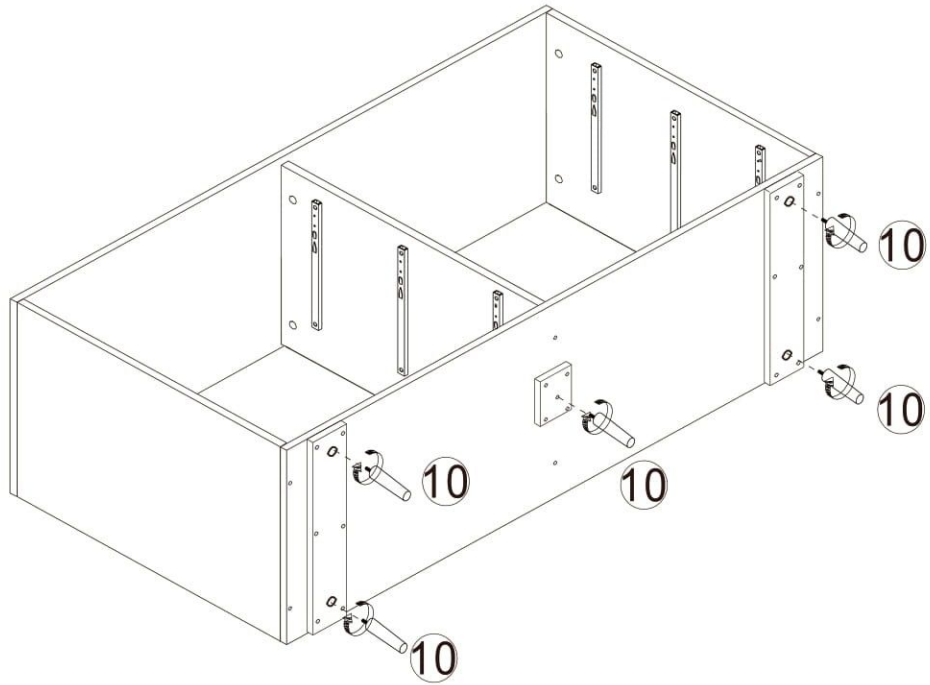
step 8



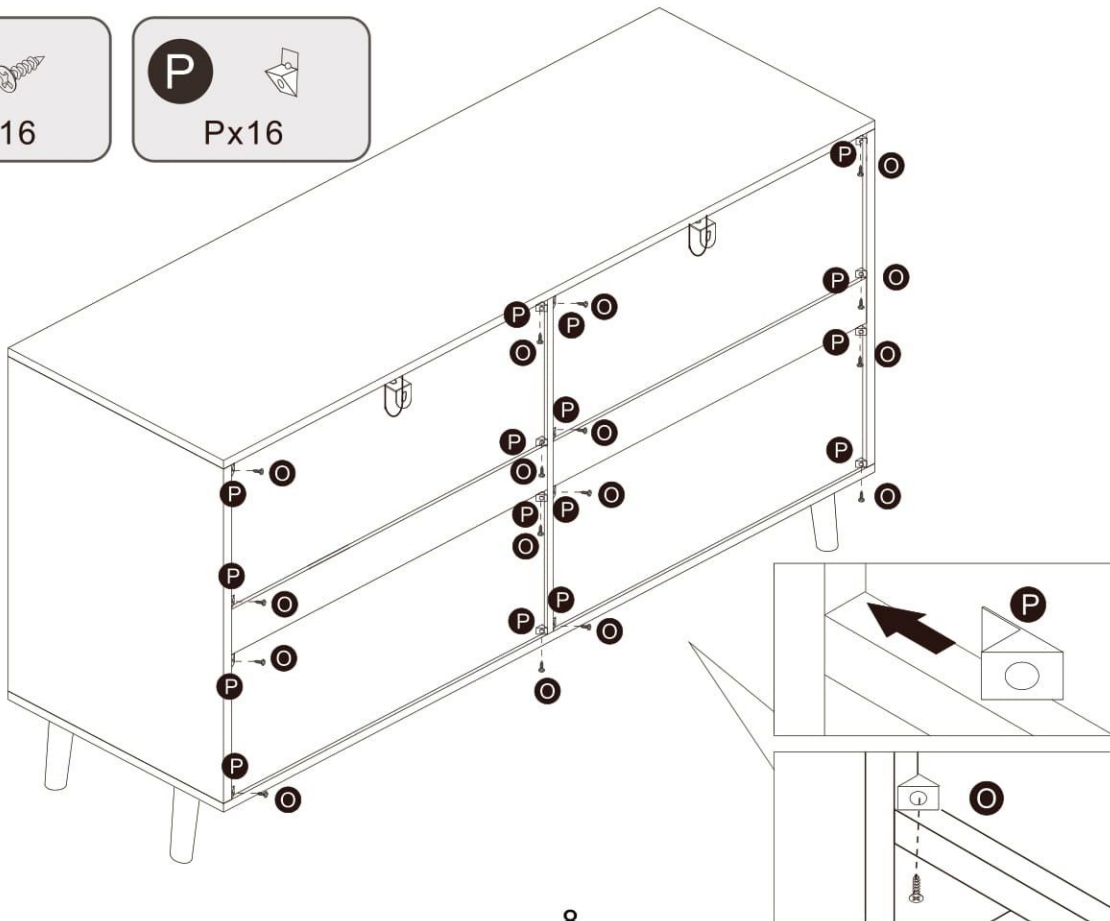
step 9



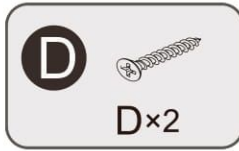
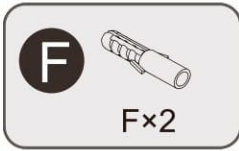
step 10



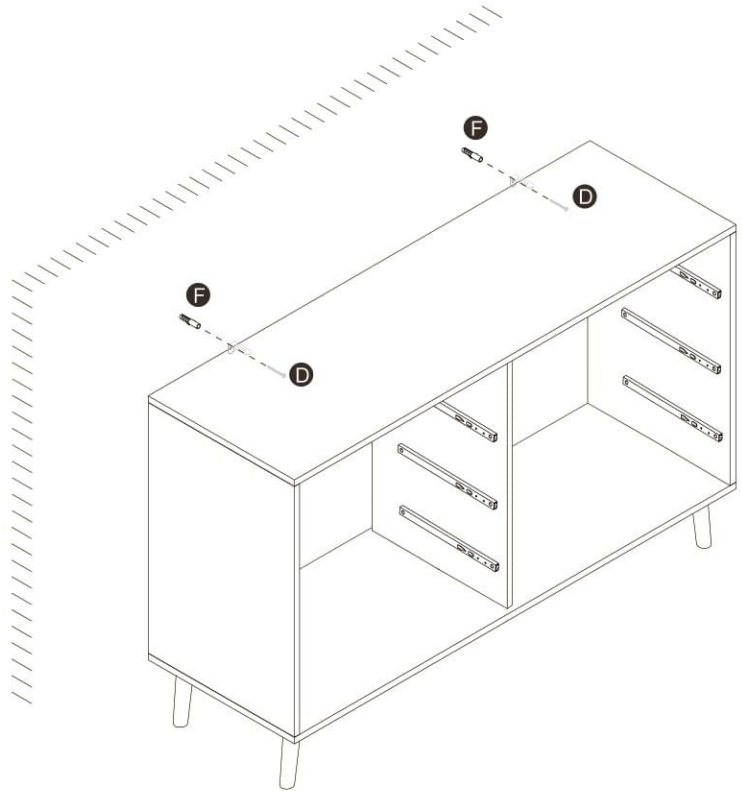
step 11



step 12



Important Note : Young children can be seriously injured by tipping furniture. You must install the tipping restraint hardware (included) with the unit to prevent the unit from tipping, causing any accidents or damage. The tipping restraints are intended only as a deterrent, they are not substitute for proper adult supervision. The tipping restraints are not earthquake restraints. If you wish to add the extra security of earthquake restraints, they must be purchased and installed separately.



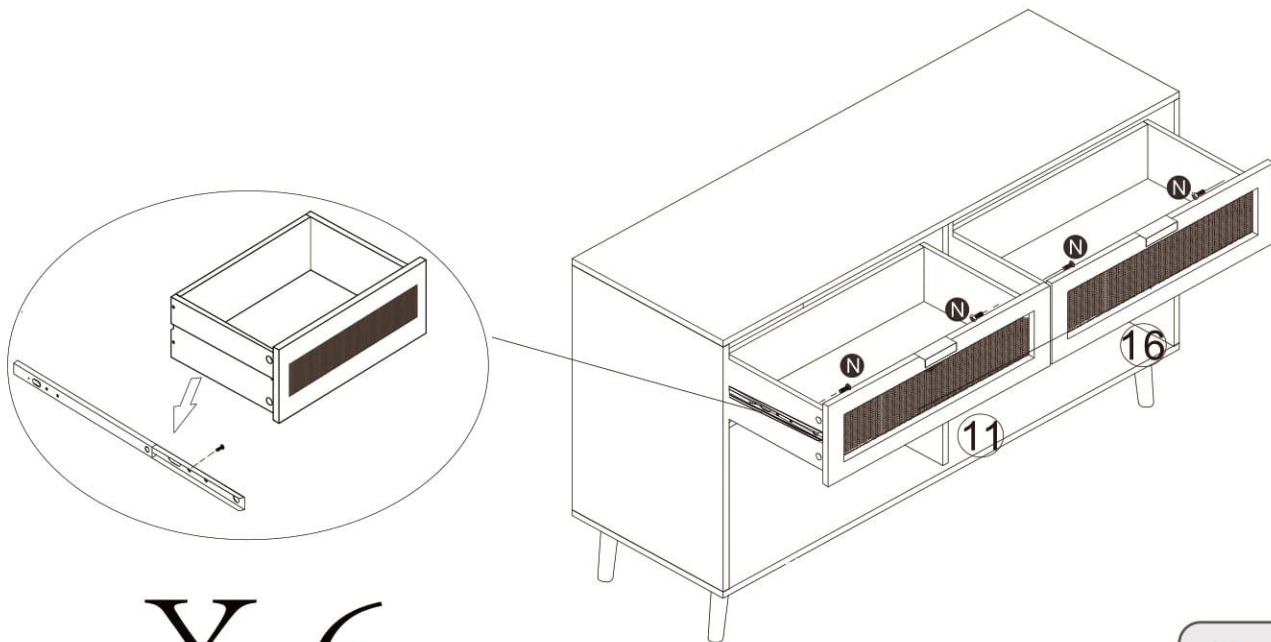
step 13



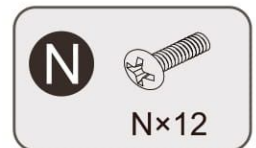
step 14

Note: Please pay attention to distinguishing the left and right directions of the drawer.

The #11 board is on the left side of the drawer, and the #16 board is on the right side.



X 6



step 15

Congratulations!!

You have successfully completed the assembly!

