



ISABELLA

ISABELLA STOOL

MAVENLANE.COM
 @mavenlanehome



ISABELLA STOOL



MAVEN LANE

ABOUT US

As unique individuals, we all have our own ways of expressing ourselves. Through expression, we open doors to new opportunities and communicate to the world.

At Maven Lane, we understand the profound impact that home design can have on personal expression. Our homes serve as our nests, reflecting our individual styles, personalities, and values. They are the spaces where we create meaningful memories and moments of comfort and peace.

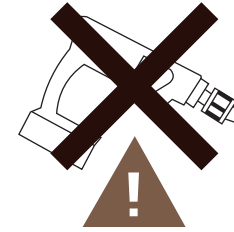
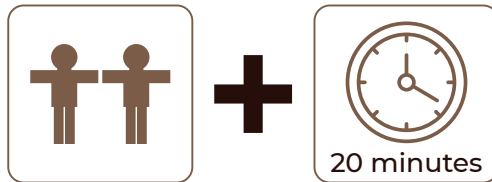
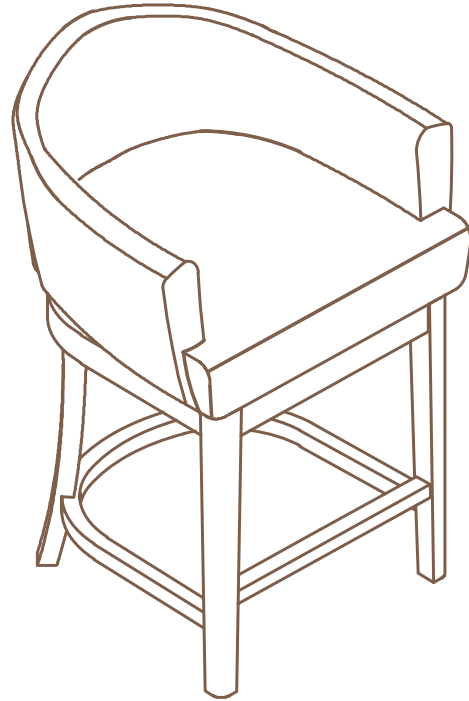
With this in mind, we set out to bring the finest in design, materials, and customer service directly to our customers, all at an attainable price point. Whether you're seeking to elevate your mornings with a cozy sanctuary or host laughter-filled dinners with loved ones, we are dedicated to helping you create a space that truly reflects who you are and what you aspire to be.

MAVENLANE.COM

 @mavenlanehome



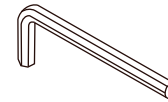
ASSEMBLY INSTRUCTIONS



The use of power tools to assemble this product could lead to damage, making it unsafe

Please assemble on a clean, level surface to avoid damage and ensure proper assembly

Tools Required

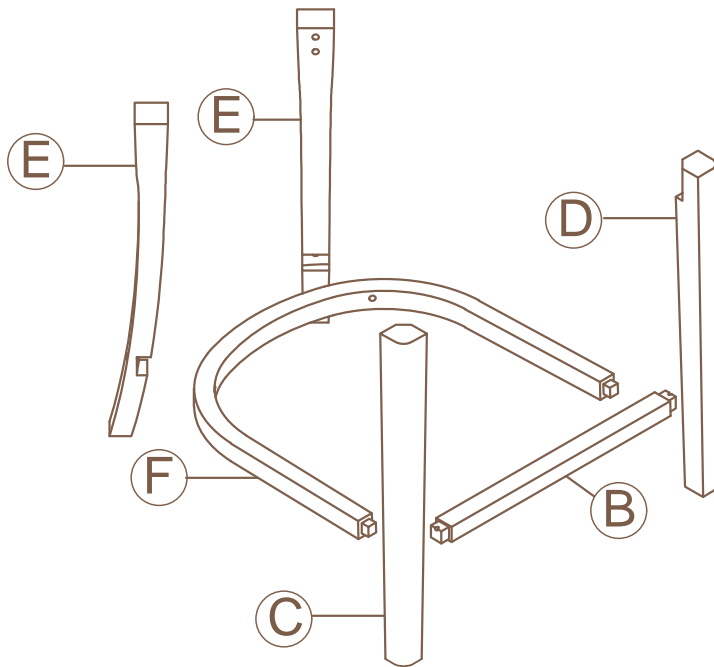
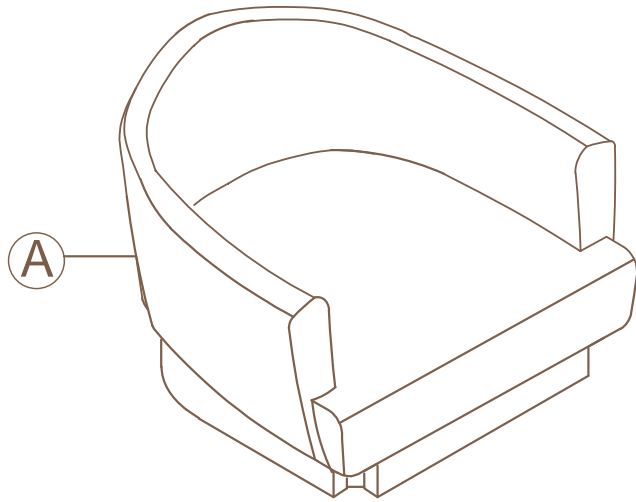



Allen Key
(included)




(unincluded)


PARTS LIST




Bolt
G  Qty 2
 Ø1/4"x38mm

Bolt
H  Qty 8
 Ø1/4"x55mm

Lock Washer
I  Qty 10
 Ø1/4"

Flat Washer
J  Qty 10
 Ø1/4"x16mm

Pan Head Screw
K  Qty 4
 #4x45mm

Allen key
L  Qty 1
 M4

Felt Pads
M  Qty 1

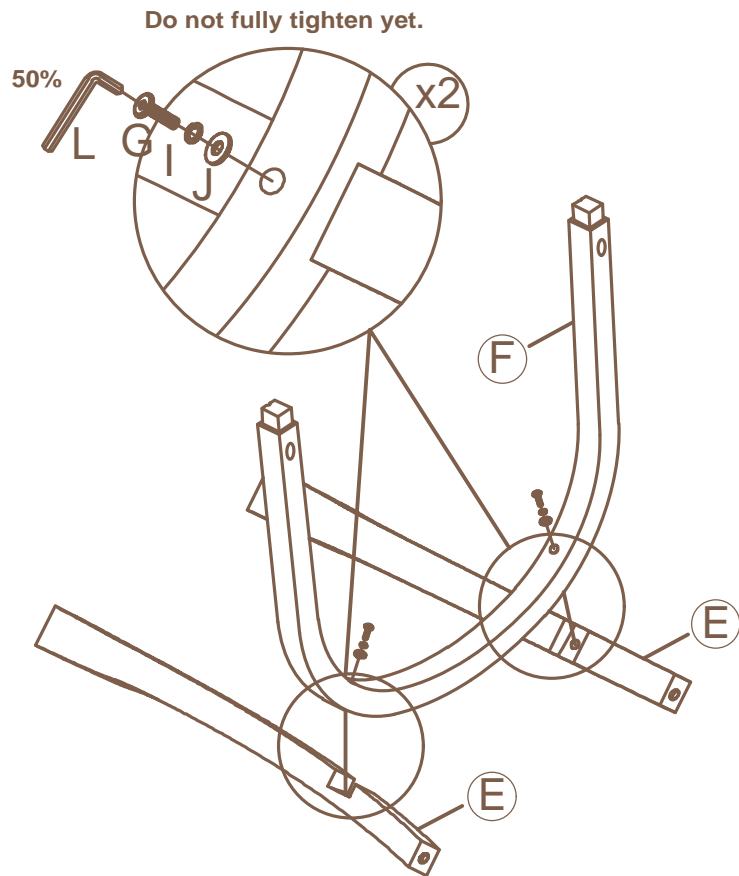
Scan for additional information



ASSEMBLY

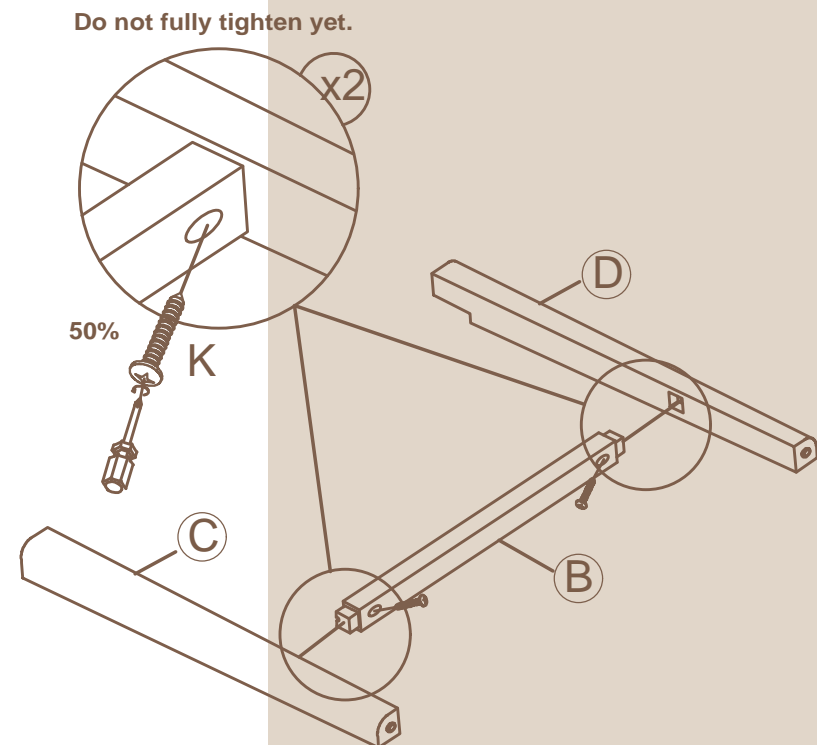
STEP 1

Attach stretcher (F) to 2 legs (E) with bolt (G), lock washer (I), flat washer (J) using allen key (L).



STEP 2

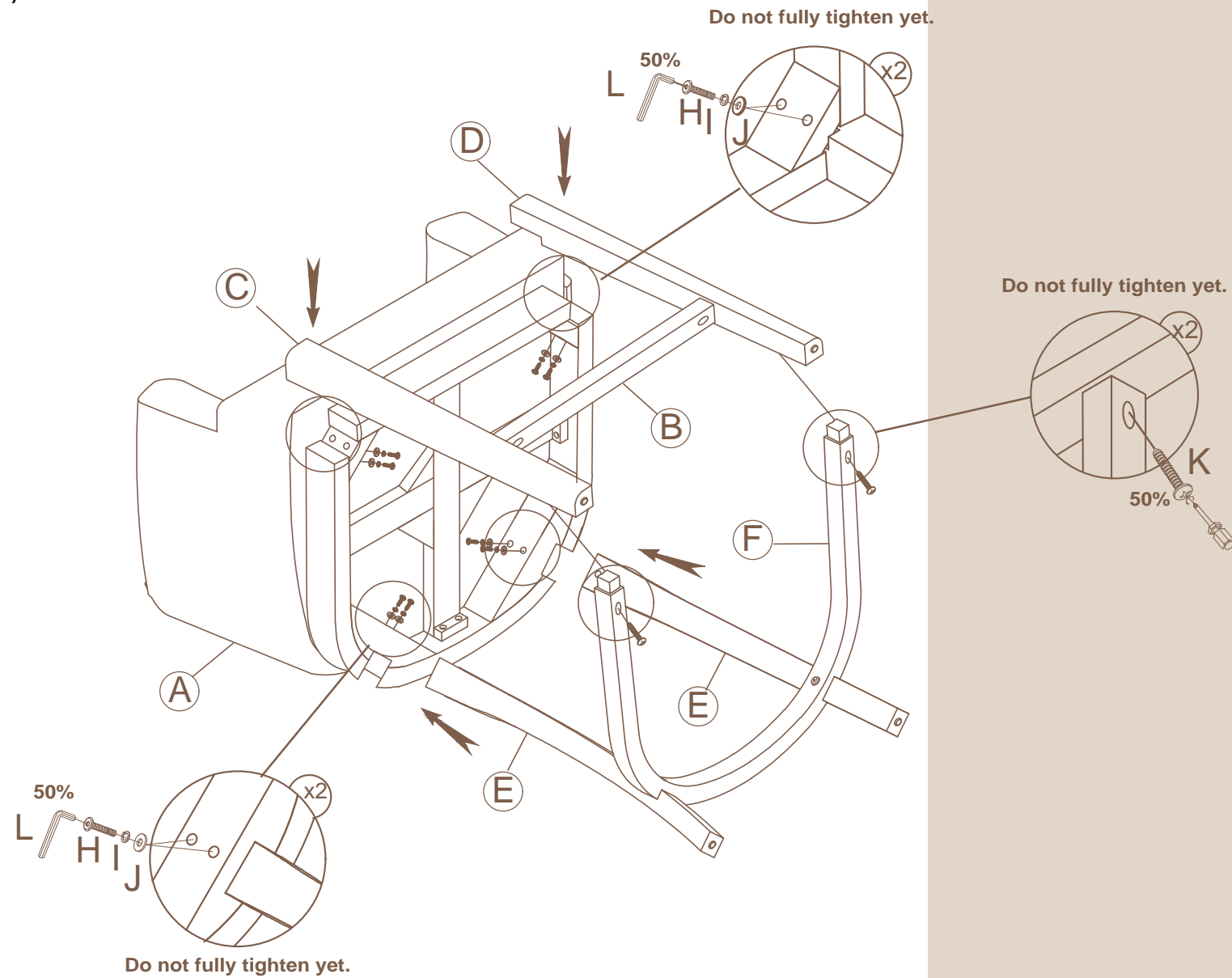
Attach stretcher (B) to 2 legs (C&D) with screw (K).



ASSEMBLY

STEP 3

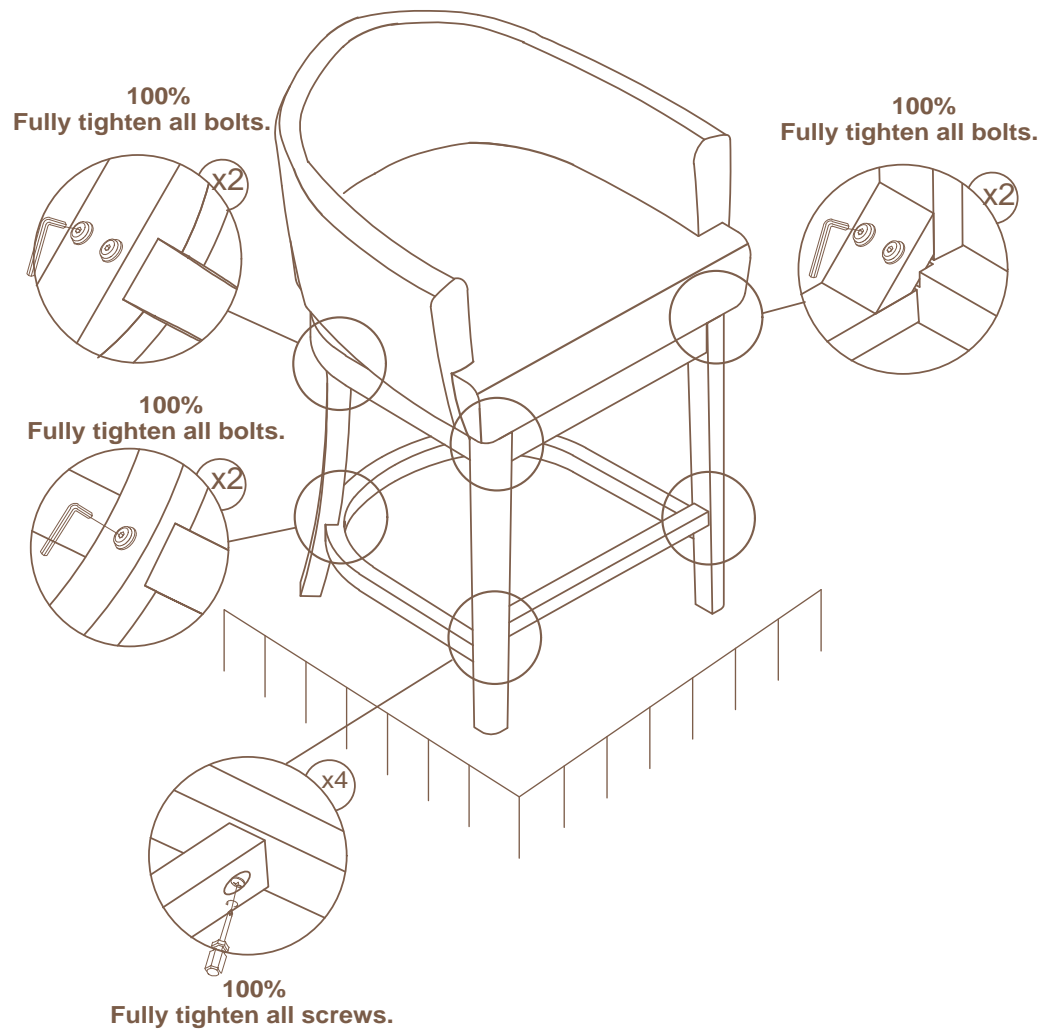
Attach leg frame (C B D) and leg frame (E F E) to seat frame (A) with bolt (H), lock washer (I), flat washer (J) using allen key (L). At the same time, attach leg frame (C B D) to leg frame (E F E) with screw (K).



ASSEMBLY

STEP 4

Face the chair on the flat surface then tighten all bolts and screws.



STEP 5: Felt Pad Application (optional)

1. Wipe any dust from the surface for best adhesion
2. Gently peel the felt pad from the paper
3. Firmly apply a felt pad to each of the feet

