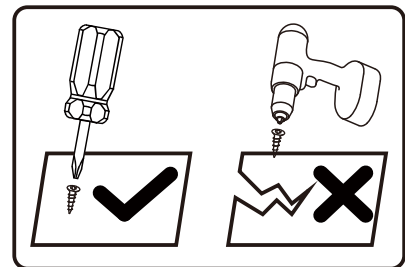
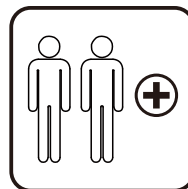
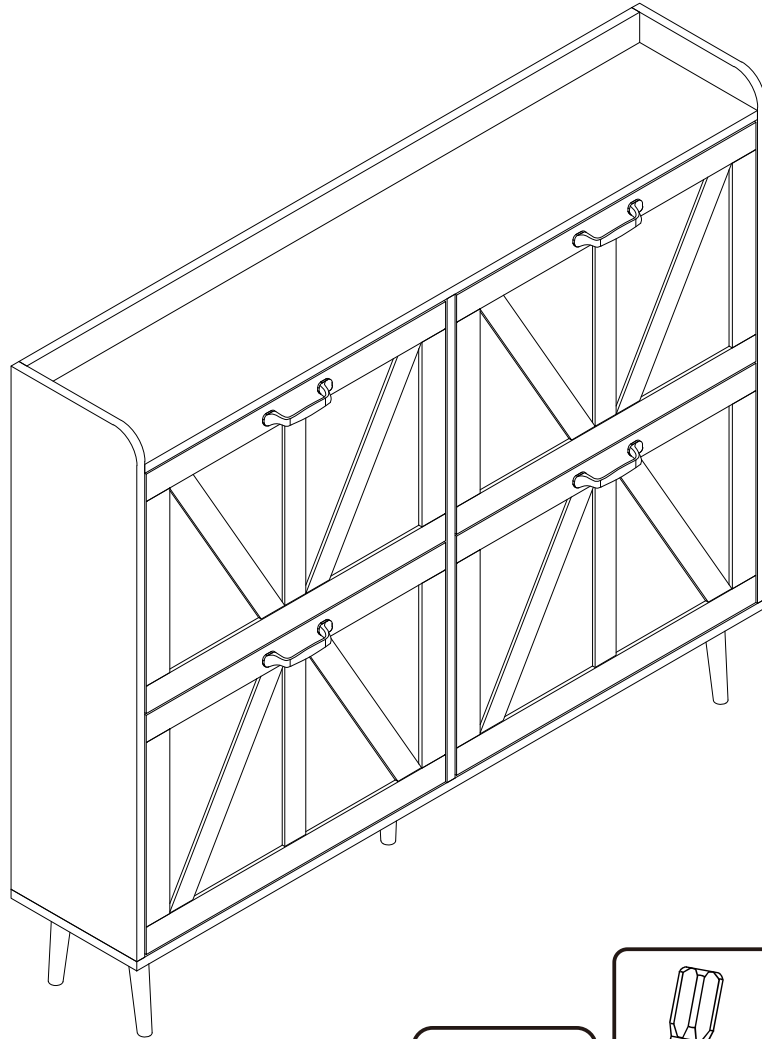


ASSEMBLY INSTRUCTIONS



Tools Recommended

THIS INSTRUCTIONS CONTAINS IMPORTANT SAFETY INFORMATION.
PLEASE READ BEFORE ASSEMBLY AND KEEP FOR FUTURE REFERENCE.

IMPORTANT NOTICE

-This product contains small components, please ensure that they are kept away from small children.

-THIS INSTRUCTIONS CONTAINS IMPORTANT SAFETY INFORMATION.
PLEASE READ BEFORE ASSEMBLY AND KEEP FOR FUTURE REFERENCE.

-Read each step carefully. It is very important that each step of instruction is performed in the correct order. If these steps are not followed in sequence, assembly difficulties will occur.

-Make sure all parts are included. Most parts are labelled or stamped on the raw edge.

-Work in spacious area, preferably on a carpet, near the place the unit will be used.

-Do not use power tools to assemble your furniture. Power tools may strip or damage the parts.

-Move your new furniture carefully, with two people lift and carry the unit to it's new location.

-Never push, drag or pull your furniture (especially on carpet)






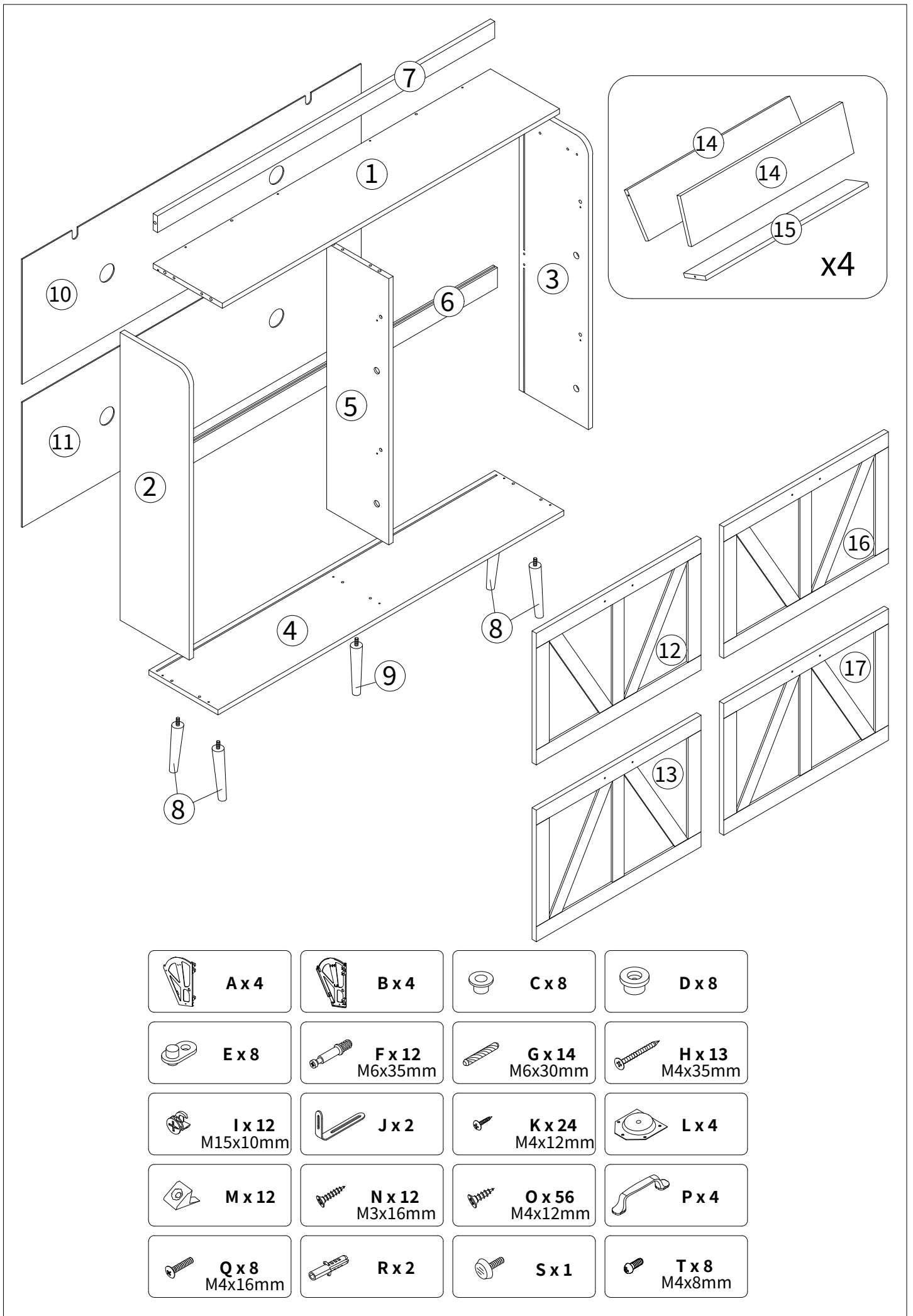
PLEASE DO NOT RETURN PRODUCT TO US IMMEDIATELY

If a part is missing or damaged, email our customer service.

We will gladly ship your replacement parts FREE of charge.

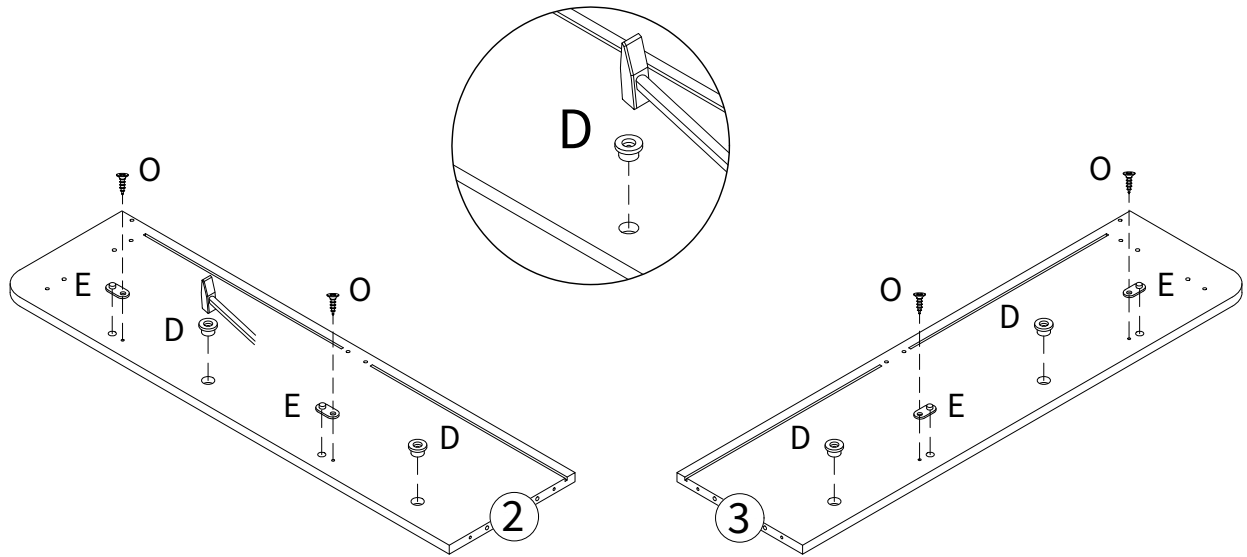
For Prompt, reliable service, please have your assemble instruction ready

 WARNING	
	Children have died from furniture tipover. To reduce the risk of furniture tipover: <ul style="list-style-type: none">• ALWAYS install anti-tip device provided.• NEVER put a TV on this product.• NEVER allow children to stand, climb or hang on any drawers, doors, or shelves.• NEVER open more than one drawer at a time.• Place heaviest items in the lowest drawers.
	<p>This is a permanent label. Do not remove!</p>



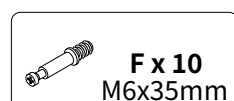
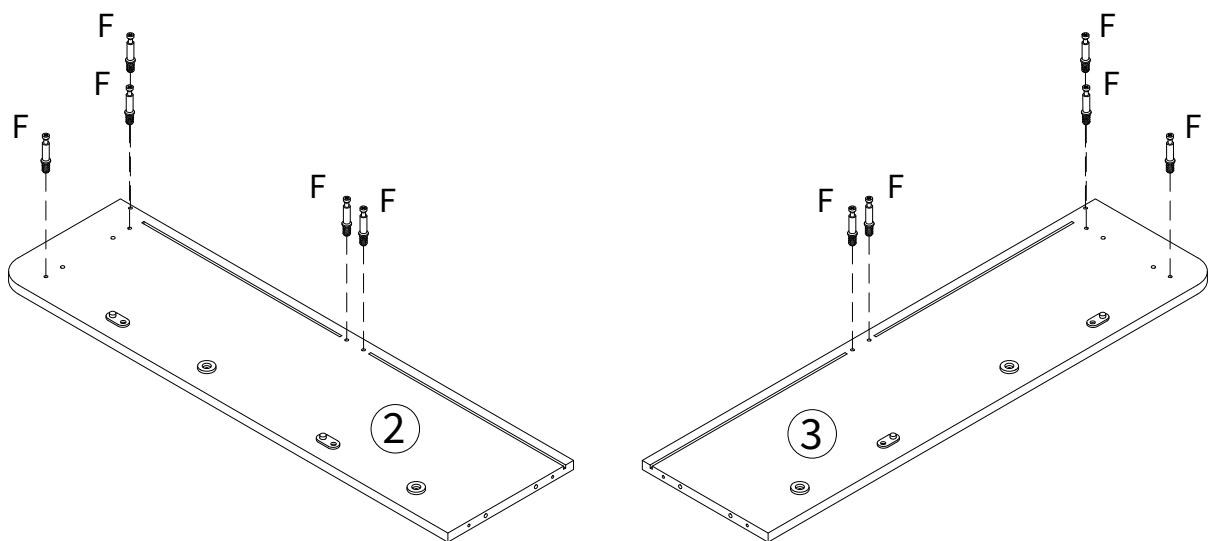
Step 1

First use hammer to fix part (D) to panel ② and ③, and then use screw (O) to lock part (E) to them, positions as shown below.



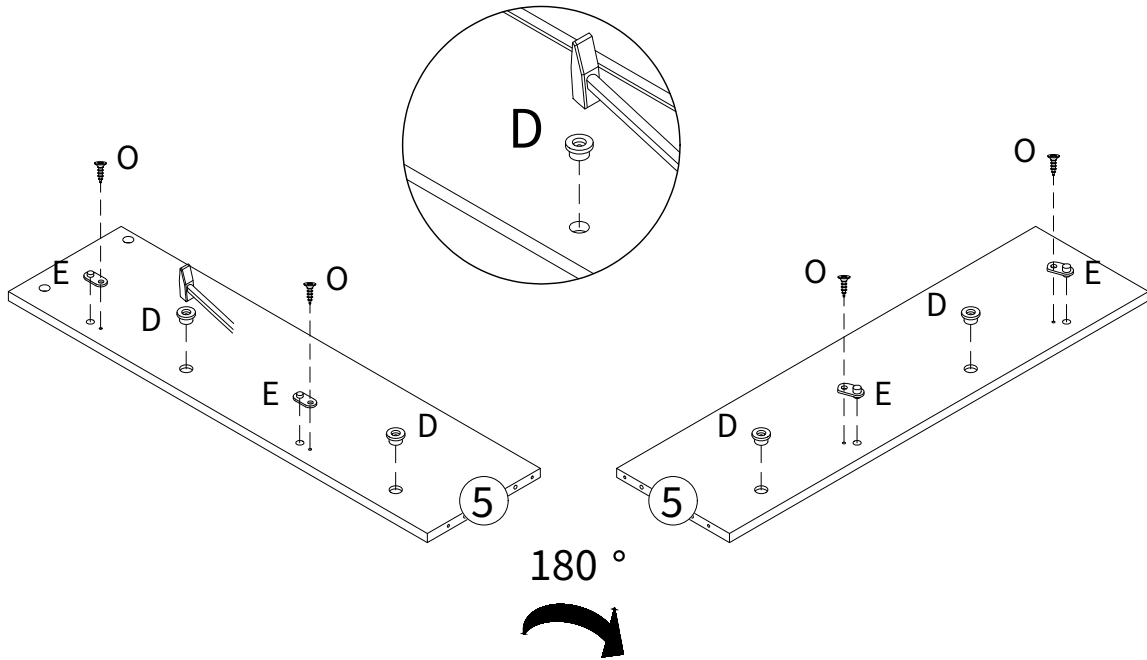
Step 2

Lock part (F) into panel ② and ③, positions as shown below.



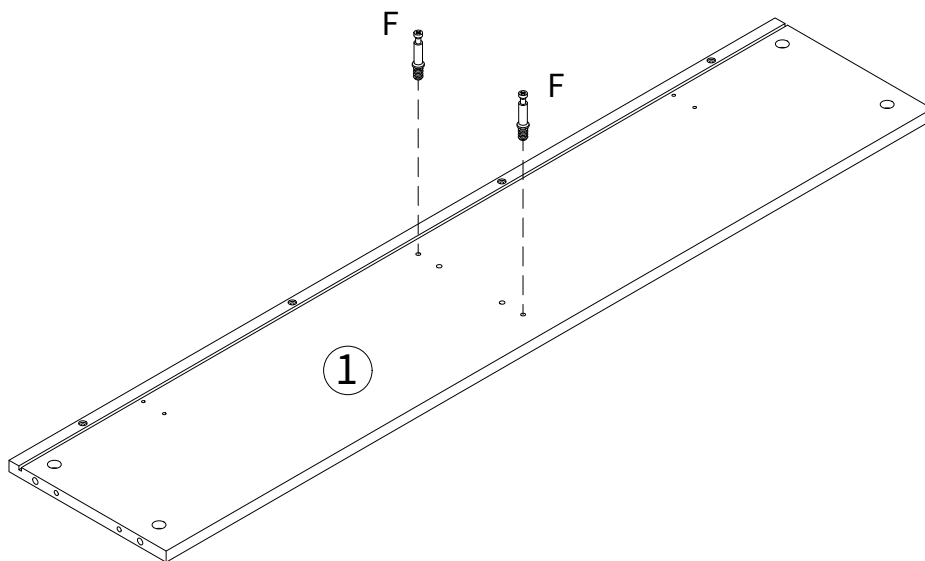
Step 3

Use hammer to fix part (D) to panel ⑤, and then use screw (O) to lock part (E) to the positions as shown below. Turn the panel 180° and do the same again on the other side.



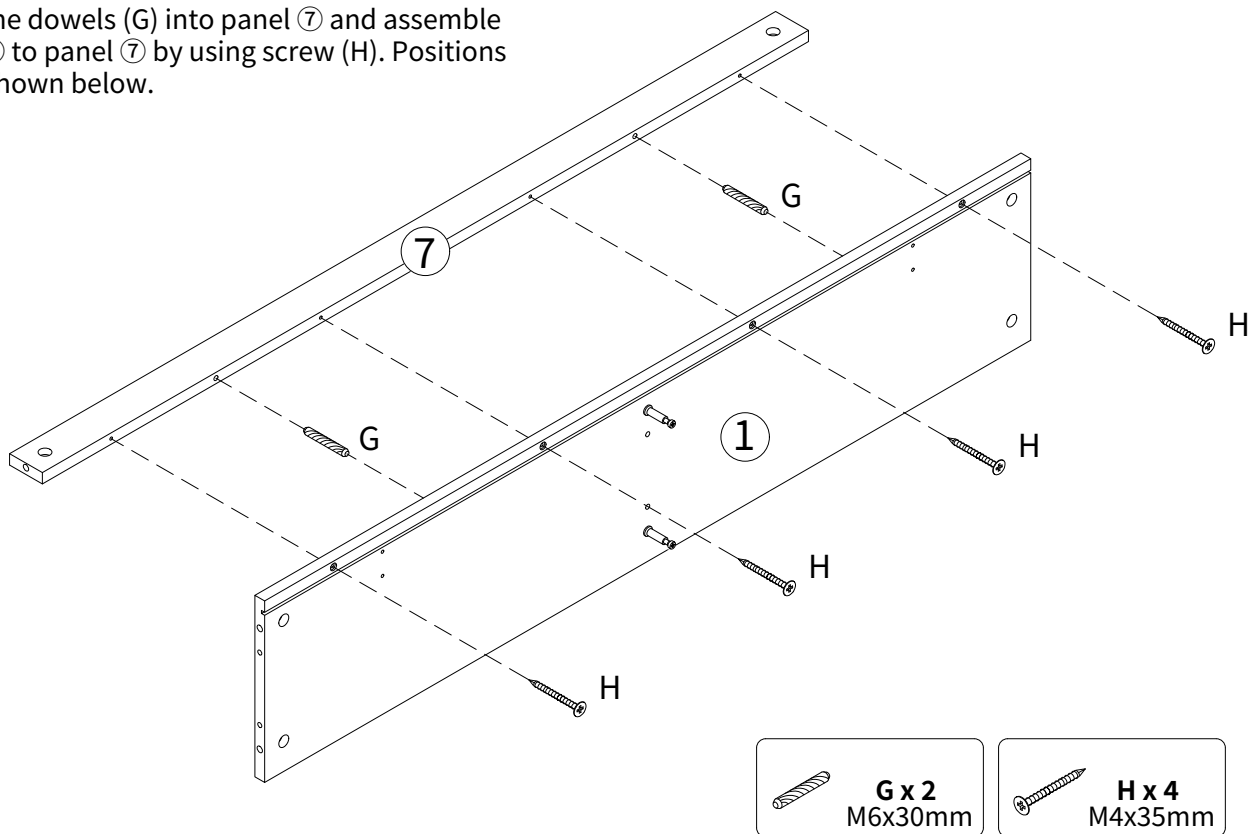
Step 4

Lock part (F) into panel ①, positions as shown below.



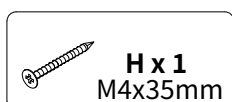
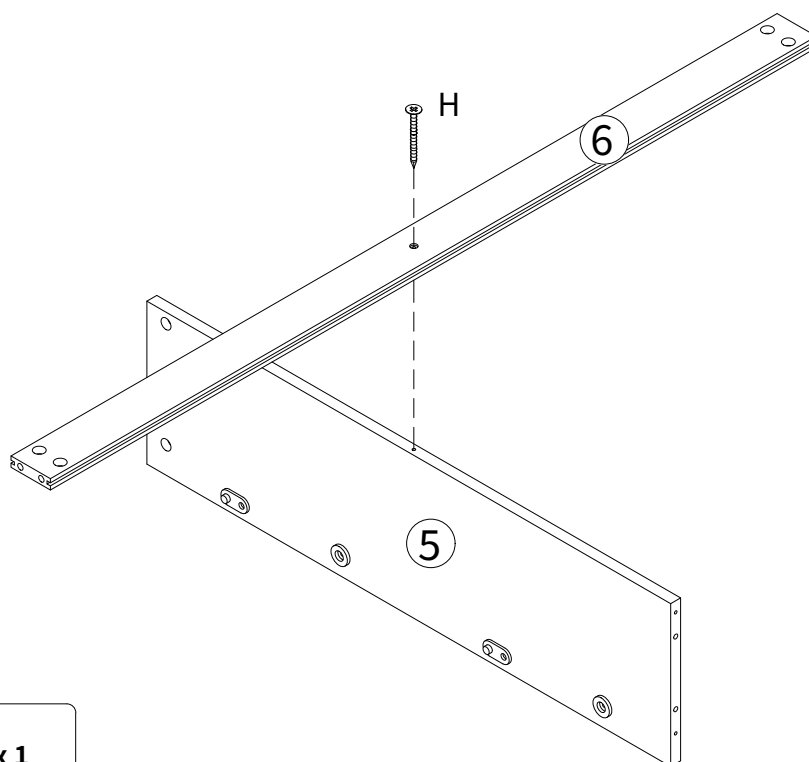
Step 5

Insert the dowels (G) into panel ⑦ and assemble panel ① to panel ⑦ by using screw (H). Positions are as shown below.

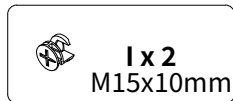
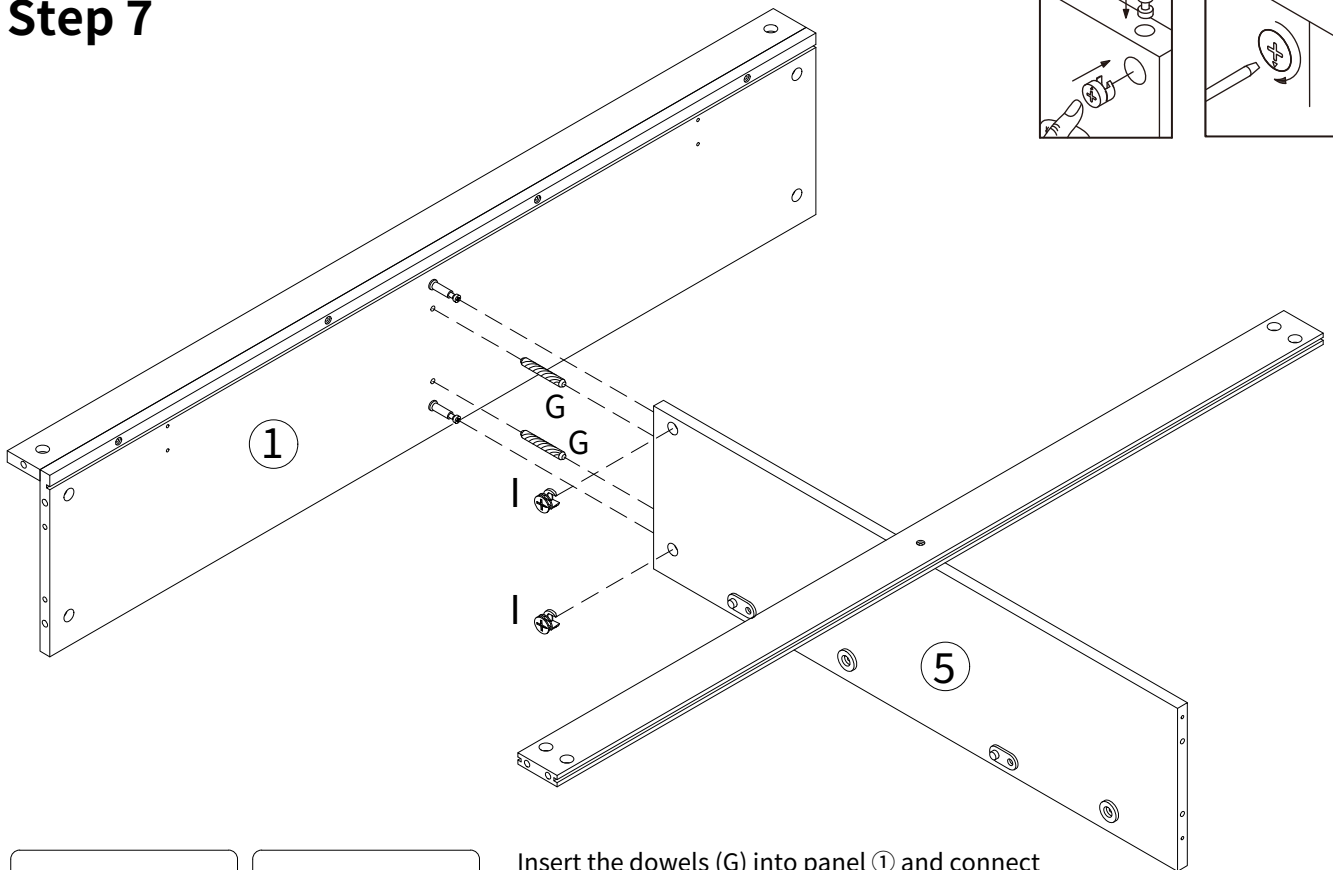


Step 6

Use screw (H) to lock panel ⑥ to panel ⑤. Positions are as shown below.

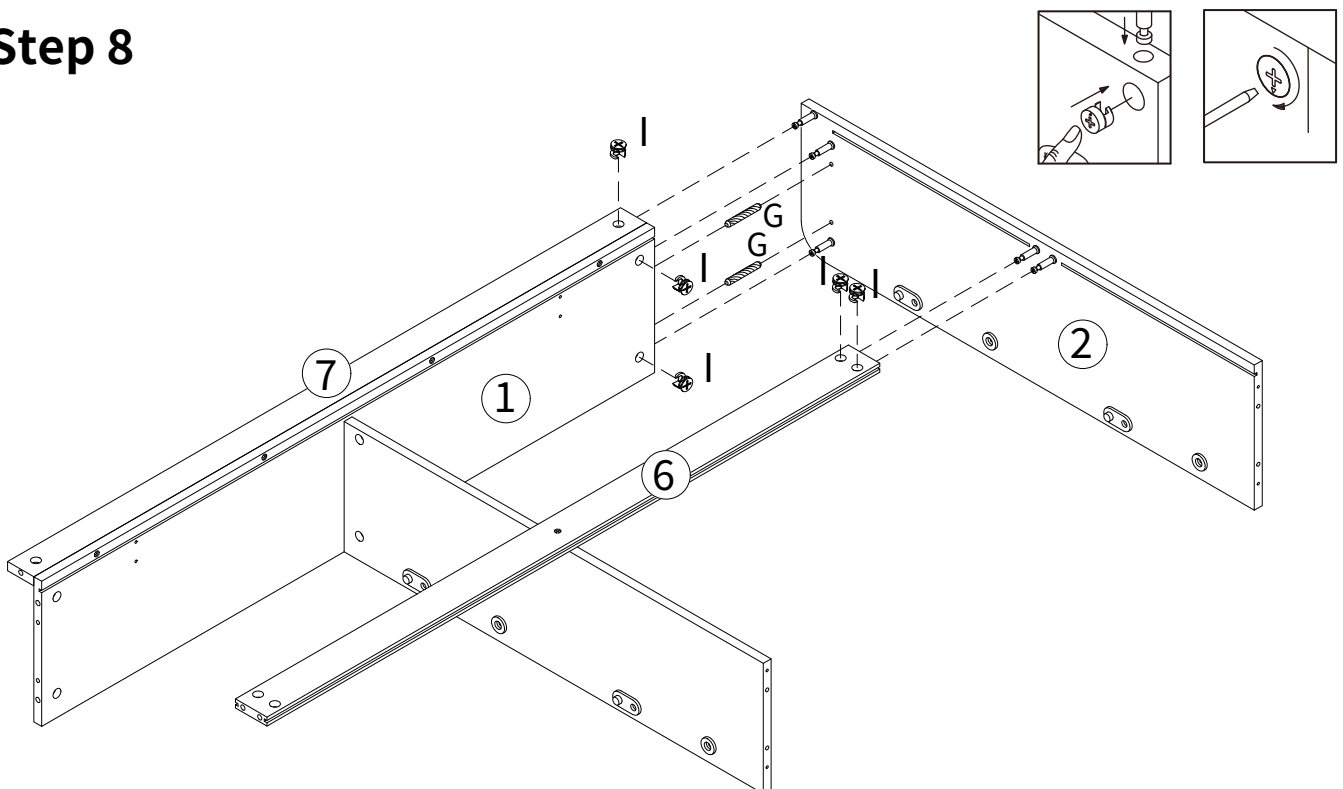


Step 7



Insert the dowels (G) into panel ① and connect panel ⑤ to panel ①, then put part (I) to the holes and use a flat-blade screwdriver to turn it clockwise to tighten. Positions are as shown below.

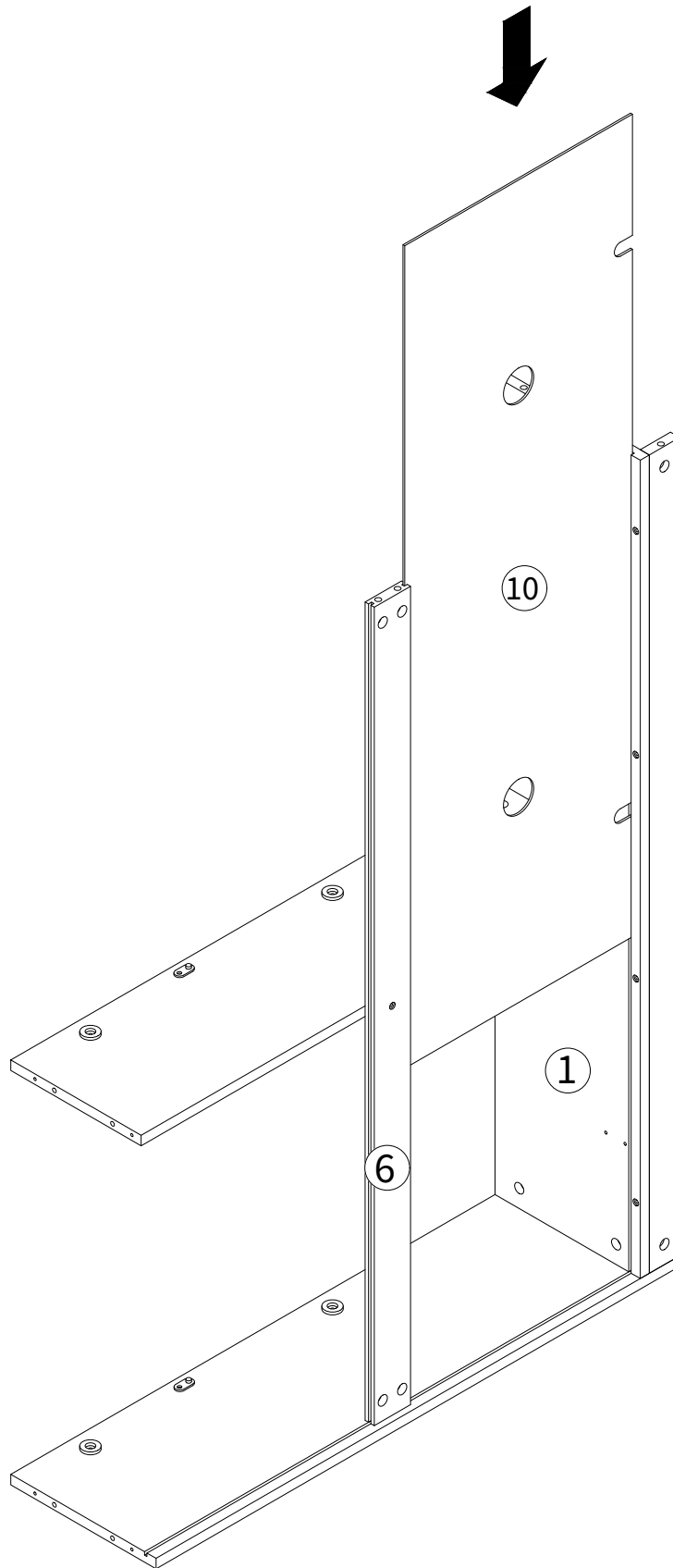
Step 8



Insert the dowels (G) into panel ② and connect panel ② with panel ① ⑥ ⑦ and then put part (I) to the holes and use a flat-blade screwdriver to turn it clockwise to tighten. Positions are as shown below.

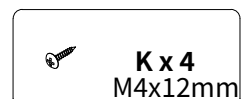
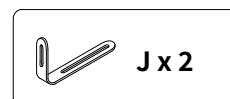
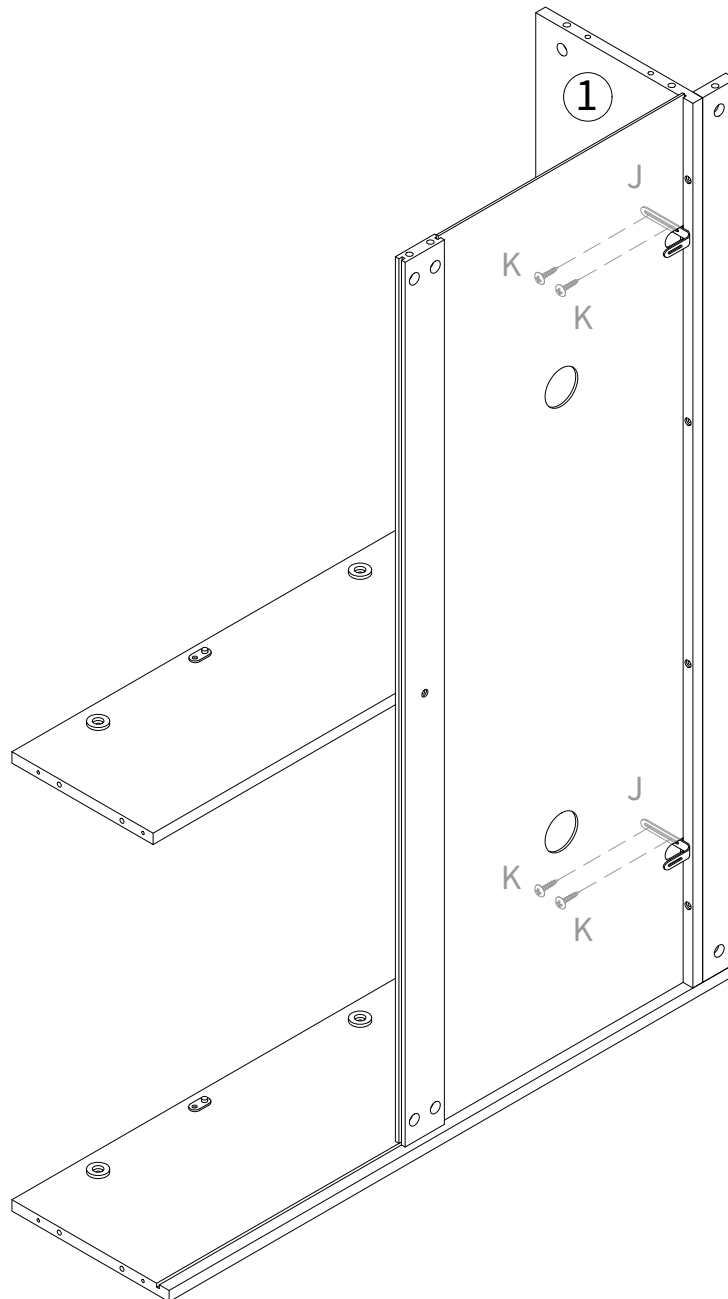
Step 9

Insert panel ⑩ along the slot, position as shown below.



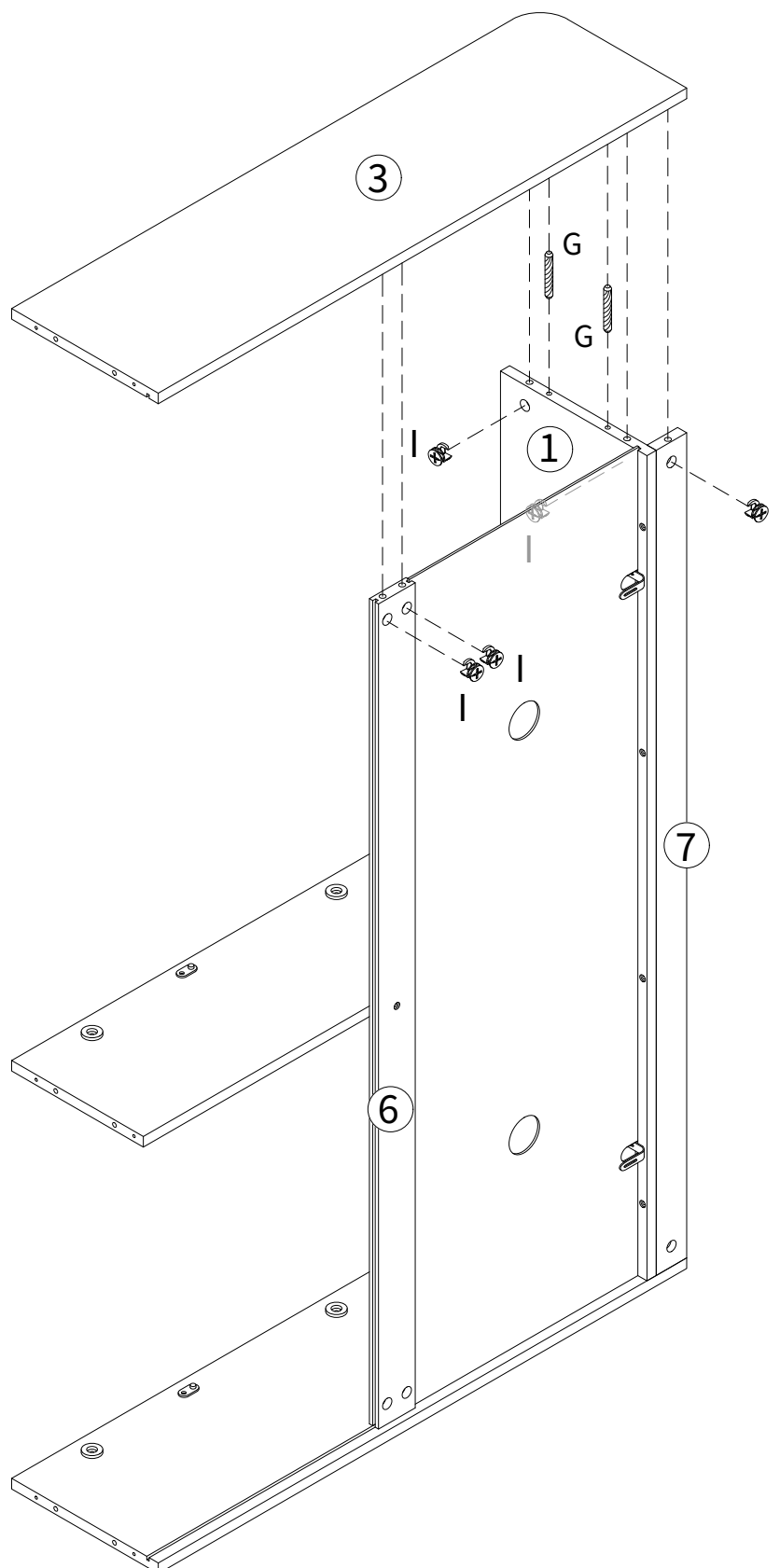
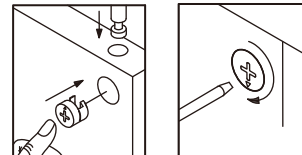
Step 10

Use screw (K) to lock part (J) to panel ①. Positions as shown below.



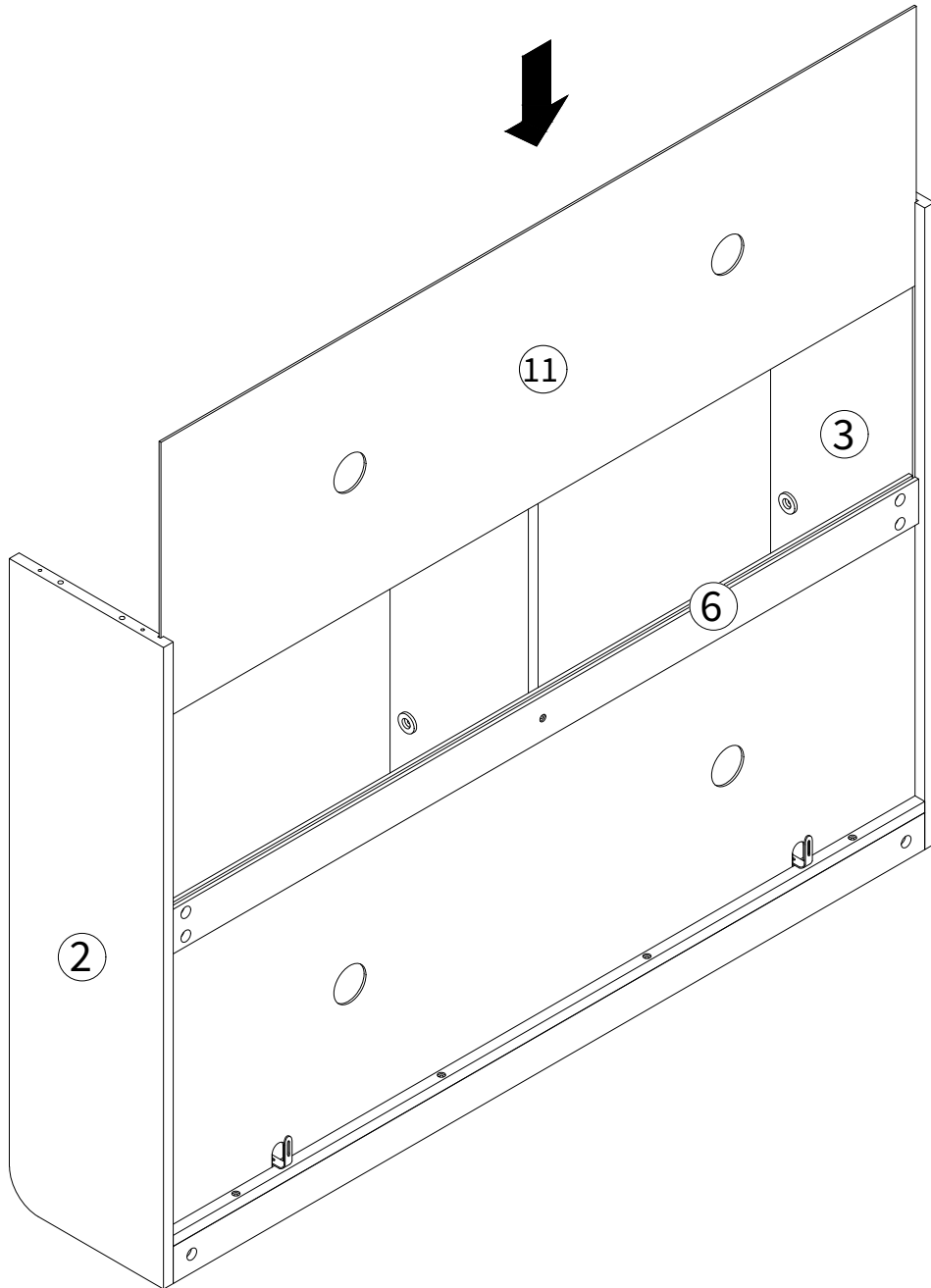
Step 11

Insert the dowels (G) into panel ① and connect panel ③ with panel ① ⑥ ⑦ and then put part (I) to the holes and use a flat-blade screwdriver to turn it clockwise to tighten. Positions are as shown below.



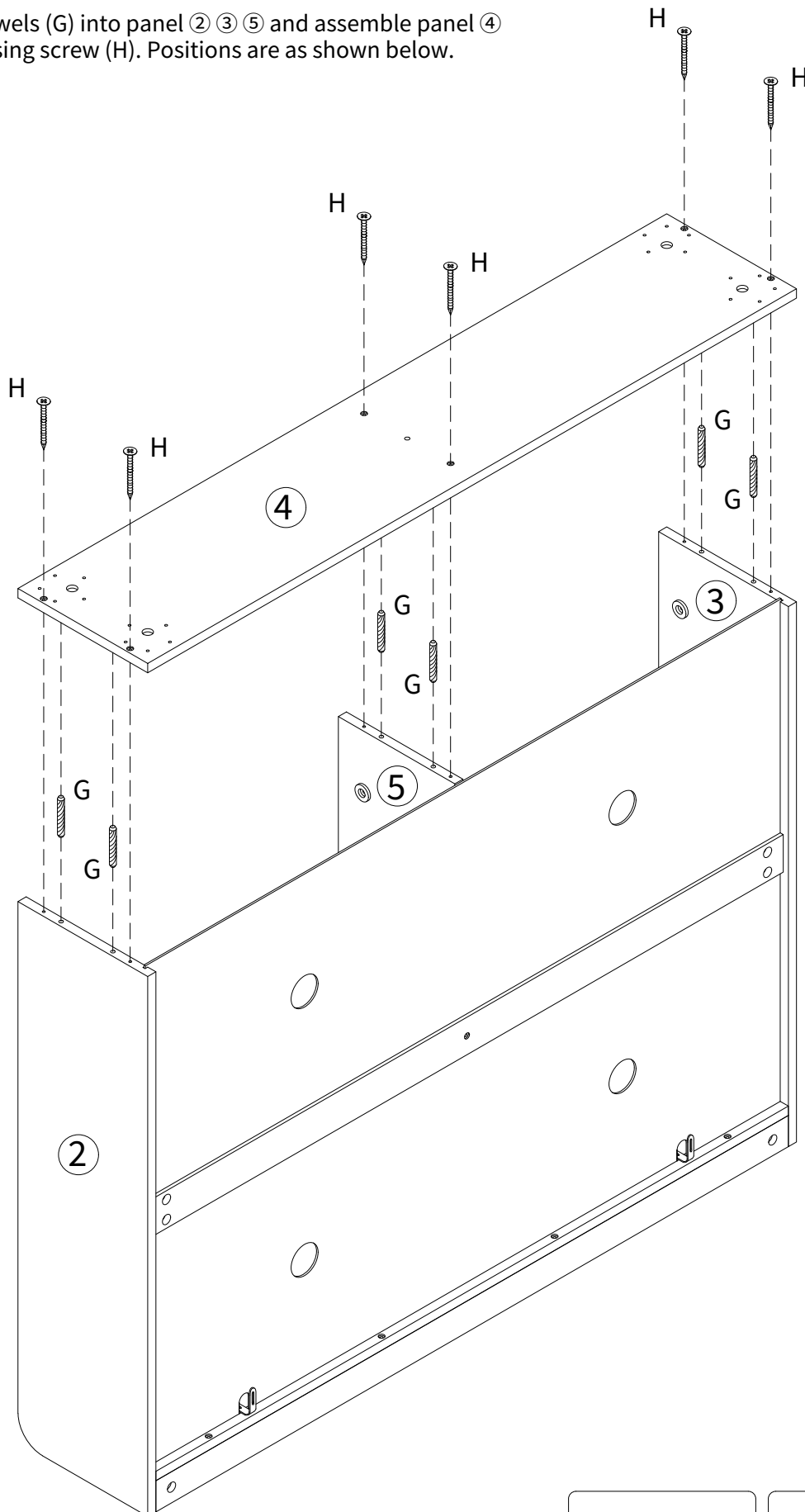
Step 12

Insert panel ⑪ along the slot, position as shown below.



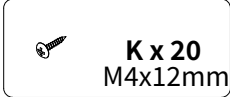
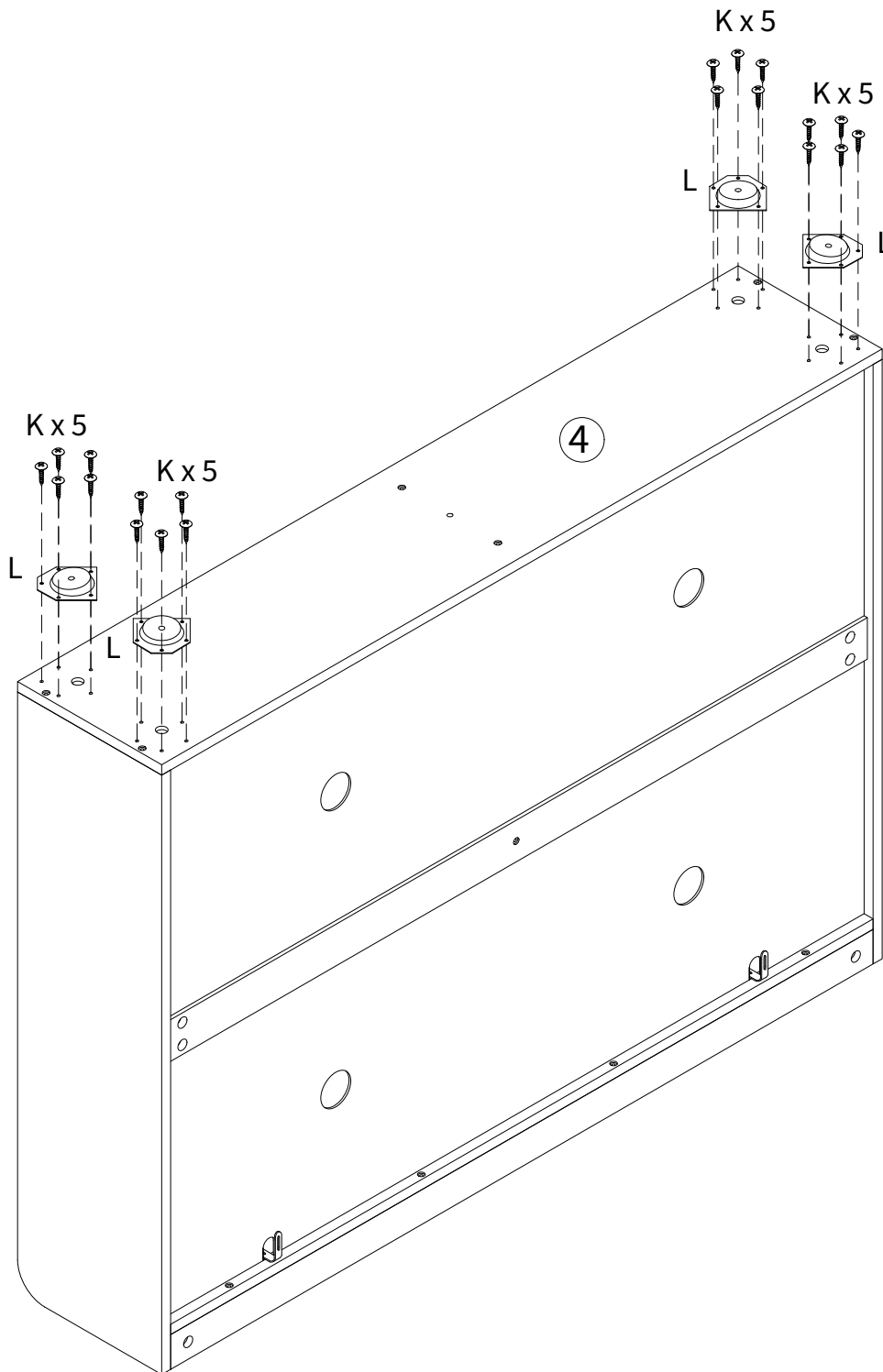
Step 13

Insert the dowels (G) into panel ② ③ ⑤ and assemble panel ④ to them by using screw (H). Positions are as shown below.



Step 14

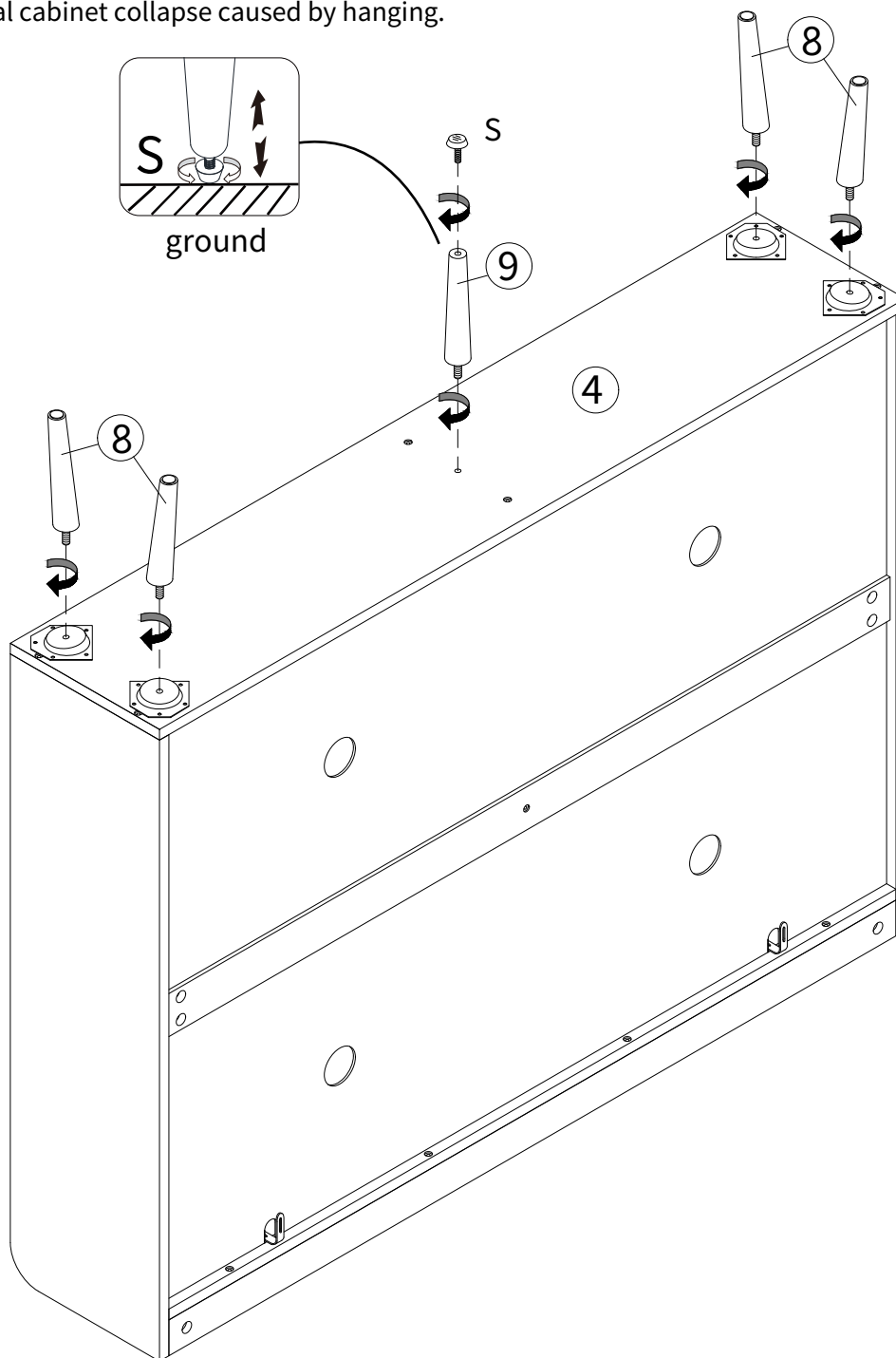
Use screw (K) to lock part (L), positions as shown below.



Step 15

Rotate part ⑧ and ⑨ to the positions as shown below.
Rotate screw (S) to part ⑨ as shown below.

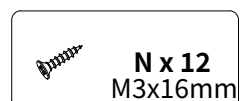
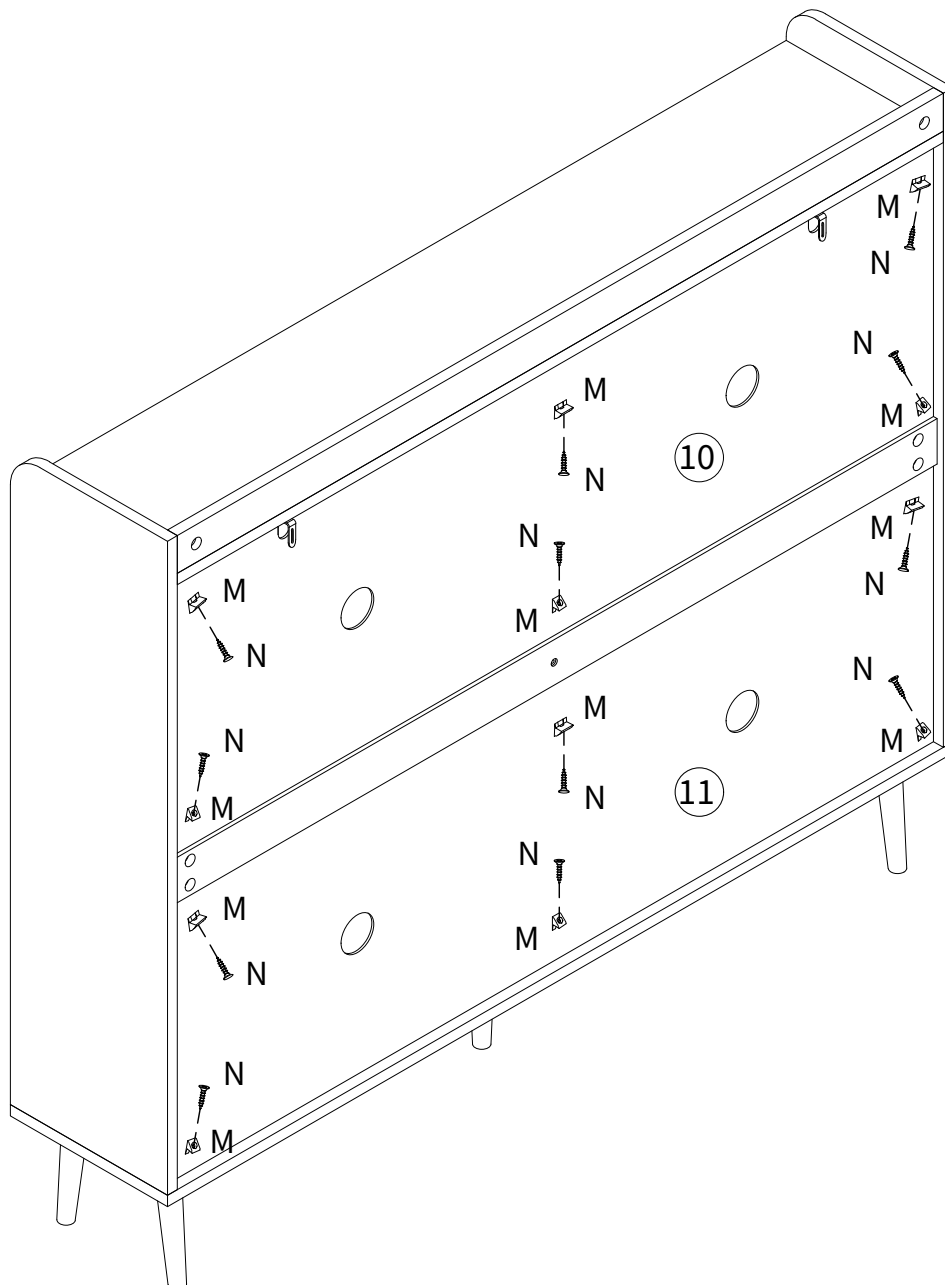
After adjusting the screw (S) on the center stay foot, please ensure that it is firmly grounded to prevent any potential cabinet collapse caused by hanging.



S x 1

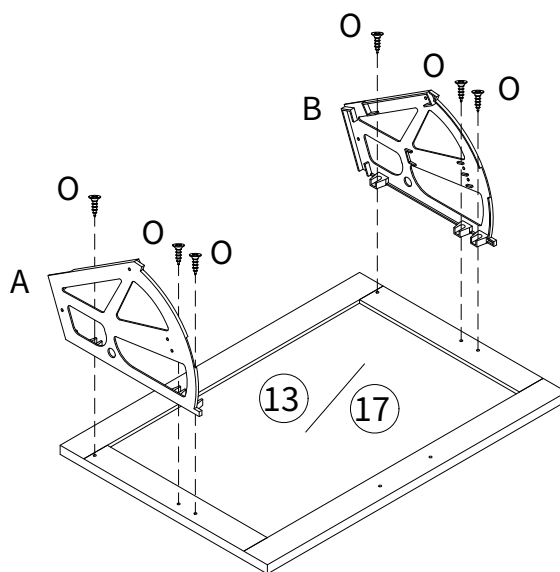
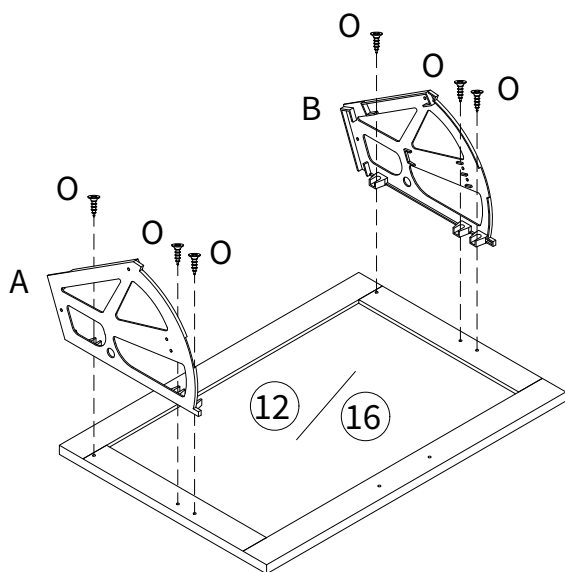
Step 16

Assemble part (M) to the corners and use screw (N) to lock them. Positions are as shown below.



Step 17

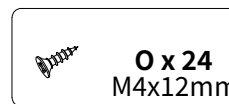
Use screw (O) to lock part (A) and (B) to panel ⑫ ⑬ ⑯ and ⑰. Positions are as shown below. Make twice.



A x 4



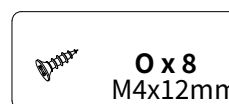
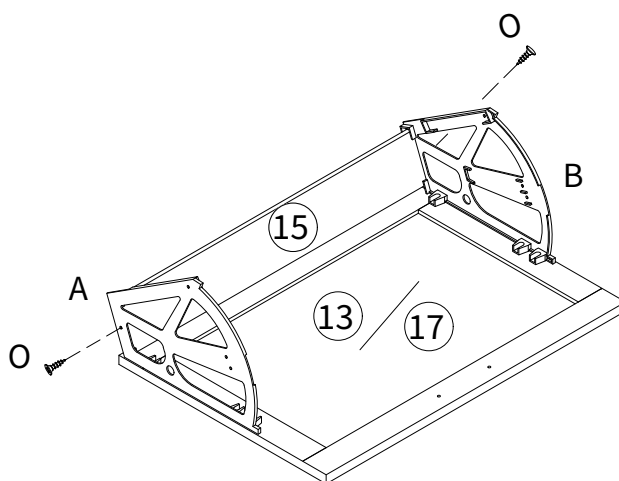
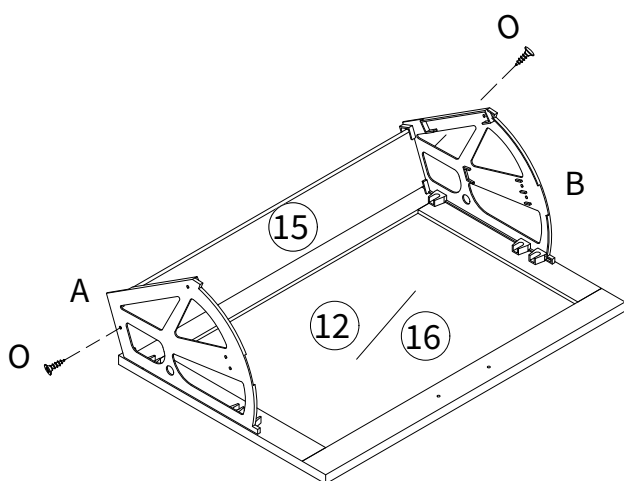
B x 4



O x 24
M4x12mm

Step 18

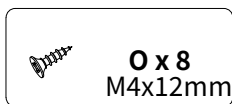
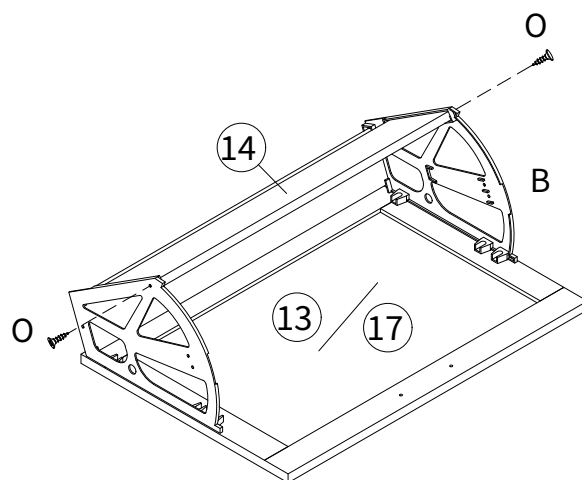
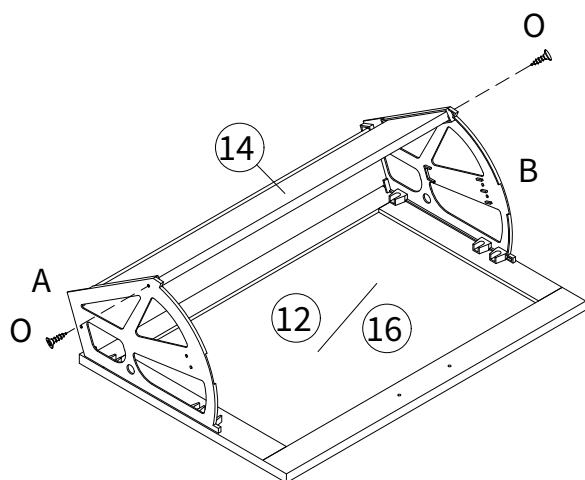
Use screw (O) to lock panel ⑮ to part (A) and (B). Positions are as shown below.



O x 8
M4x12mm

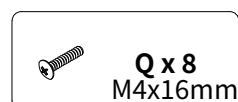
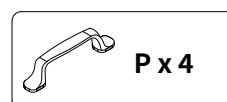
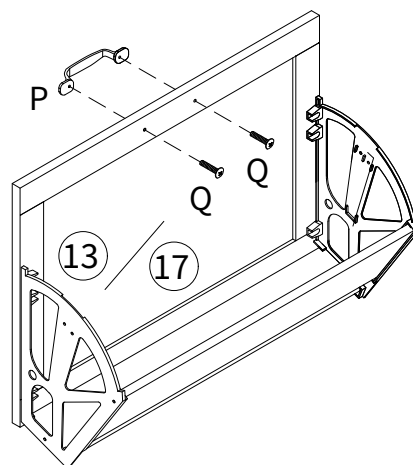
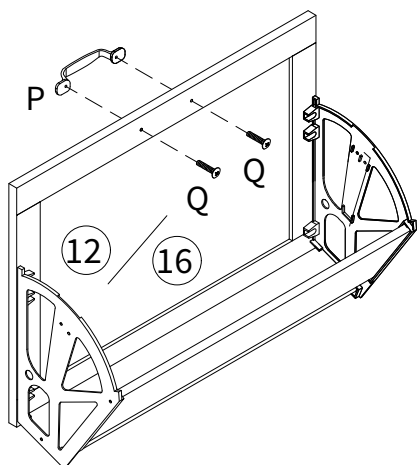
Step 19

Use screw (O) to lock panel ⑭ to part (A) and (B). Positions are as shown below.

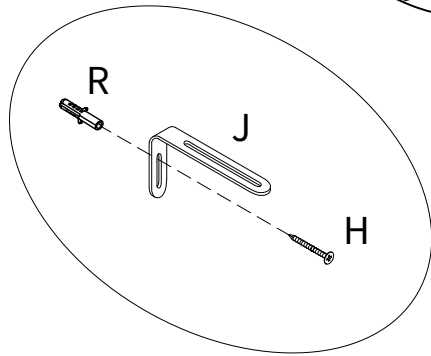
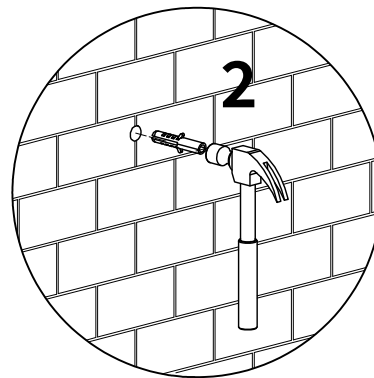
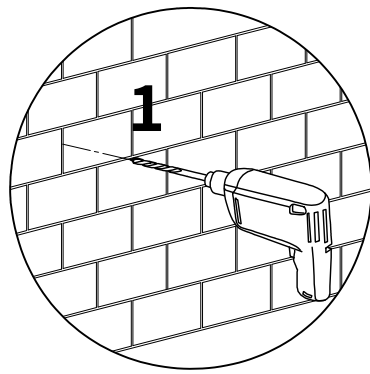


Step 20

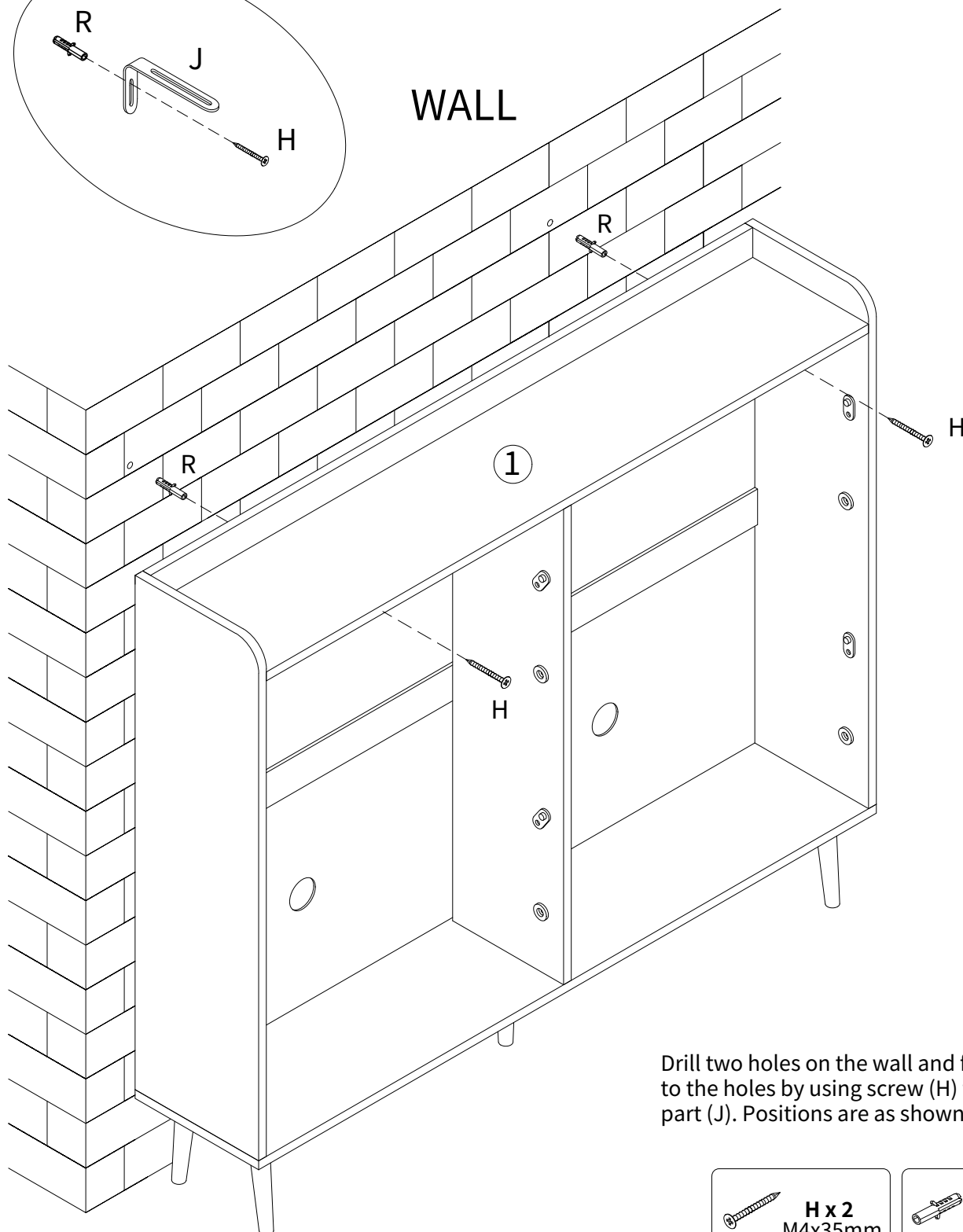
Lock handle (P) with bolt (Q). Positions are as shown below.



Step 21



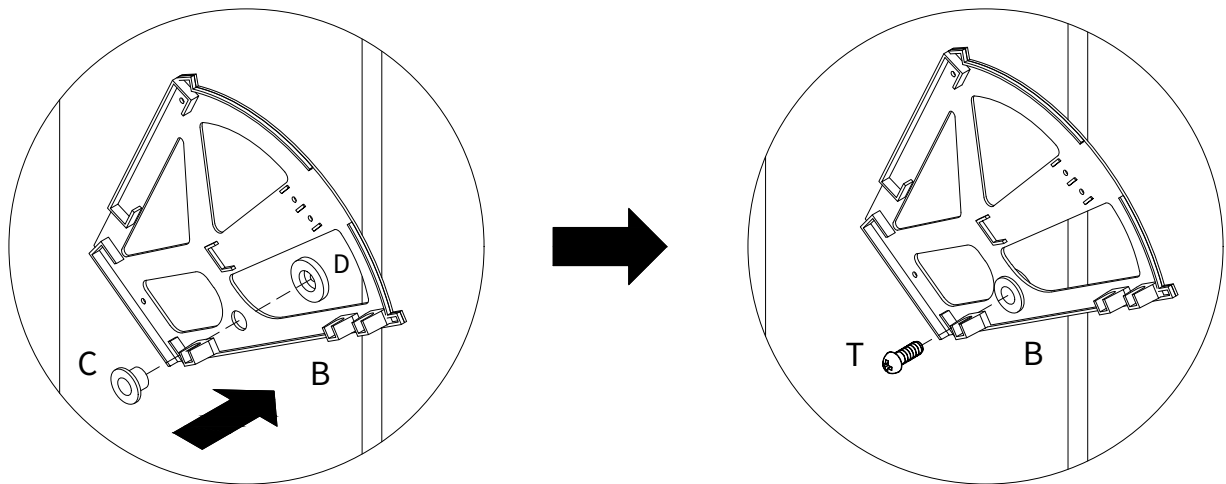
WALL



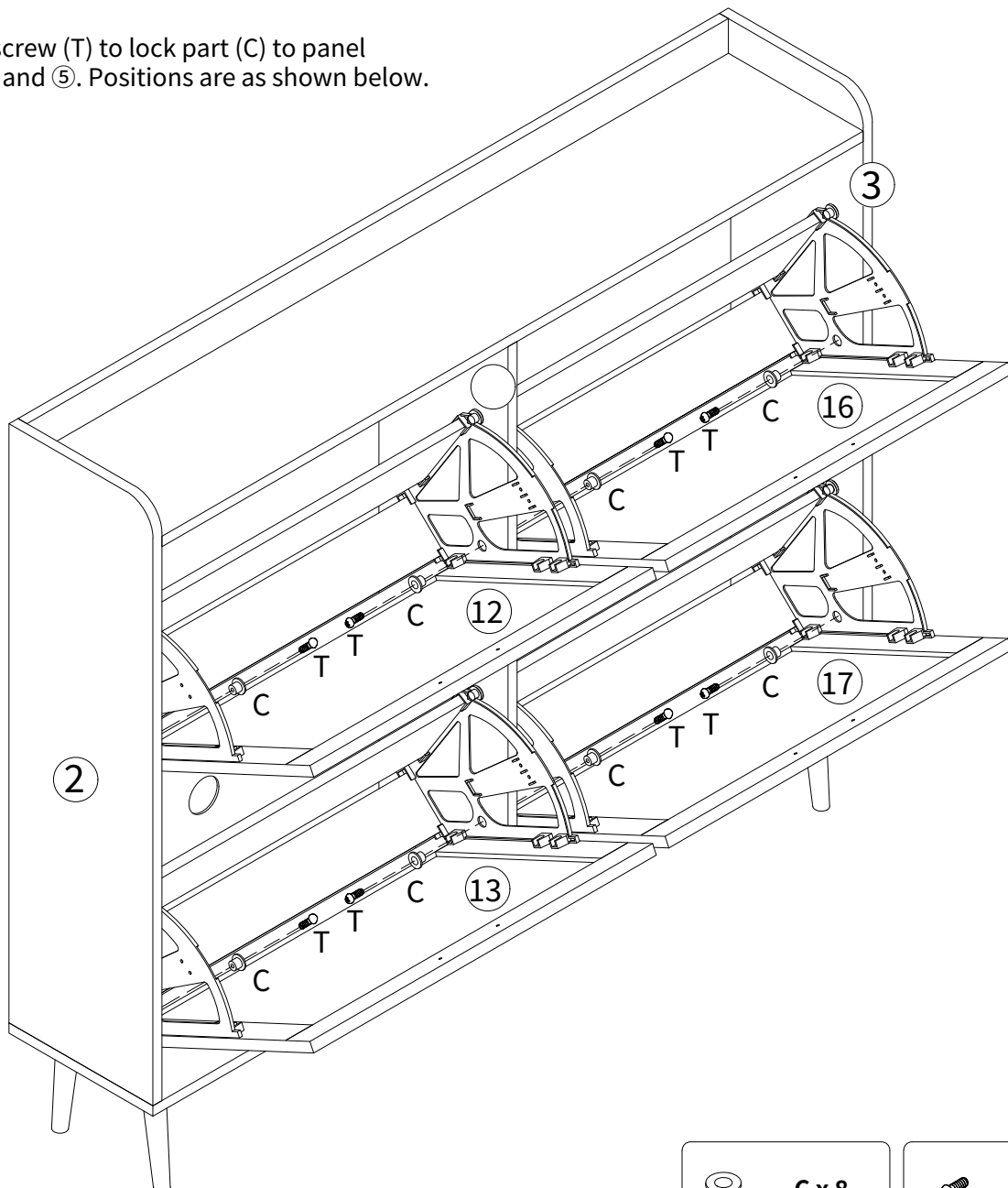
Drill two holes on the wall and fix part (R) to the holes by using screw (H) through part (J). Positions are as shown below.



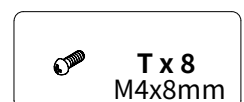
Step 22



Use screw (T) to lock part (C) to panel
② ③ and ⑤. Positions are as shown below.



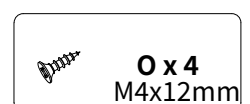
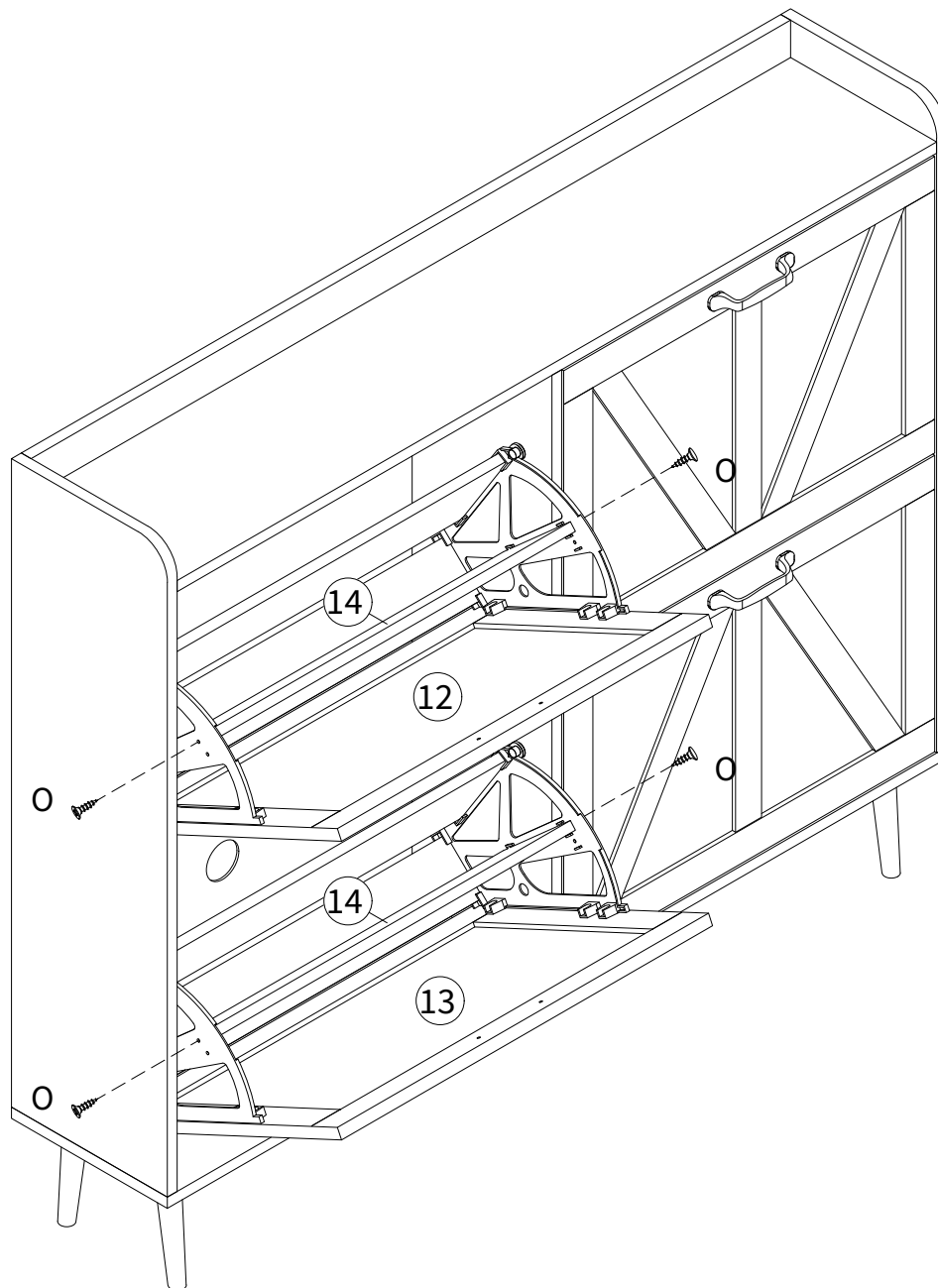
C x 8



T x 8
M4x8mm

Step 23

Use screw (O) to lock panel ⑭. Positions are as shown below.



Step 24

Use screw (O) to lock panel ⑭. Positions are as shown below.

