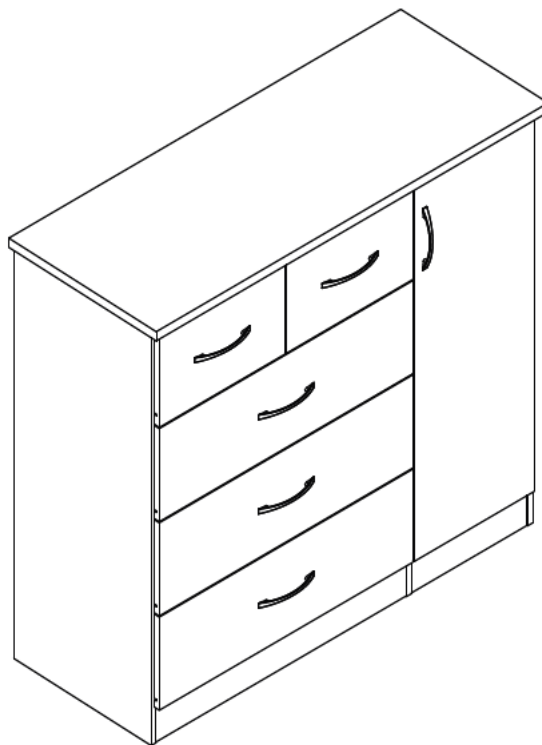


5 DRAWER LOW WARDROBE

ASSEMBLY INSTRUCTIONS

RUSTIC OAK EFFECT



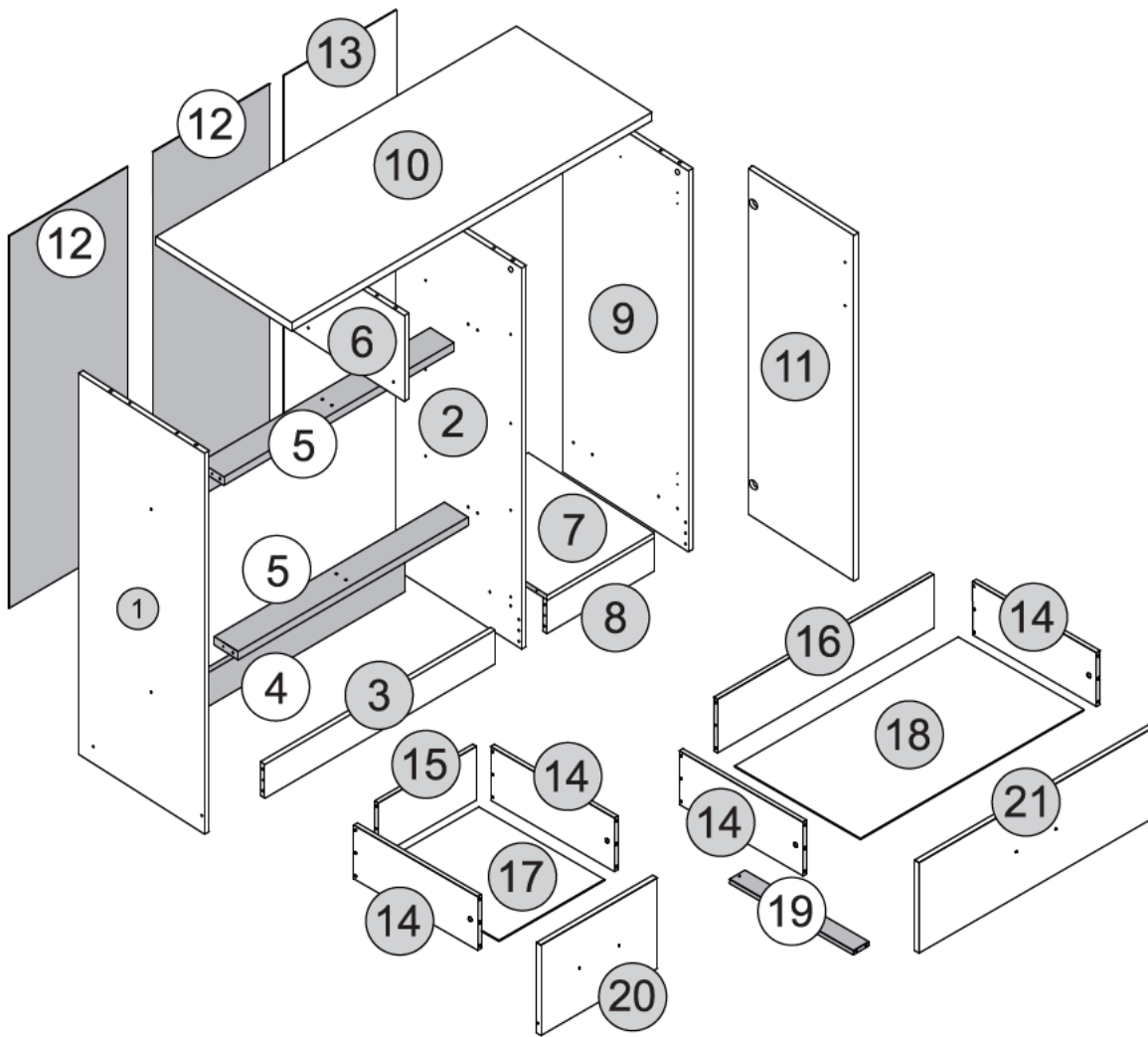
IMPORTANT FOR DOMESTIC USE ONLY

PLEASE READ BEFORE YOU CONTINUE FURTHER

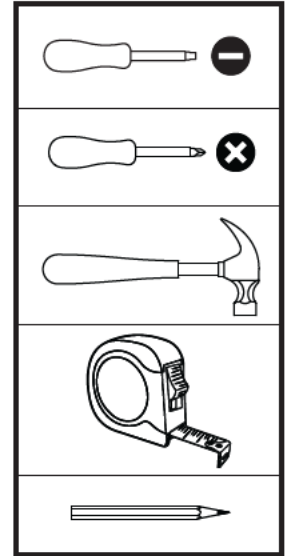
CARE AND MAINTENANCE

After unpacking this product please keep the original packaging in case it needs to be returned for any reason.

- Please ensure all fittings and parts are present before commencing with assembly.
- Never drag or push products as this could cause damage to the joints making it inferior.
- We strongly recommend that you keep children away from your work area.
- We recommend that you lay a blanket or sheet on the floor to avoid damage to both your floor and the product.
- Assemble this product as close to its final position as possible.
- Do not place this product next to a radiator or in direct sunlight.
- Do not drag or push items across your high gloss furniture as this may cause the surface to scratch
- Wood is a natural product and may expand if subjected to damp and may shrink or crack if subjected to heat. Therefore it is recommended that room temperature is maintained, with no sudden temperature fluctuations.
- Make sure any spillage is wiped off immediately.
- Do not place hot or chilled items directly on to the surface, use a place mat or marking will occur.
- For general cleaning use a soft cotton or micro fibre cloth, and do not use detergents of any kind.
- From time to time it may be necessary to tighten fittings, regular inspections should be carried out.
- Do not place on a wet or damp floor as staining may occur to your floor.






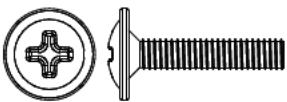
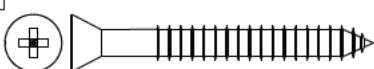
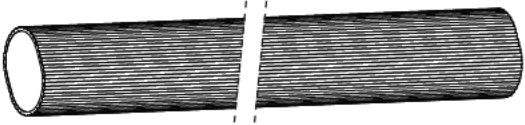

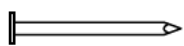
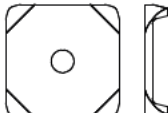
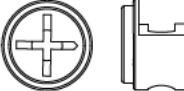

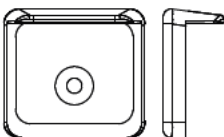




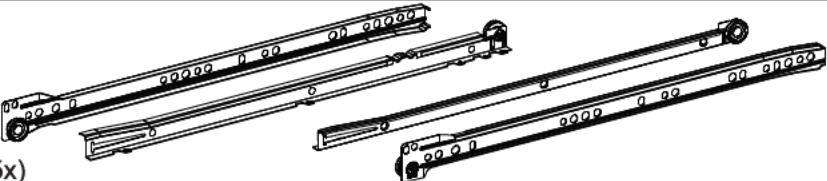
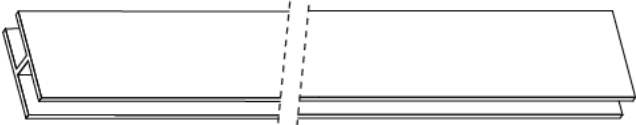


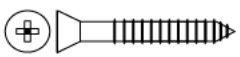
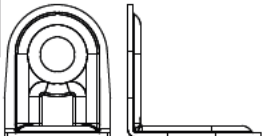

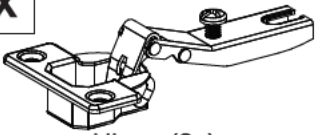
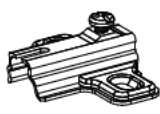
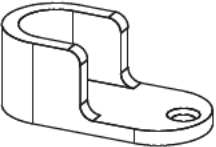
TOOLS REQUIRED



Please Note:
The below parts have all been stamped with the part number to help identify them during assembly.

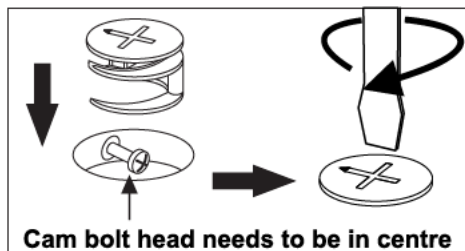
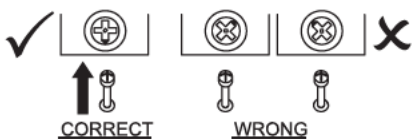
Part Number	Part Description	Quantity	Carton
1	Left Side Panel	1	1/2
2	Large Division Panel	1	1/2
3	Front Baseboard	1	1/2
4	Back Baseboard	1	1/2
5	Crossbar	2	2/2
6	Drawer Division Panel	1	1/2
7	Base	1	2/2
8	Small Front Baseboard	1	1/2
9	Right Side Panel	1	1/2
10	Top Panel	1	2/2
11	Door	1	2/2
12	Large Back Panel	2	2/2
13	Small Back Panel	1	2/2
14	Drawer Side	10	1/2
15	Small Drawer Back Panel	2	1/2
16	Large Drawer Back Panel	3	1/2
17	Small Drawer Bottom	2	1/2
18	Large Drawer Bottom	3	2/2
19	Drawer Bottom Support Bar	3	1/2
20	Small Drawer Front	2	2/2
21	Large Drawer Front	3	2/2

FITTINGS LIST

A  Flat Head Screw Ø6,0 x 8mm (20x) +/2	B  Flan Head Screw Ø3,5 x 12mm (6x) +/1	C  Flat Head Screw Ø4,0 x 14mm (44x) +/2	D  Flan Head Screw Ø4,0 x 20mm (12x) +/2
E  Flat Head Screw Ø4,0 x 45mm (24x) +/2	F  Hanging Rail (1x)		G  Dowel Ø6,0 x 30mm (71x) +/2
H  Nail 10 x 10 (100x) +/5	I  Back Panel Bracket (8x) +/1	J  Cam Nut Ø12mm (18x) +/2	K  Washer (4x) +/1
L  Plastic Foot (9x) +/1	M  Flan Head Screw Ø3,5 x 30mm (2x) +/1	N  Cam Bolt (18x) +/2	O  Hole Plugs (31x) +/2
P  Glue (3x)	Q  Drawer Runners (5x)		
R  Back Panel Strip (1x)	S  Strap (2x)	T  Handle (6x)	
U  Flat Head Screw Ø3,5 x 25mm (3x) 1/+	V  'L' Metallic Support (1x) +/1	W  Dowel Ø6,0 x 50mm (2x) +/1	X  Hinge (2x)
Y  Hinge Plate (2x)	Z  Hanging Rail Support (2x)		

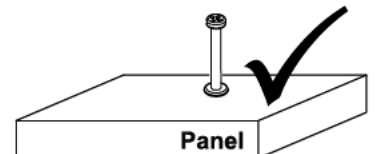
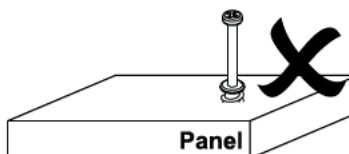
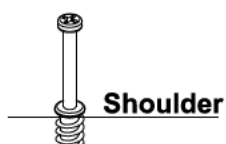
TIPS FOR FITTINGS CAM-LOCKS

WHEN FITTING CAM NUT, ENSURE STARTING POSITION IS CORRECT BEFORE YOU INSERT CONNECTING CAM BOLT TURN CLOCKWISE UNTIL SECURE



CAMBOLT

Tighten until shoulder in flush with panel. Do not overtighten or undertighten (see example beside)


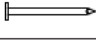




STEP 1

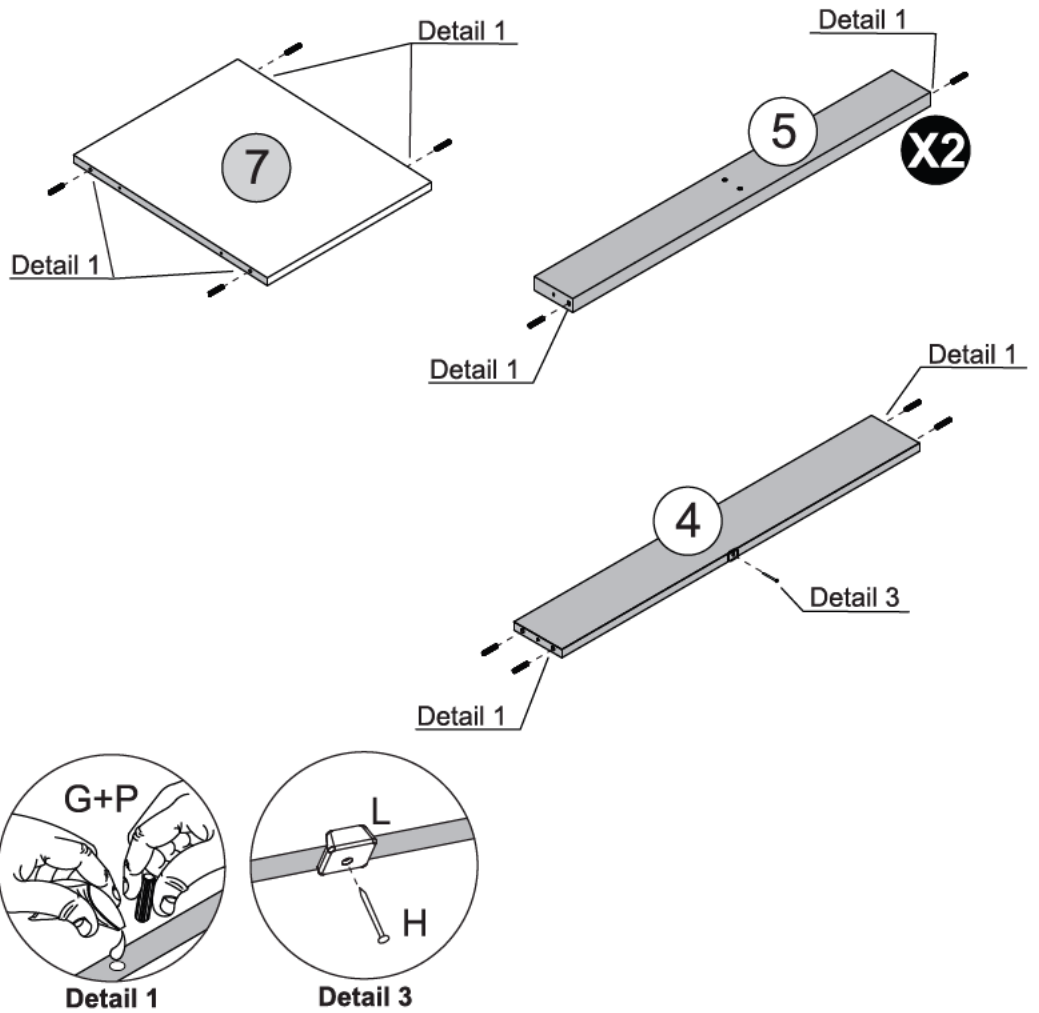
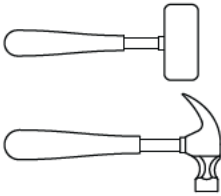
PARTS REQUIRED

4 - BACK BASEBOARD	x1
5 - CROSSBAR	x2
7 - BASE	x1

HARDWARE REQUIRED

G		12
Ø6,0 x 30mm		
H		01
L		01
P		01

TOOLS REQUIRED








STEP 2

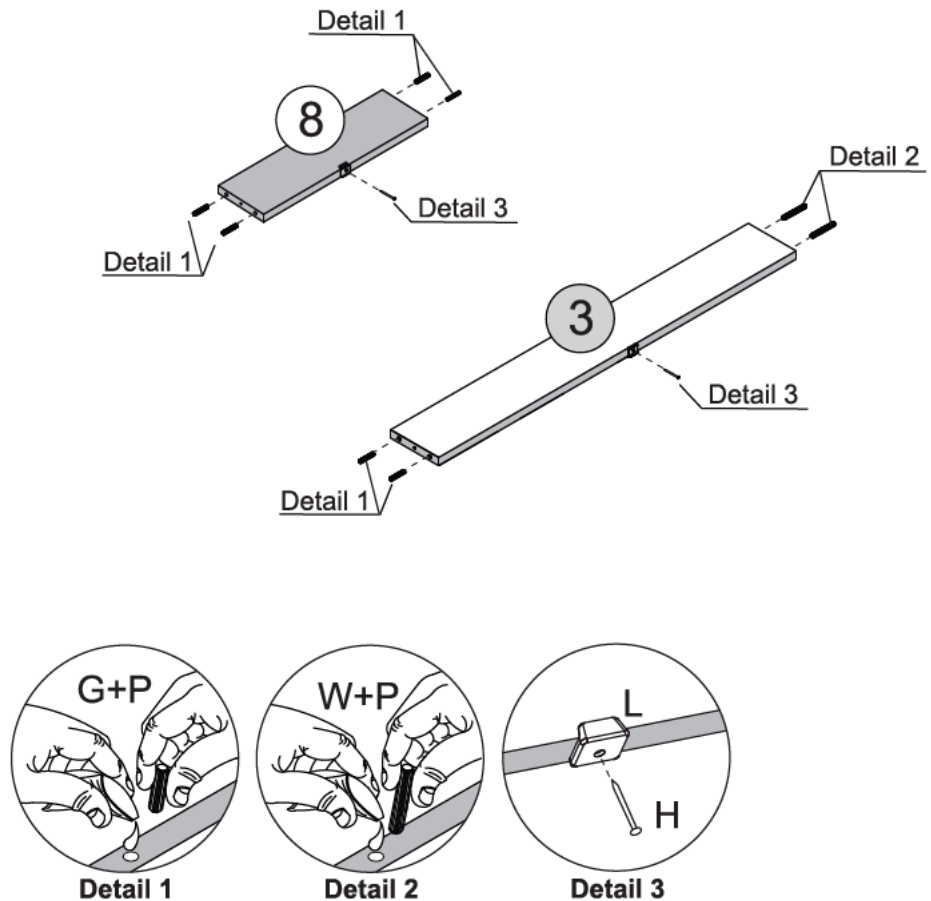
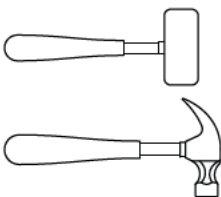
PARTS REQUIRED

3 - FRONT BASEBOARD	x1
8 - SMALL FRONT BASEBOARD	x1

HARDWARE REQUIRED

G		06
Ø6,0 x 30mm		
H		02
L		02
P		01
W		02
Ø6,0 x 50mm		

TOOLS REQUIRED



STEP 5

PARTS REQUIRED

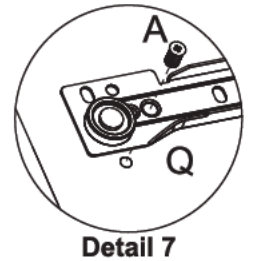
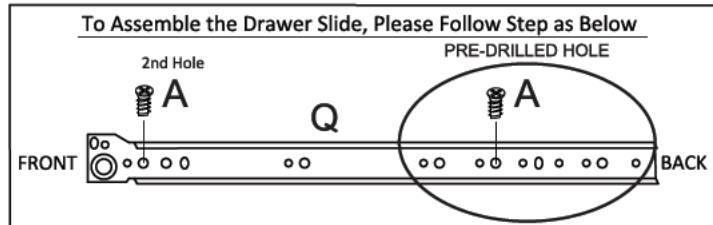
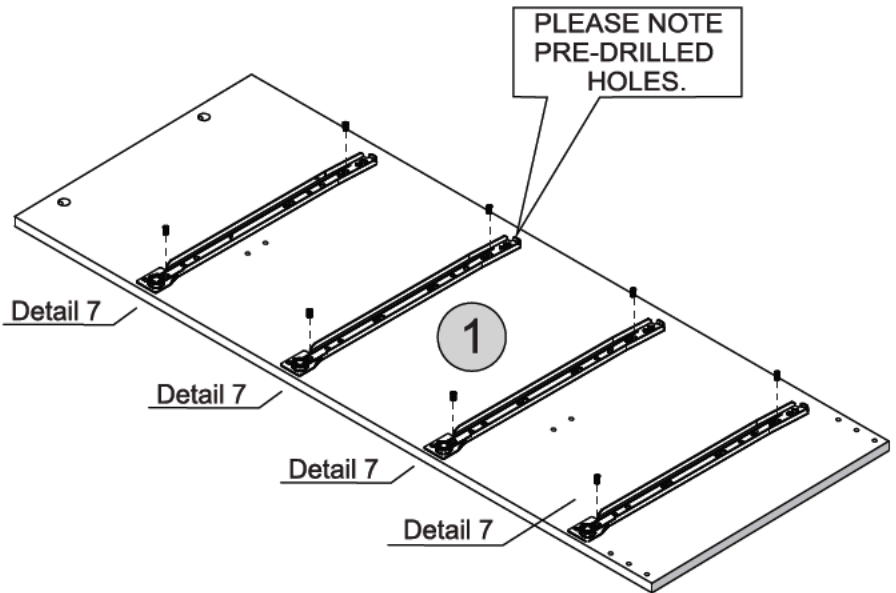
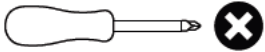
1 - LEFT SIDE PANEL x1

HARDWARE REQUIRED

A  08
Ø6,0 x 8mm

Q  04
Left

TOOLS REQUIRED



STEP 6

PARTS REQUIRED


1 - LEFT SIDE PANEL x1

HARDWARE REQUIRED

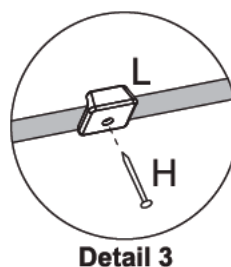
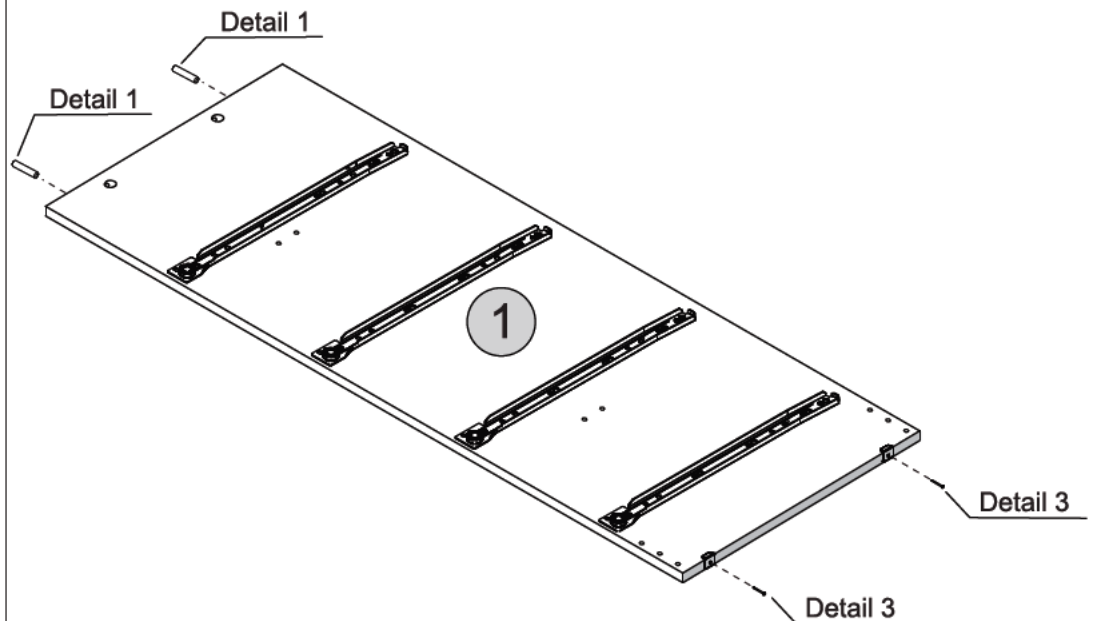
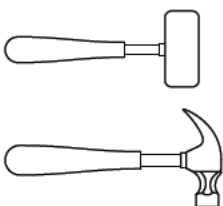
G  02
Ø6,0 x 30mm

H  02

L  02

P  01
Glue

TOOLS REQUIRED



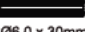
STEP 7


PARTS REQUIRED

6 - DRAWER DIVISION PANEL x1

HARDWARE REQUIRED

A  04
Ø6,0 x 8mm

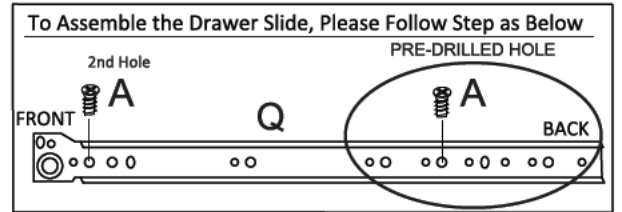
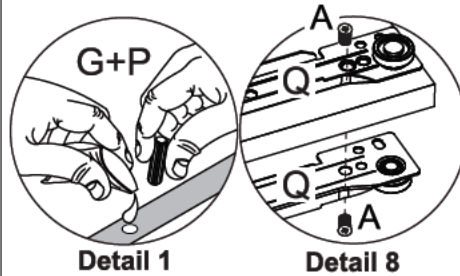
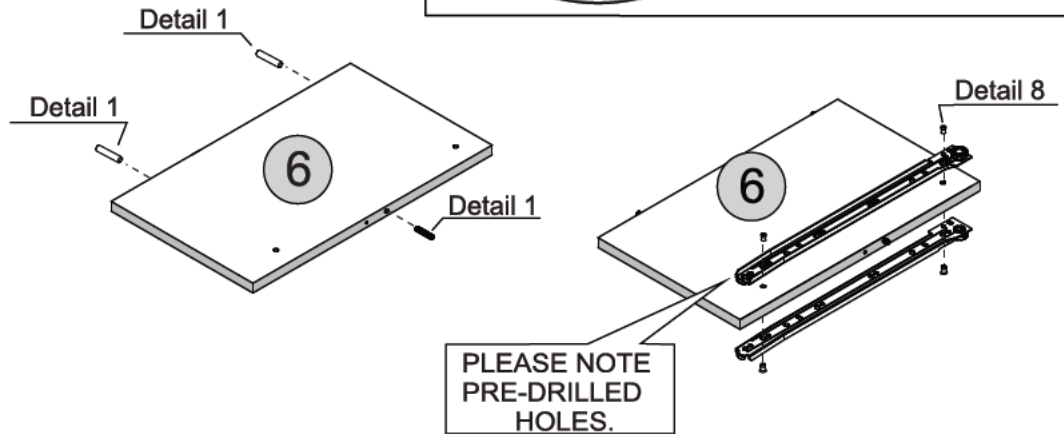
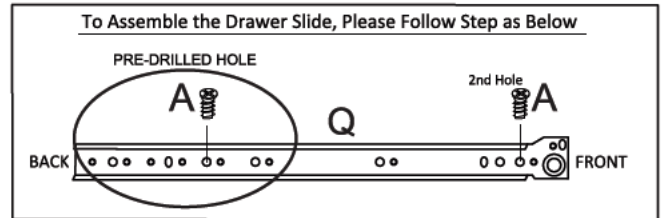
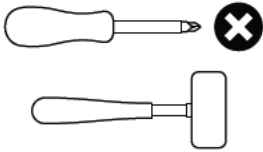
G  03
Ø6,0 x 30mm

P  01
Glue

Q  01
Right

Q  01
Left

TOOLS REQUIRED

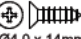


STEP 8


PARTS REQUIRED

9 - RIGHT SIDE PANEL x1

HARDWARE REQUIRED

C  06
Ø4,0 x 14mm

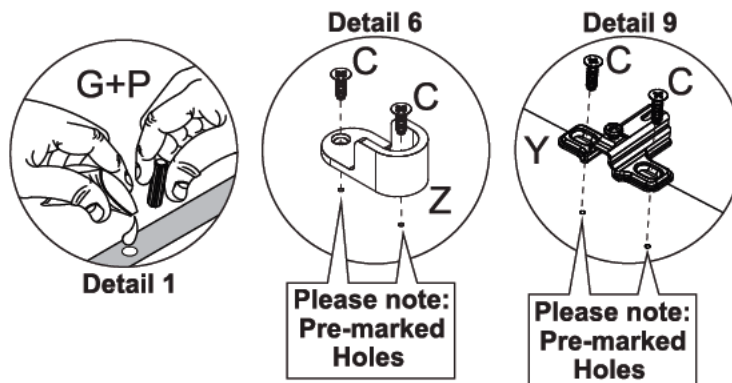
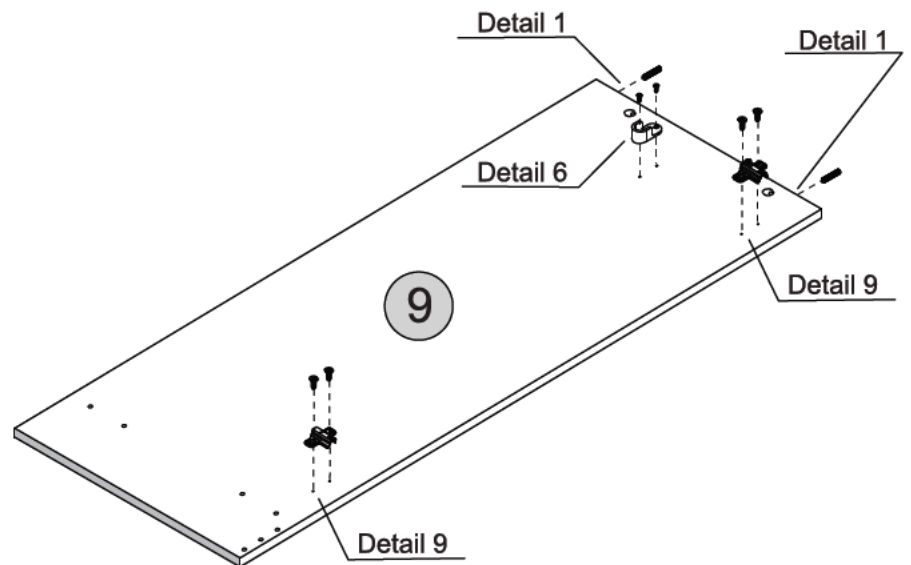
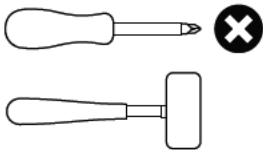
G  02
Ø6,0 x 30mm

P  01
Glue

Y  02

Z  01

TOOLS REQUIRED



STEP 9

PARTS REQUIRED

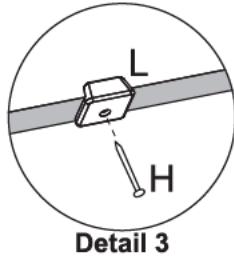
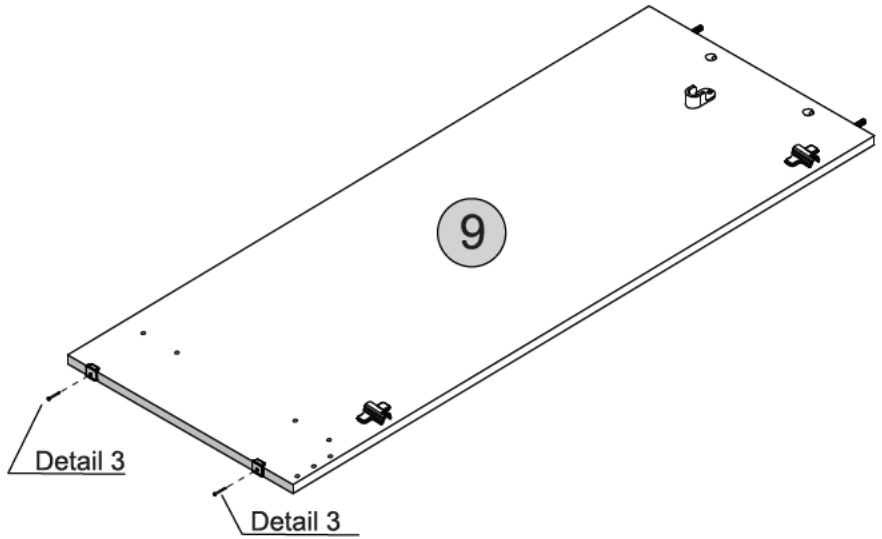
9 - RIGHT SIDE PANEL x1

HARDWARE REQUIRED

H  02

L  02

TOOLS REQUIRED




STEP 10

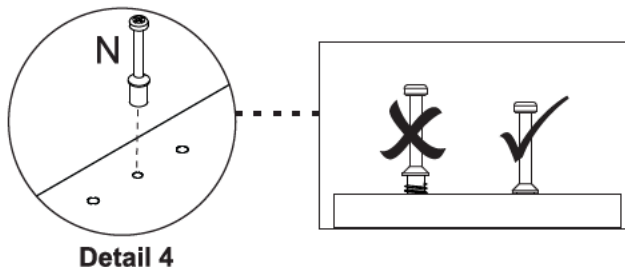
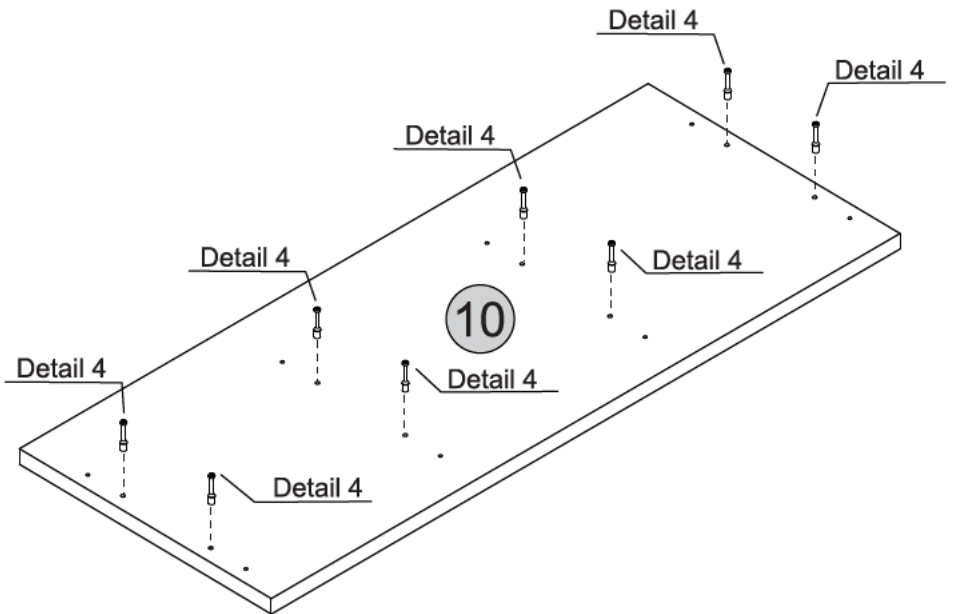
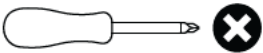
PARTS REQUIRED

10 - TOP PANEL x1

HARDWARE REQUIRED

N  08
Cam Bolt

TOOLS REQUIRED

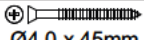



STEP 11

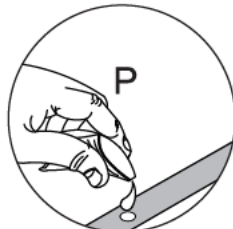
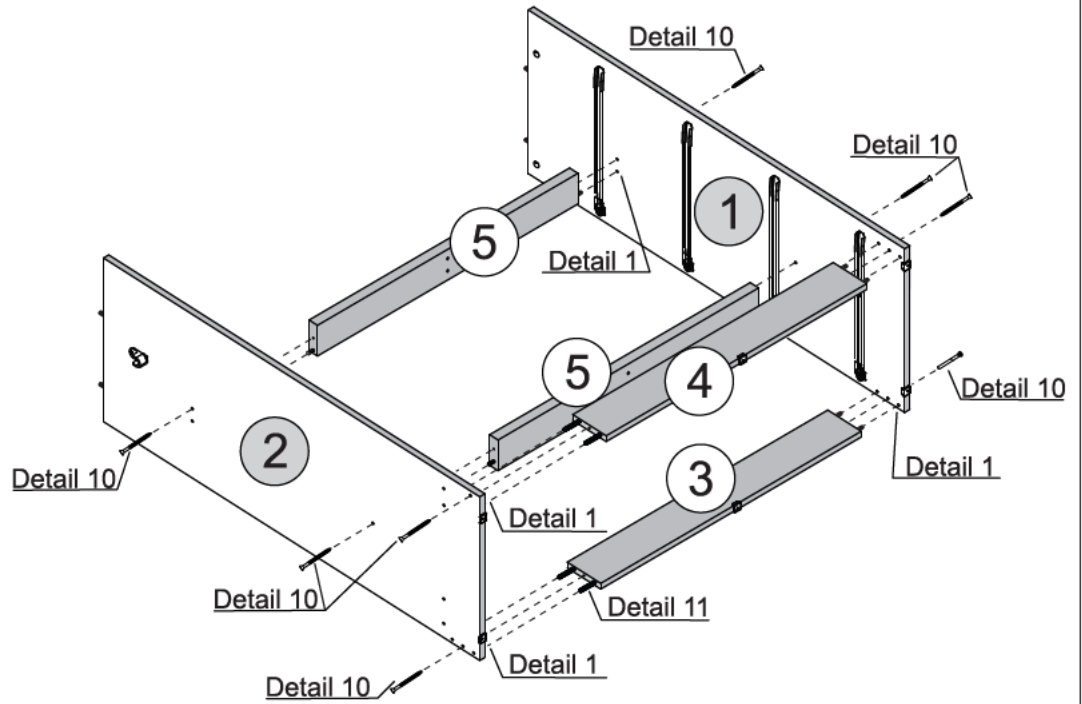
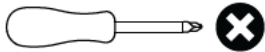
PARTS REQUIRED

1 - LEFT SIDE PANEL	x1
2 - LARGE DIVISION PANEL	x1
3 - FRONT BASEBOARD	x1
4 - BACK BASEBOARD	x1
5 - CROSSBAR	x2

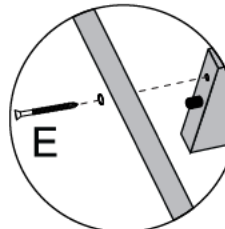
HARDWARE REQUIRED

E	 08 Ø4,0 x 45mm
P	 01

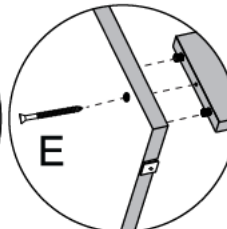
TOOLS REQUIRED



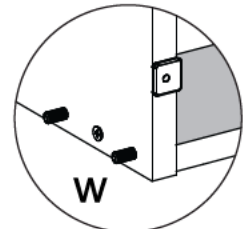
Detail 1



Detail 10



Detail 10

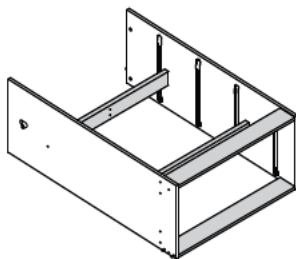


Detail 11

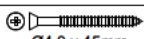

STEP 12

PARTS REQUIRED

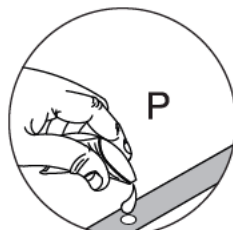
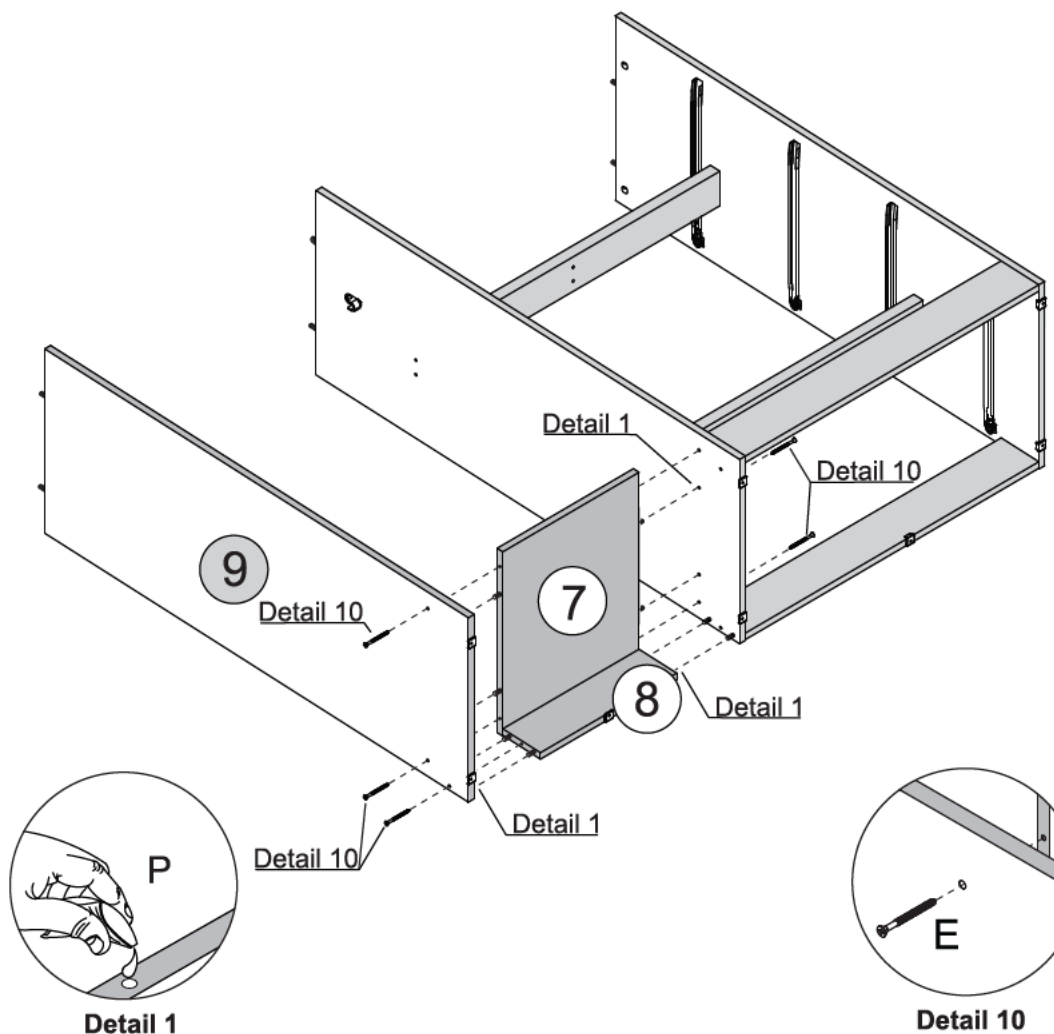
7 - BASE	x1
8 - SMALL FRONT BASEBOARD	x1
9 - RIGHT SIDE PANEL	x1



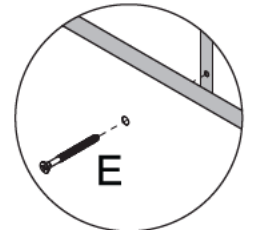
HARDWARE REQUIRED

E	 05 Ø4,0 x 45mm
P	 01

TOOLS REQUIRED



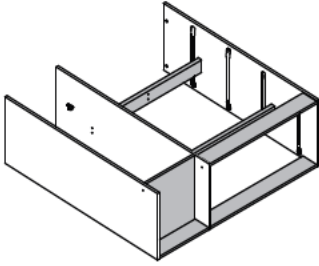
Detail 1



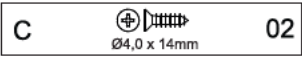
Detail 10

STEP 13

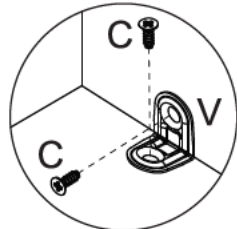
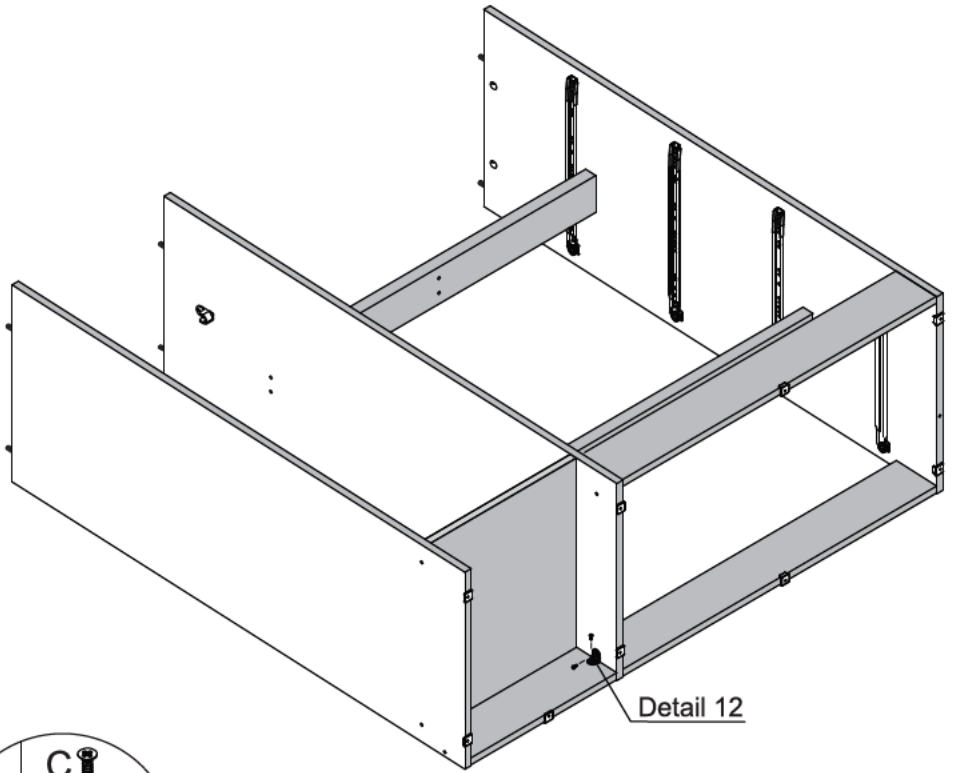
PARTS REQUIRED



HARDWARE REQUIRED



TOOLS REQUIRED



Detail 12

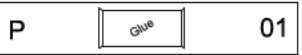
STEP 14

PARTS REQUIRED

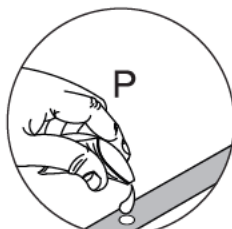
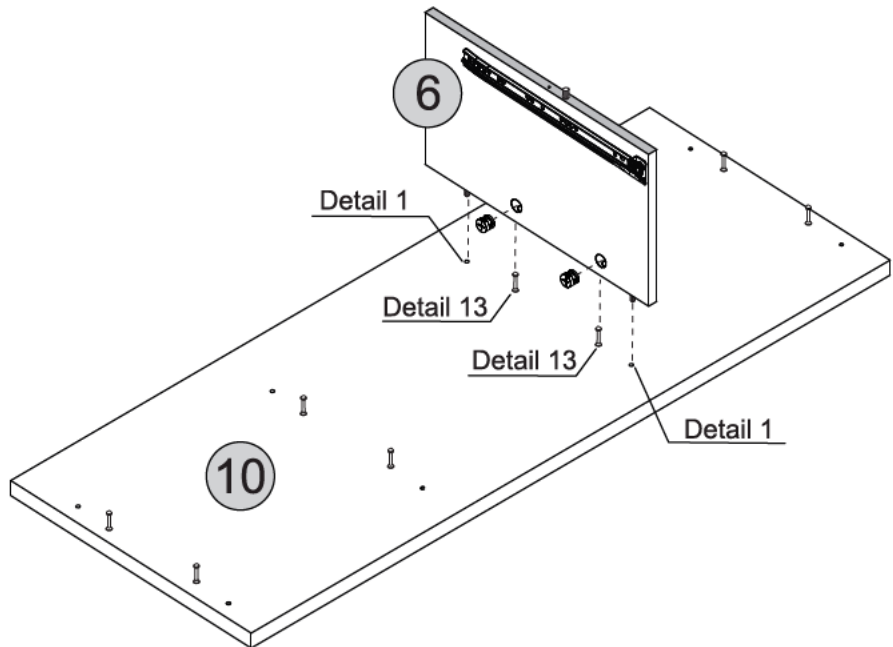
6 - DRAWER DIVISION PANEL x1

10 - TOP PANEL x1

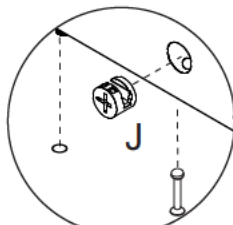
HARDWARE REQUIRED



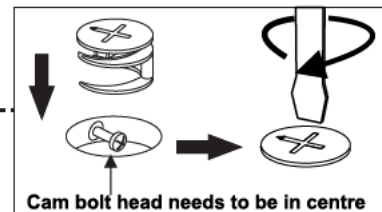
TOOLS REQUIRED



Detail 1

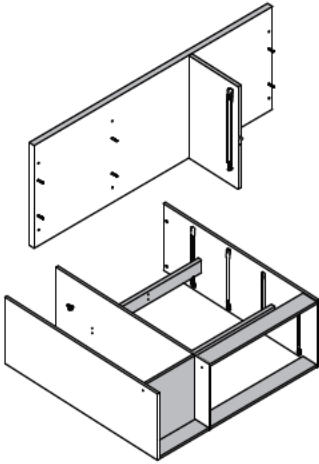


Detail 13

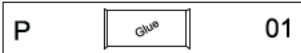
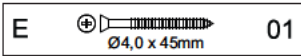


STEP 15

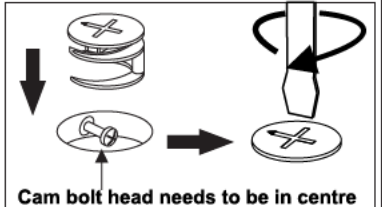
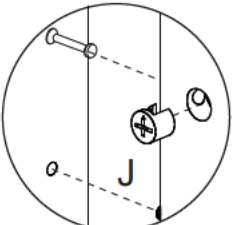
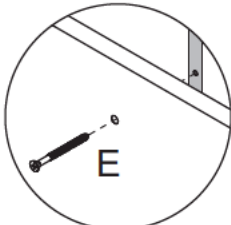
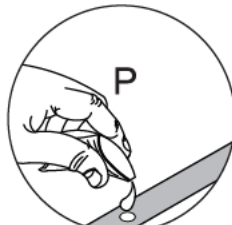
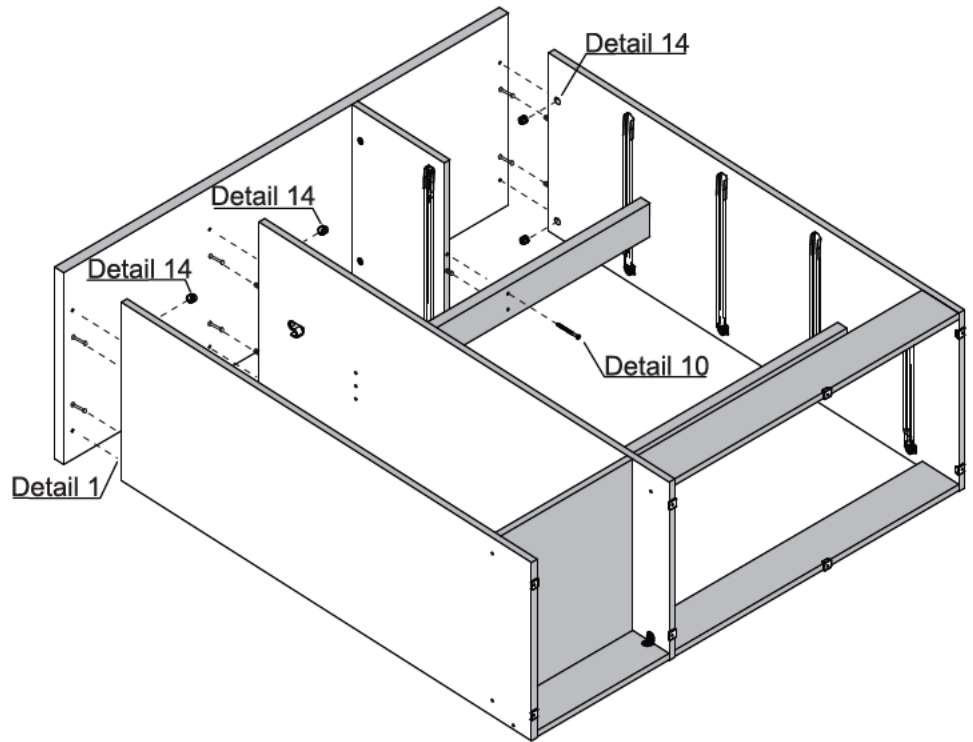
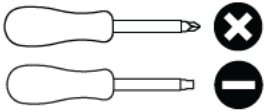
PARTS REQUIRED



HARDWARE REQUIRED



TOOLS REQUIRED



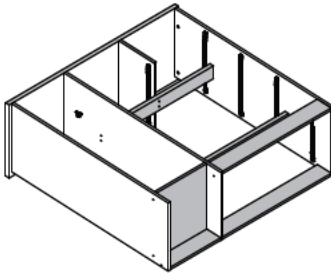
Detail 1

Detail 10

Detail 14

STEP 16

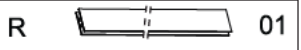
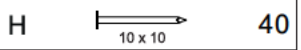
PARTS REQUIRED



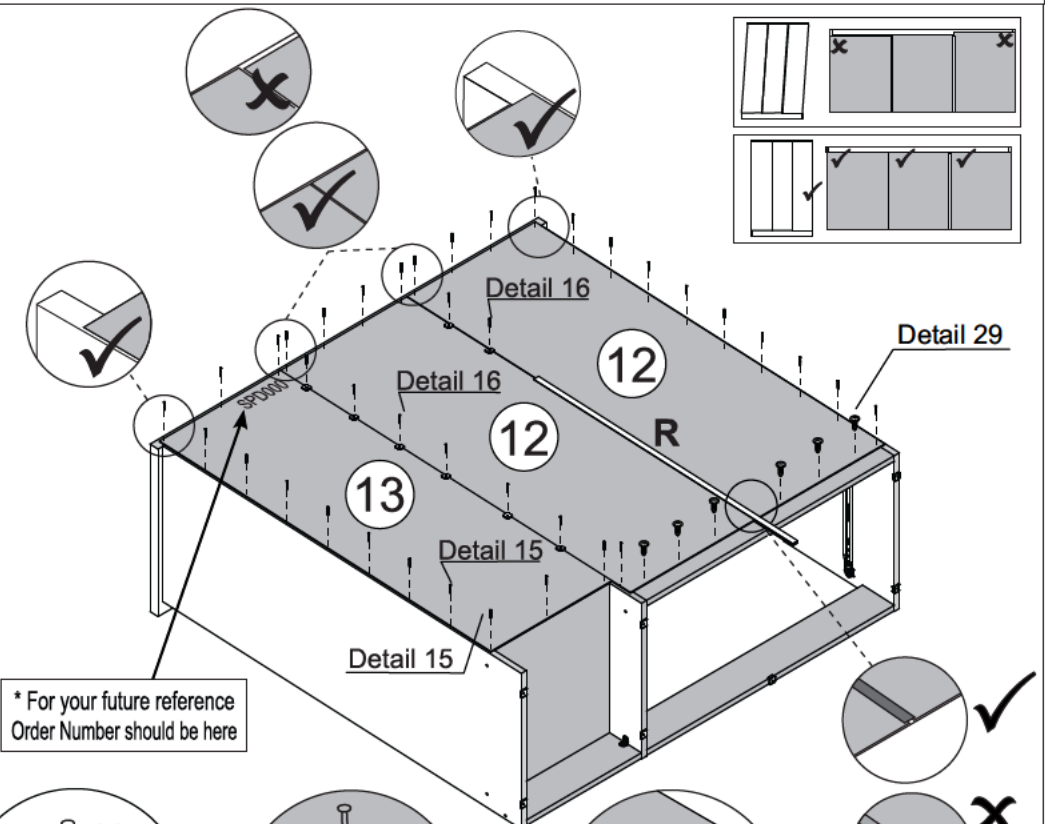
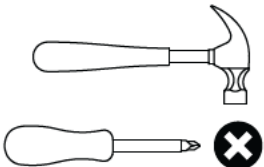
12 - LARGE BACK PANEL x2

13 - SMALL BACK PANEL x1

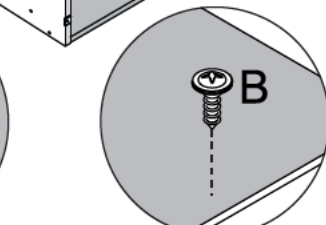
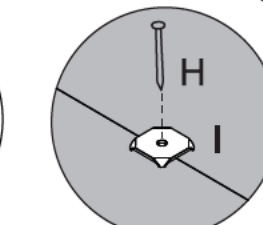
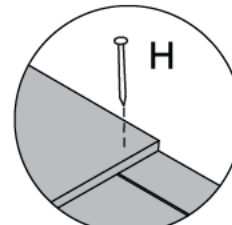
HARDWARE REQUIRED



TOOLS REQUIRED



* For your future reference
Order Number should be here



Detail 15

Detail 16

Detail 29

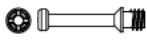
STEP 17

PARTS REQUIRED

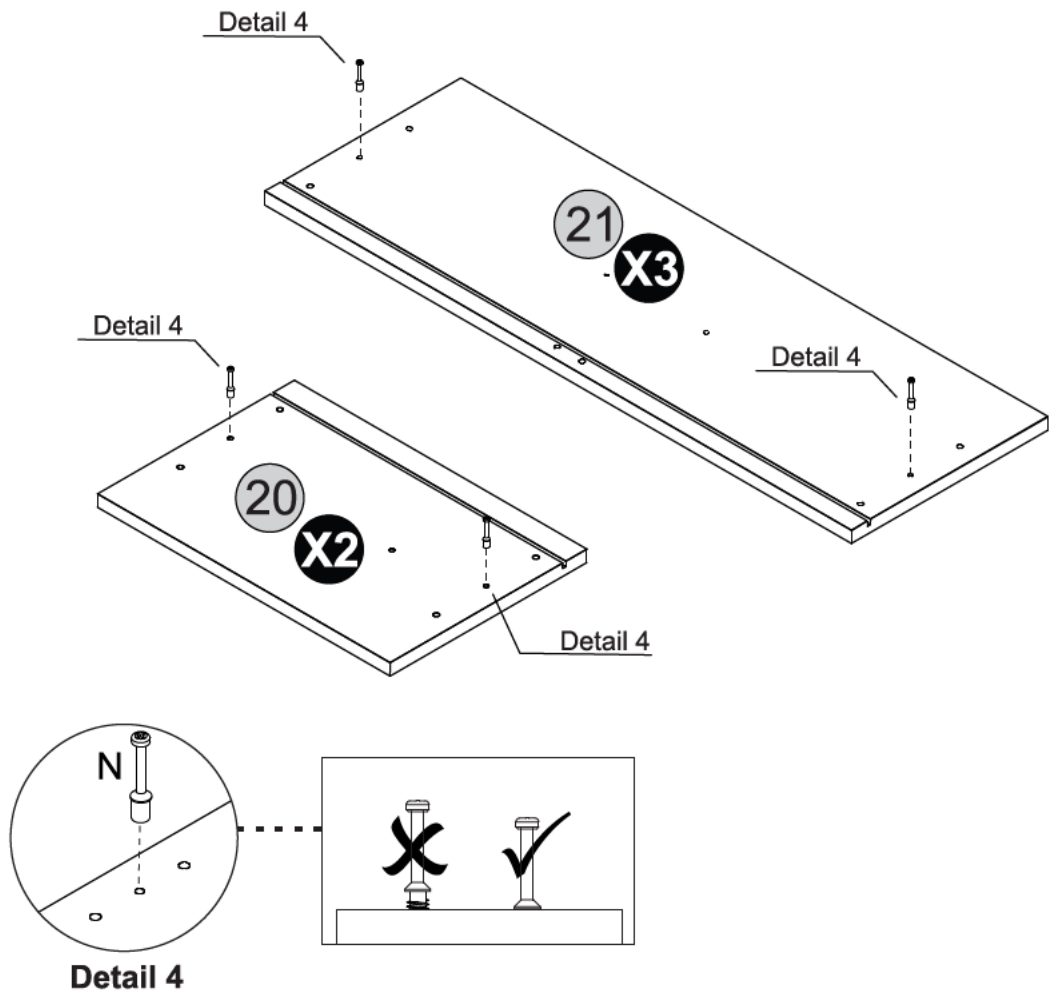
20 - SMALL DRAWER FRONT x2

21 - LARGE DRAWER FRONT x3

HARDWARE REQUIRED

N  10

TOOLS REQUIRED



STEP 18

PARTS REQUIRED

14 - DRAWER SIDE x10

15 - SMALL DRAWER BACK PANEL x2

16 - LARGE DRAWER BACK PANEL x3

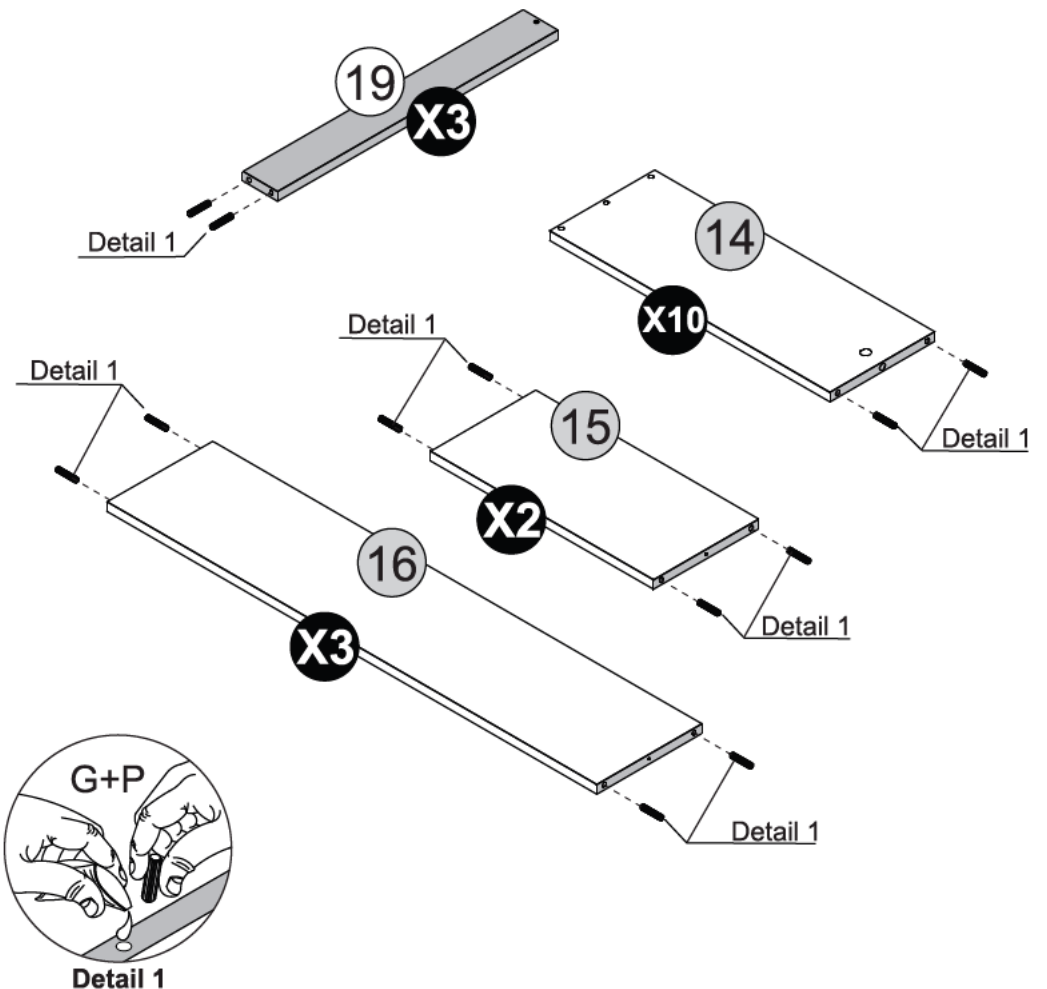
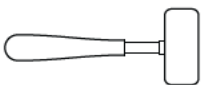
19 - DRAWER BOTTOM SUPPORT BAR x3

HARDWARE REQUIRED

G  46
Ø6,0 x 30mm

P  01

TOOLS REQUIRED




STEP 19


PARTS REQUIRED

14 - DRAWER SIDE x6

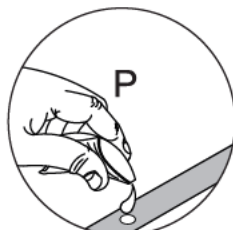
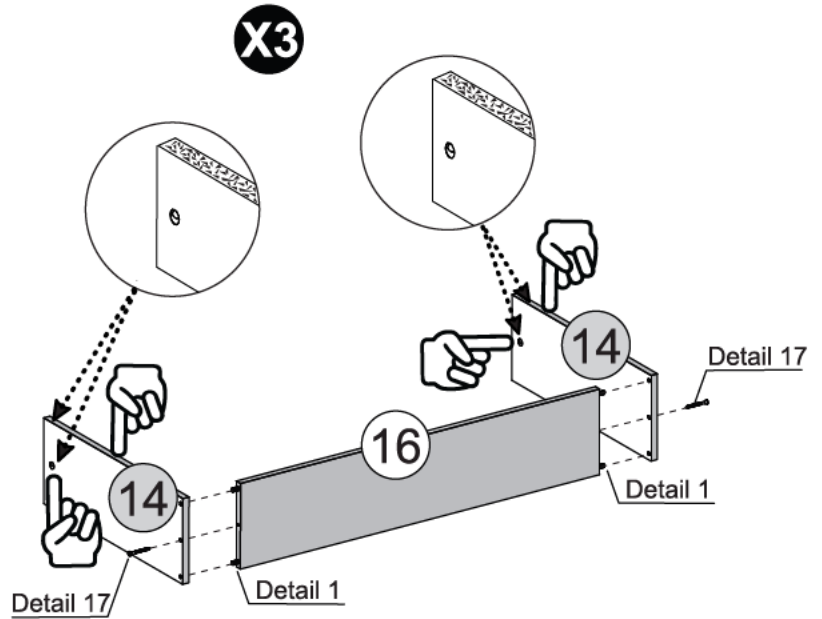
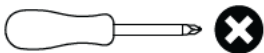
16 - LARGE DRAWER BACK PANEL x3

HARDWARE REQUIRED

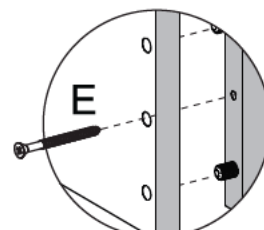
E  06
Ø4.0 x 45mm

P  01

TOOLS REQUIRED



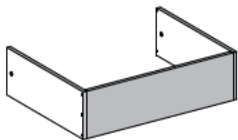
Detail 1



Detail 17

STEP 20

PARTS REQUIRED

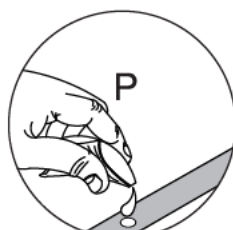
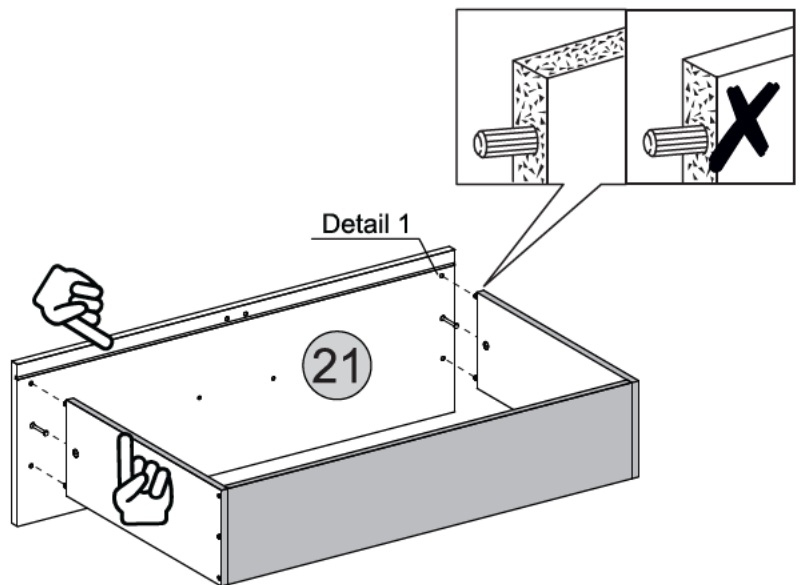


21 - LARGE DRAWER FRONT x3

HARDWARE REQUIRED

P  01

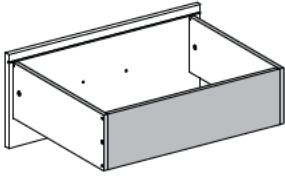
X3



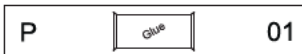
Detail 1

STEP 21

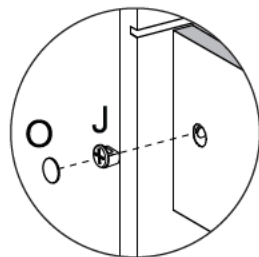
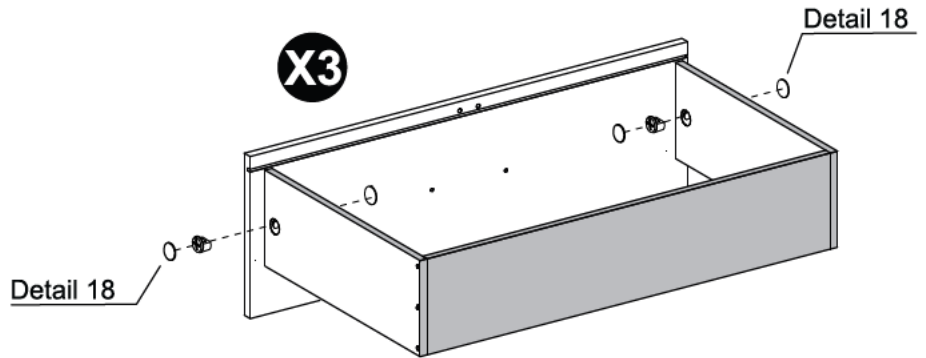
PARTS REQUIRED



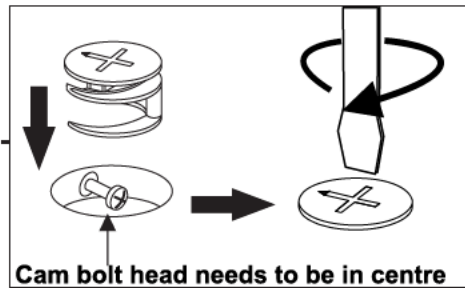
HARDWARE REQUIRED



TOOLS REQUIRED



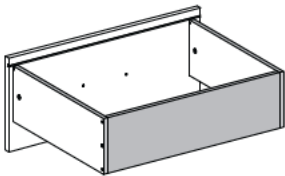
Detail 18



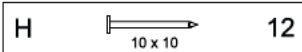
STEP 22

PARTS REQUIRED

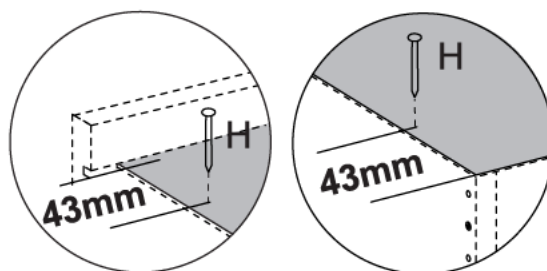
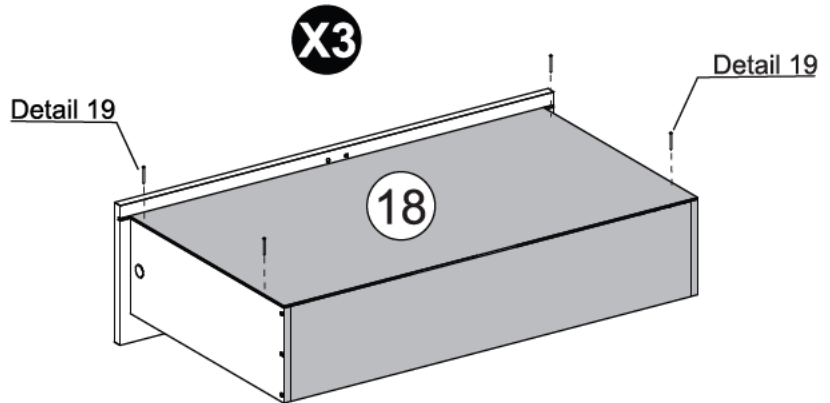
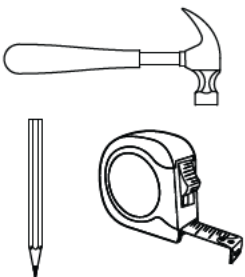
18 - LARGE DRAWER BOTTOM x3



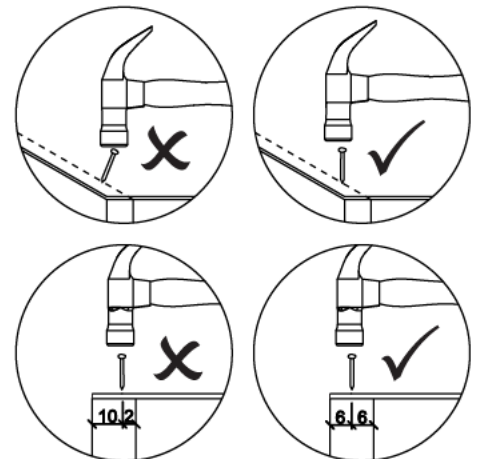
HARDWARE REQUIRED



TOOLS REQUIRED



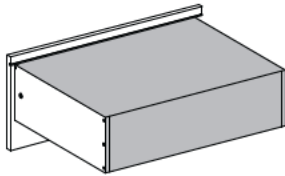
Detail 19



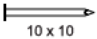
STEP 23

PARTS REQUIRED

19 - DRAWER BOTTOM SUPPORT BAR x3

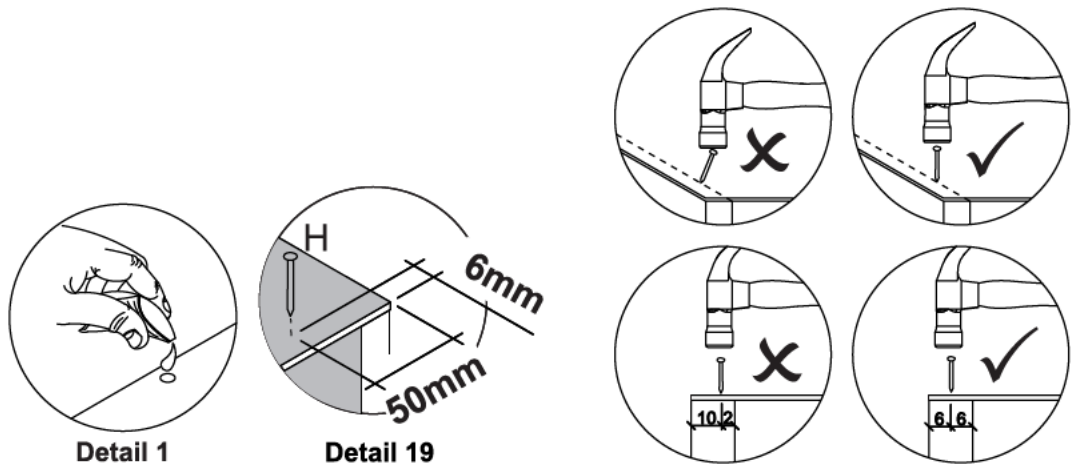
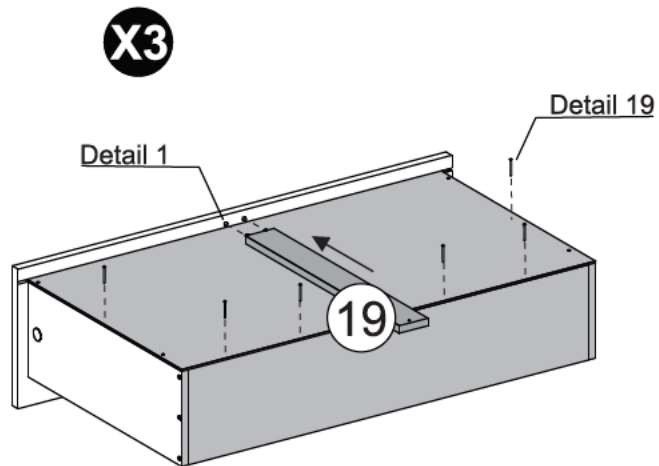
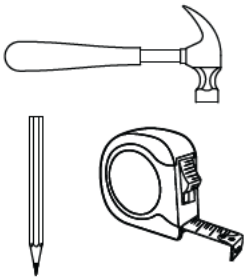


HARDWARE REQUIRED

H  18
10 x 10

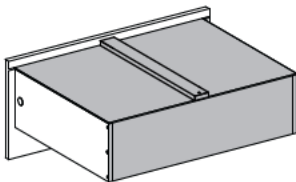
P  01
Glue

TOOLS REQUIRED

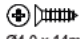


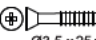
STEP 24

PARTS REQUIRED



HARDWARE REQUIRED

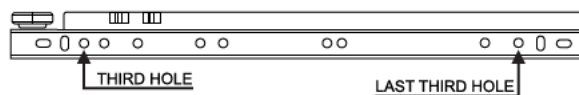
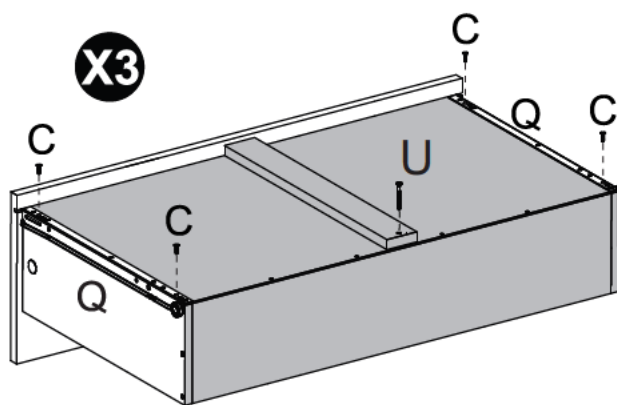
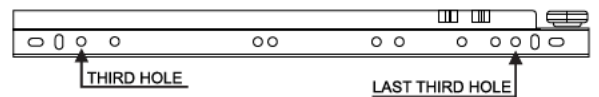
C  12
Ø4,0 x 14mm

U  03
Ø3,5 x 25mm

Q  03
LEFT

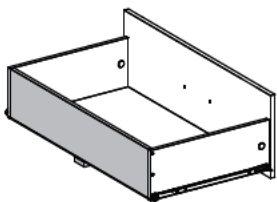
Q  03
RIGHT

TOOLS REQUIRED



STEP 25

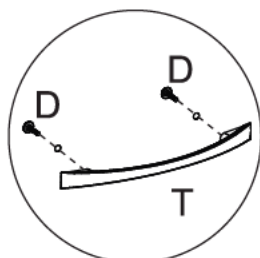
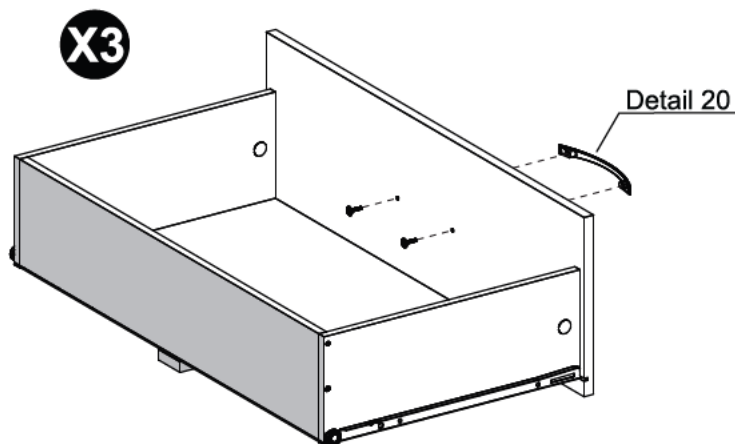
PARTS REQUIRED



HARDWARE REQUIRED



TOOLS REQUIRED



Detail 20

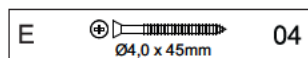
STEP 26

PARTS REQUIRED

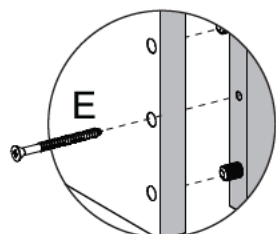
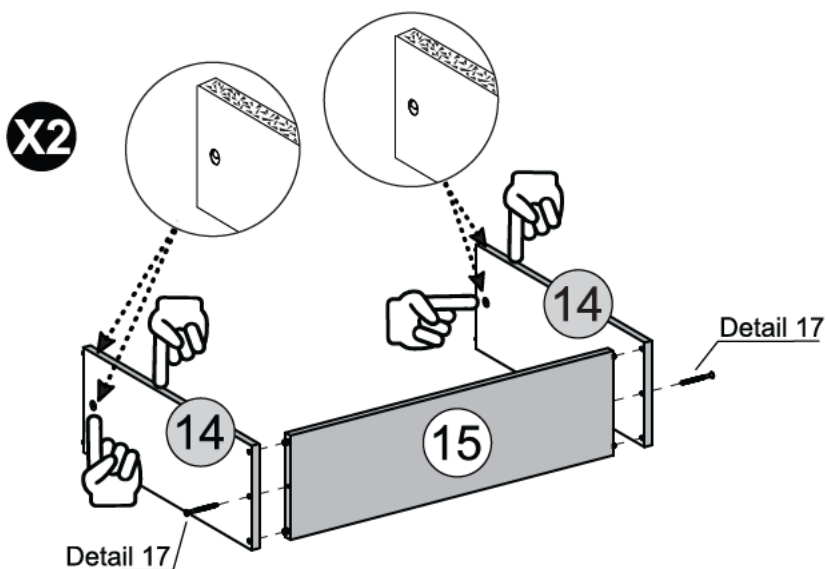
14 - DRAWER SIDE	x4
------------------	----

15 - SMALL DRAWER BACK PANEL	x2
------------------------------	----

HARDWARE REQUIRED

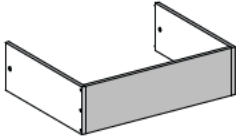


TOOLS REQUIRED



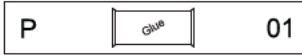
STEP 27

PARTS REQUIRED

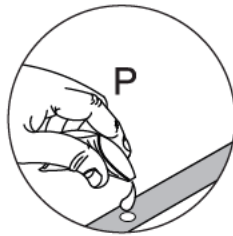
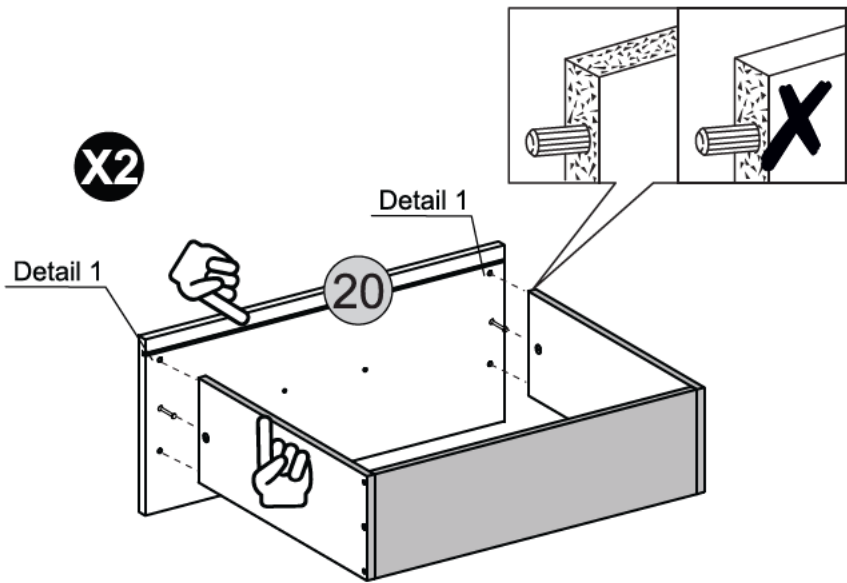


20 - SMALL DRAWER FRONT x2

HARDWARE REQUIRED



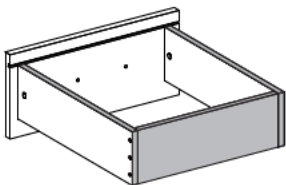
TOOLS REQUIRED



Detail 1

STEP 28

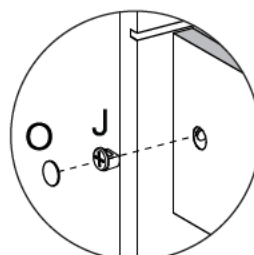
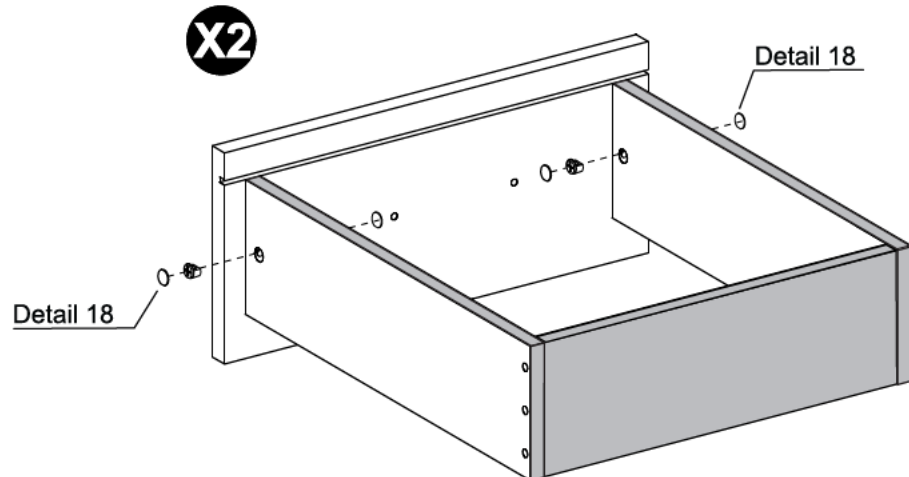
PARTS REQUIRED



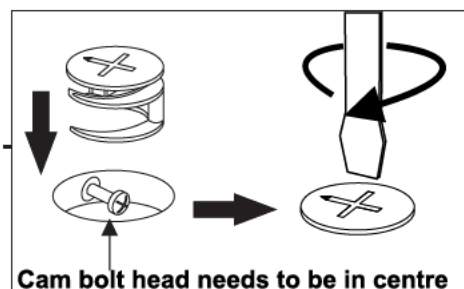
HARDWARE REQUIRED



TOOLS REQUIRED

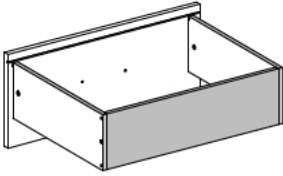


Detail 18



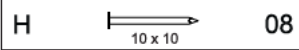
STEP 29

PARTS REQUIRED

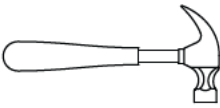


17 - SMALL DRAWER BOTTOM x2

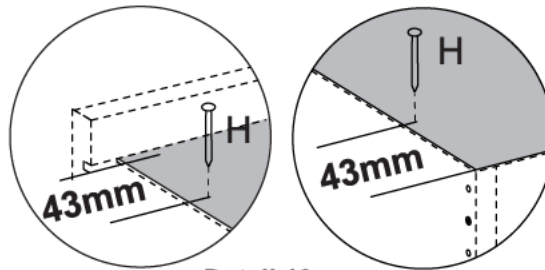
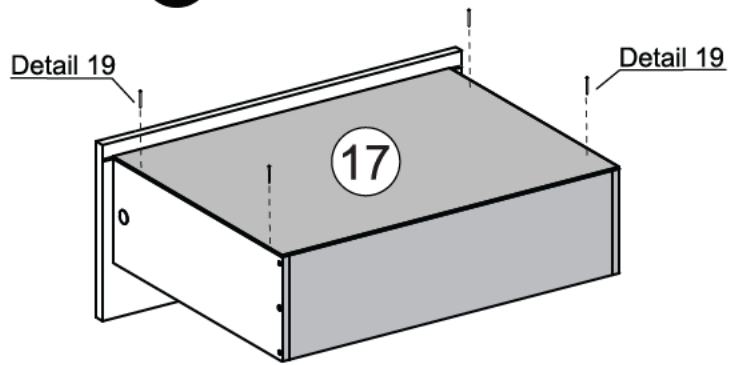
HARDWARE REQUIRED



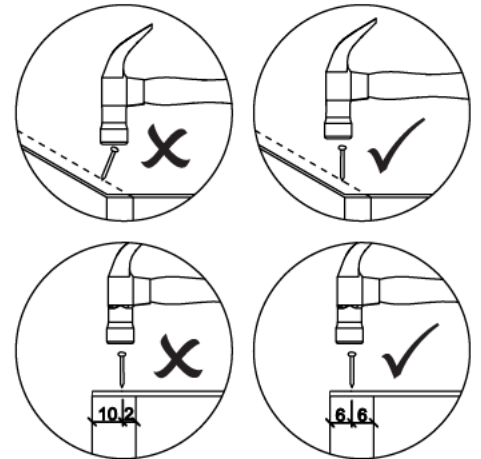
TOOLS REQUIRED



X2

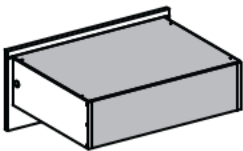


Detail 19

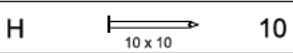


STEP 30

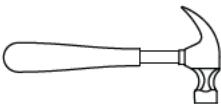
PARTS REQUIRED



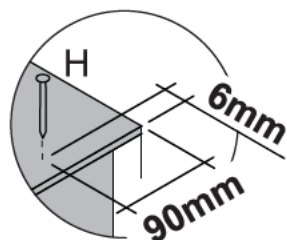
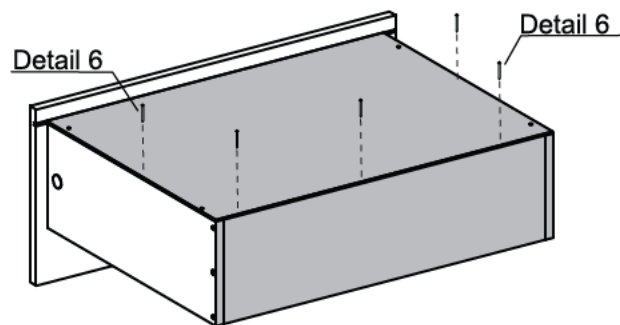
HARDWARE REQUIRED



TOOLS REQUIRED



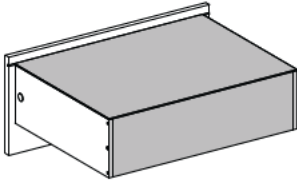
X2



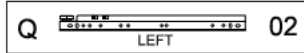
Detail 6

STEP 31

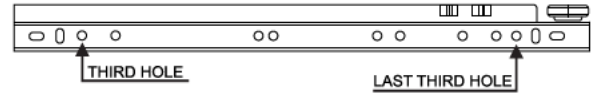
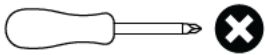
PARTS REQUIRED



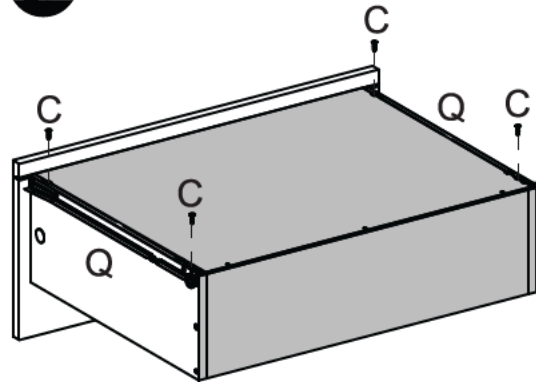
HARDWARE REQUIRED



TOOLS REQUIRED

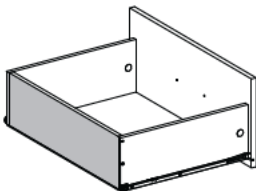


X2

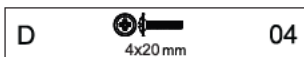


STEP 32

PARTS REQUIRED



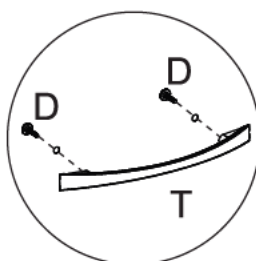
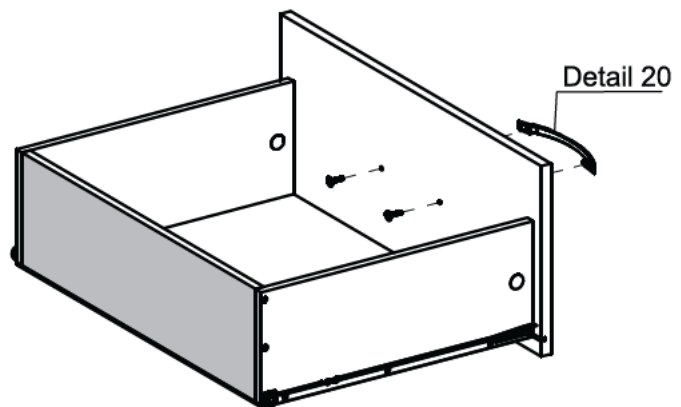
HARDWARE REQUIRED



TOOLS REQUIRED



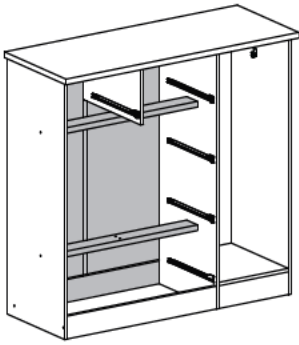
X2



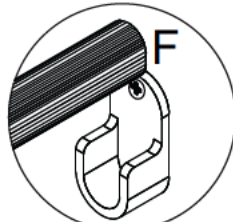
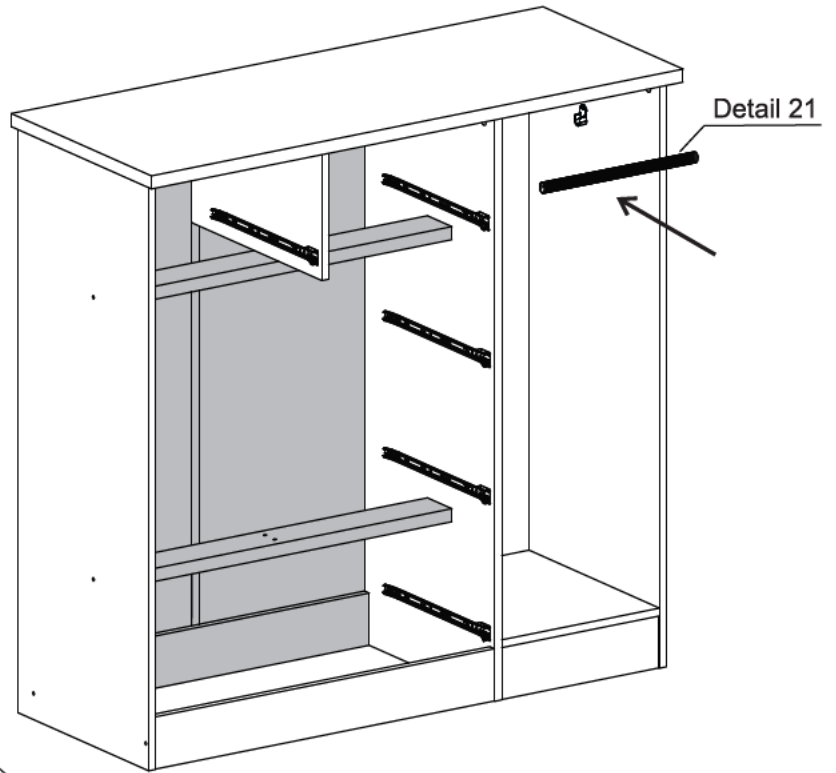
Detail 20

STEP 33

PARTS REQUIRED



HARDWARE REQUIRED



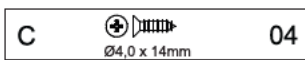
Detail 21

STEP 34

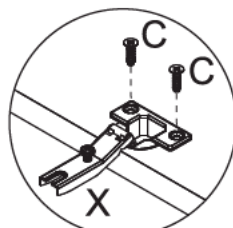
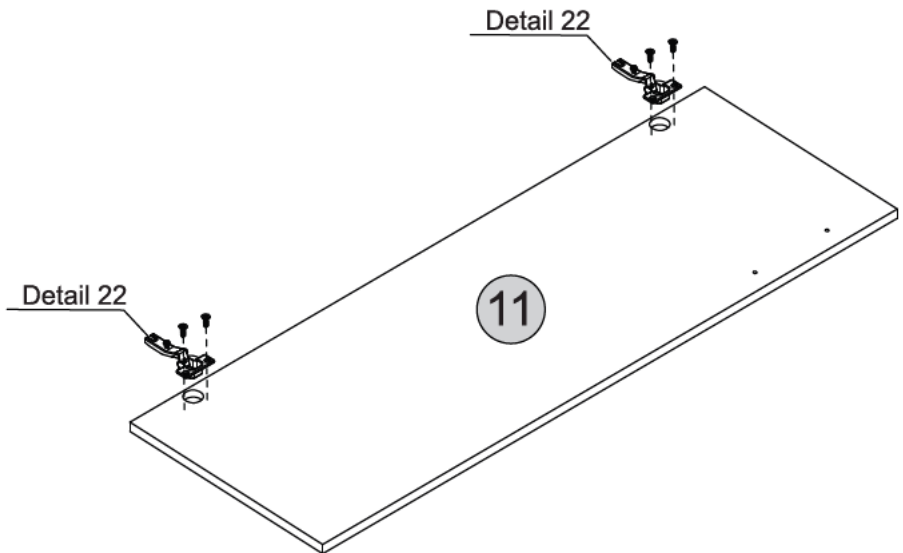
PARTS REQUIRED



HARDWARE REQUIRED



TOOLS REQUIRED

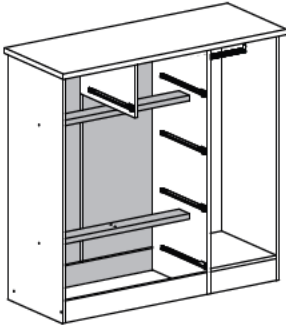


Detail 22

STEP 35

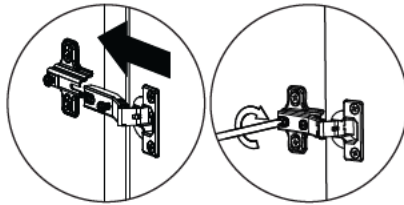
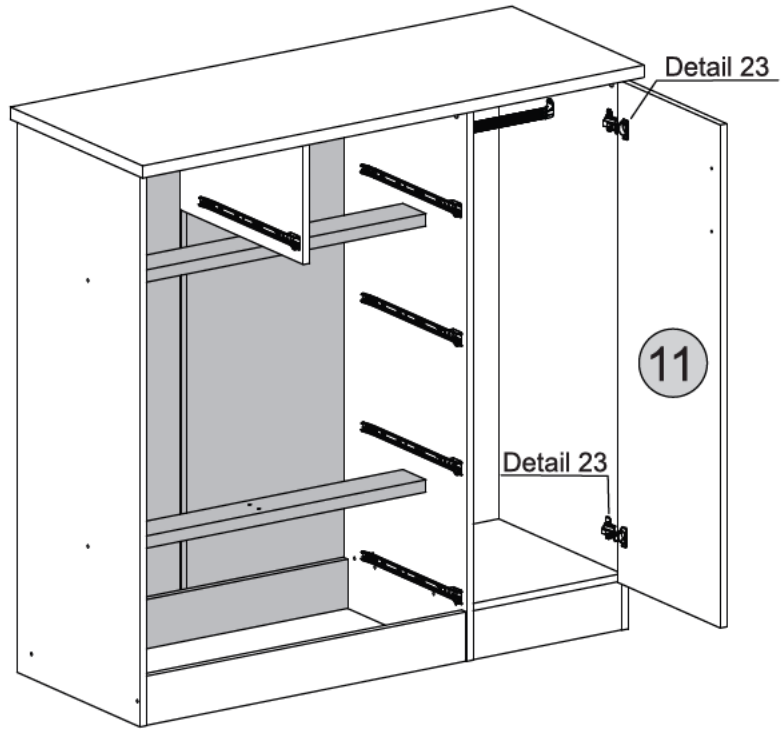
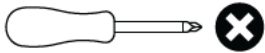
PARTS REQUIRED

11 - DOOR x1



HARDWARE REQUIRED

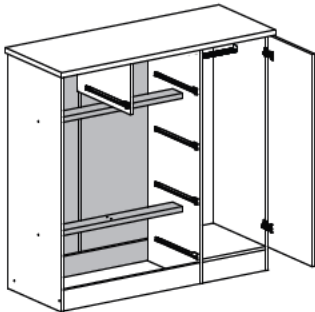
TOOLS REQUIRED




Detail 23

STEP 36

PARTS REQUIRED

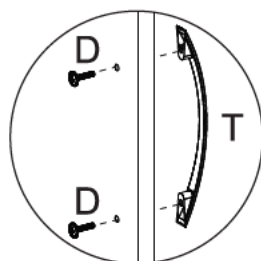
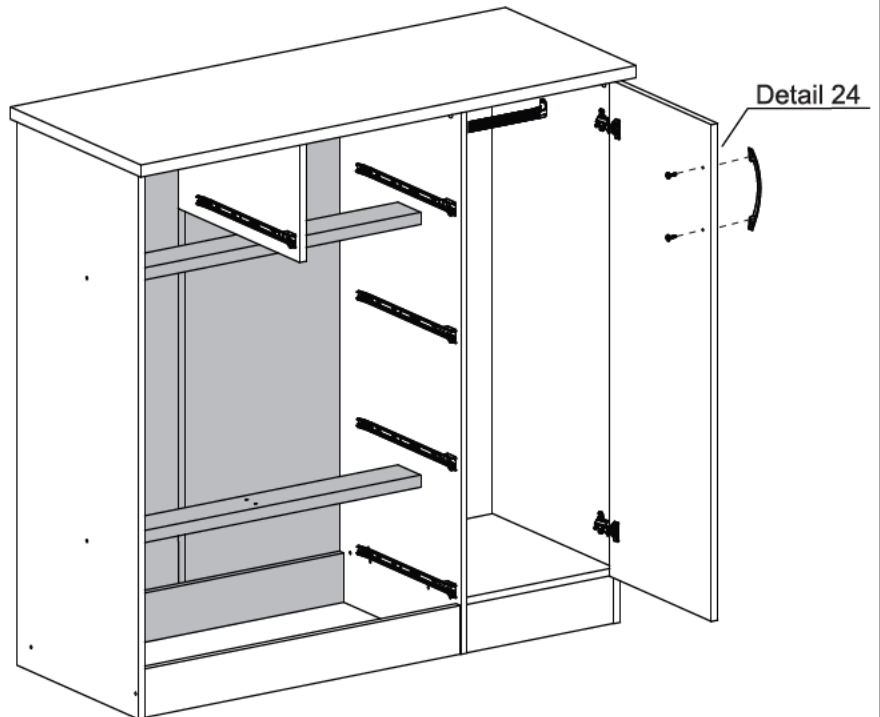


HARDWARE REQUIRED

D  02
4x20 mm

T  01

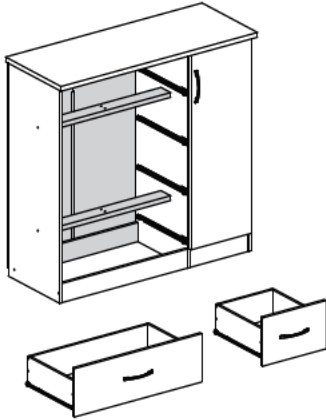
TOOLS REQUIRED



Detail 24

STEP 37

PARTS REQUIRED



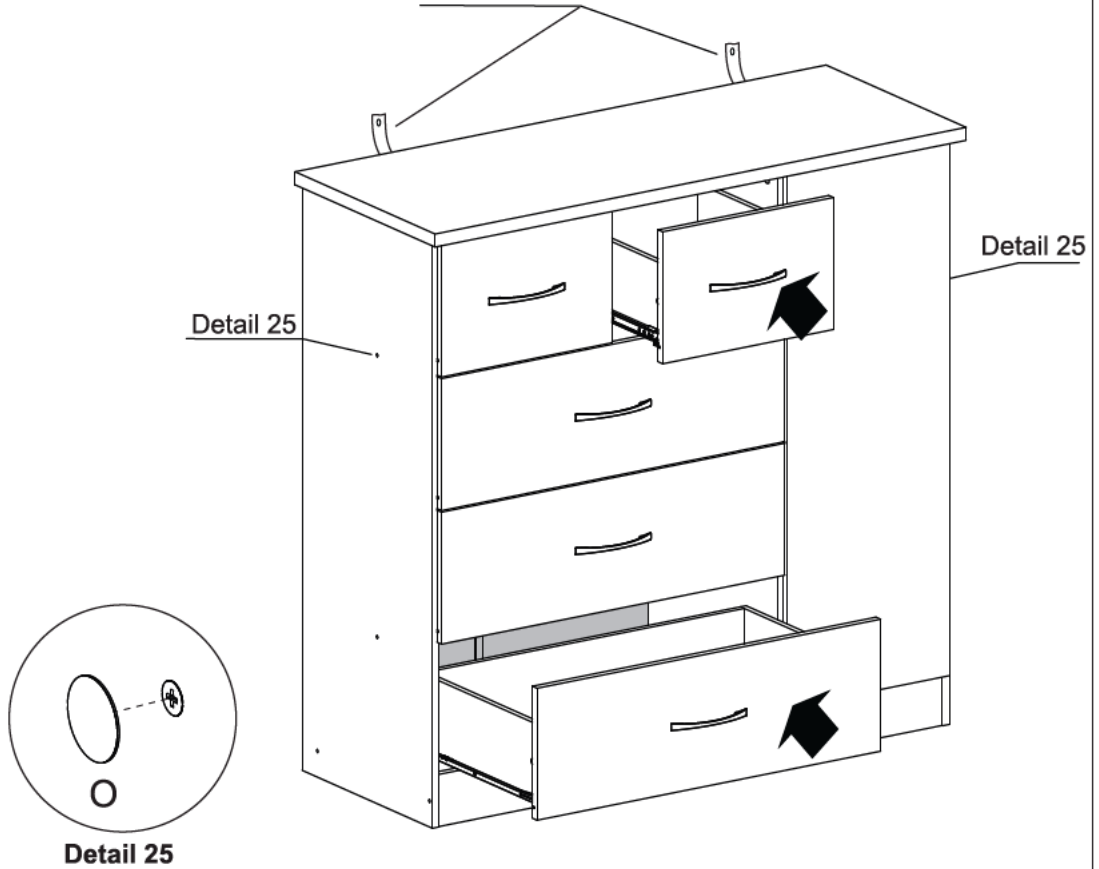
HARDWARE REQUIRED



TIP
If desired, after assembly use an alcohol cleaner to erase the number printed on the parts.

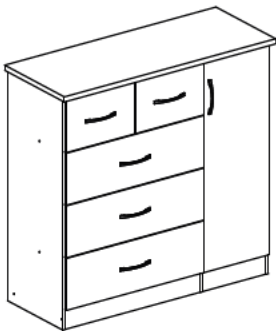


See the last page

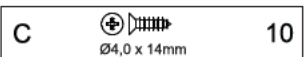


STEP 38

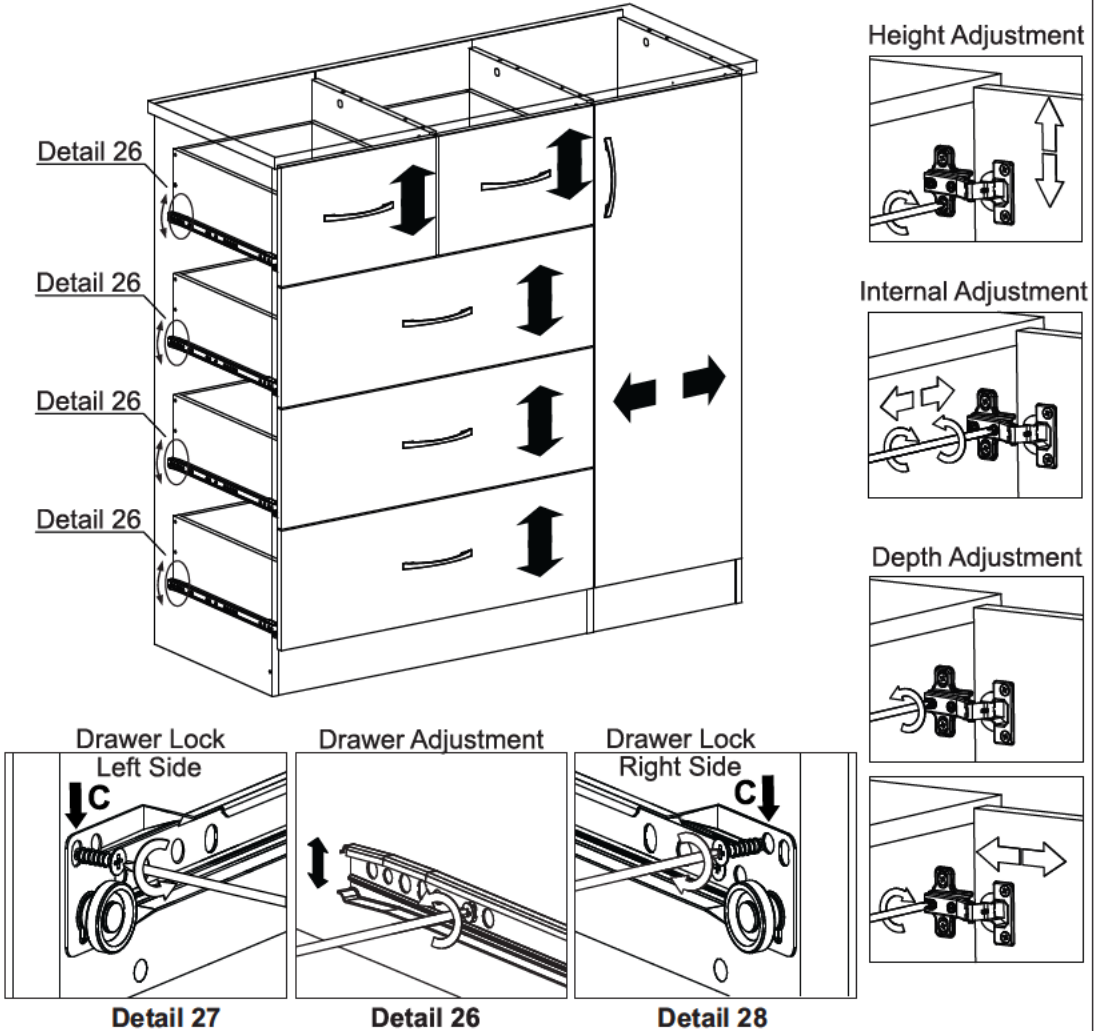
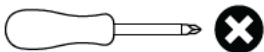
PARTS REQUIRED



HARDWARE REQUIRED



TOOLS REQUIRED



Detail 27

Detail 26

Detail 28

WARNING

Serious or fatal injuries can occur from furniture tipping over. To prevent the furniture from tipping over we recommend that it is permanently fixed to the wall.

Wall fixings are not supplied with this product as different wall materials require different types of fixing devices.

Please make sure you use fixings suitable for the walls in your home.

