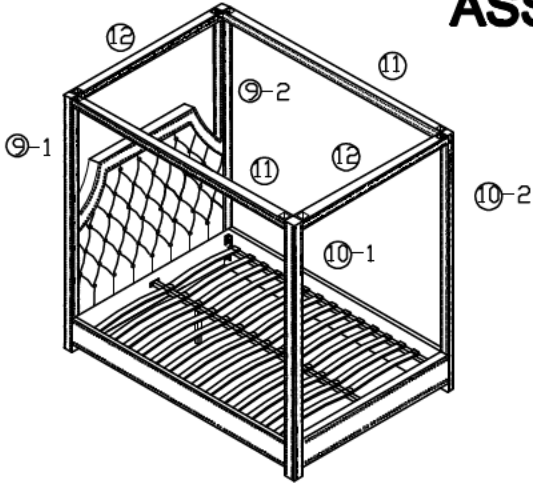


# ASSEMBLY INSTRUCTIONS

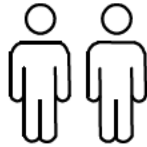
## BED - queen



**+ Do Not Use Power Tools**



**+ Suggested Adults**



**NOTE:**

- 1 Read instructions cover to cover.
- 2 Save all packaging until assembly is completed.

**1 IMPORTANT SAFETY INFORMATION**

Do not assemble the product if any of the following parts arrived damaged:

- Part #③ -Side Rails
- Part #⑤ -Center Support Bar
- Part #⑥ -Support Legs
- Part #⑦ -Slats

**2 IMPORTANT ASSEMBLY INFORMATION**

Assembly Step ③ Ensure the side rail bracket is fully hooked onto bolt A loosely threaded with both washers on the OUTSIDE of the bracket first, then proceed to fully tightening all 4 corners.

Assembly Step ⑨ When installing slats, ensure that the curve is facing upwards. (↖) (✗)

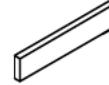
\*Slats come packed in the bottom of headboard carton.

**+ Parts Included**

① Head Board (1pc)



② Foot Board (1pc)



③ Side Rails (2pcs)



④ Double Plastic cap (15pcs)



⑤ Center Support Bar (1pc)



⑥ Support Legs (2pcs)



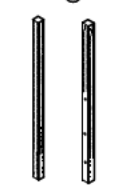
⑦ Slats (30pcs)



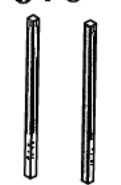
⑧ Single Plastic cap (30pcs)



⑨ Bar 2pcs



⑩ Bar 2pcs



\*Slats come packed in the bottom of headboard carton.

⑪ Bar 2pcs



⑫ Bar 2pcs



**+ Hardware Included**

A Bolt M8\*30mm (24pcs)



C Nut M8\*13mm (22pcs)



D Spring Washer (16pcs)



E flat washer 10x20mm (24pcs)



F M8 Allen Key 1pc



G Spanner 1pc



H M8\*82mm (26pcs)



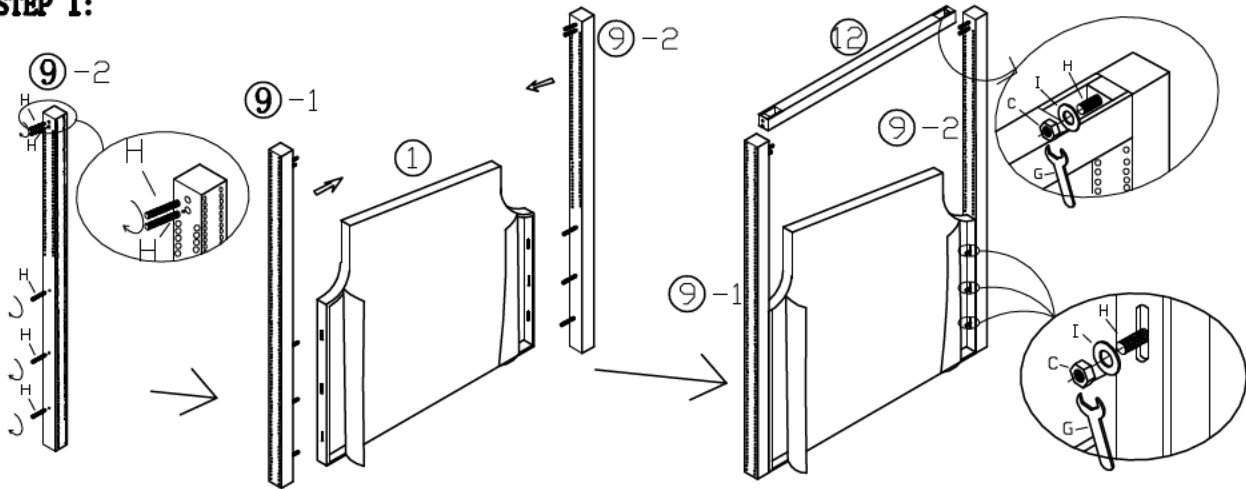
I flat washer 10x22mm (18pcs)



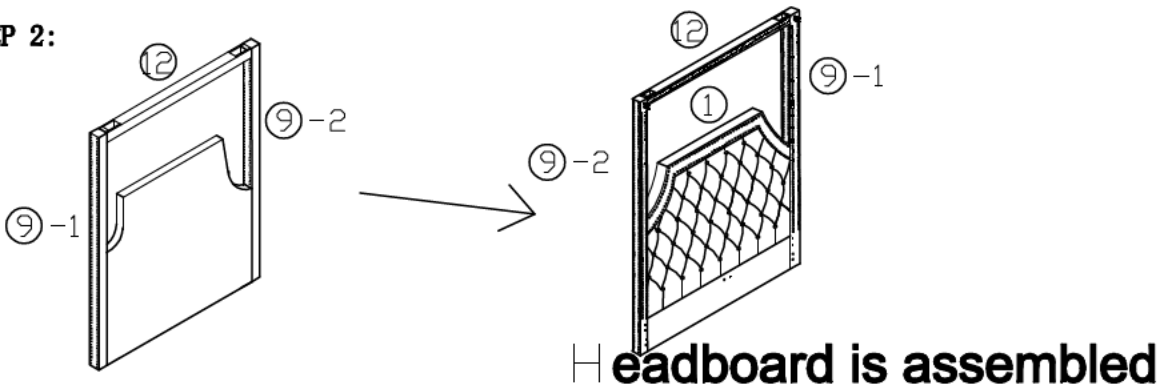
# ASSEMBLY INSTRUCTIONS

## BED - queen

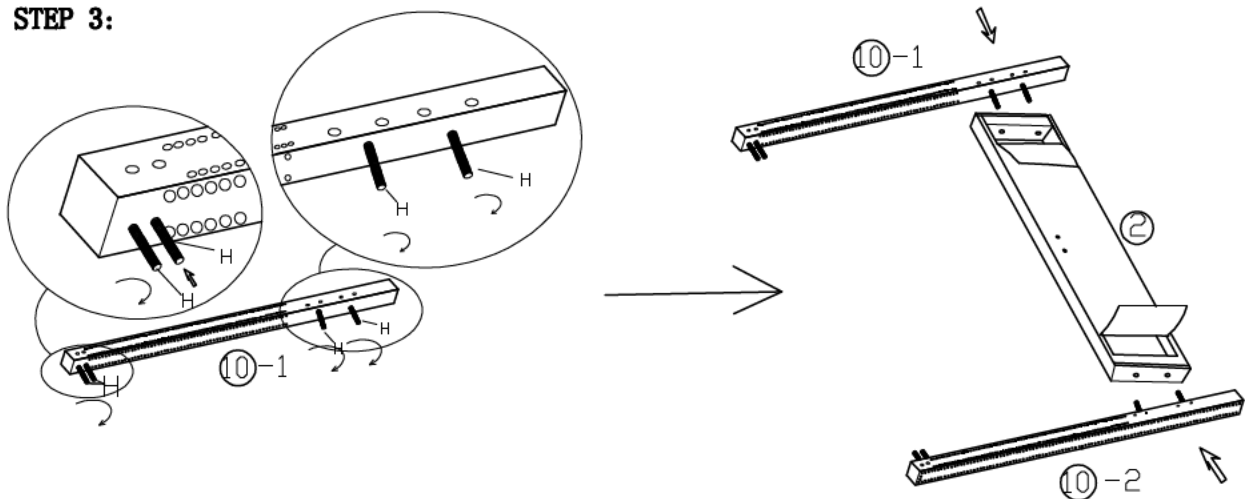
### STEP 1:



### STEP 2:



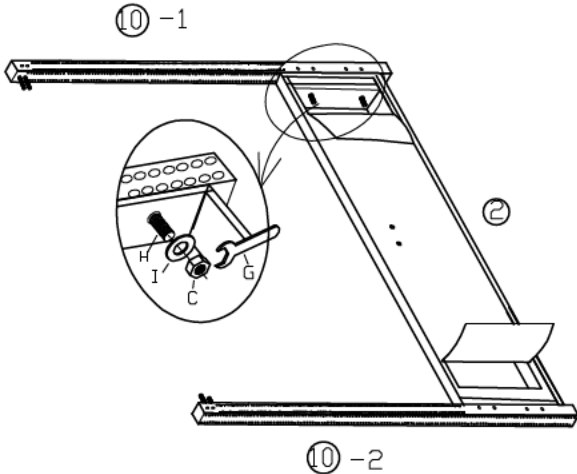
### STEP 3:



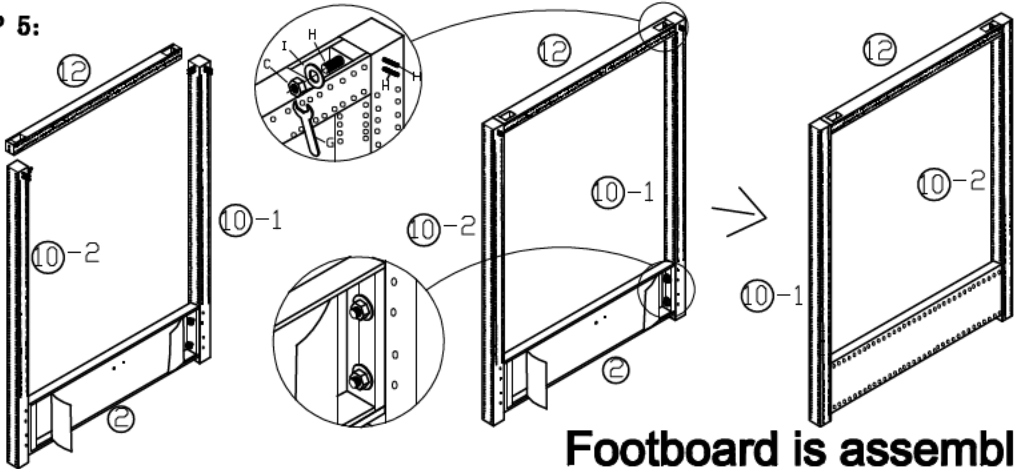
# ASSEMBLY INSTRUCTIONS

## BED - queen

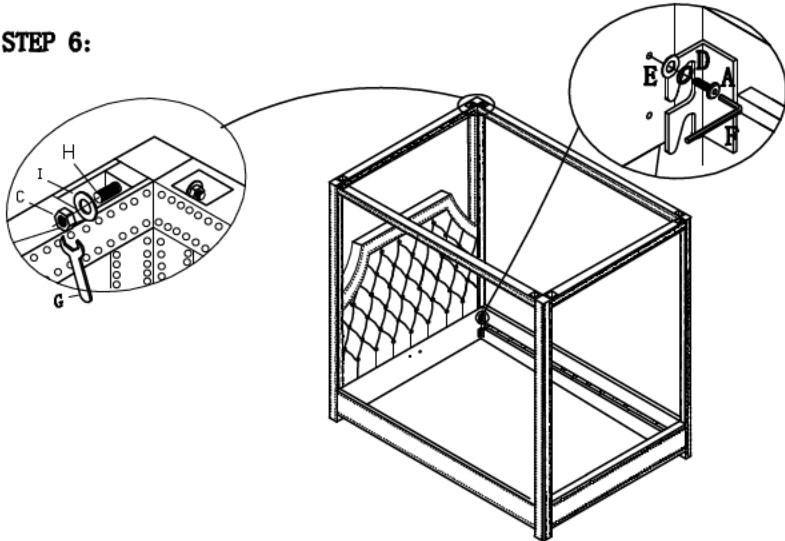
STEP 4:



STEP 5:



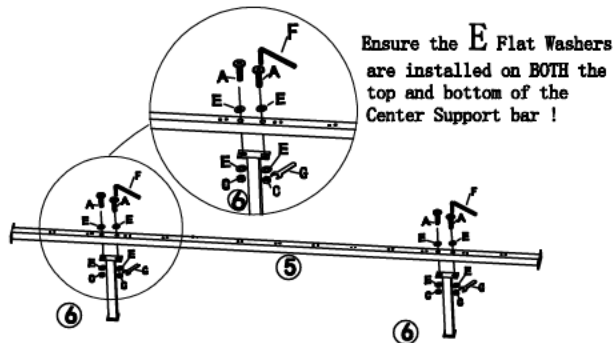
STEP 6:



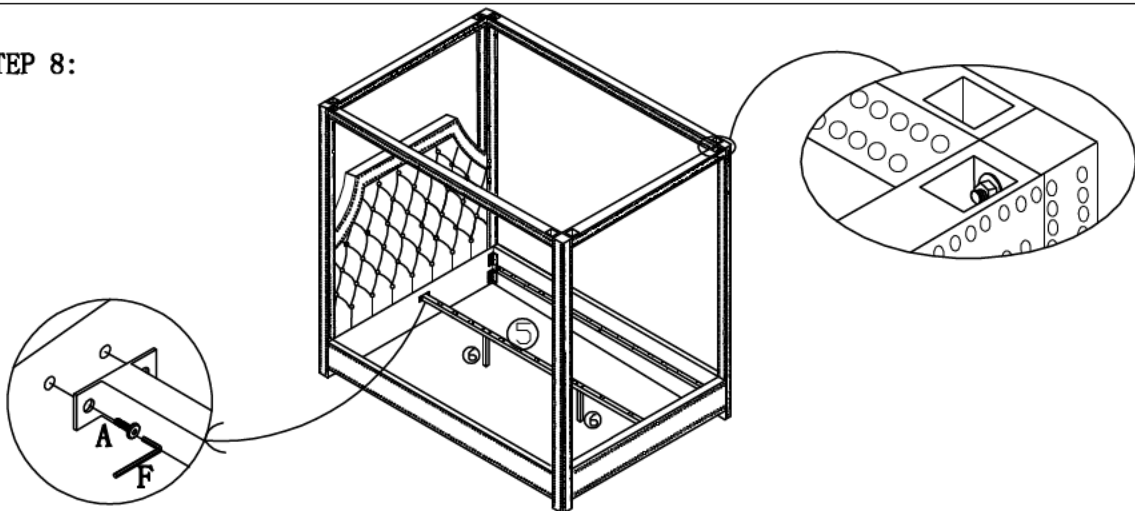
# ASSEMBLY INSTRUCTIONS

## BED - queen

STEP 7:

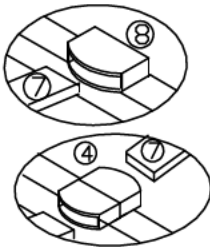


STEP 8:



STEP 9:

When installing slats, ensure that the curve is facing upwards. (✓) (✗)



packed in the bottom of headboard carton.

