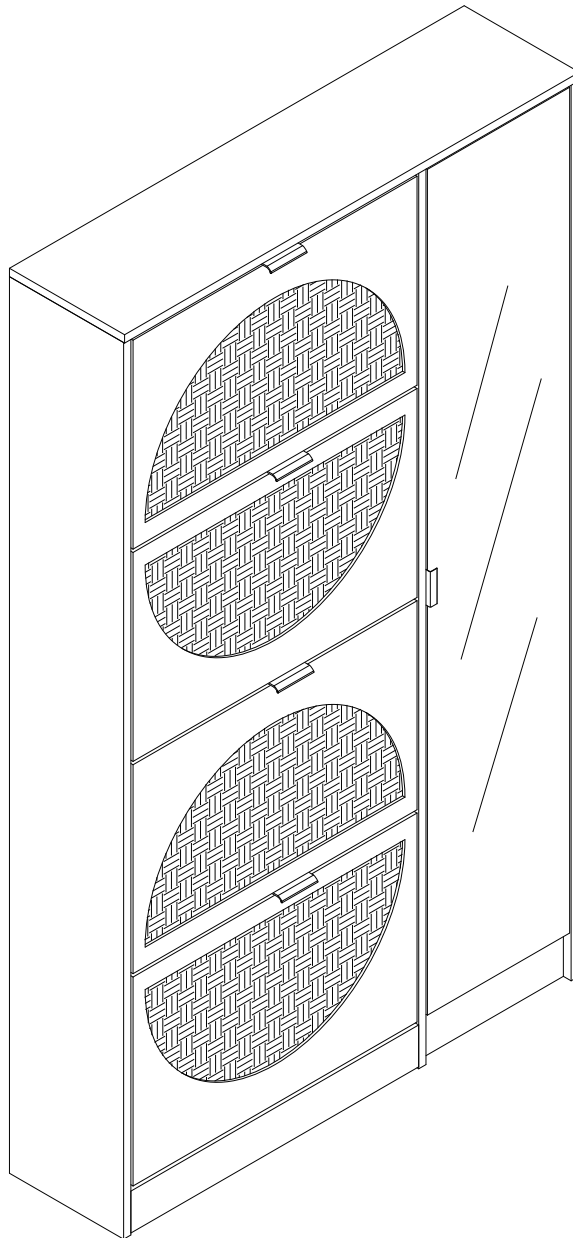


# Installation Instruction



---

## 5 door cabinet

Ver.1.0 20220815

# Assembling

---

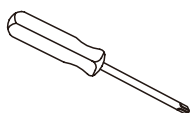
## Estimated time for assembly



**45 : 00**

## What you need

- Use the packaging carton as a working surface to prevent product damage during assembly
- Phillips head screwdriver



## Weight Limitation



**55**

lbs table top

**| 11**

lbs per shelf

## What's included

Code	Description	Qty
A	Cam Bolt M6X35MM	26
B	Cam Lock 15X12MM	26
C	Wooden Dowel M8X30MM	22
D	Screw M3.5X12MM	68
E	Handle	5
F	Screw M3.5X12MM(Black)	10
G	Inner Shaft	8
H	Stopper	8
I	External Shaft	8
J	Plastic corner support	24
K	Screw M3X14MM	24
L	Left Plastic Holder	4
M	Door stopper	1
N	Metal Support	8
O	Screw M4X12MM	2
P	Wall Plugs	2
Q	Screw M4X35MM	6
R	Right Plastic Holder	4
S	Metal connector	2
T	Screw M4X10MM	8
U	Hinge	3
V	Foot pad with pin	6

# The Hardware

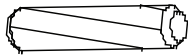
A



B



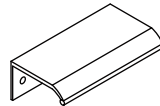
C



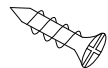
D



E



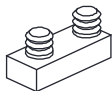
F



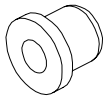
G



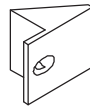
H



I



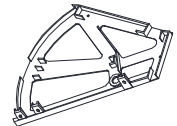
J



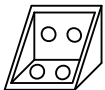
K



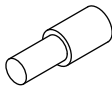
L



M



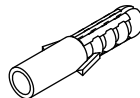
N



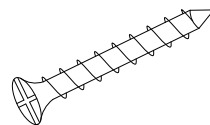
O



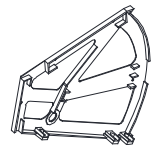
P



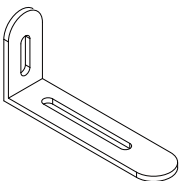
Q



R



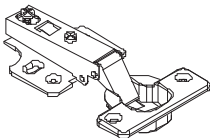
S



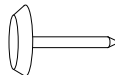
T



U



V

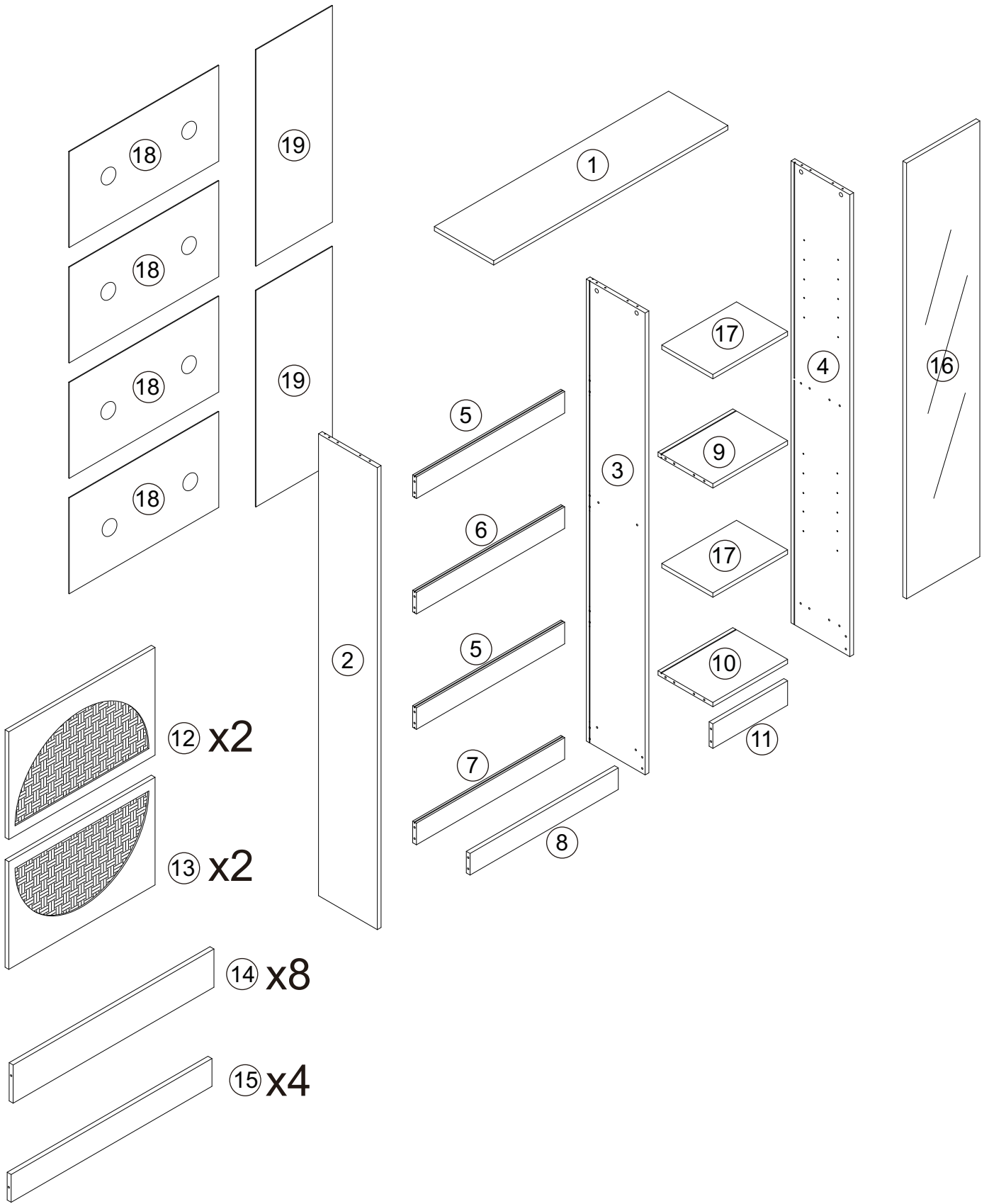


**IMPORTANT:**

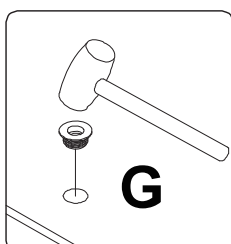
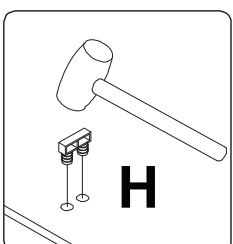
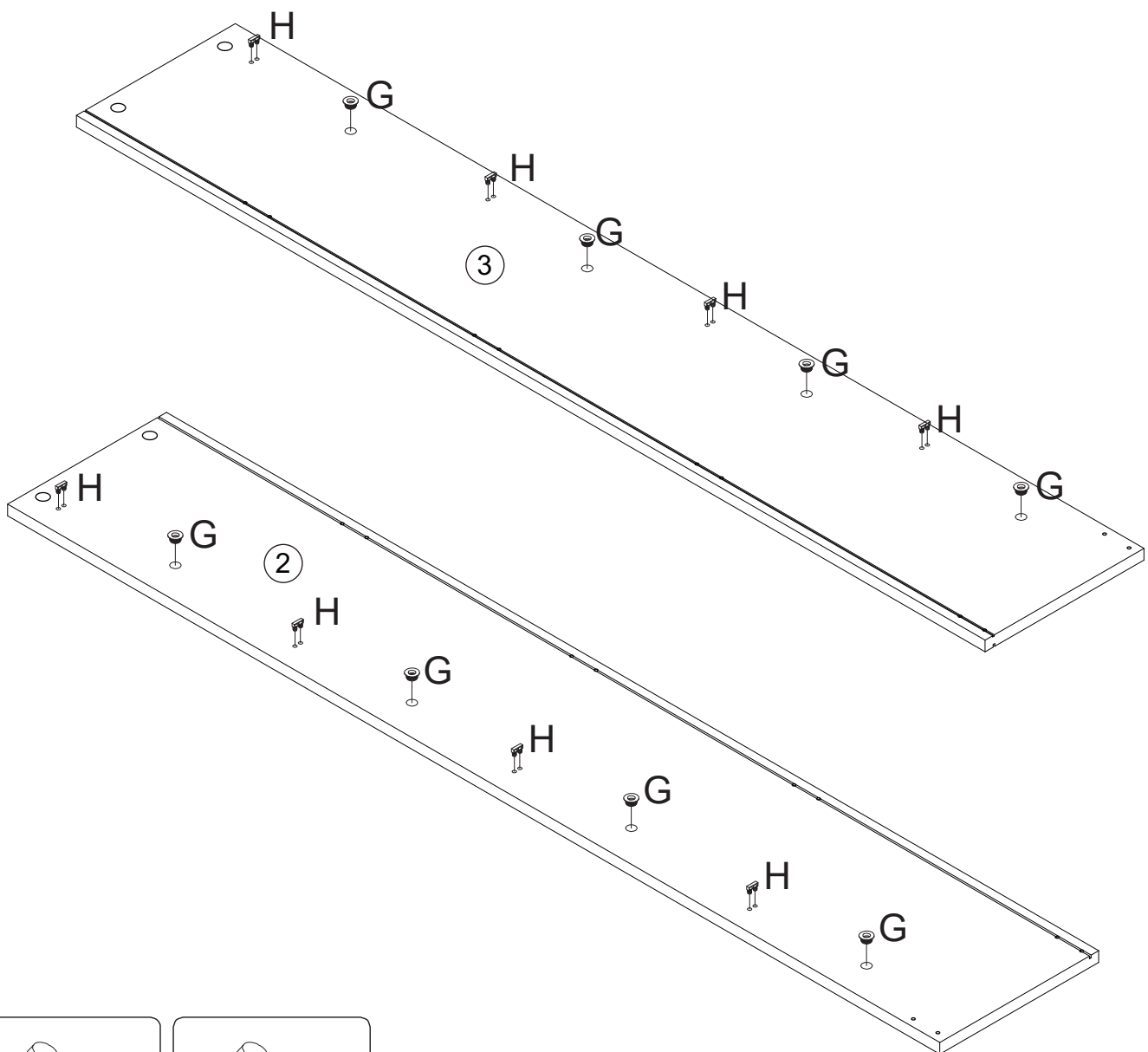
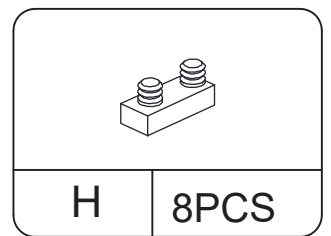
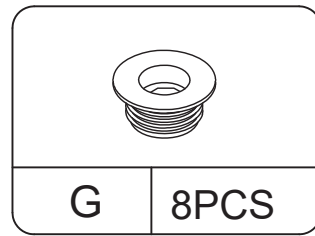
1. Do not tighten bolts / screws completely until all bolts / screws are lined up and inserted into holes.
2. Do not over tighten screws and bolts to avoid stripping.
3. Please use hand tools to assemble this product. Do not use power tools.

# Included Accessories

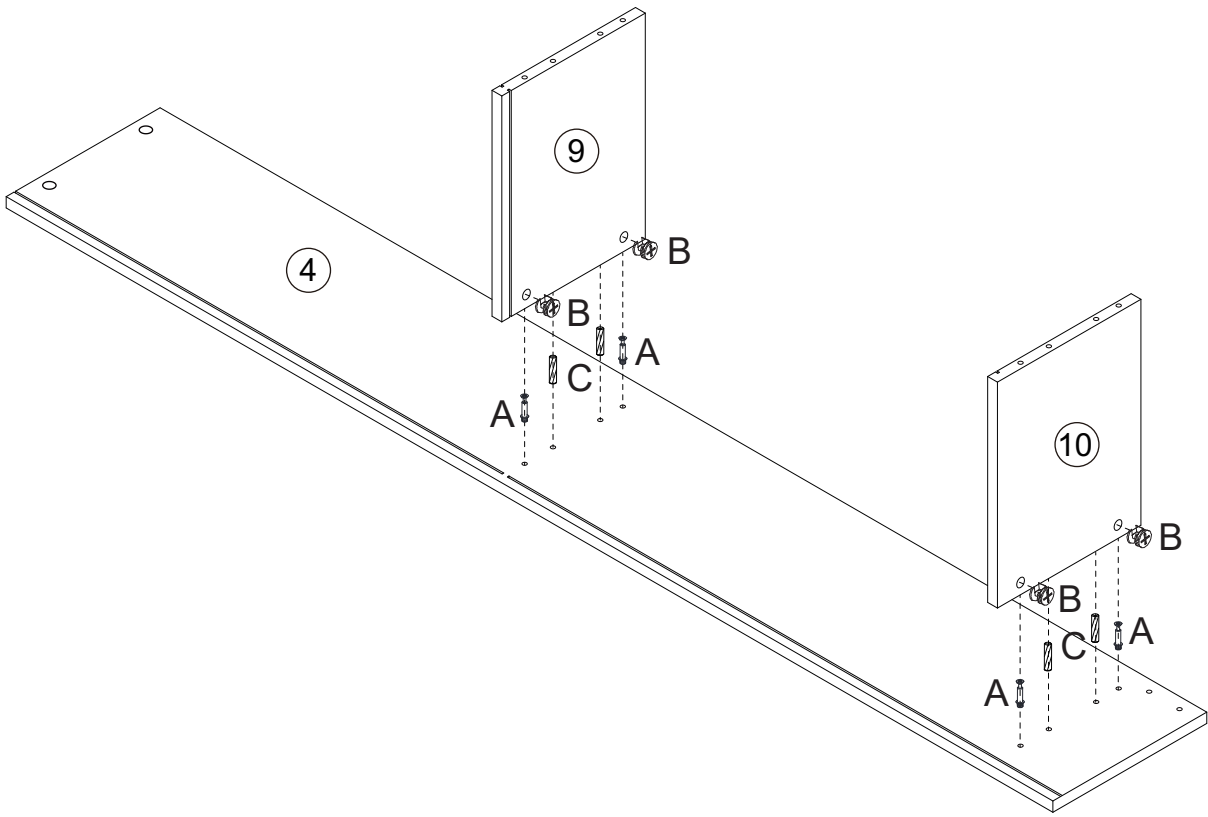
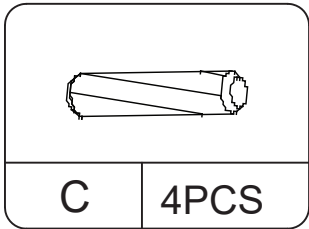
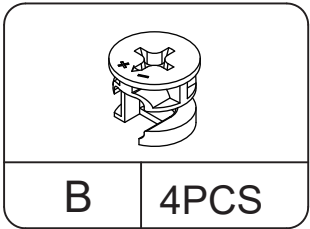
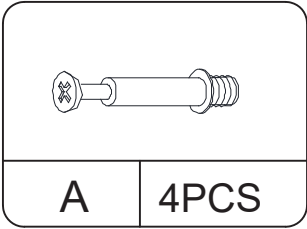
<b>Code</b>	<b>Description</b>	<b>Qty</b>
<b>1</b>	<b>Cabinet Top</b>	<b>1</b>
<b>2</b>	<b>Left Side Panel</b>	<b>1</b>
<b>3</b>	<b>Middle Side Panel</b>	<b>1</b>
<b>4</b>	<b>Right Side Panel</b>	<b>1</b>
<b>5</b>	<b>Rear Stretcher</b>	<b>2</b>
<b>6</b>	<b>Middle Stretcher</b>	<b>1</b>
<b>7</b>	<b>Left Back Bottom Stretcher</b>	<b>1</b>
<b>8</b>	<b>Left Front Bottom Stretcher</b>	<b>1</b>
<b>9</b>	<b>Fixed Shelf</b>	<b>1</b>
<b>10</b>	<b>Bottom Panel</b>	<b>1</b>
<b>11</b>	<b>Right Front Bottom Stretcher</b>	<b>1</b>
<b>12</b>	<b>Upper Front Door Panel</b>	<b>2</b>
<b>13</b>	<b>Lower Front Door Panel</b>	<b>2</b>
<b>14</b>	<b>Back Clapboard</b>	<b>8</b>
<b>15</b>	<b>Bottom Clapboard</b>	<b>4</b>
<b>16</b>	<b>Right Front Panel</b>	<b>1</b>
<b>17</b>	<b>Removable Shelf</b>	<b>2</b>
<b>18</b>	<b>Left Back Panel</b>	<b>4</b>
<b>19</b>	<b>Right Back Panel</b>	<b>2</b>



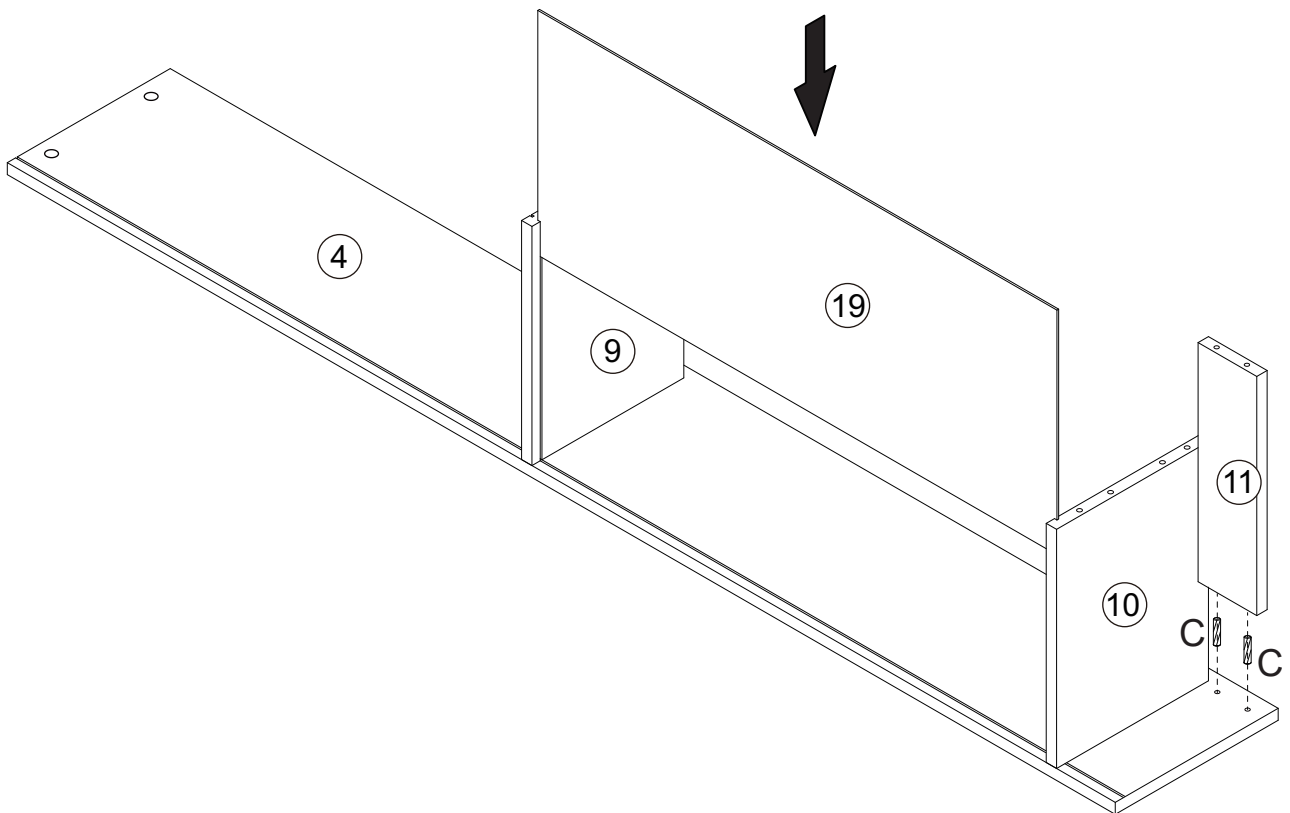
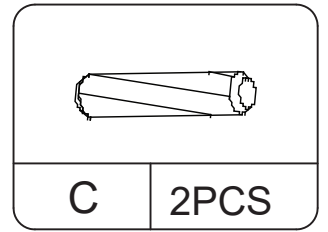
# Step 1



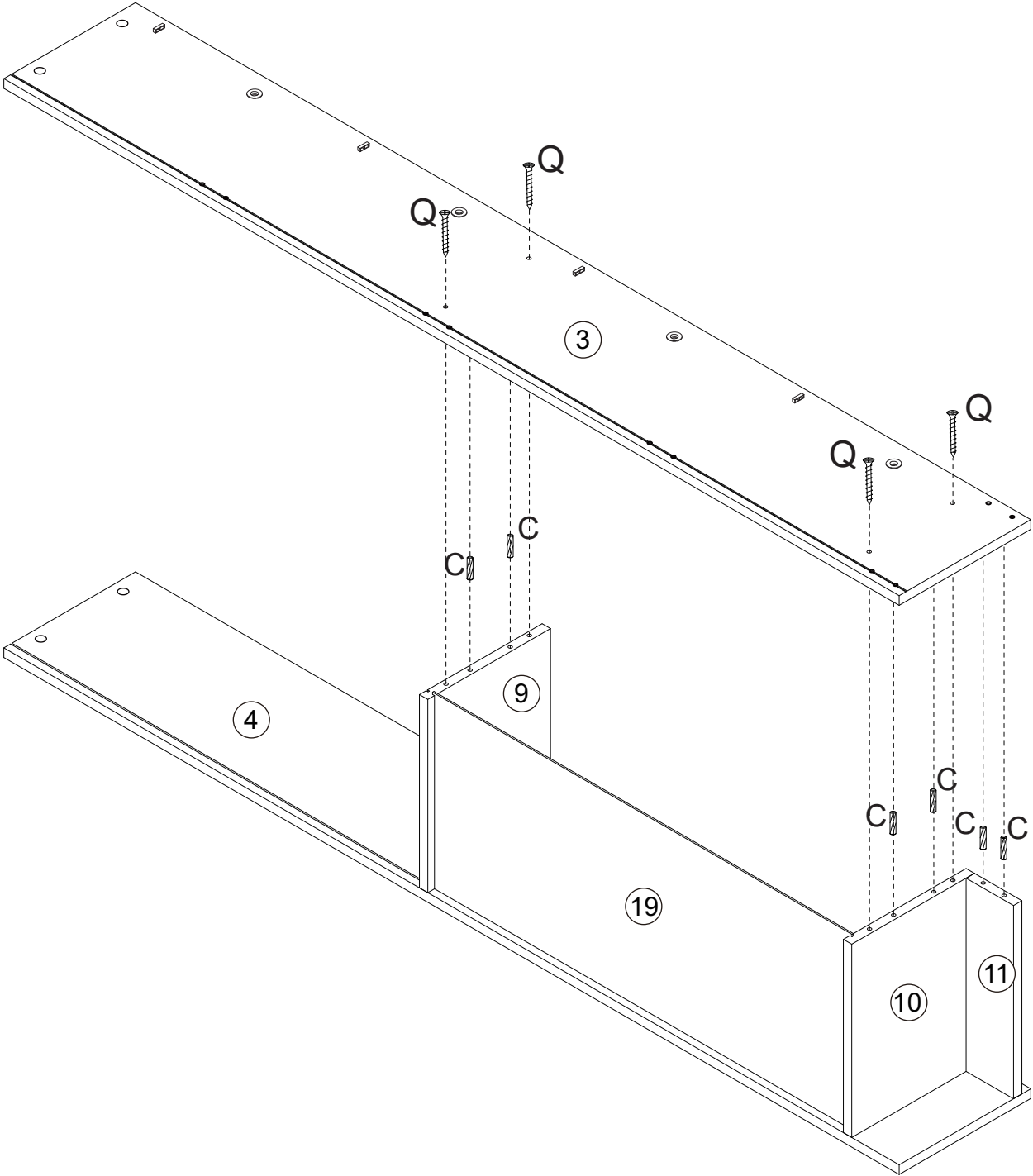
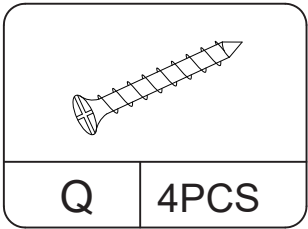
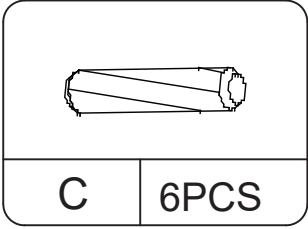
# Step 2



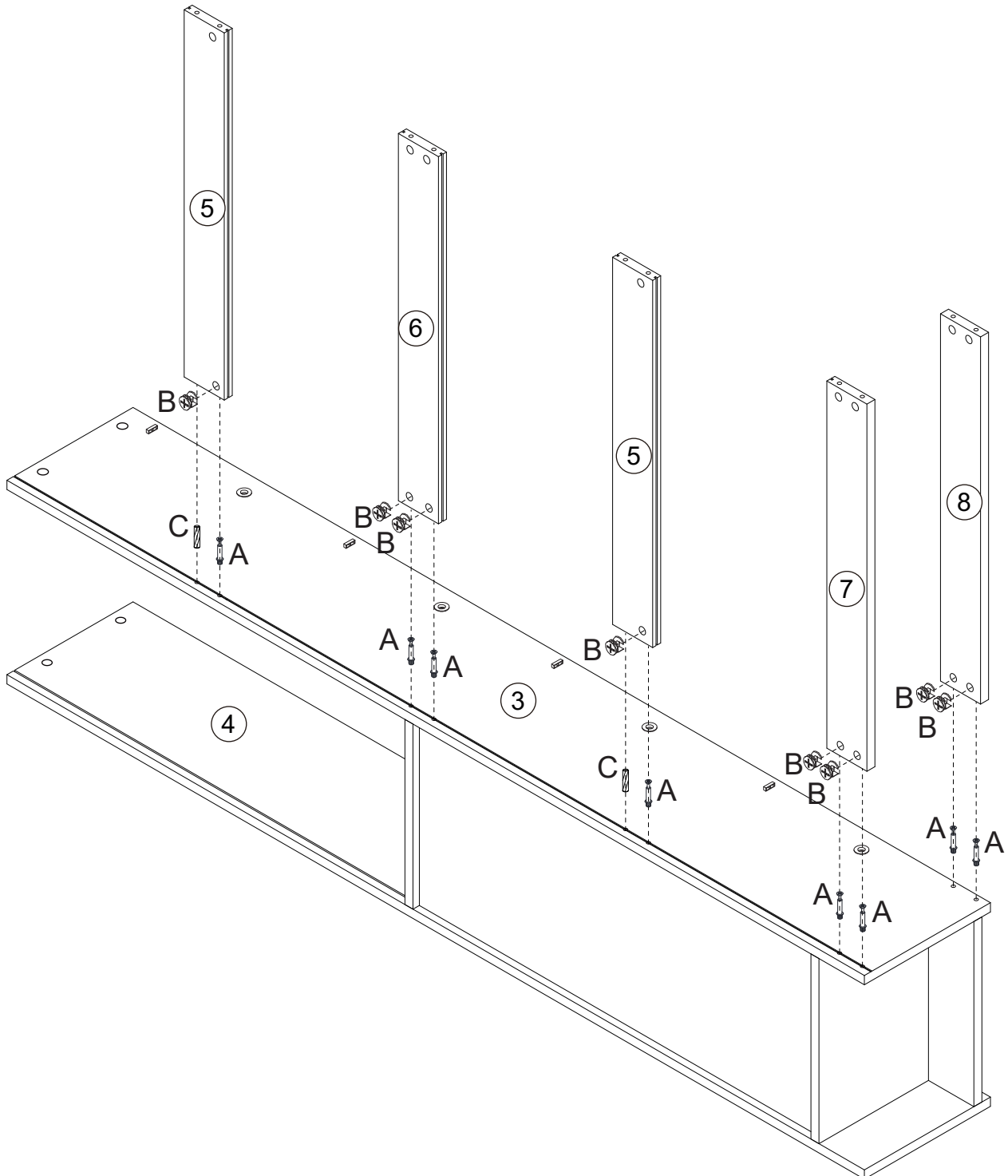
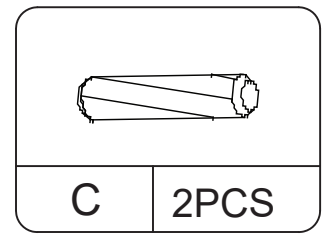
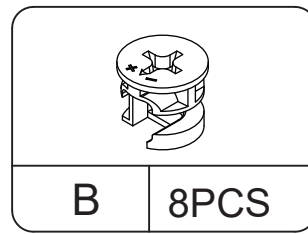
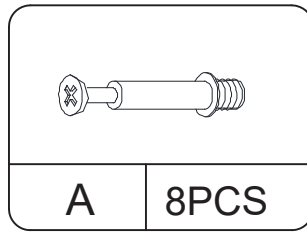
# Step 3



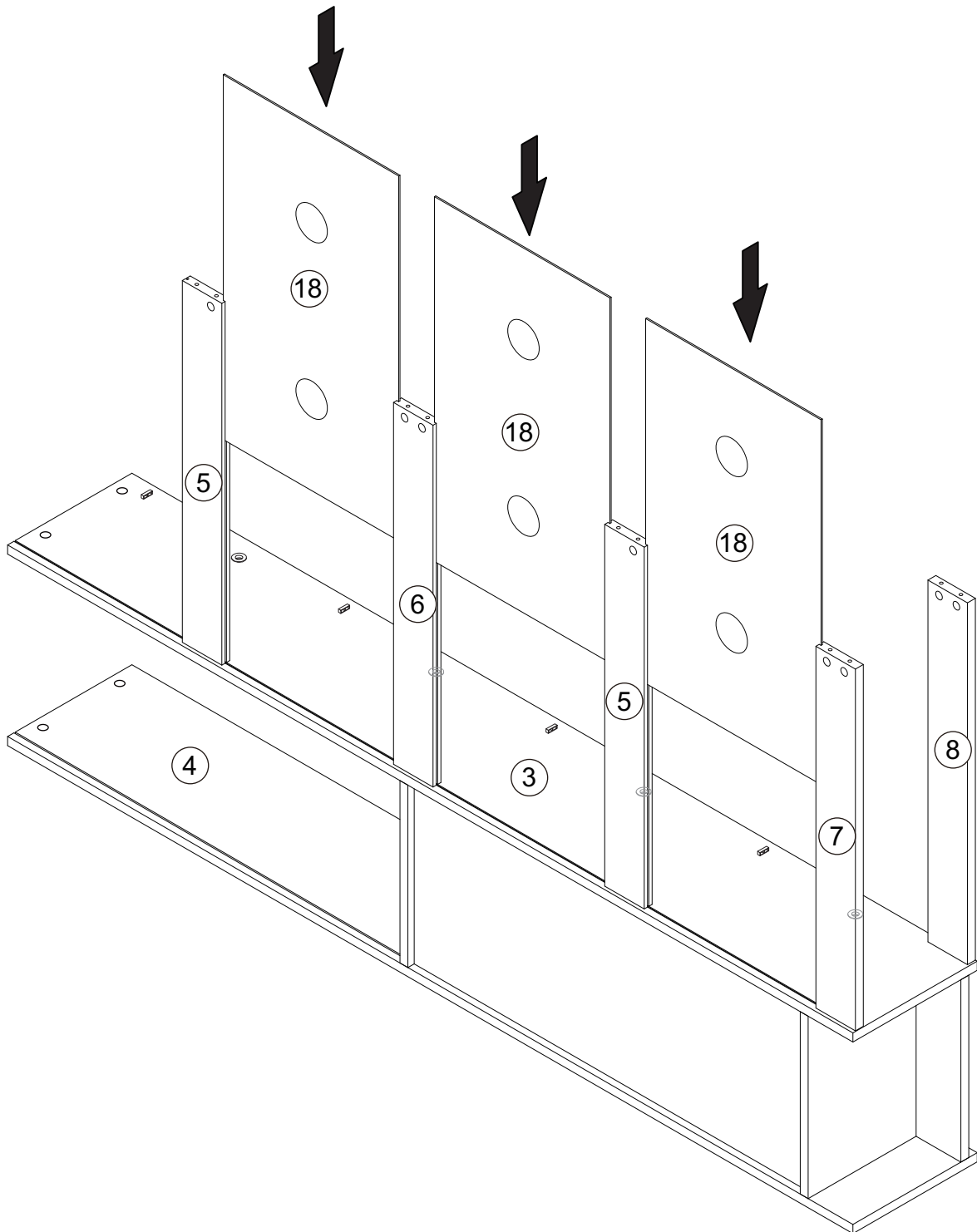
# Step 4



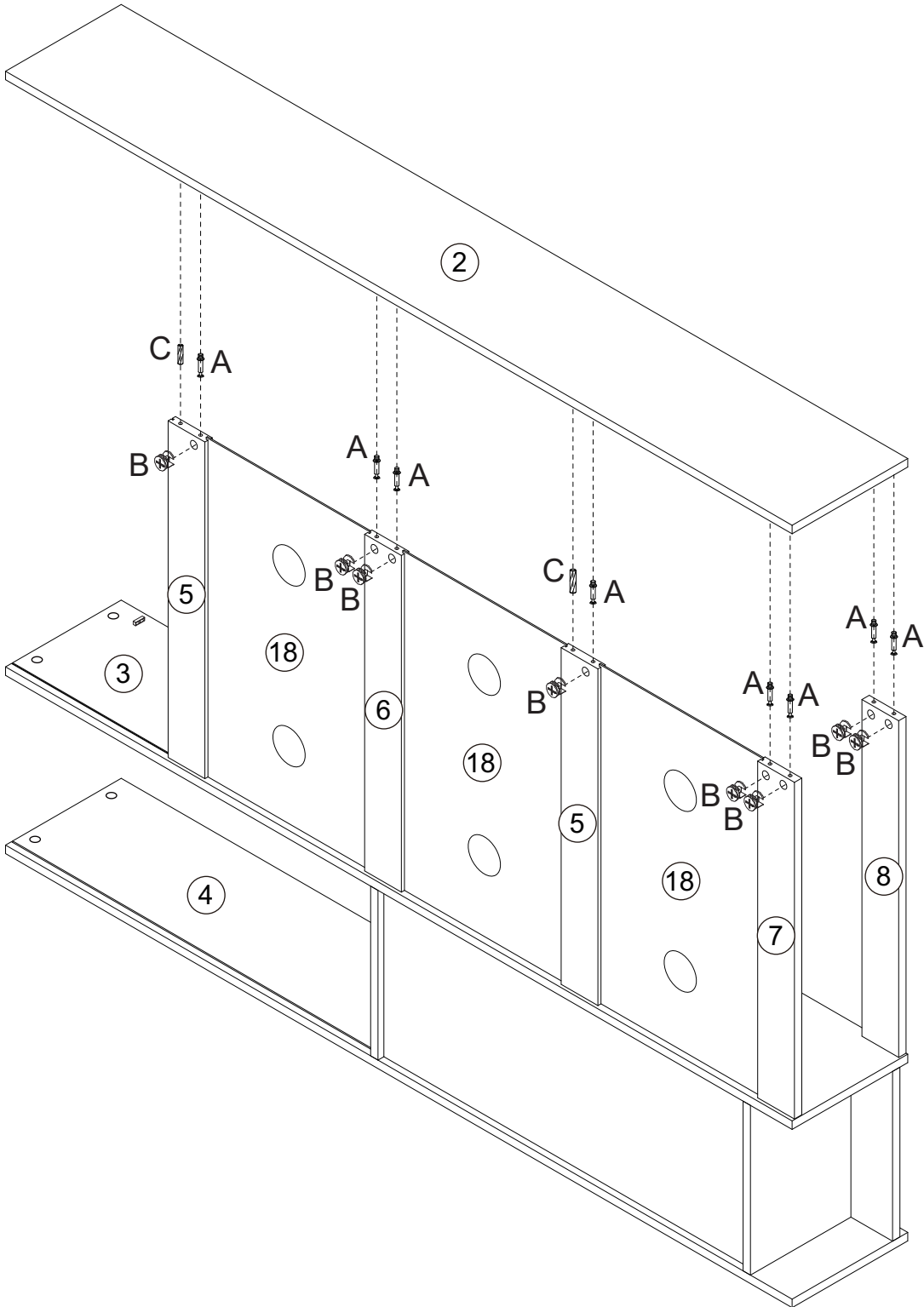
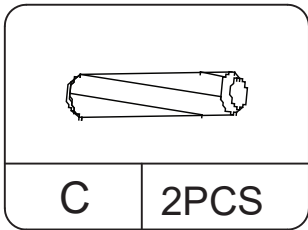
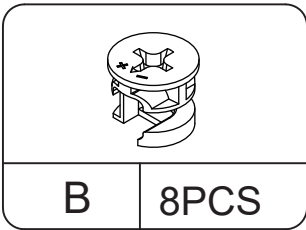
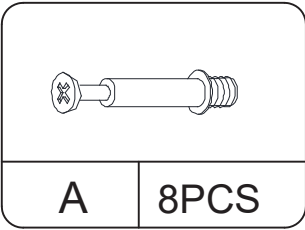
# Step 5



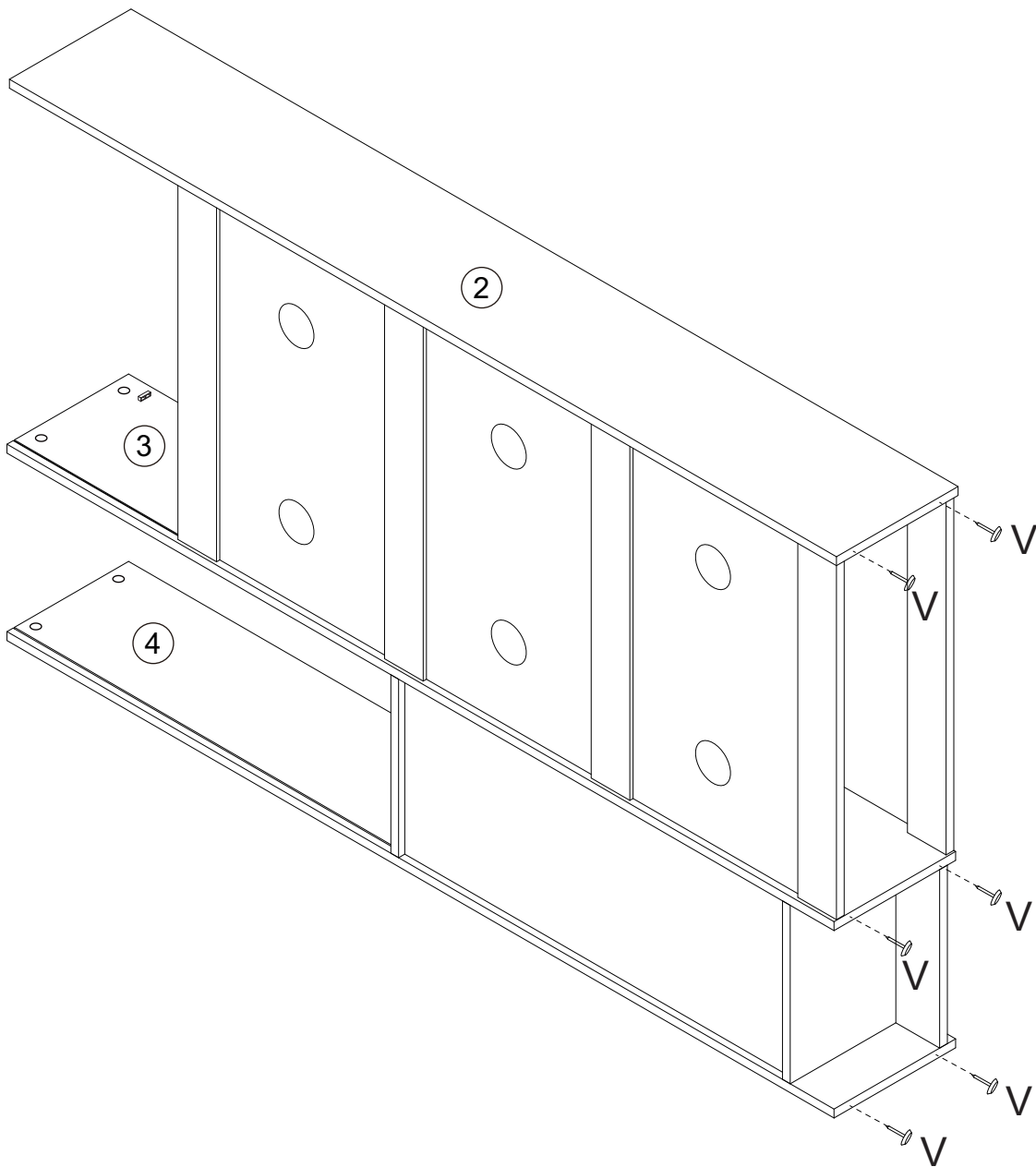
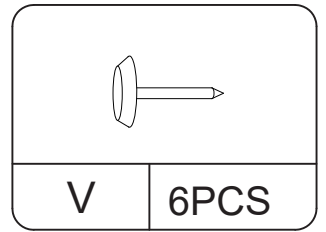
# Step 6



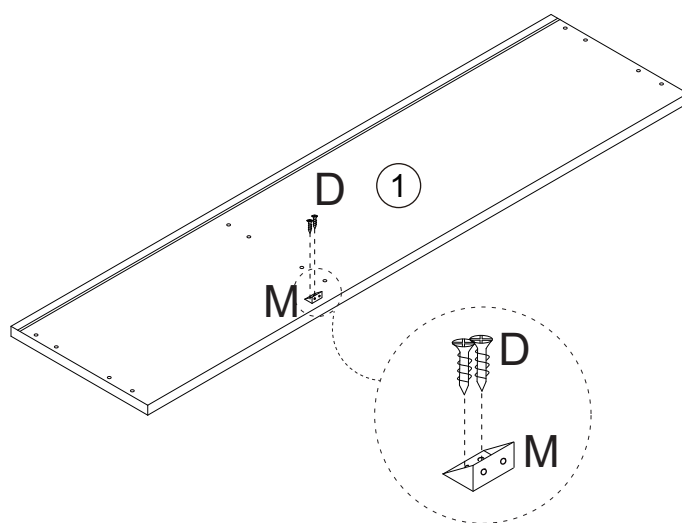
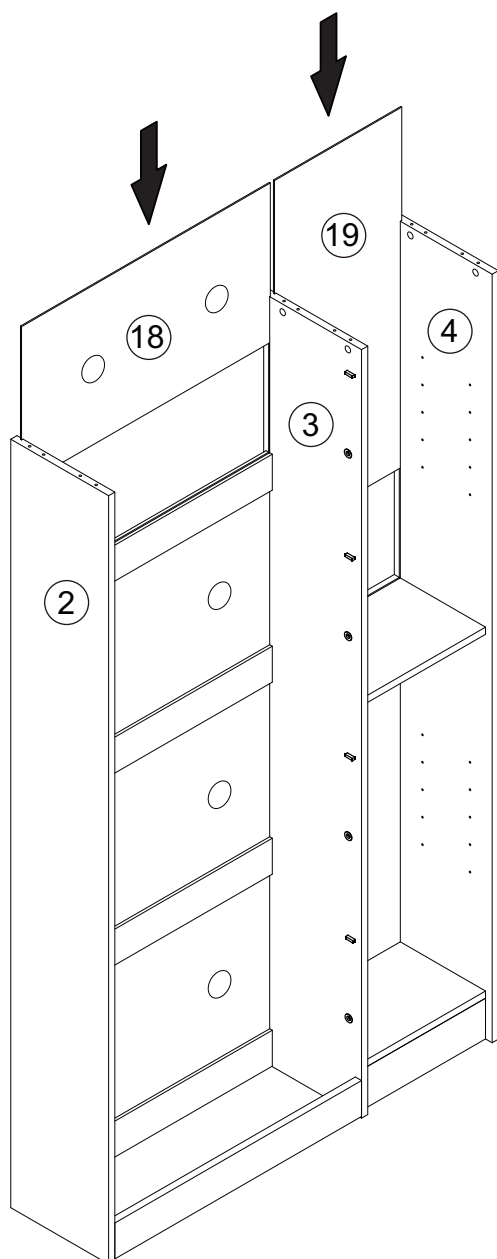
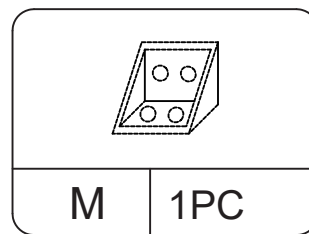
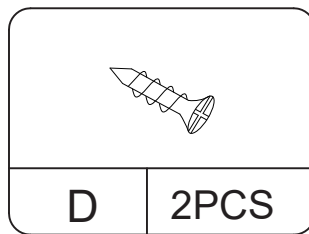
# Step 7



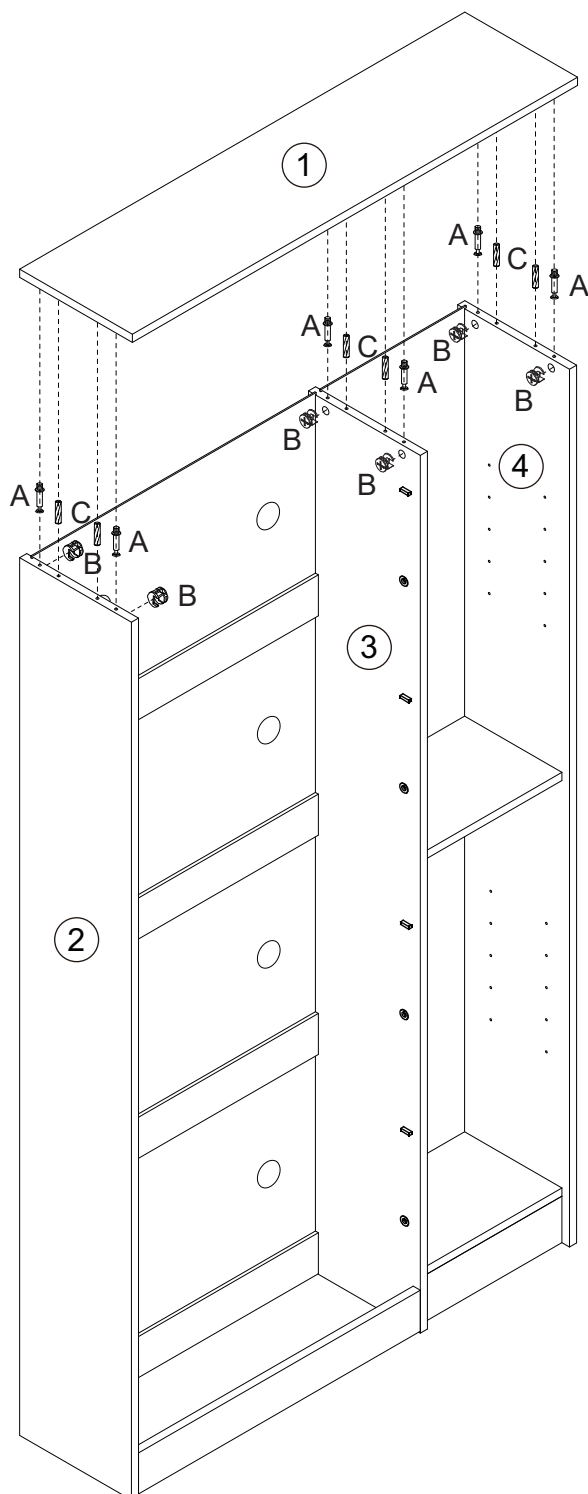
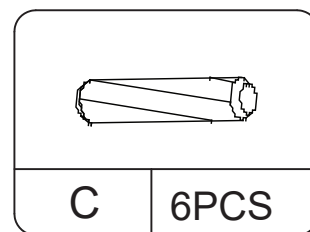
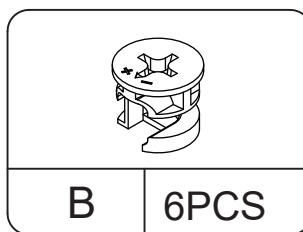
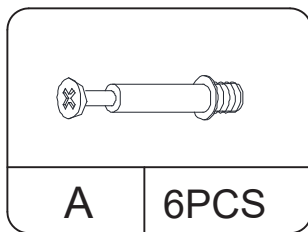
# Step 8



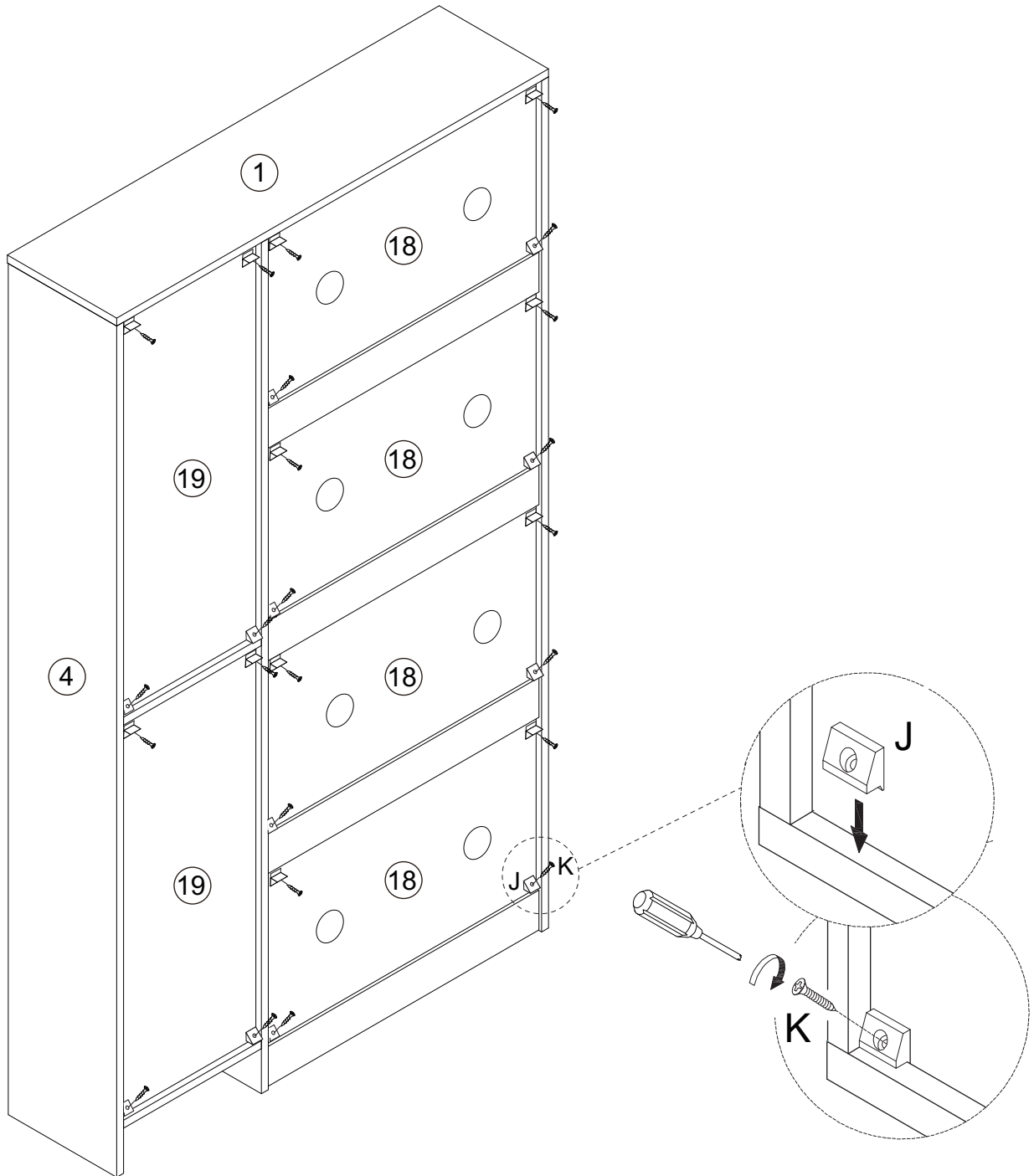
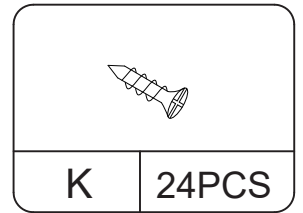
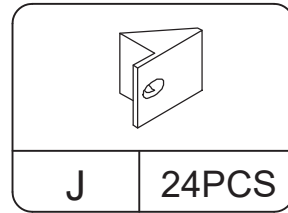
# Step 9



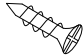
# Step 10

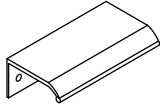


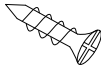
# Step 11

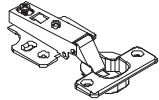


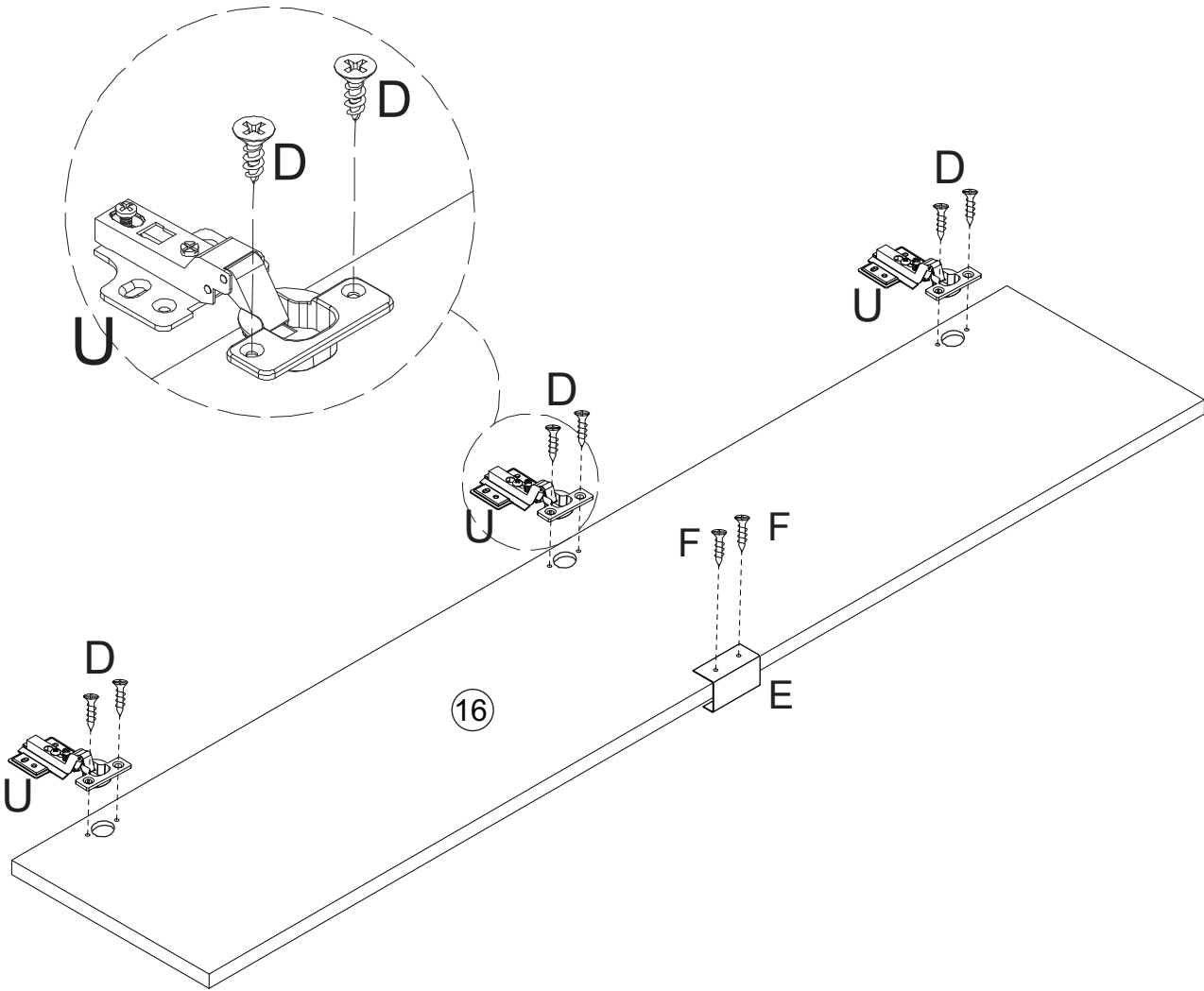
# Step 12

	
D	6PCS

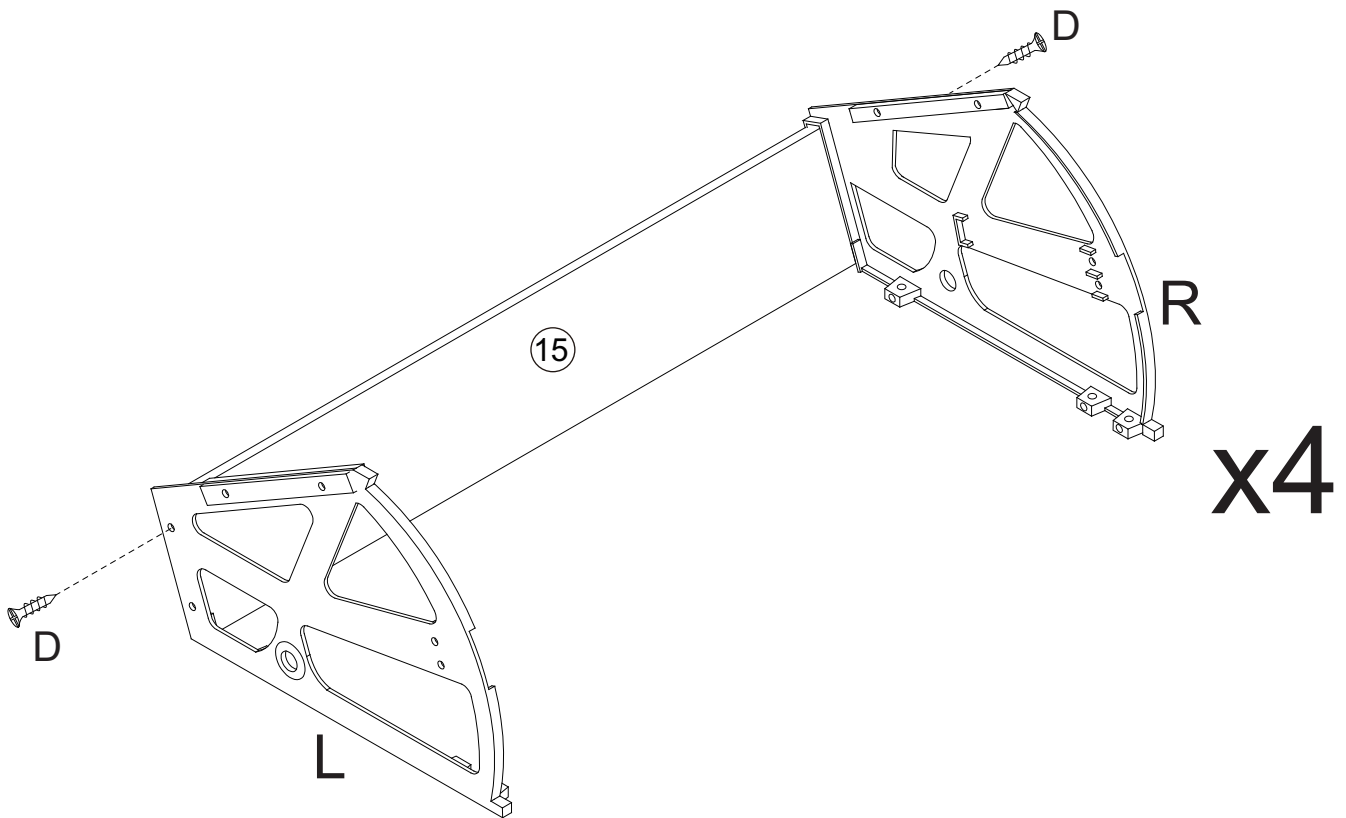
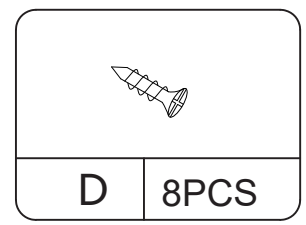
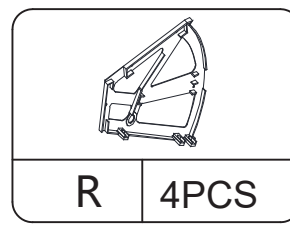
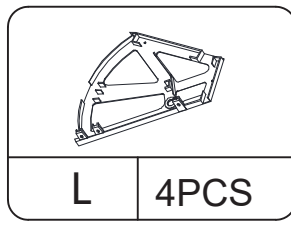
	
E	1PC

	
F	2PCS

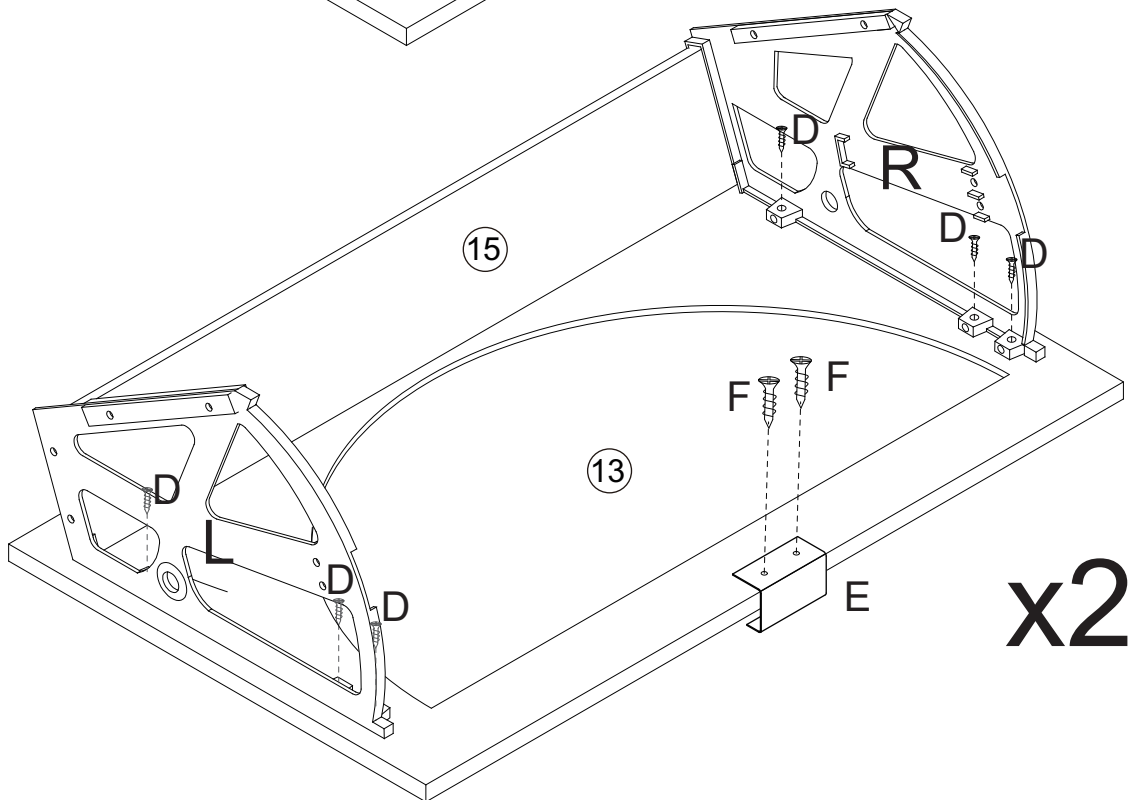
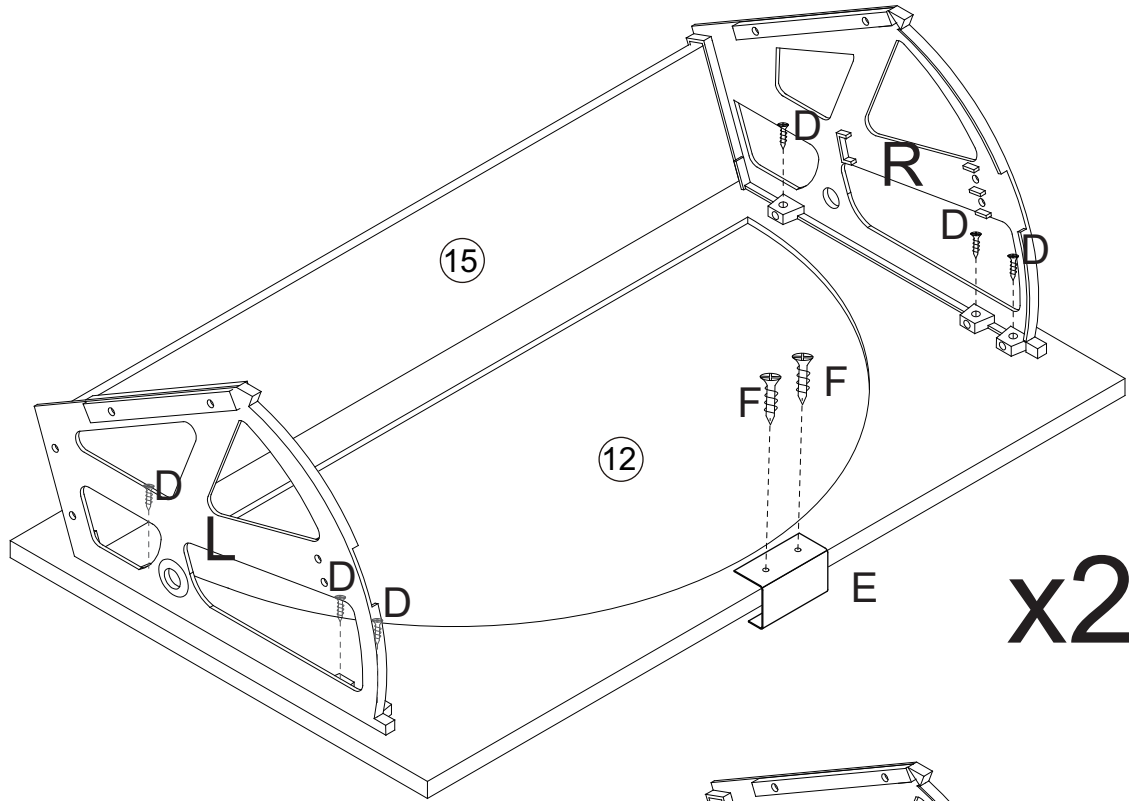
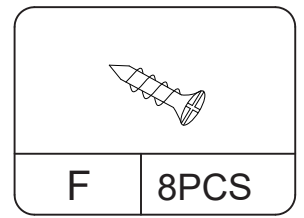
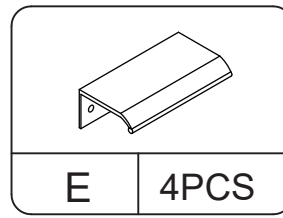
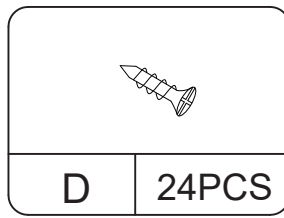
	
U	3PCS



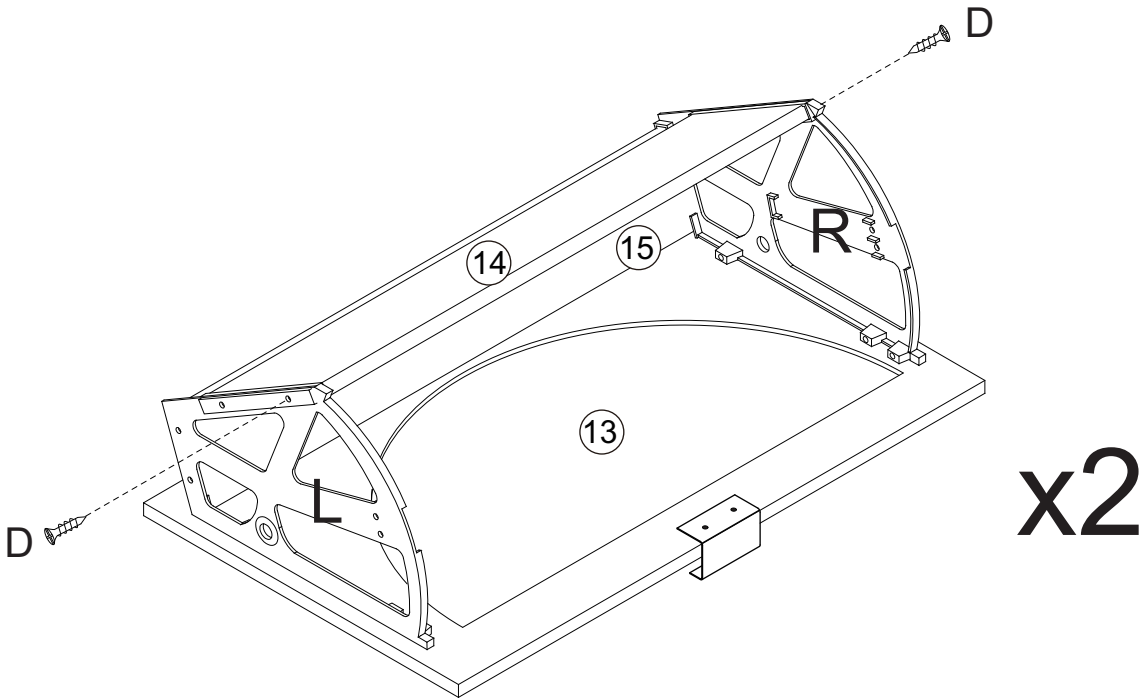
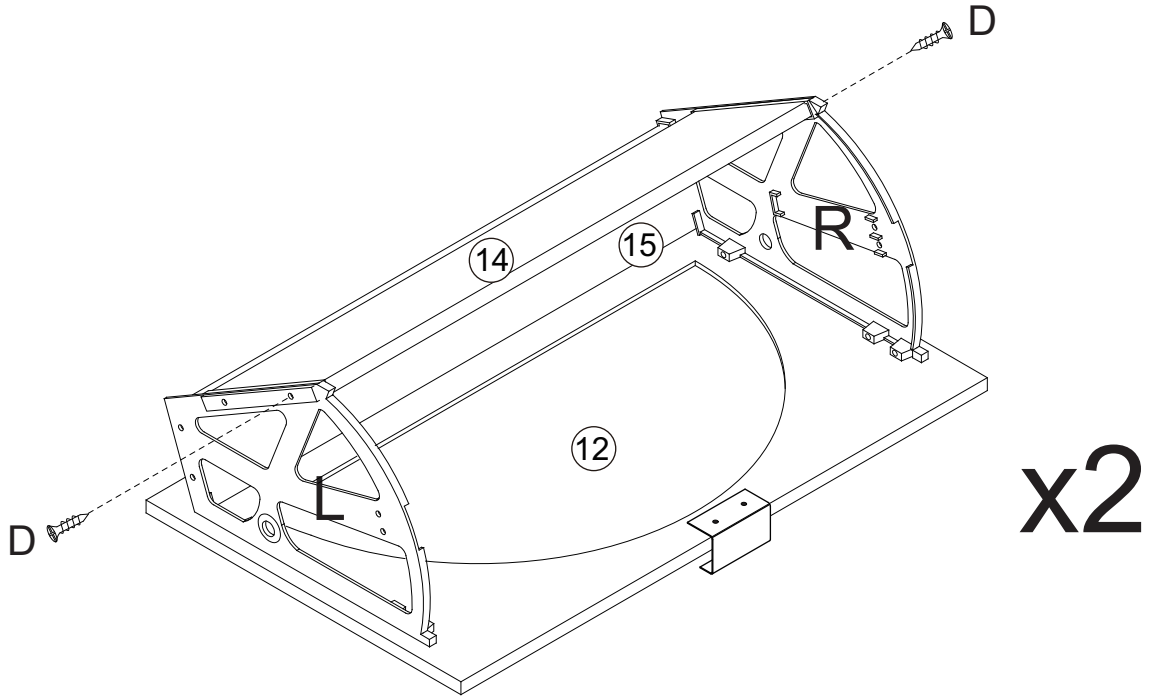
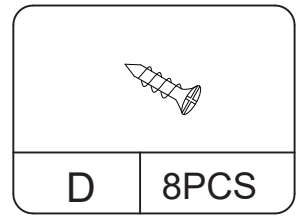
# Step 13



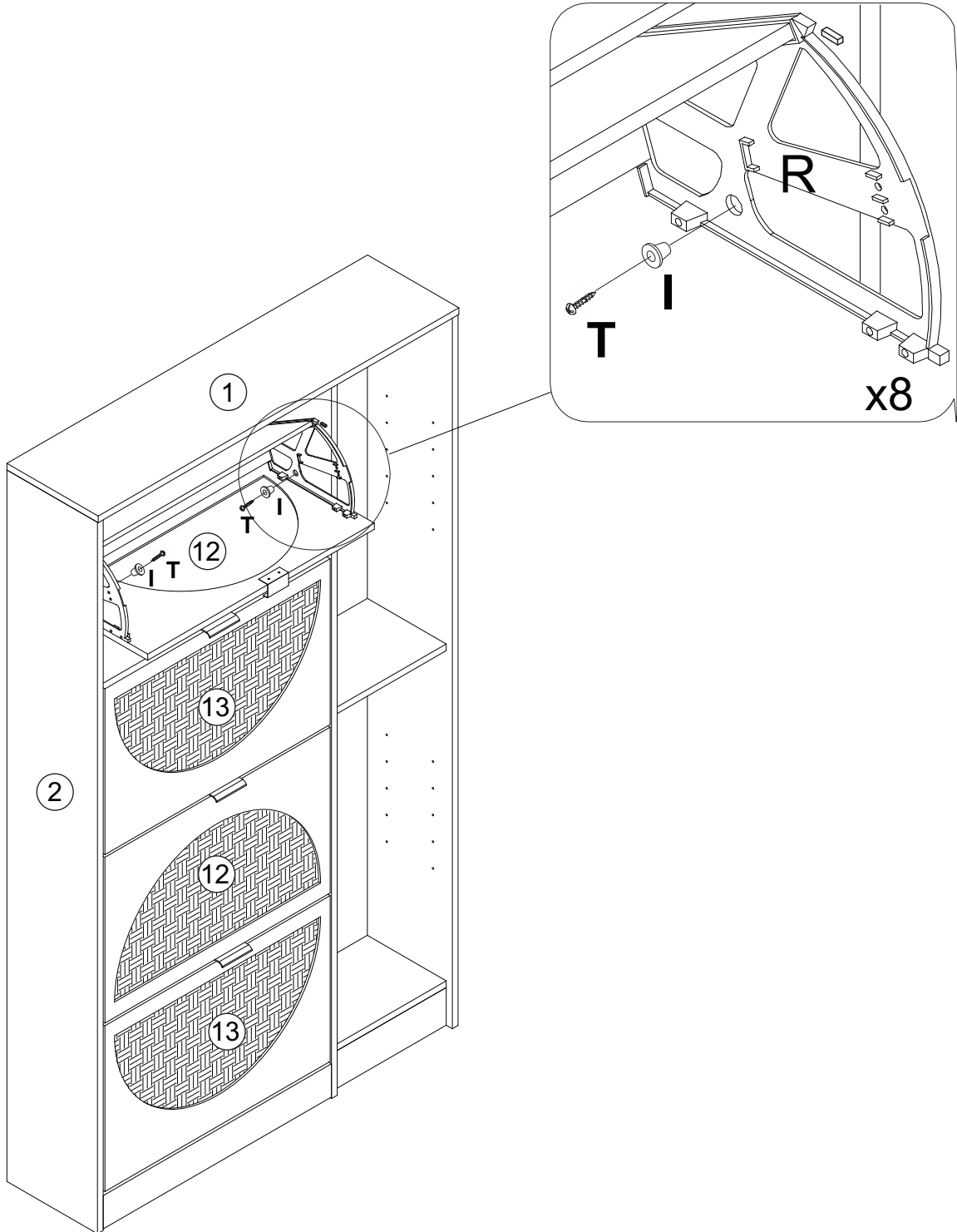
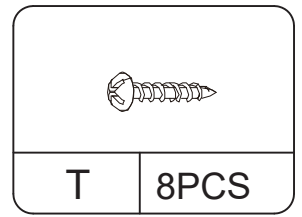
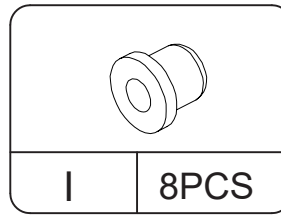
# Step 14



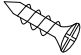
# Step 15

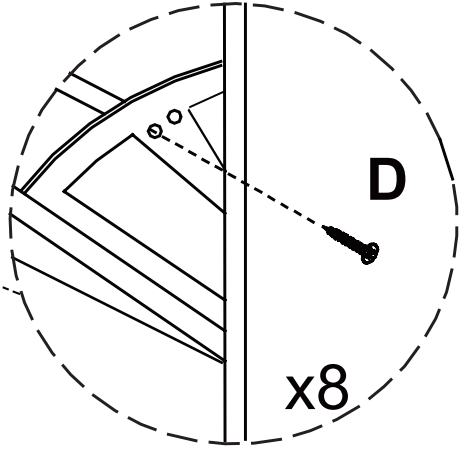
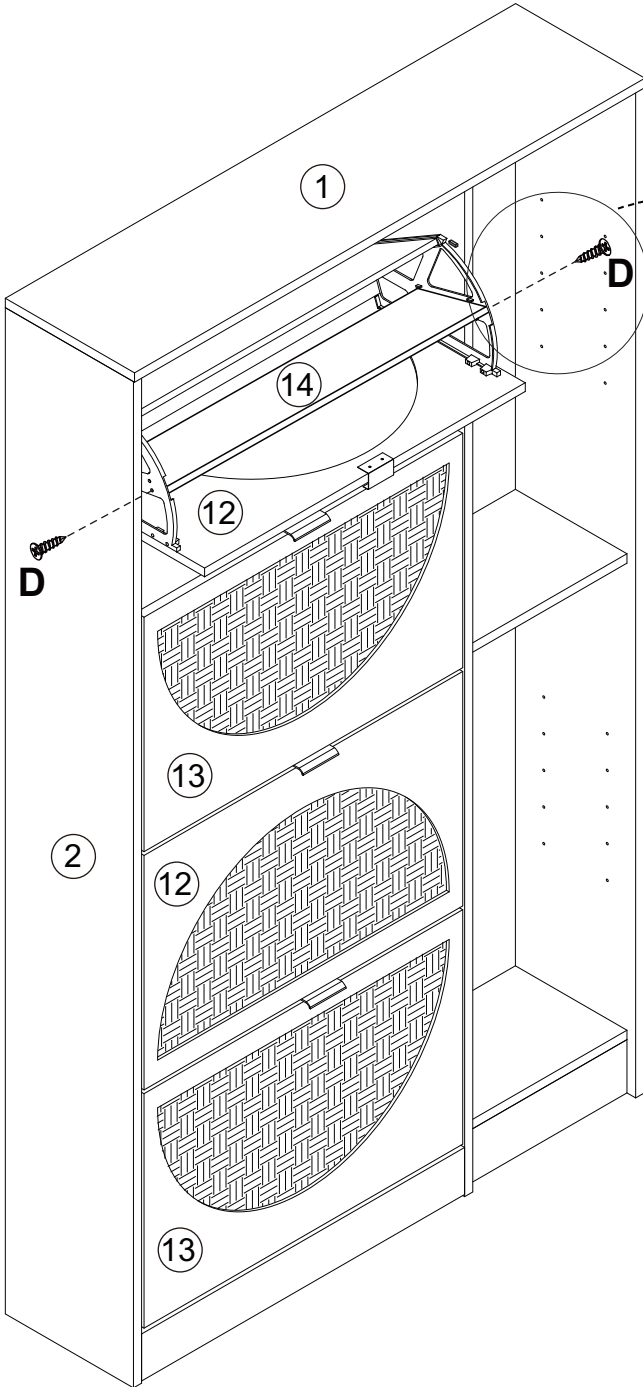


# Step 16



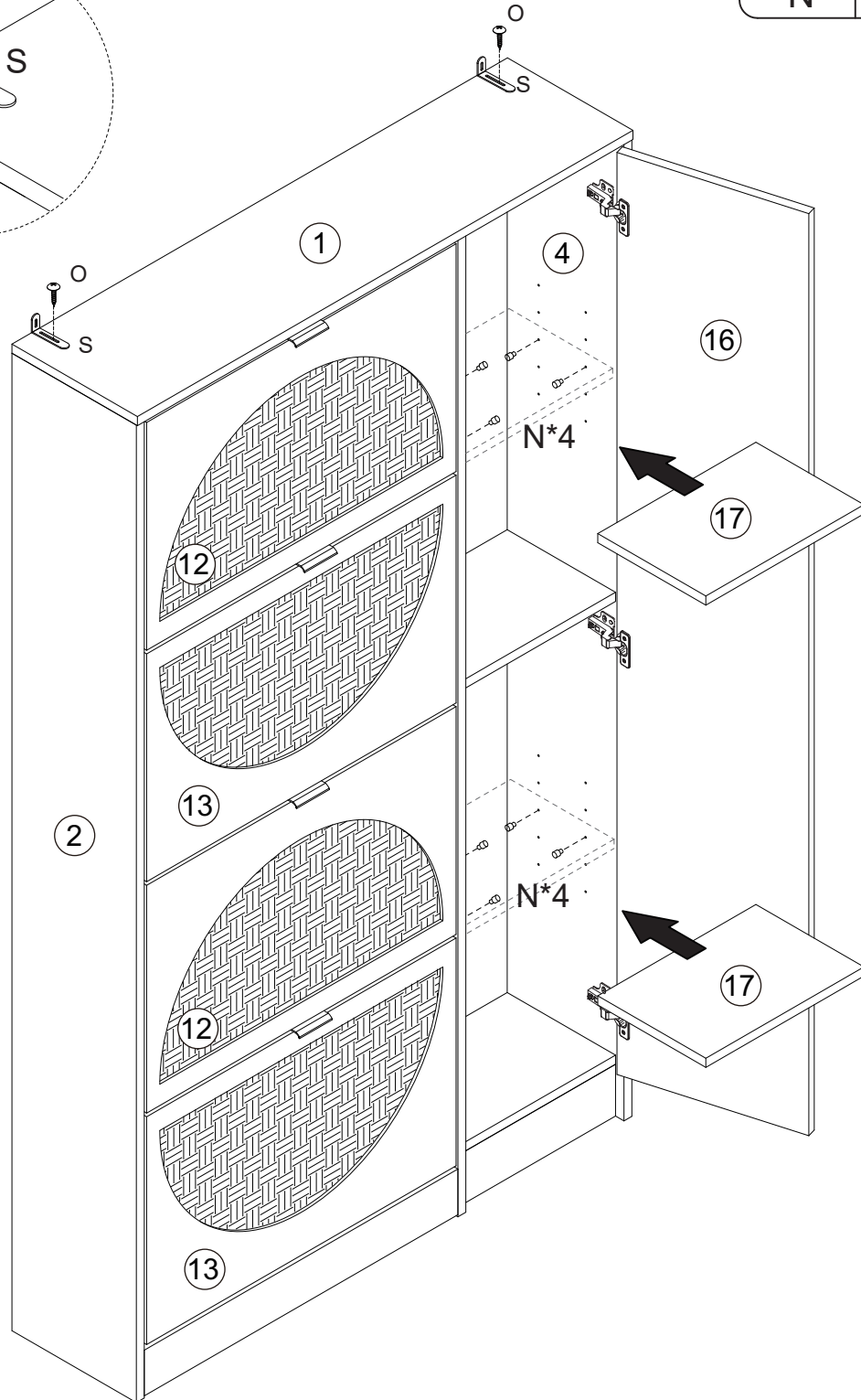
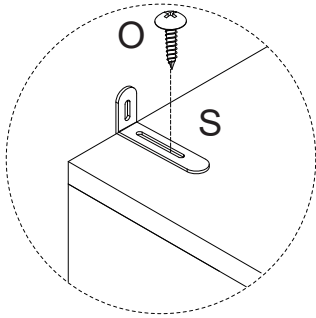
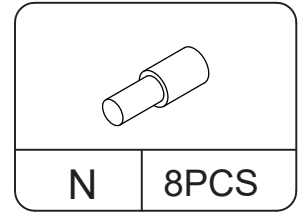
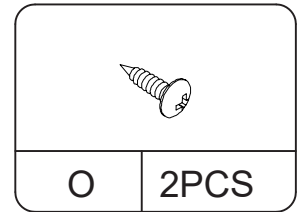
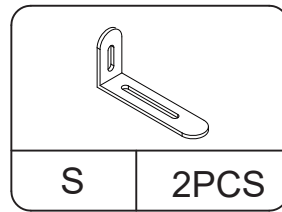
# Step 17

	
D	8PCS

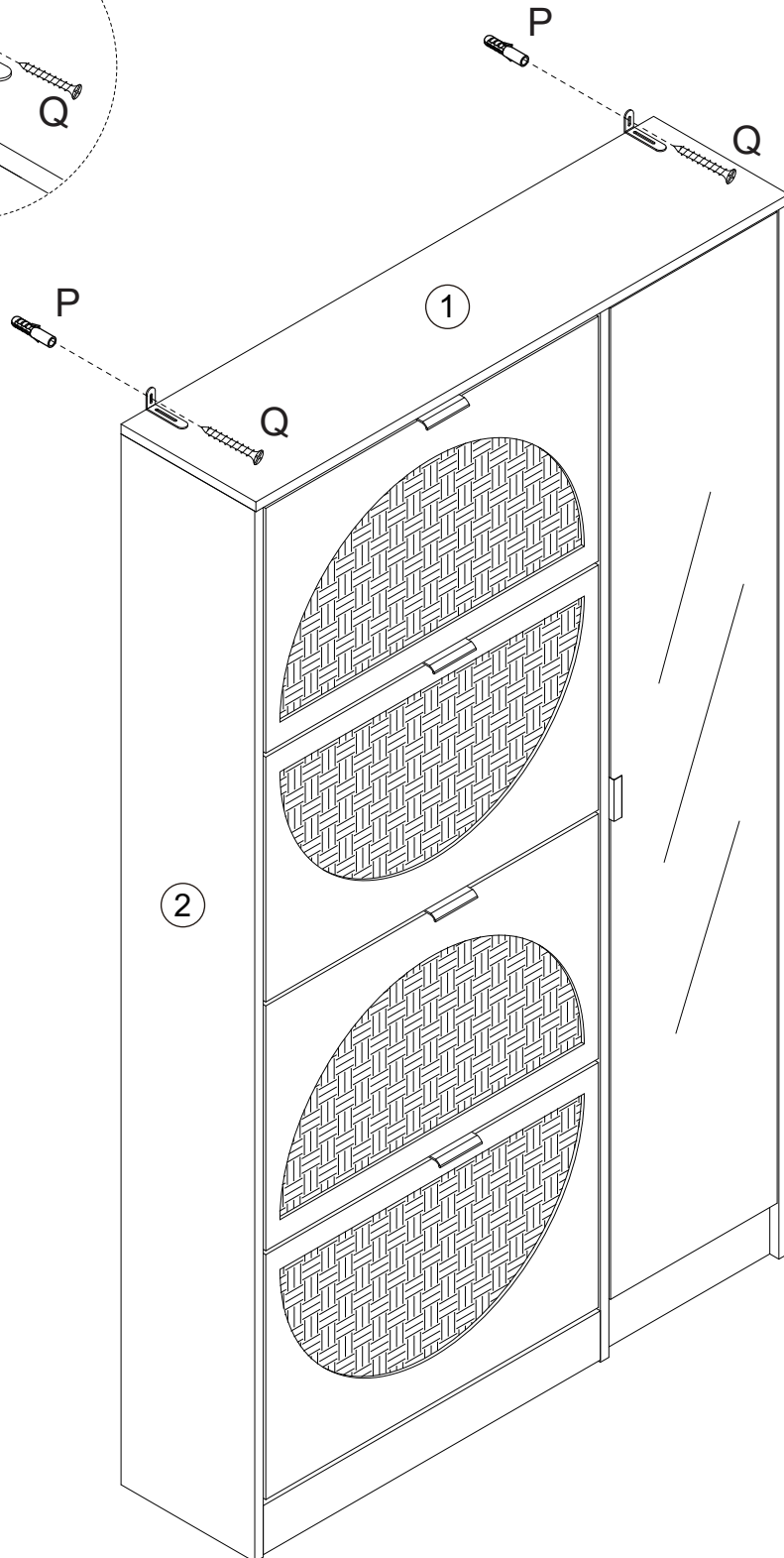
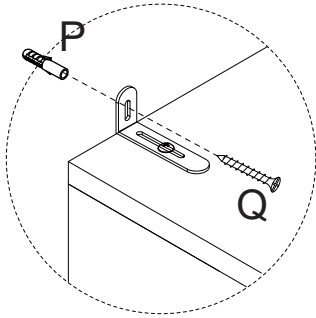
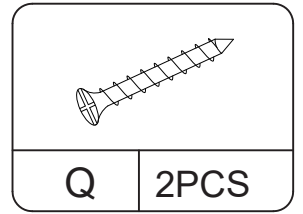
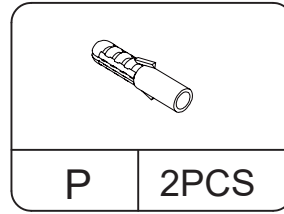




# Step 19



# Step 20



# Proper Use

- DO NOT** use for commercial purposes
- DO NOT** use as a step stool or stand on table
- DO NOT** put hot serving liquid directly on the table top
- DO NOT** leave spilled liquid on the table top
- DO NOT** use table if damaged
- DO NOT** exceed weight limit
- DO NOT** make temporary repairs
- DO NOT** use outdoor