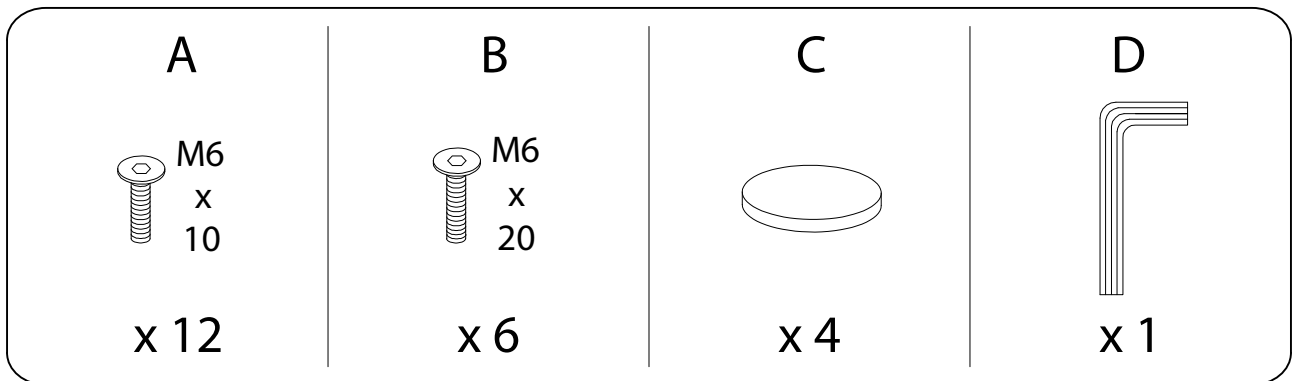
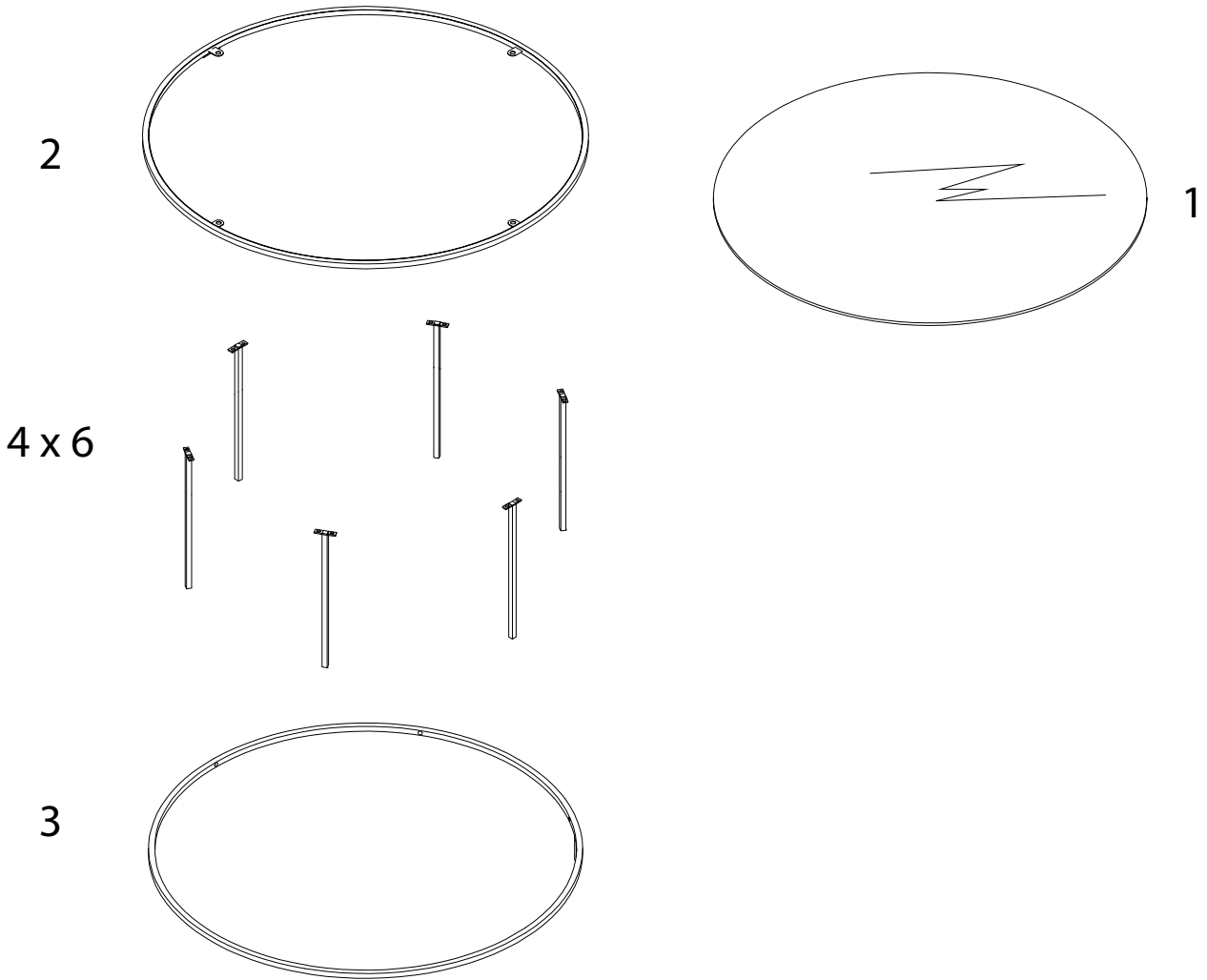
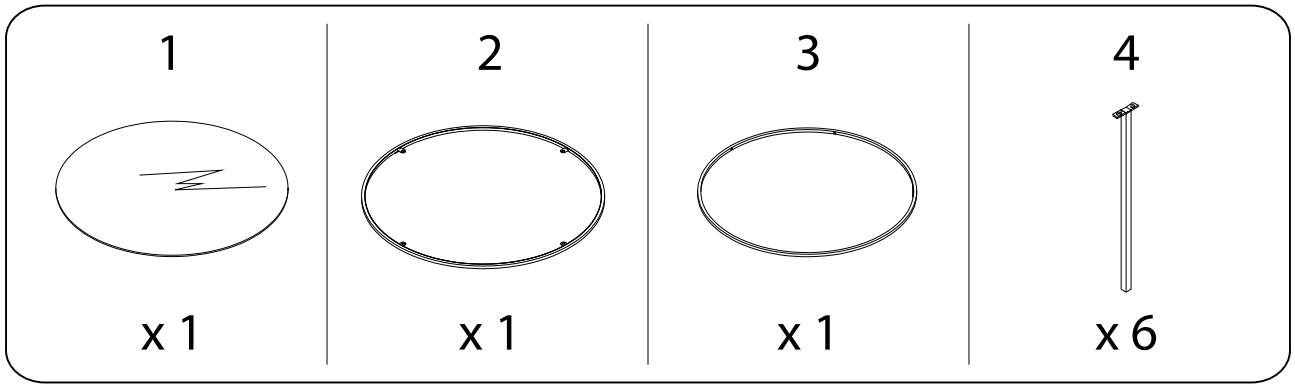
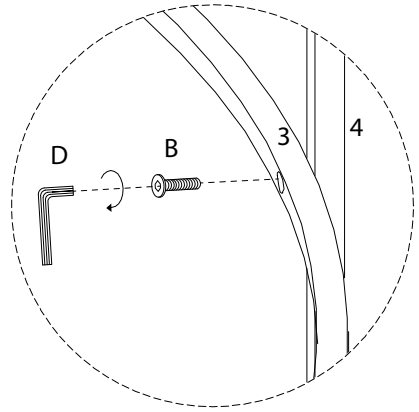
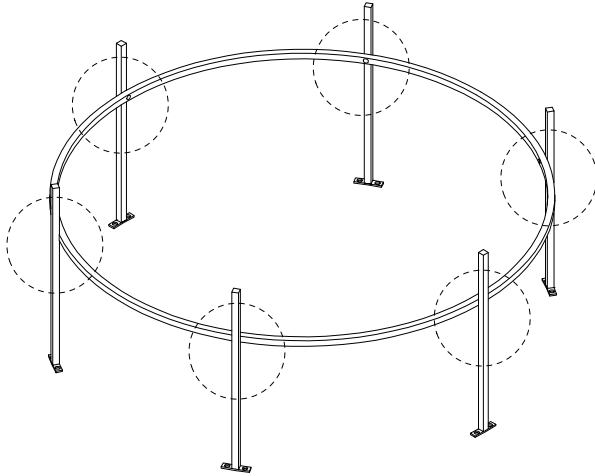
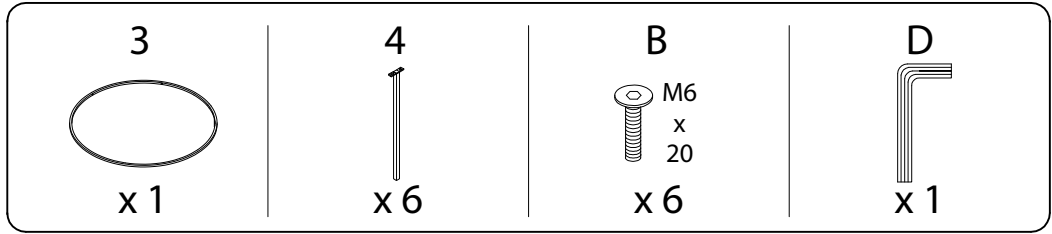


Diagram illustrating assembly instructions and safety warnings:

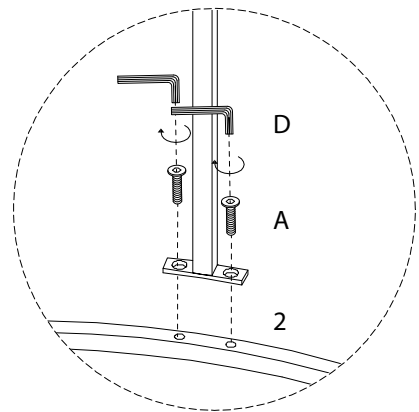
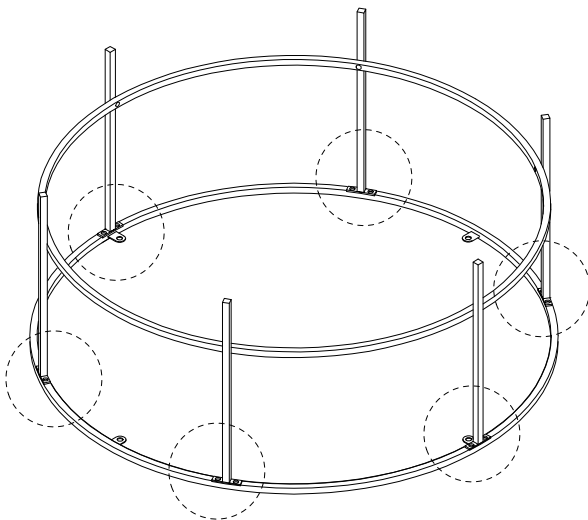
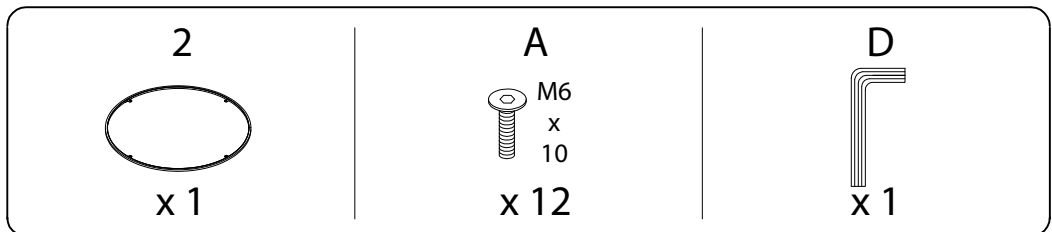
- Warning 1:** A warning triangle with an exclamation mark is shown next to a box containing an L-shaped metal bracket and a power drill with a slash through it, indicating that a power drill should not be used for this step.
- Warning 2:** A second warning triangle with an exclamation mark is shown next to a box containing a rectangular block being placed on a textured surface and a diagram of a block with a slash through it, indicating a specific placement or handling instruction.
- Time:** A clock icon is shown with the text "30'" below it, indicating a 30-minute assembly time.
- Person:** An icon of a person is shown with the number "1" below it, indicating that one person is required for assembly.



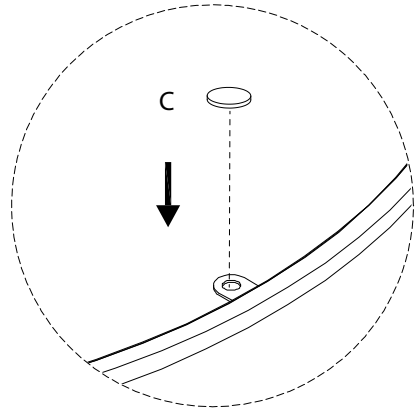
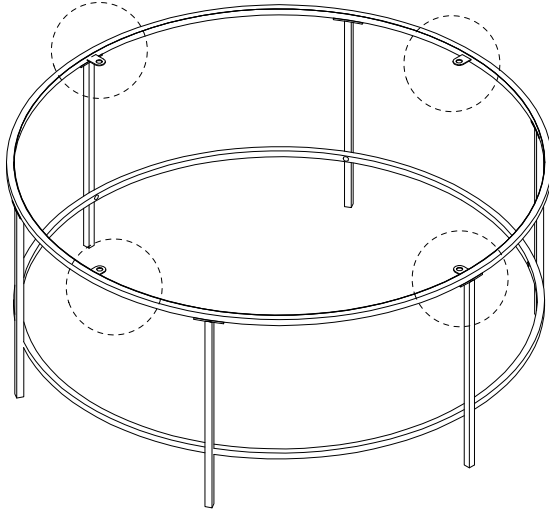
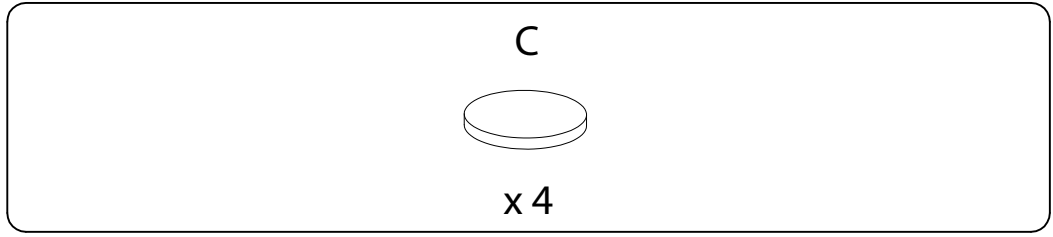
1



2



3



4

