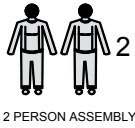




140 MIN  
APPROXIMATE  
ASSEMBLY TIME



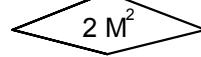
2 PERSON ASSEMBLY

Number of  
packages



REQUIRED  
ASSEMBLY SPACE

FLOOR AREA 1M x 2M

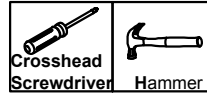


2 M<sup>2</sup>

## Maintenance skills

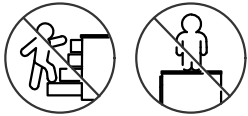
1. Use a clean and soft cloth to remove dust regularly; do not use solvents;
2. If you are in a humid environment for a long time, you must ventilate and exhaust moisture to avoid the furniture from being immersed in water;
3. Keep away from high temperature sources such as stoves, radiators, etc. to prevent the furniture from deforming.

Tools needed:

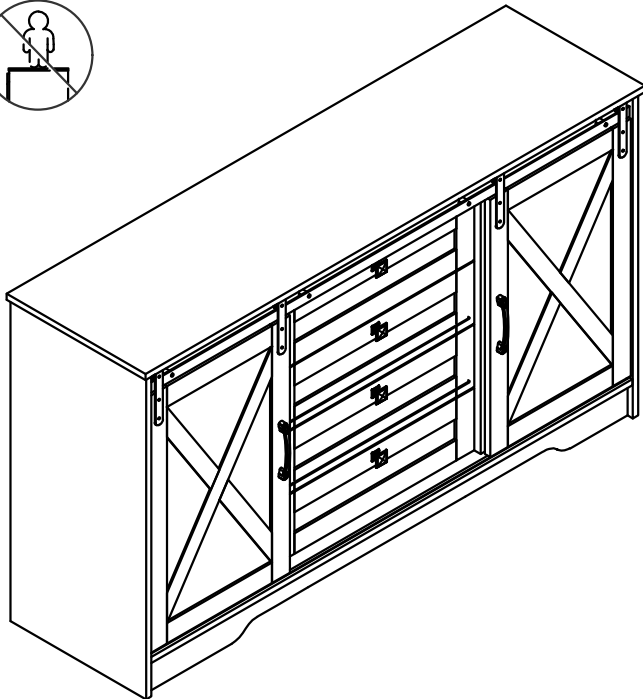


Crosshead Screwdriver Hammer

## Assembly Manual



Climbing  
Prohibit



Please read this manual carefully before any operation and keep it properly for future use.

## WARNING

Keep all parts out of the children's reach.

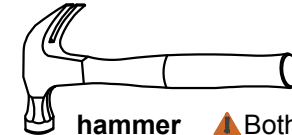
IMPORTANT: Tipping can injure young children.

## NOTE

- You need to have a crosshead screwdriver and hammer beforehand.



crosshead screwdriver

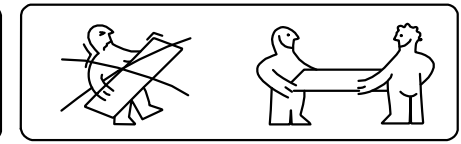
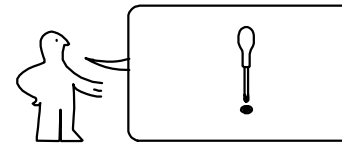


hammer

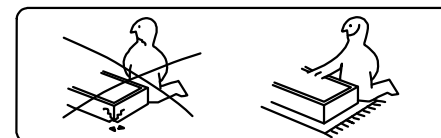
⚠ Both not included in package.

- Place all the panels on a clean and smooth surface, such as a rug or carpet, to prevent them from being scratched.
- Make sure that all parts in your product package, including panels and accessories, match up with those listed in the **Panels & Accessories list**.
- Don't tighten screws or bolts until all the pieces are fitted.
- It is recommended to have 2 persons to complete the assembly.

## NOTE

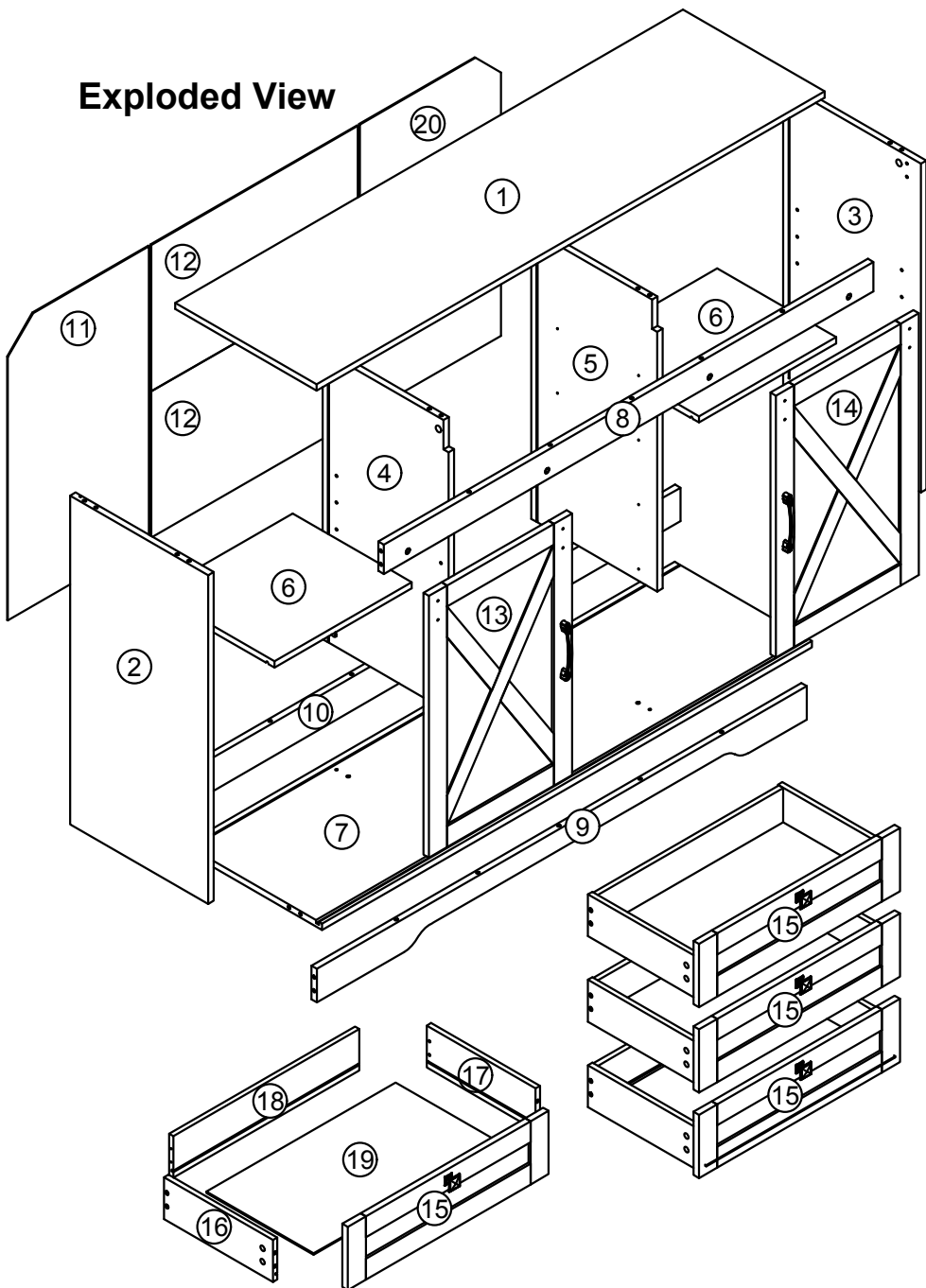


① Safe carriage, multi-people are needed.



② Handle with care, protective layer is required.

Exploded View



Panel List





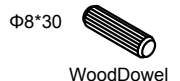

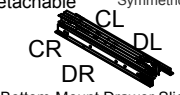

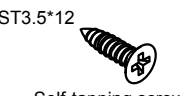



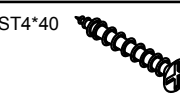
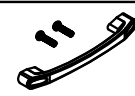
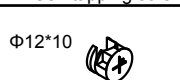
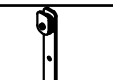



Please check the Panel list before installation.

Item no.	Reference Image	Qty.
①		1X
②		1X
③		1X
④		1X
⑤		1X
⑥		2X
⑦		1X
⑧		1X
⑨		1X
⑩		1X

Item no.	Reference Image	Qty.
⑪		1X
⑫		2X
⑬		1X
⑭		1X
⑮		4X
⑯		4X
⑰		4X
⑱		4X
⑲		4X
⑳		1X

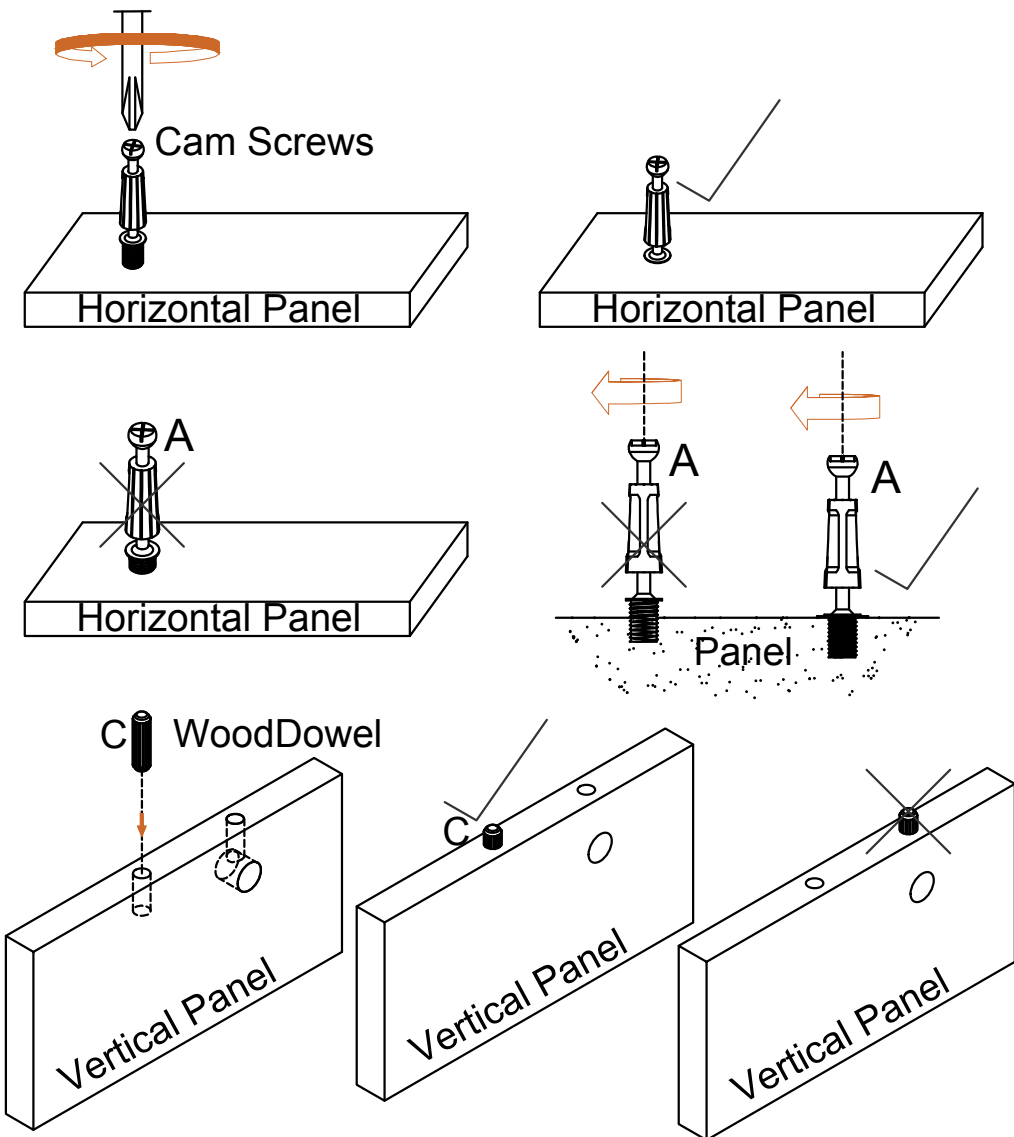
### Accessories List

Please check the Accessories list before installation.

Item no.	Reference Image	Qty.	Item no.	Reference Image	Qty.
A	 Cam Screws	49X	K	 Screws	4X
B	 Cam Lock Nuts	33X	L	 Rail	1X
C	 WoodDowel	22X	M	 Hexagon socket wrench	1X
D	 Bottom-Mount Drawer Slide Kit	4X	N	 Active layer pellet	8X
E	 Self-tapping screws	32X	O	 Back plate buckle	22X
F	 Handle	4X	P	 Door axles	4X
G	 Self-tapping screws	20X	Q	 Handle	2X
H	 Cam Lock Nuts	16X	R	 Hook	4X
I	 Anti-inverted parts	2X	S	 Semi-round head screws	8X
J	 Sleeve	4X			

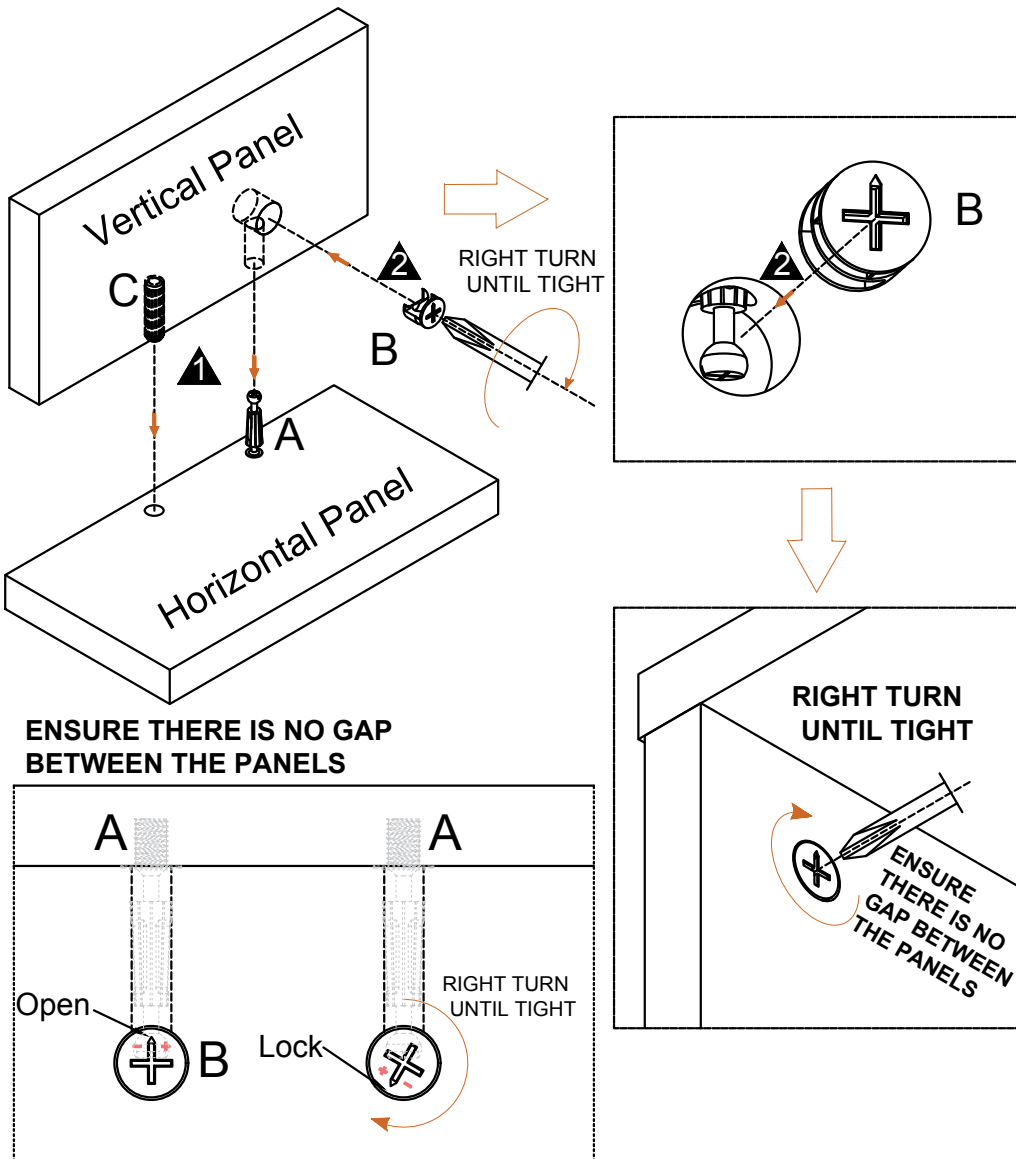
### IMPORTANT PRECAUTIONS

Use Cam Screws , Cam Lock Nuts ,



### IMPORTANT PRECAUTIONS

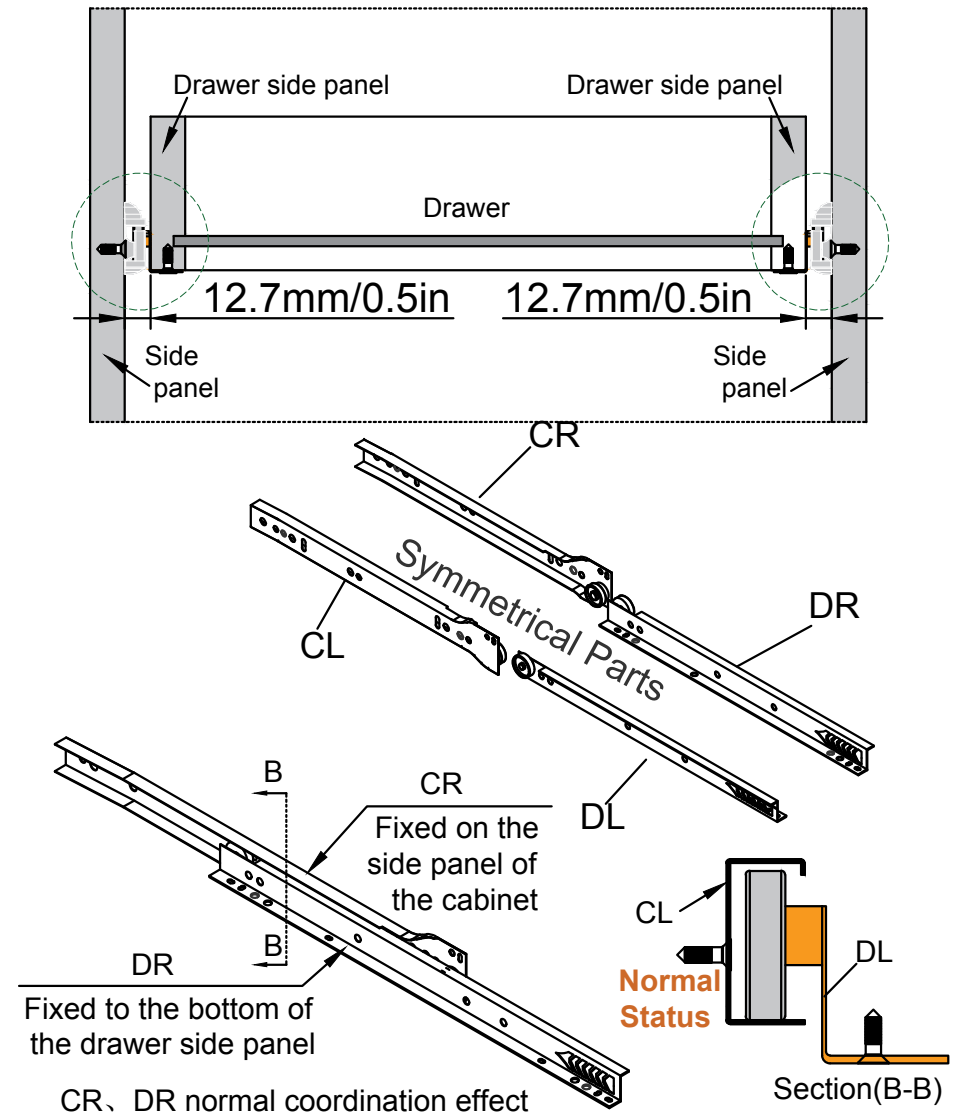
Use Cam Screws, Cam Lock Nuts, Dowel Kit(b)



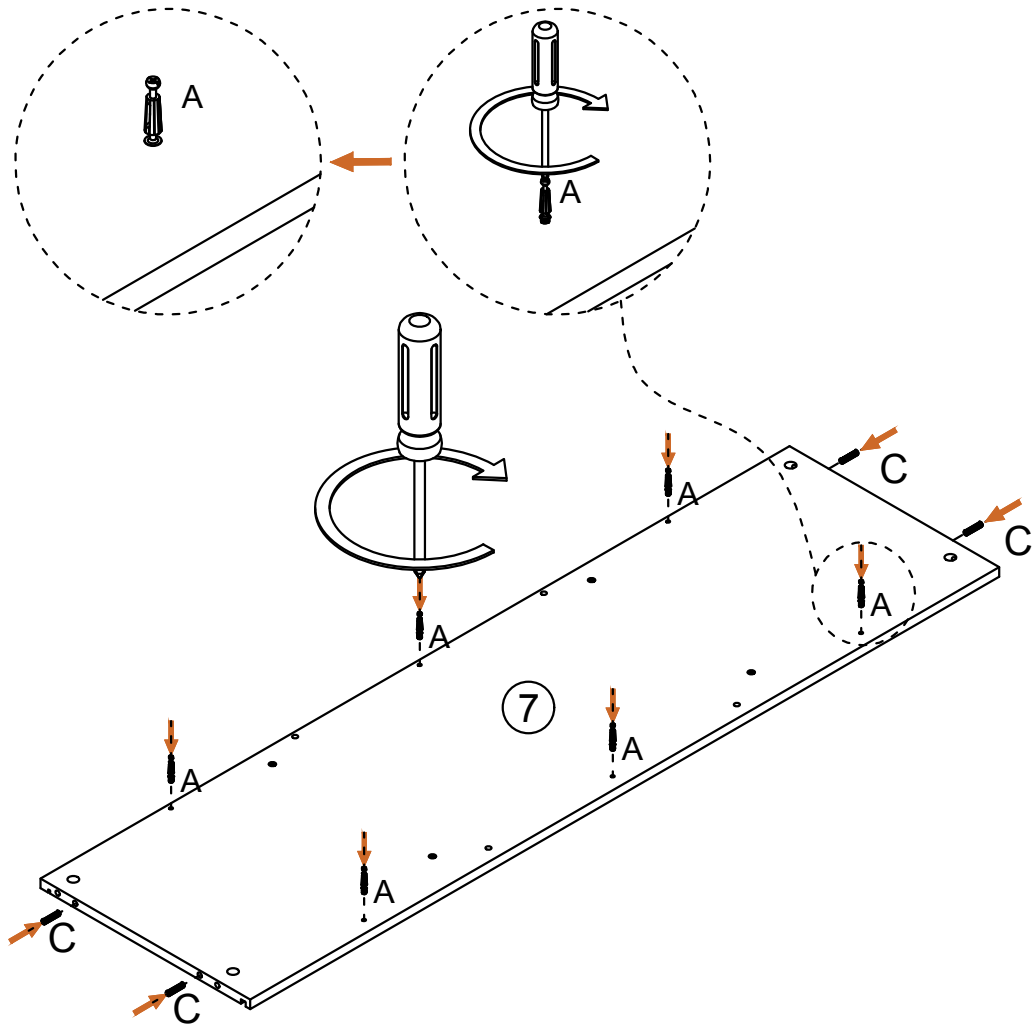
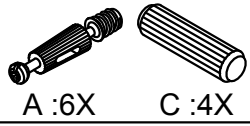
### IMPORTANT PRECAUTIONS

Use Accessory "D"

#### Bottom-Mount Drawer Slide Kit

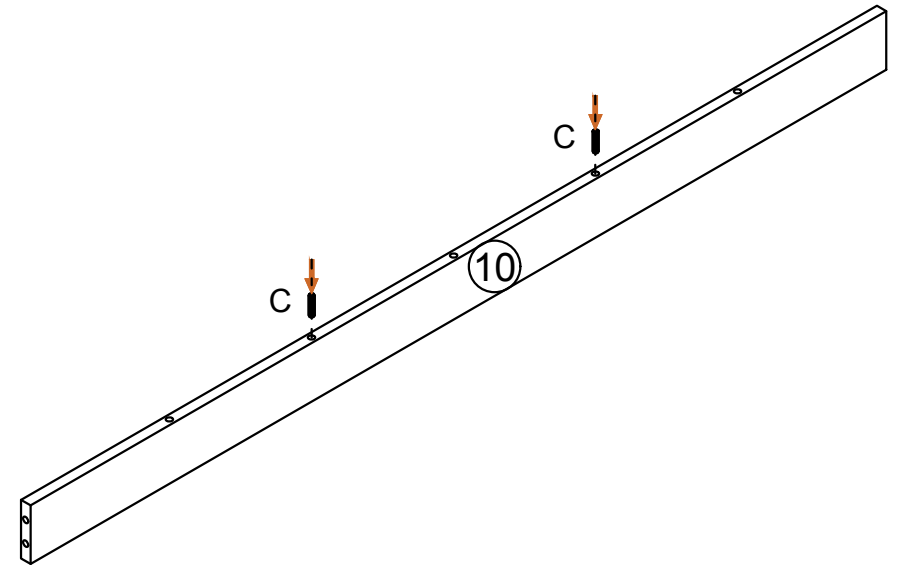
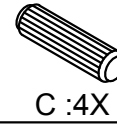


1

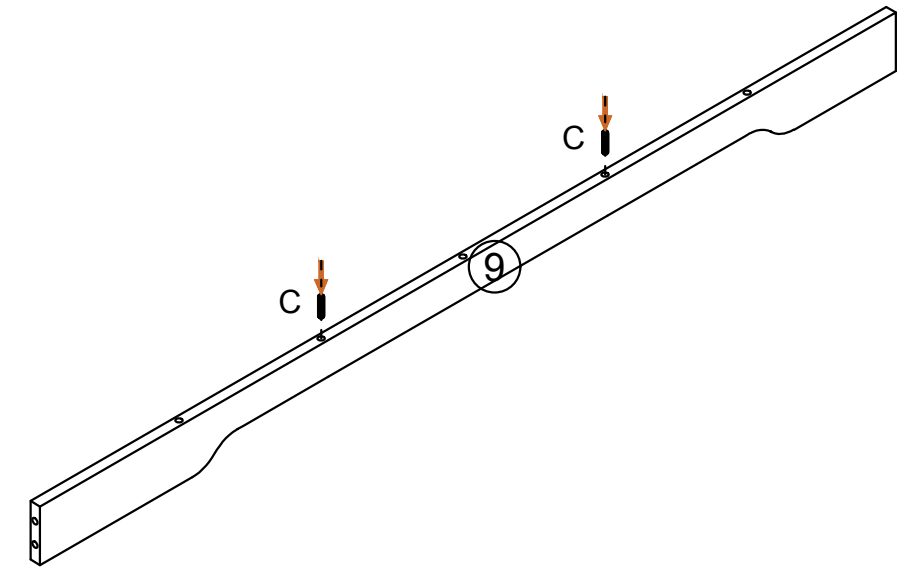


7

2

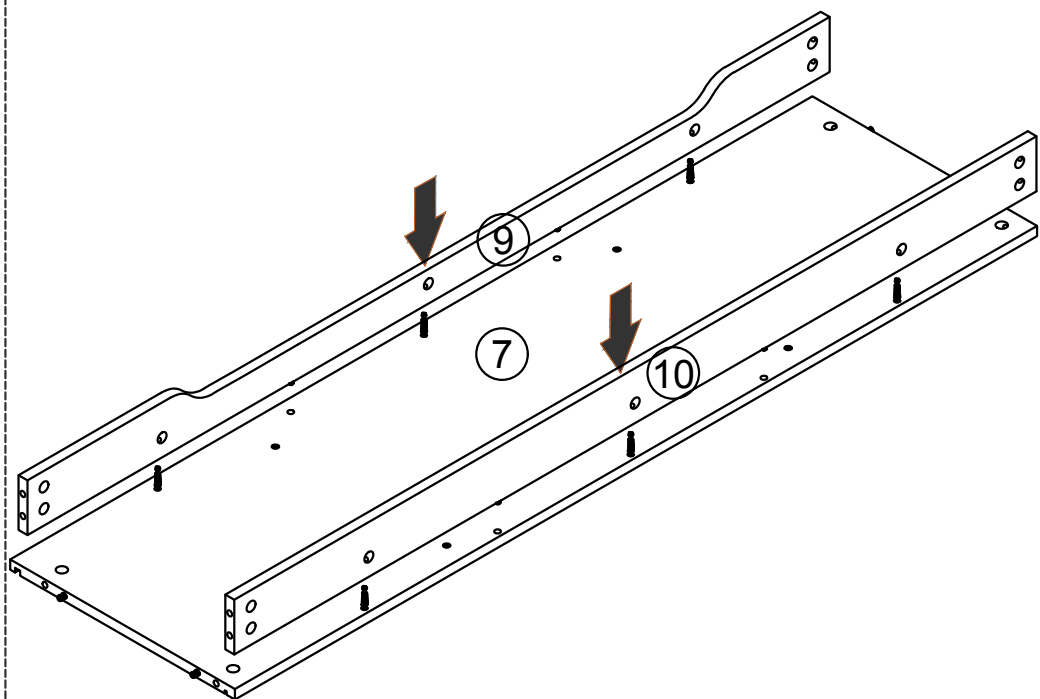


10



9

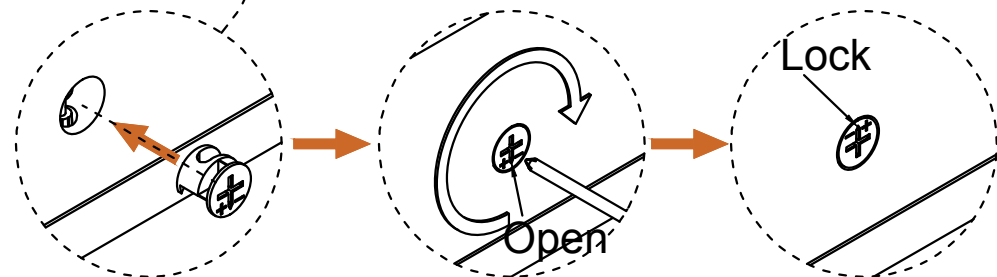
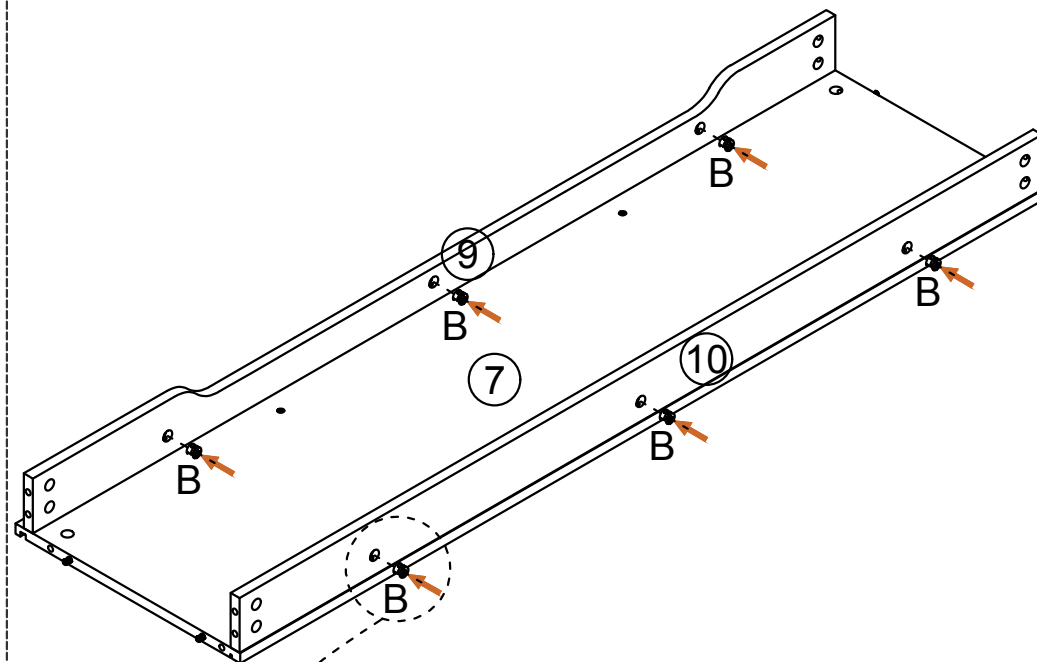
3



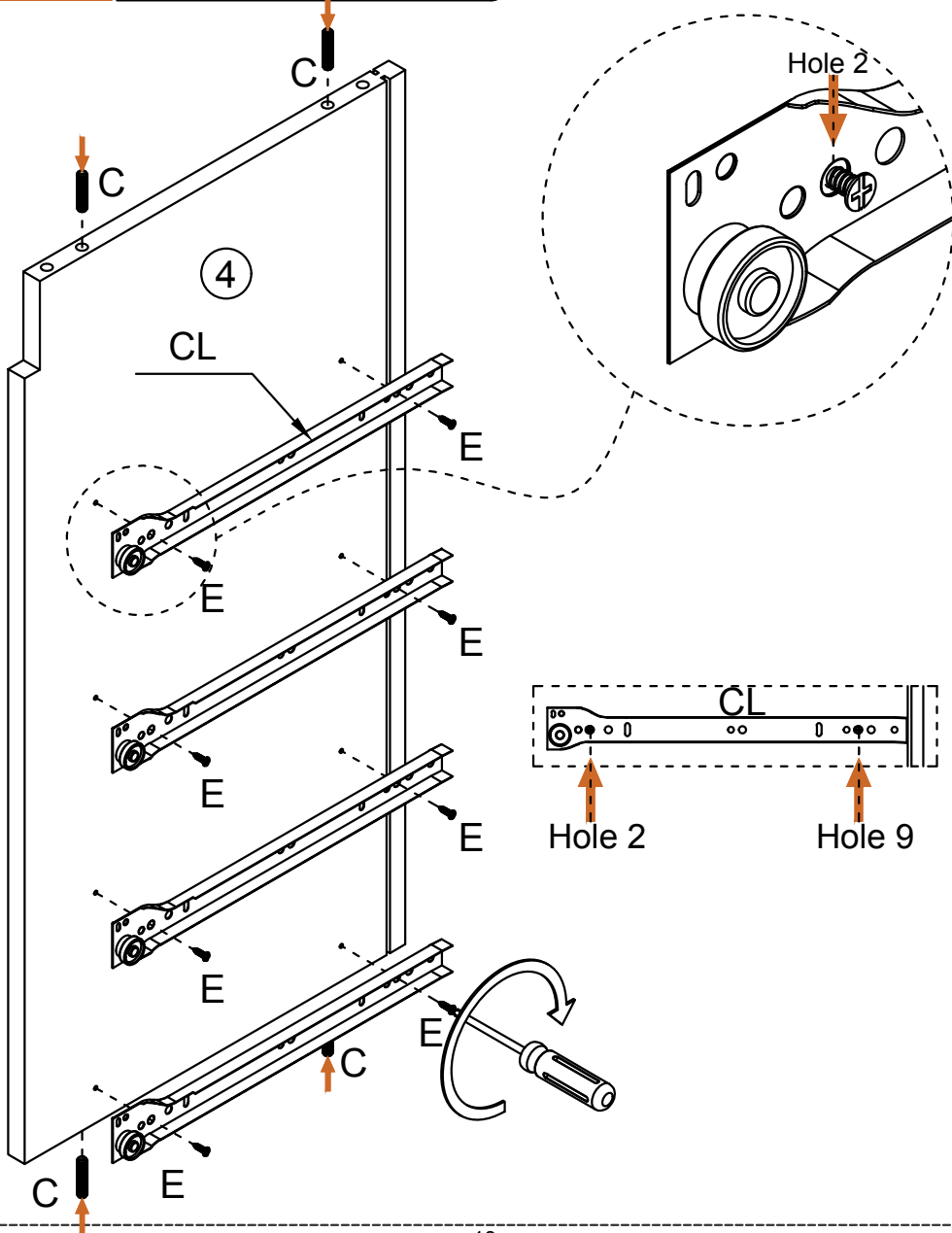
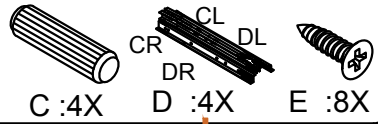
4



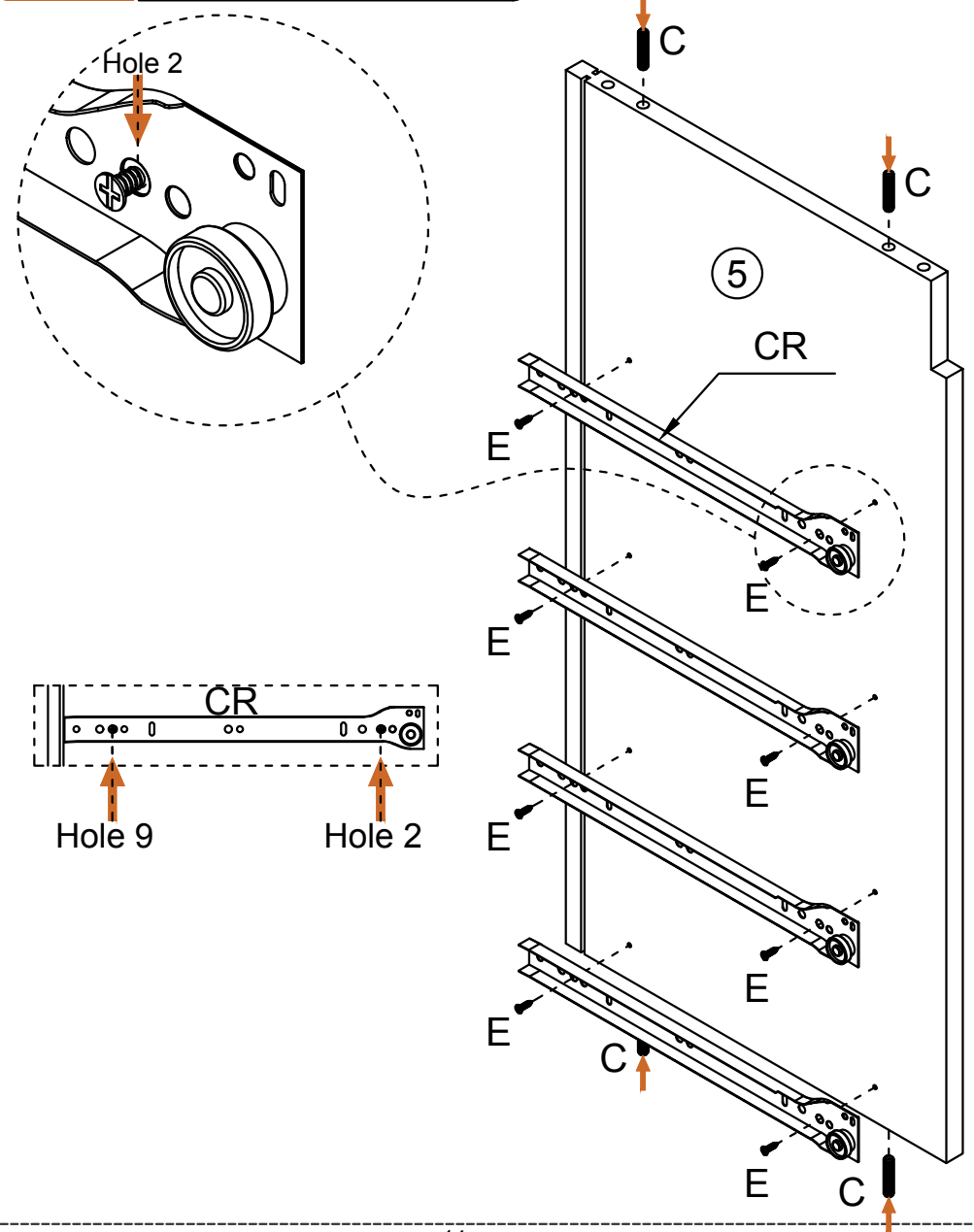
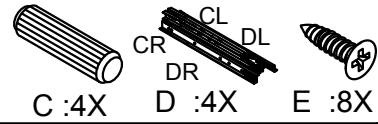
B : 6X



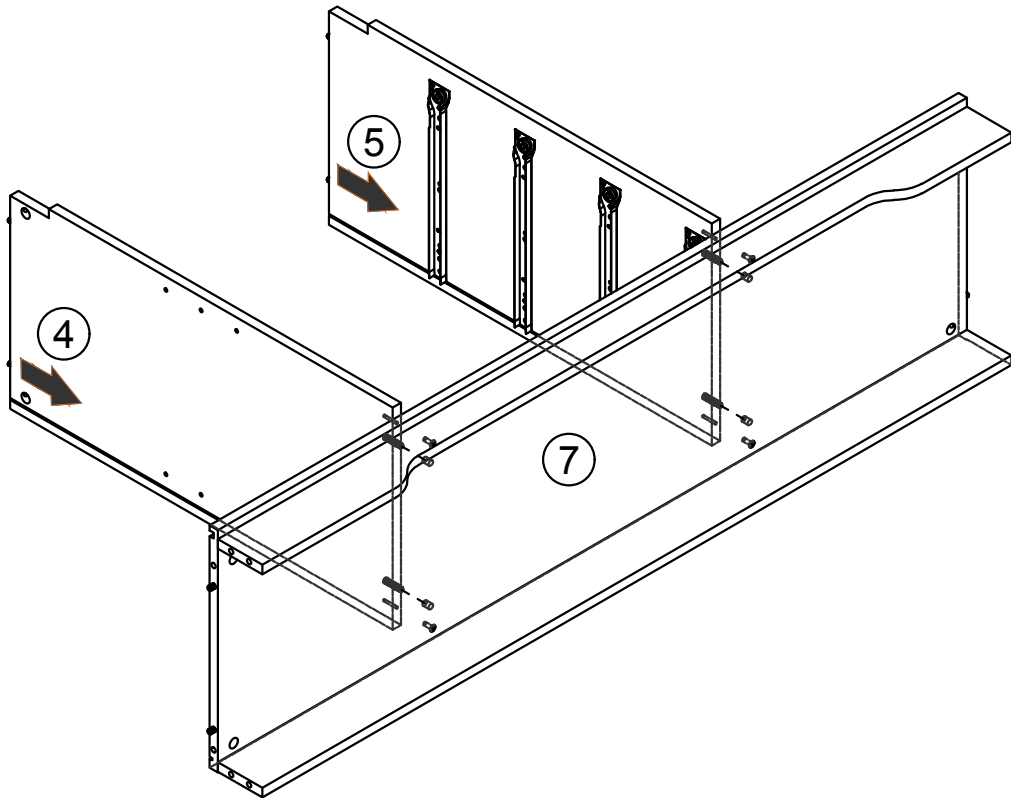
5



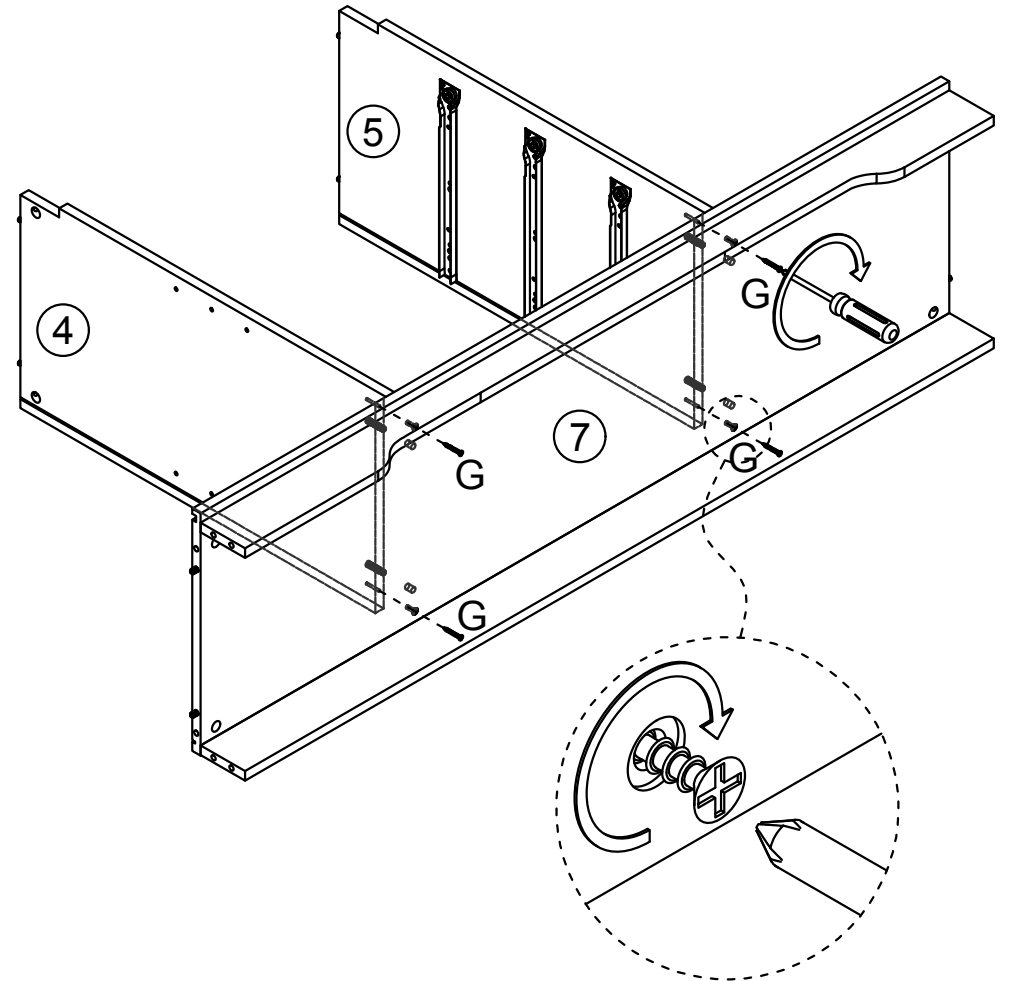
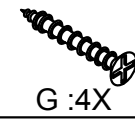
6



7



8



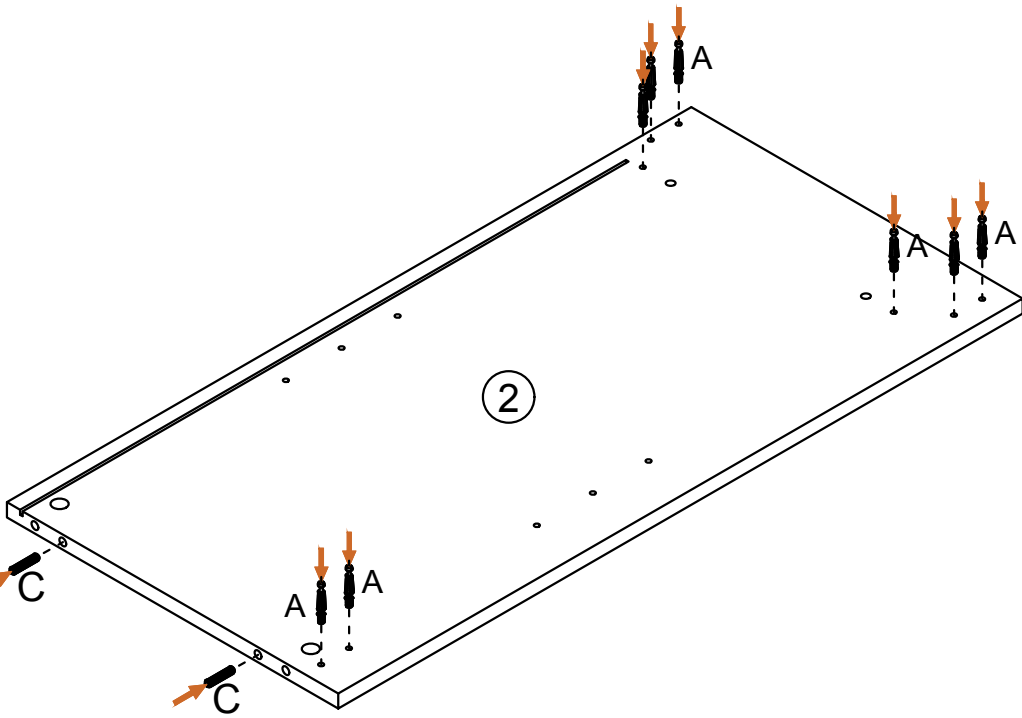


9



A :8X

C :2X

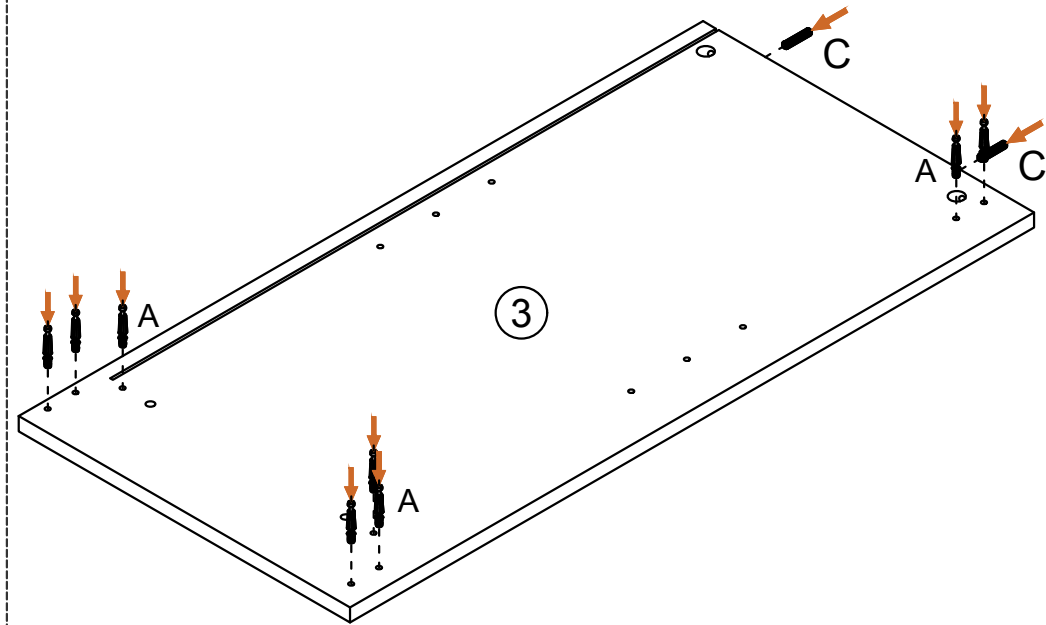


10



A :8X

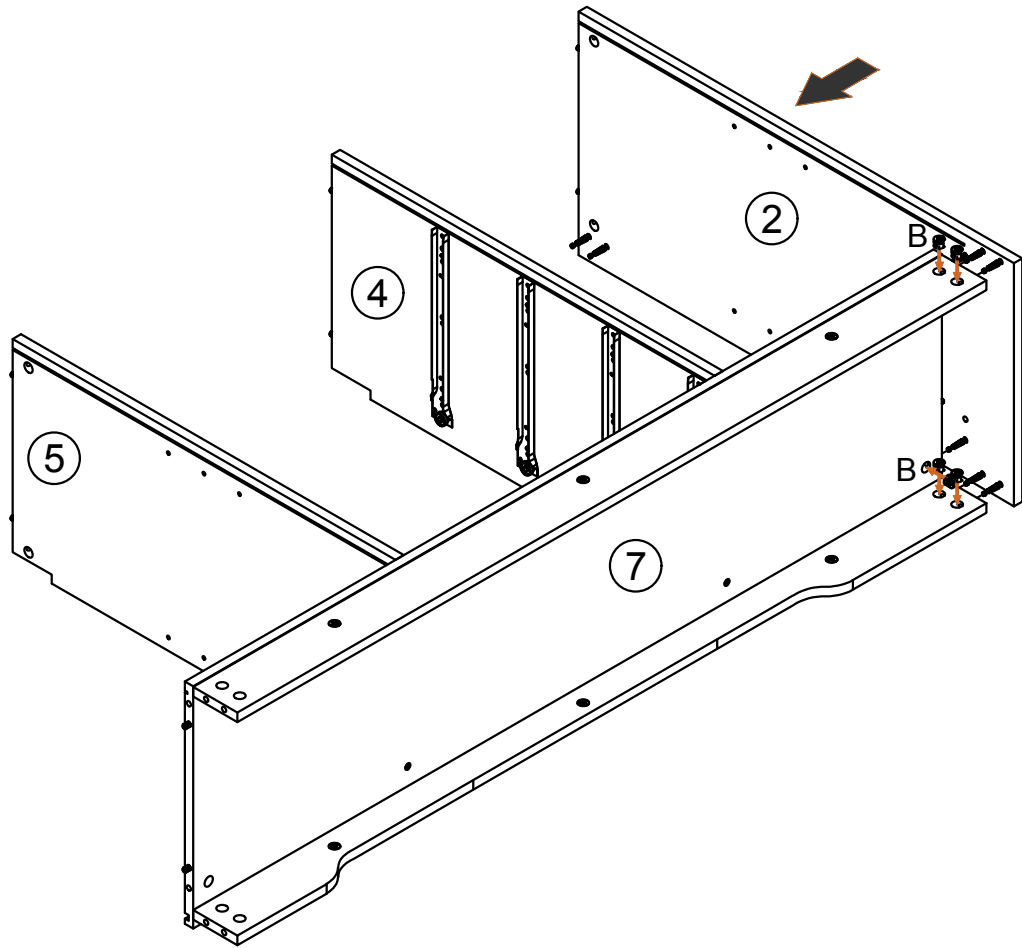
C :2X



11



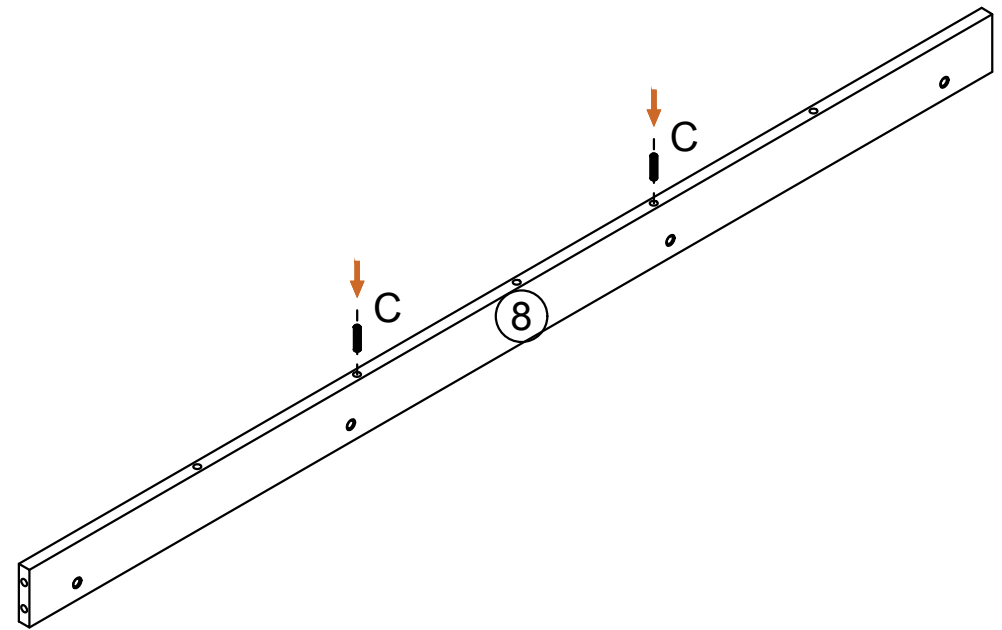
B :6X



12



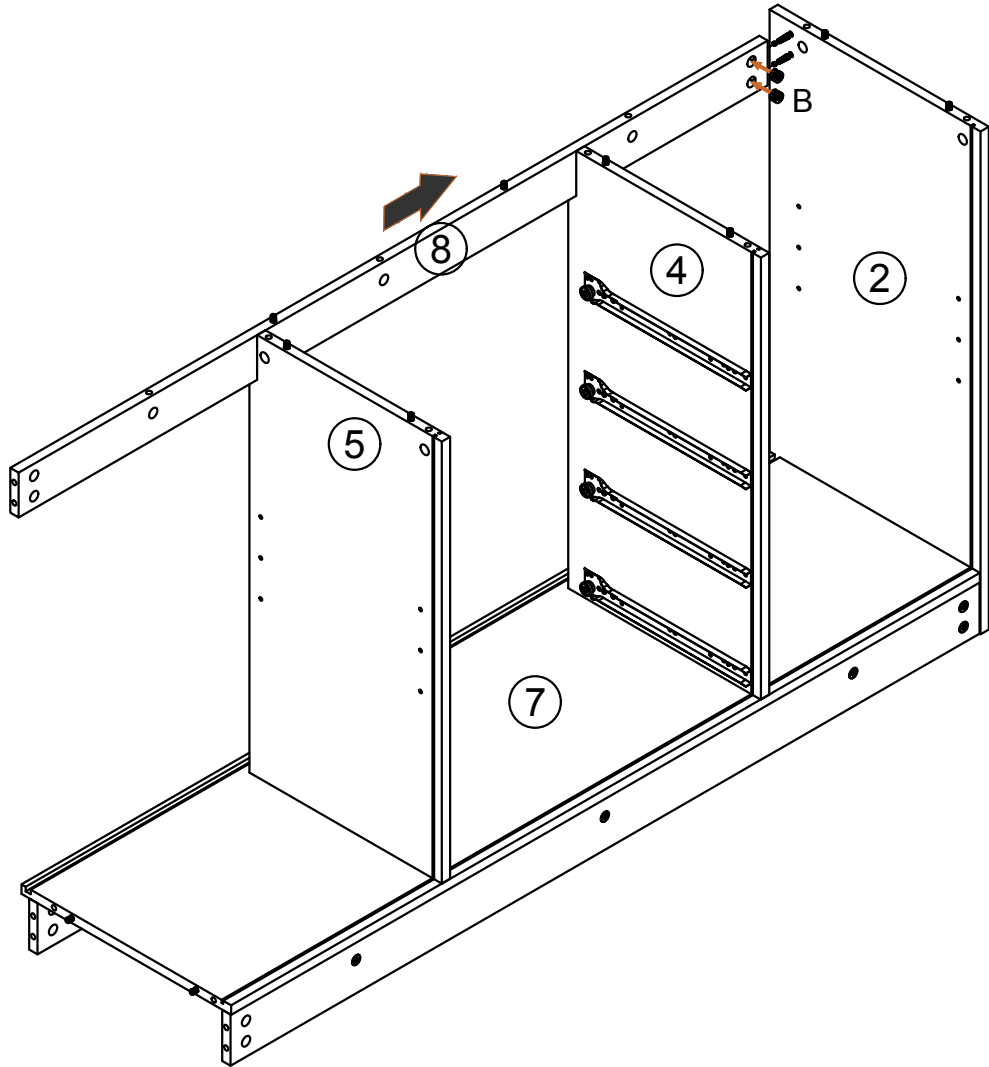
C :2X



13



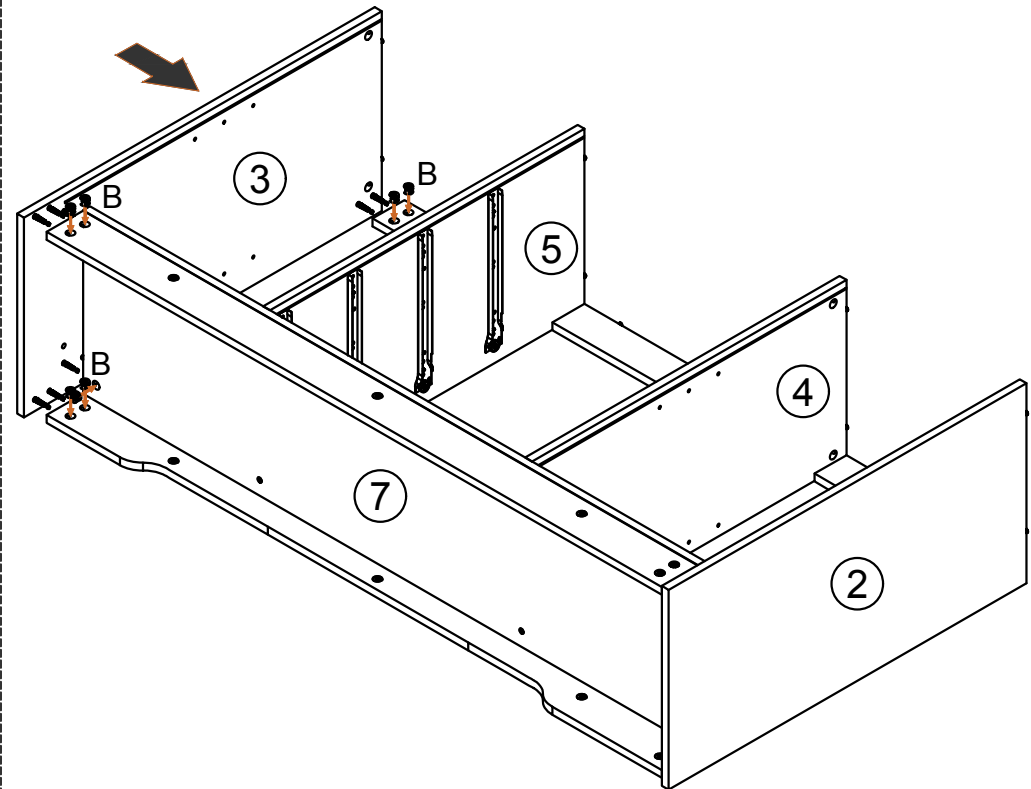
B :2X



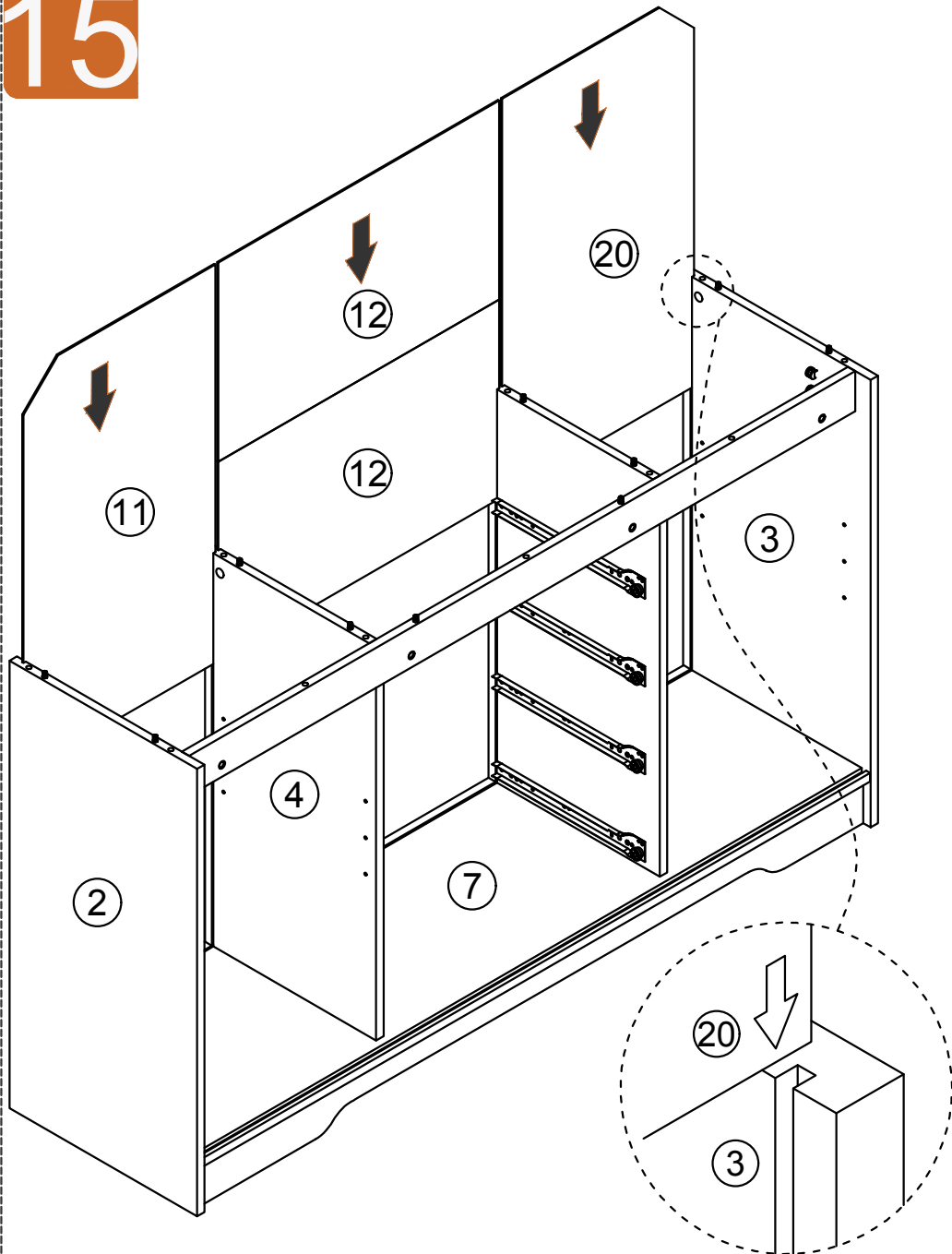
14



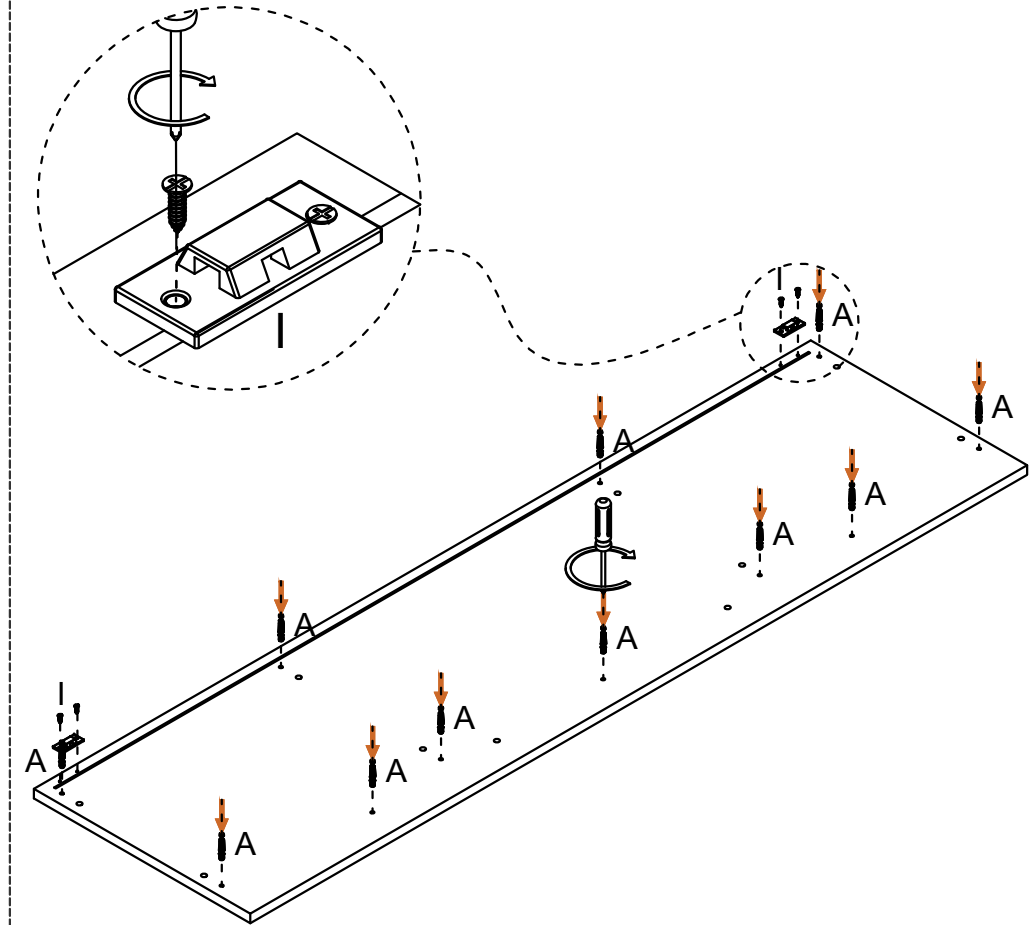
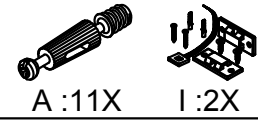
B :8X



15



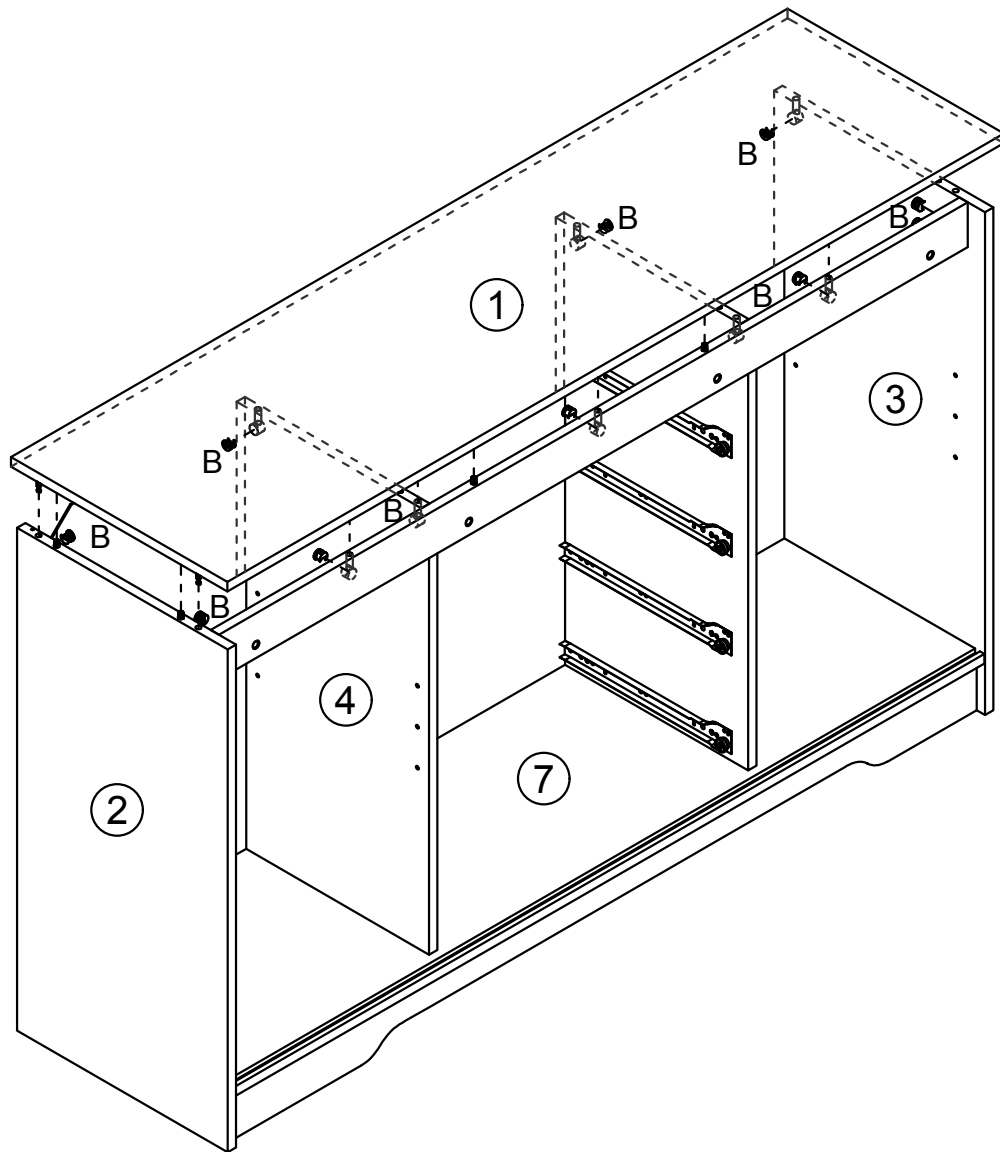
16



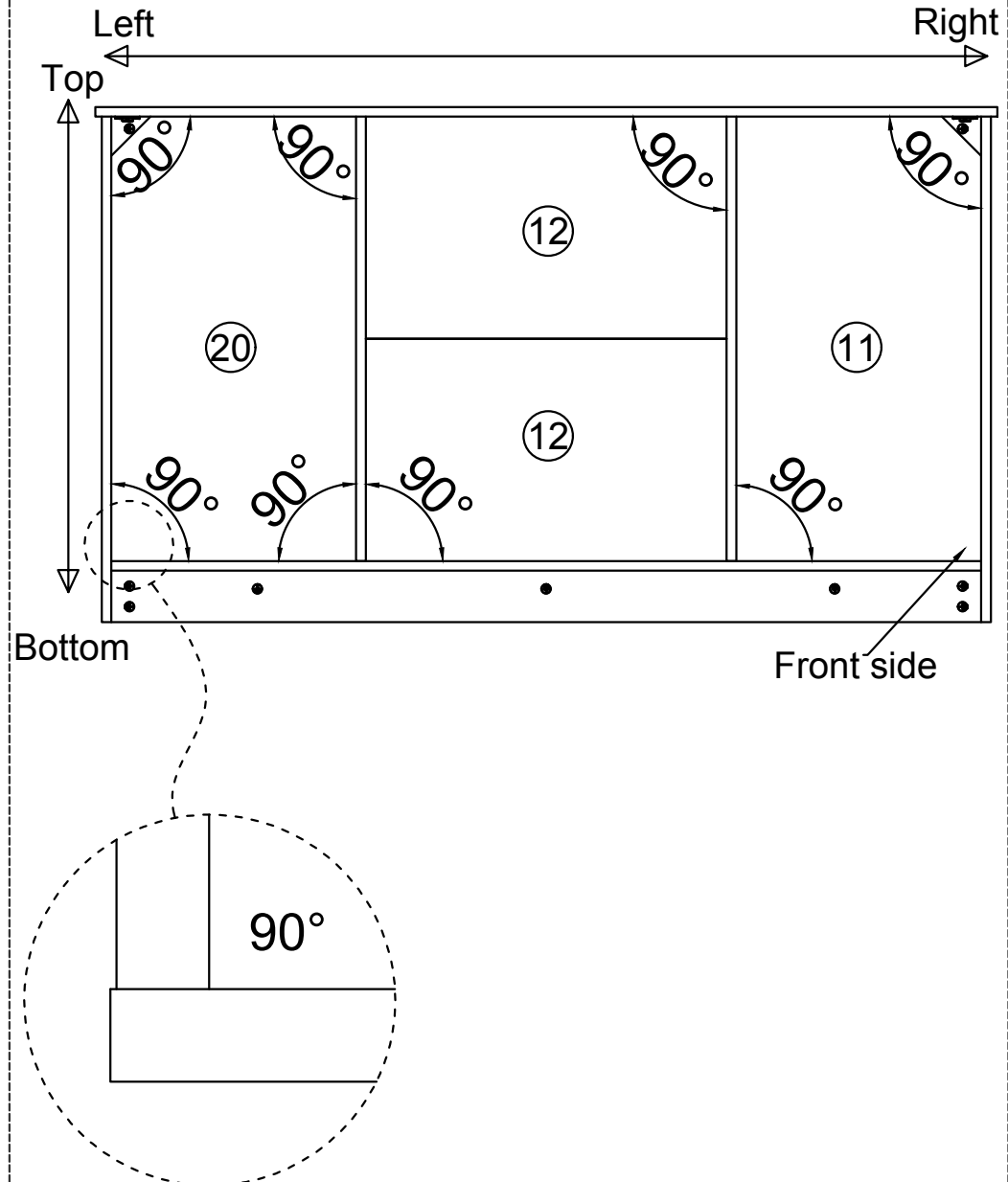
17



B : 11X



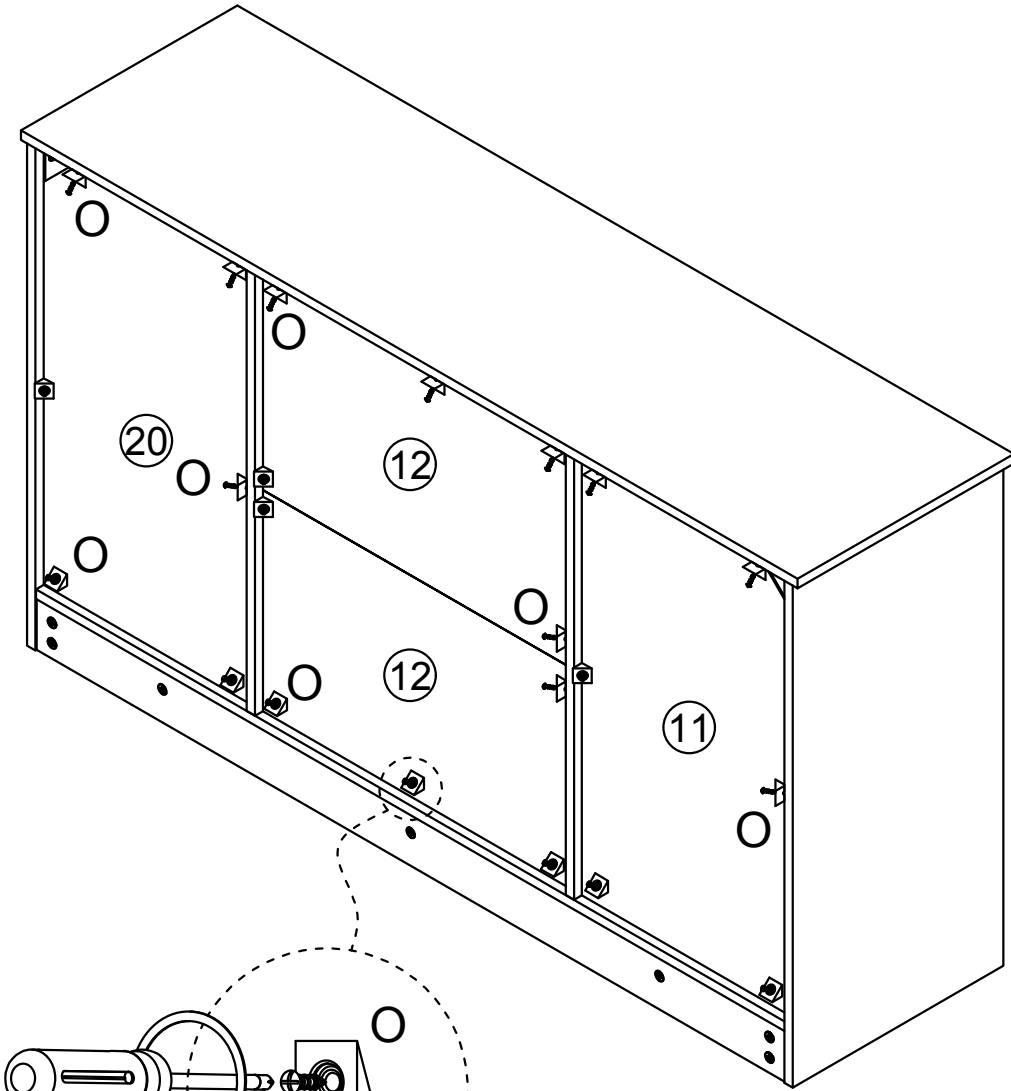
18



19



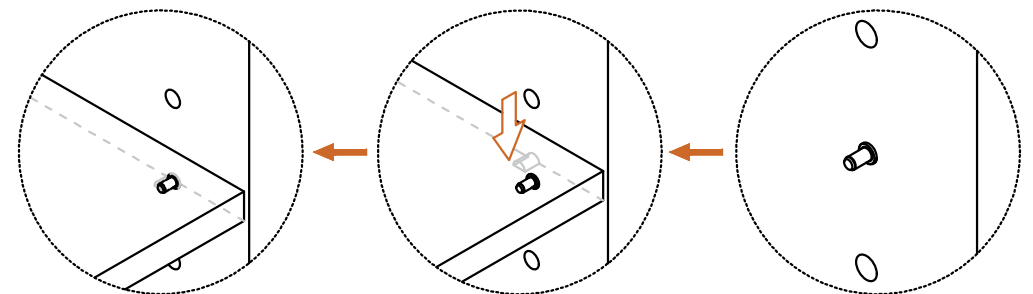
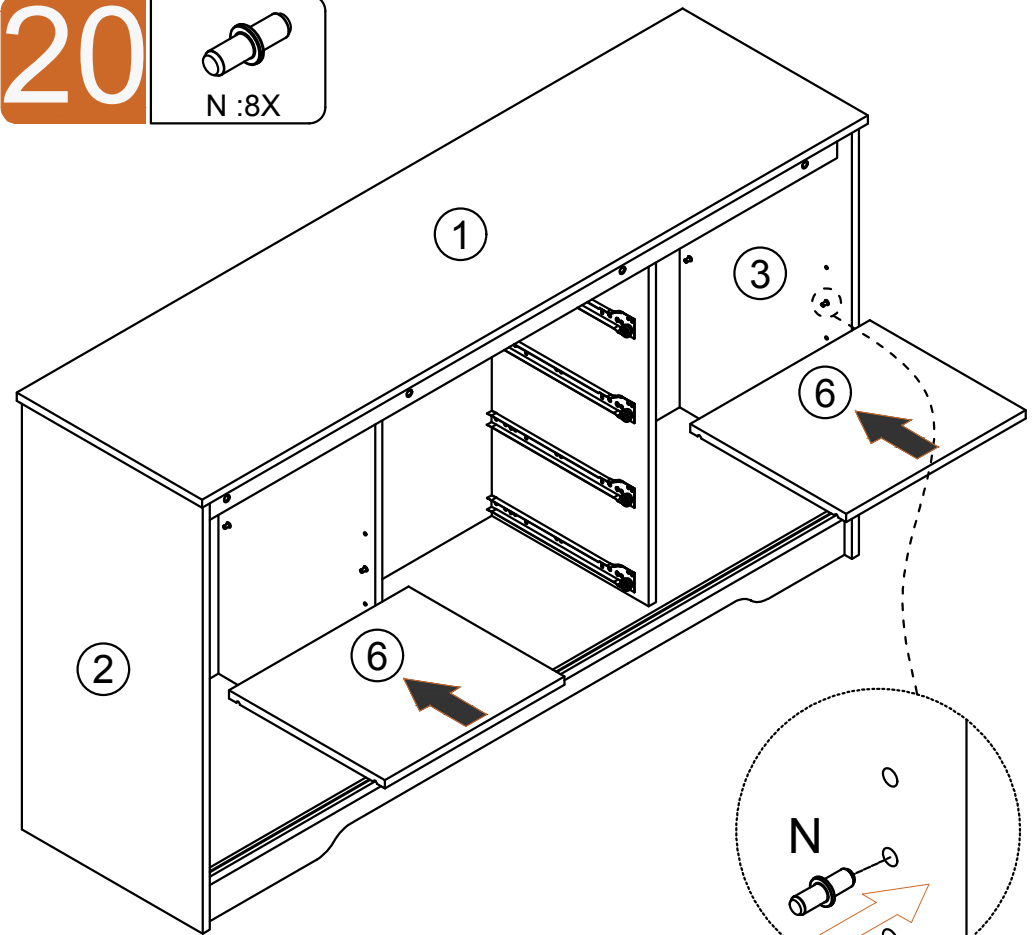
O :22X



20



N :8X



21

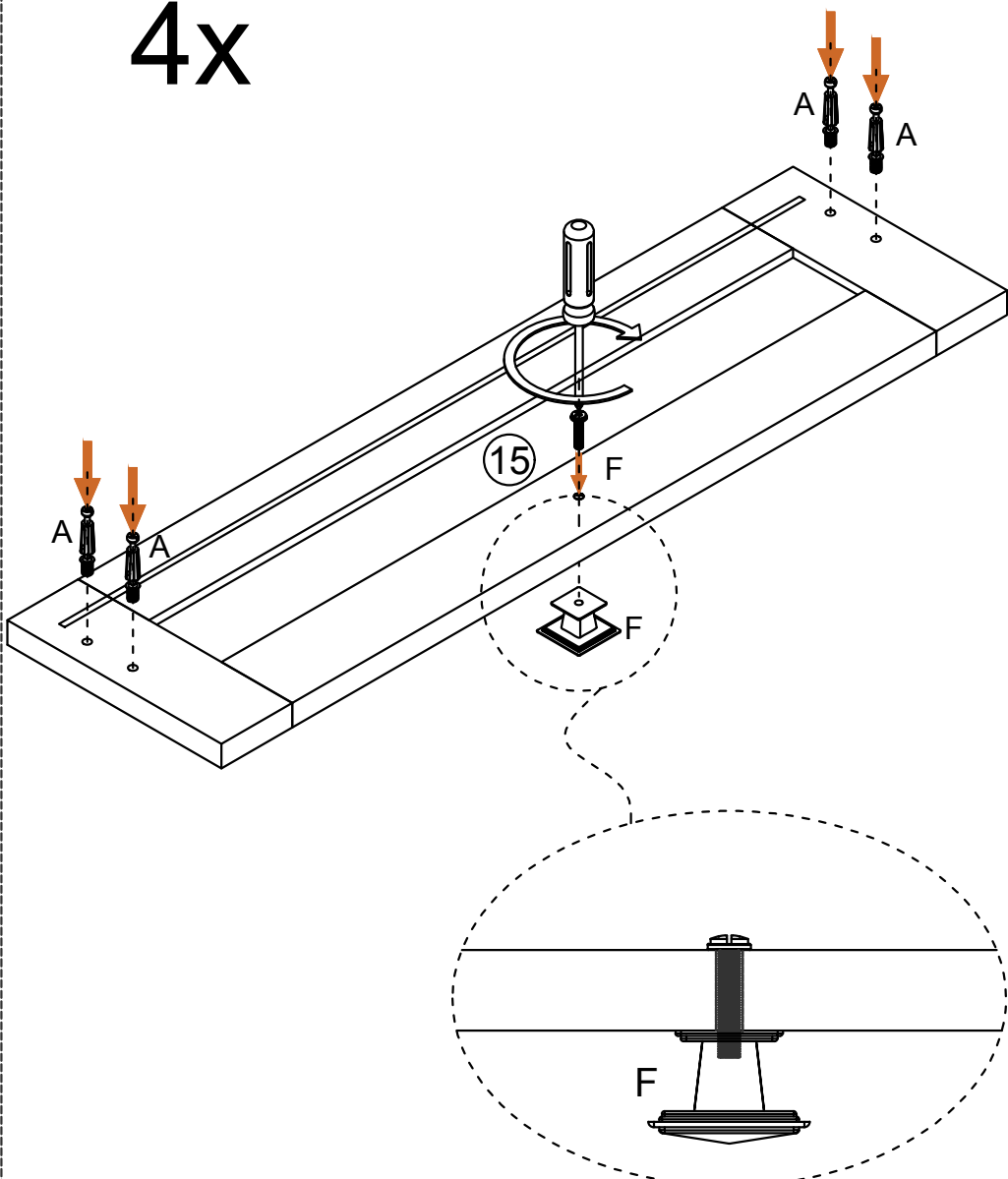


A: 16X



F: 4X

4x

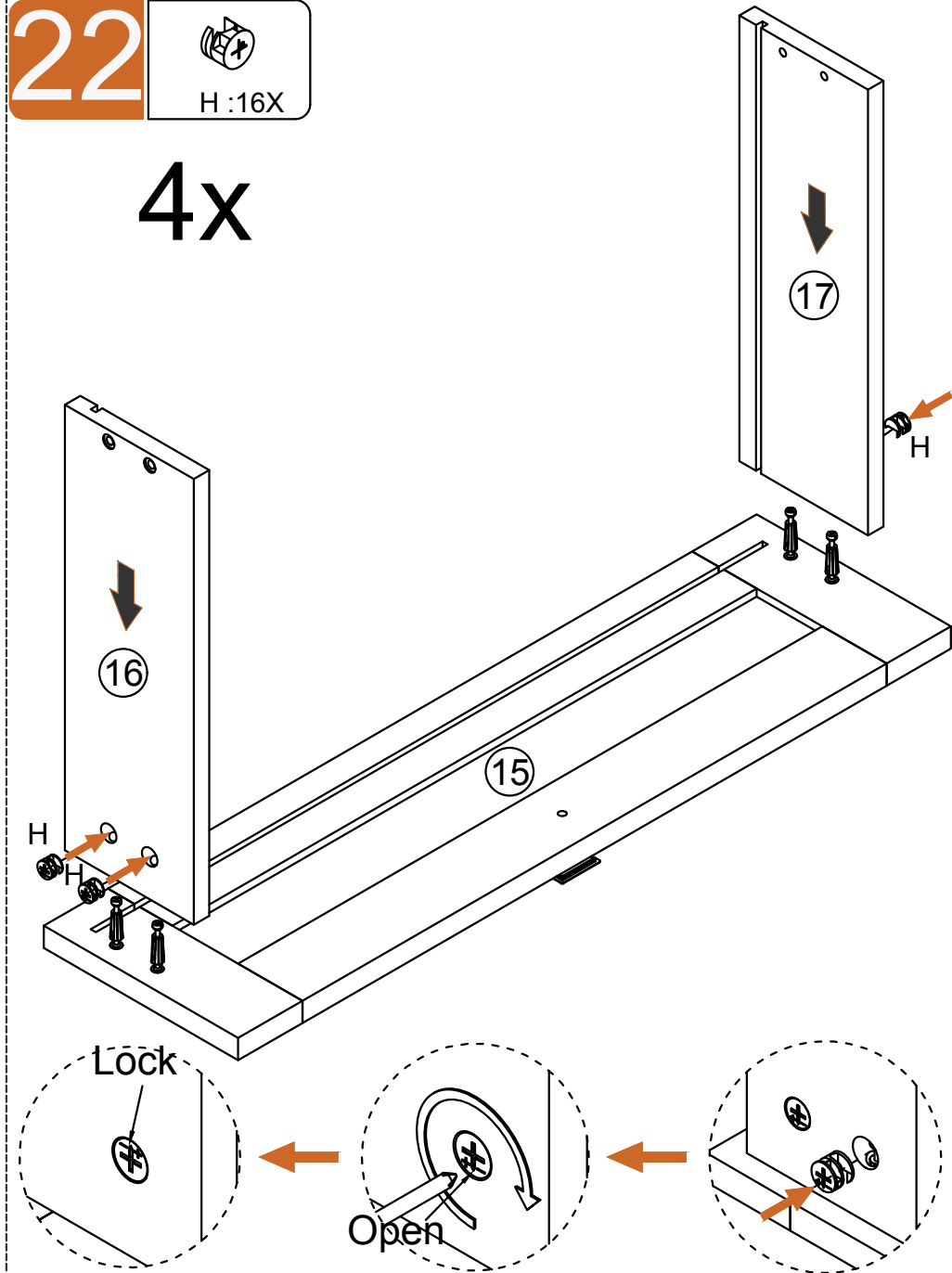


22



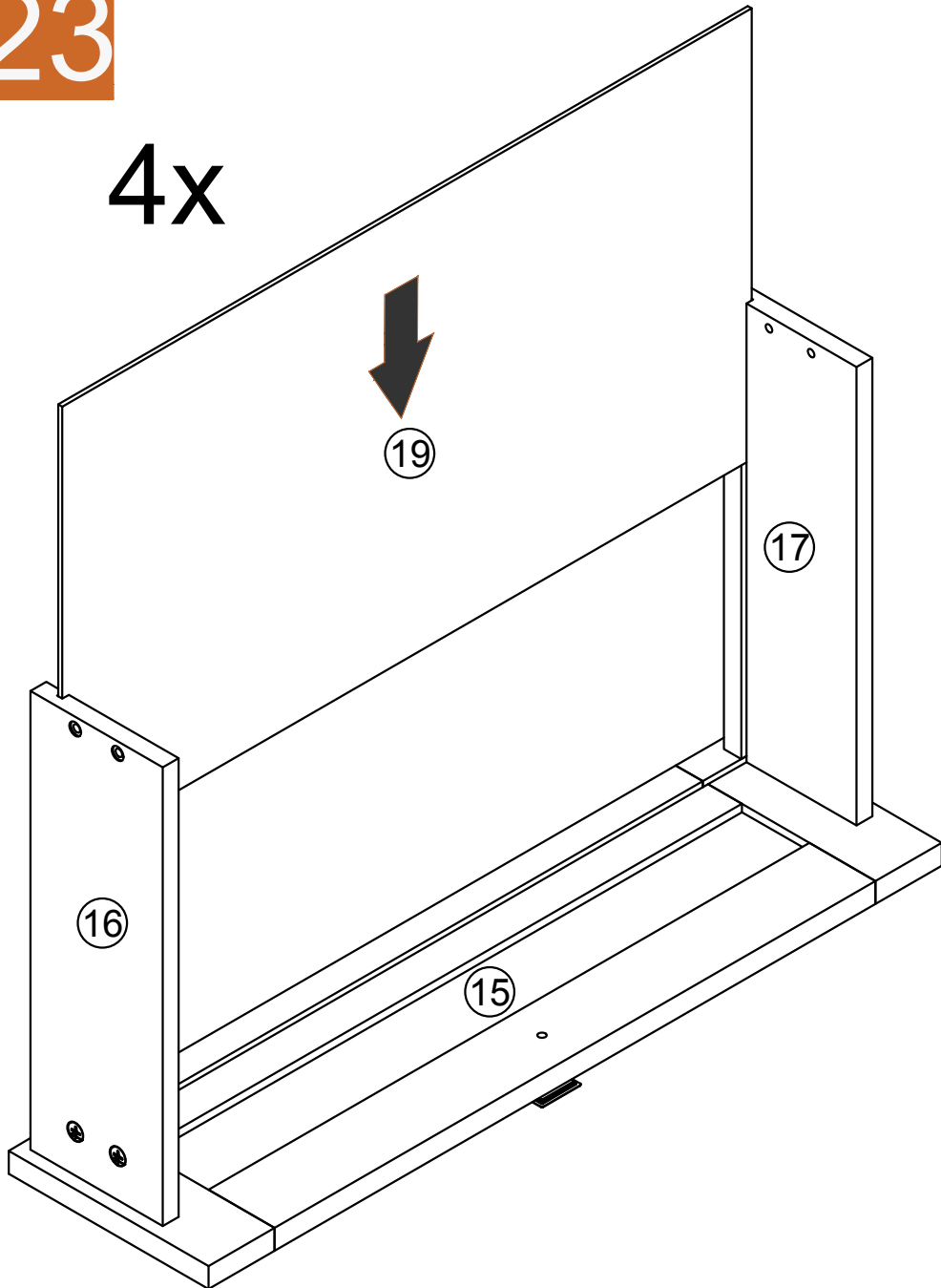
H: 16X

4x



23

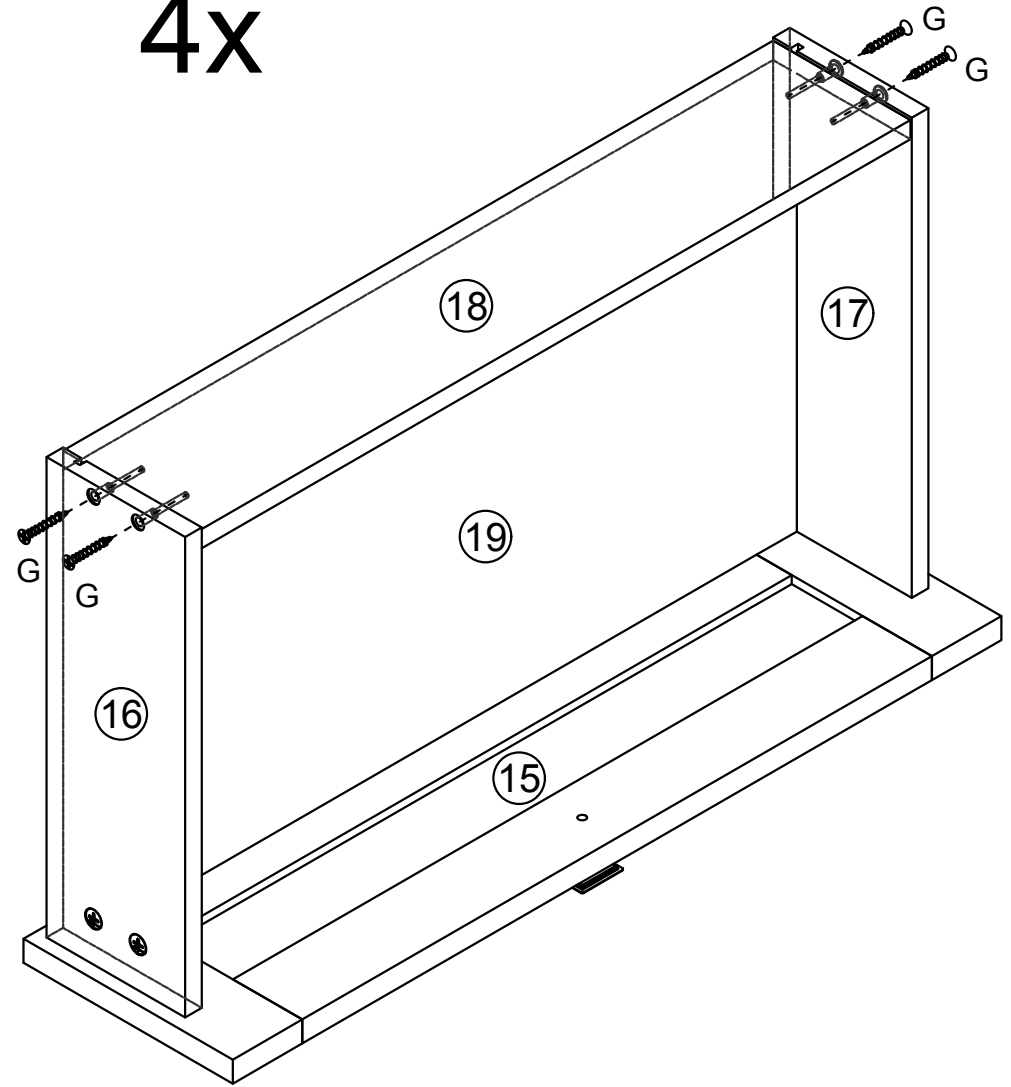
4x



24

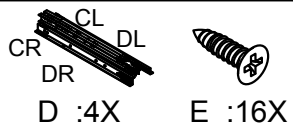


4x

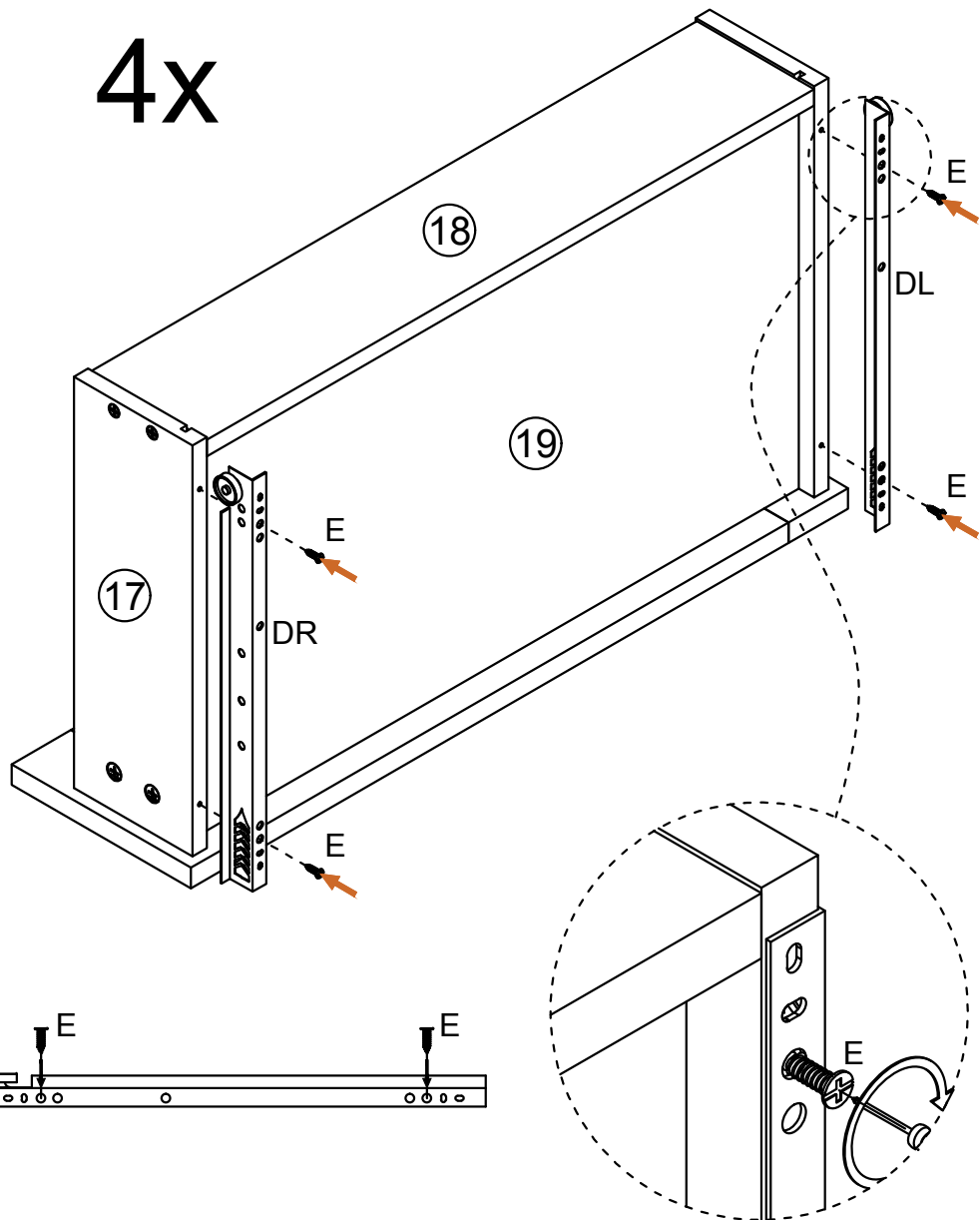




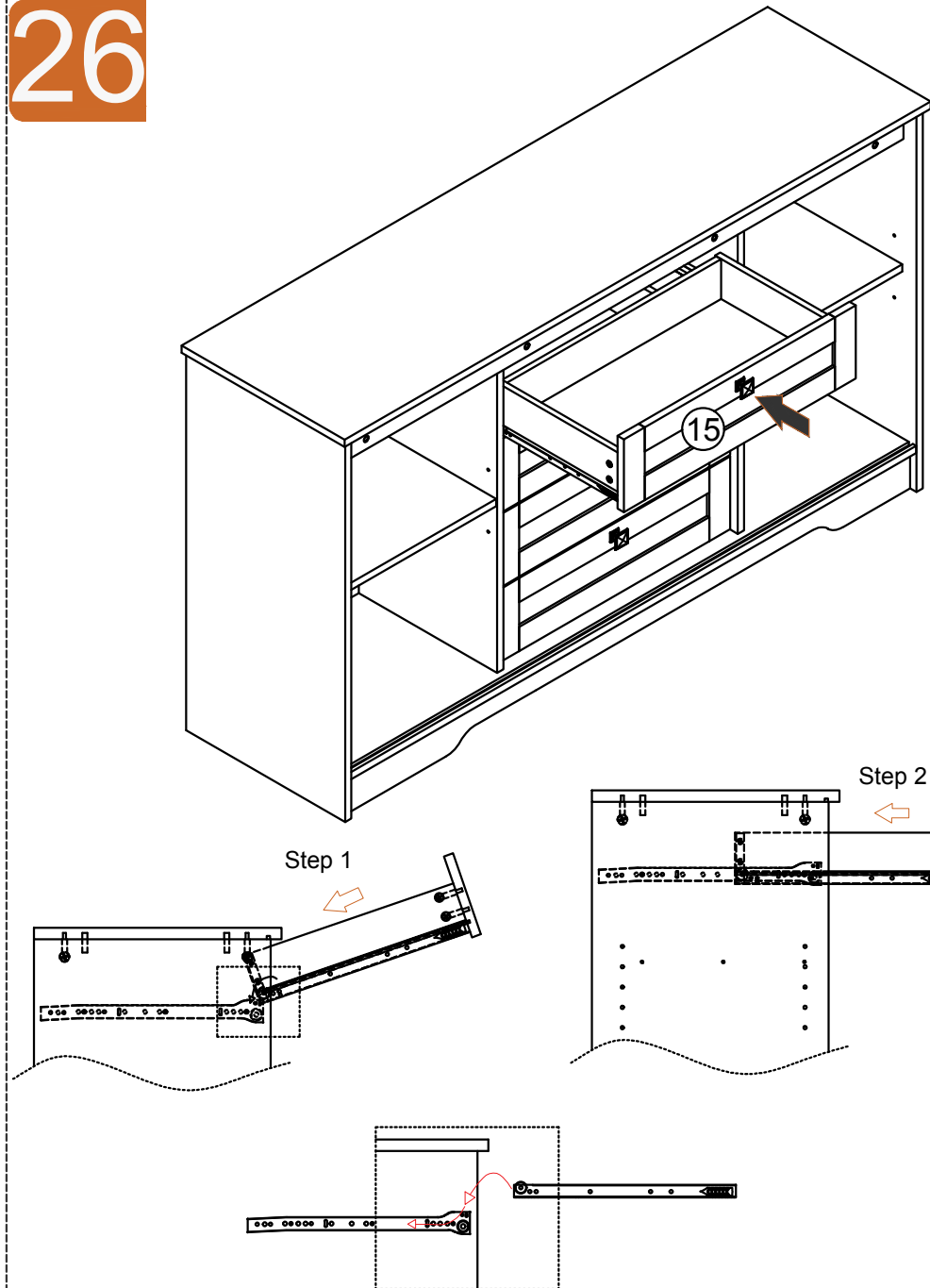
25



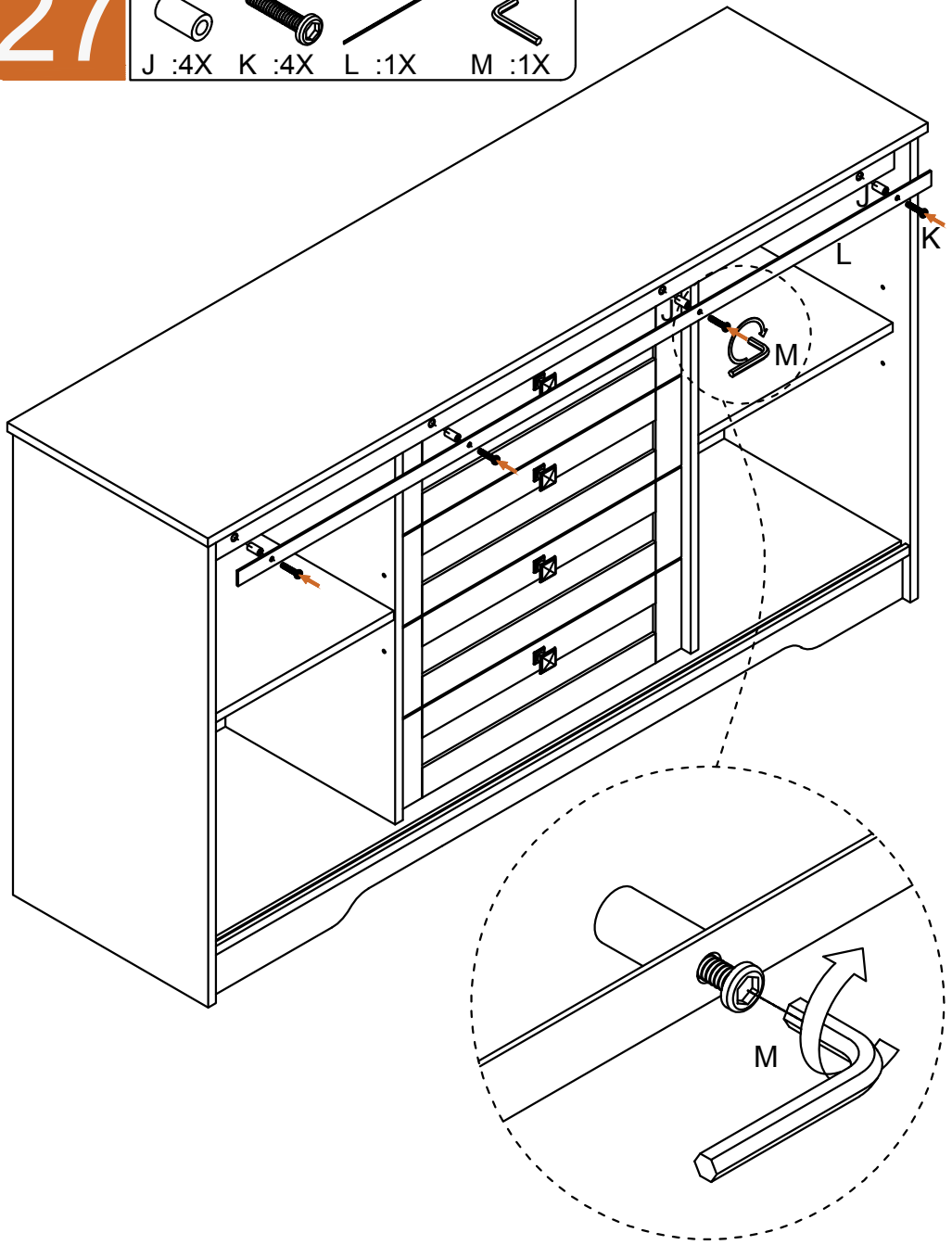
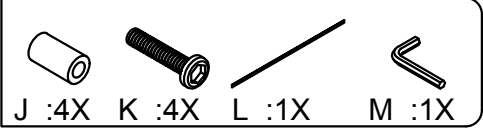
4x



26



27



28

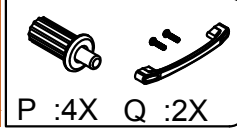
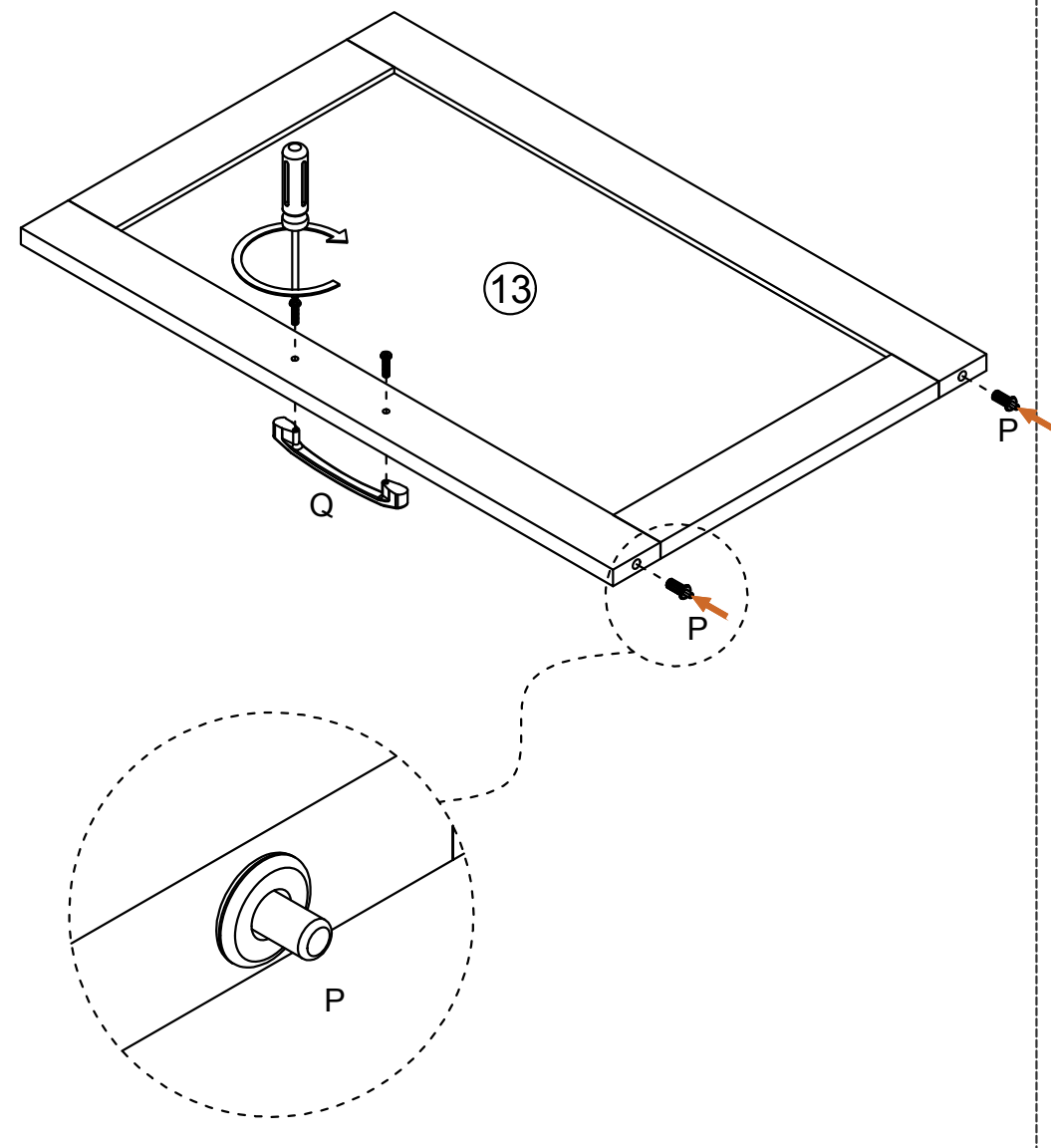
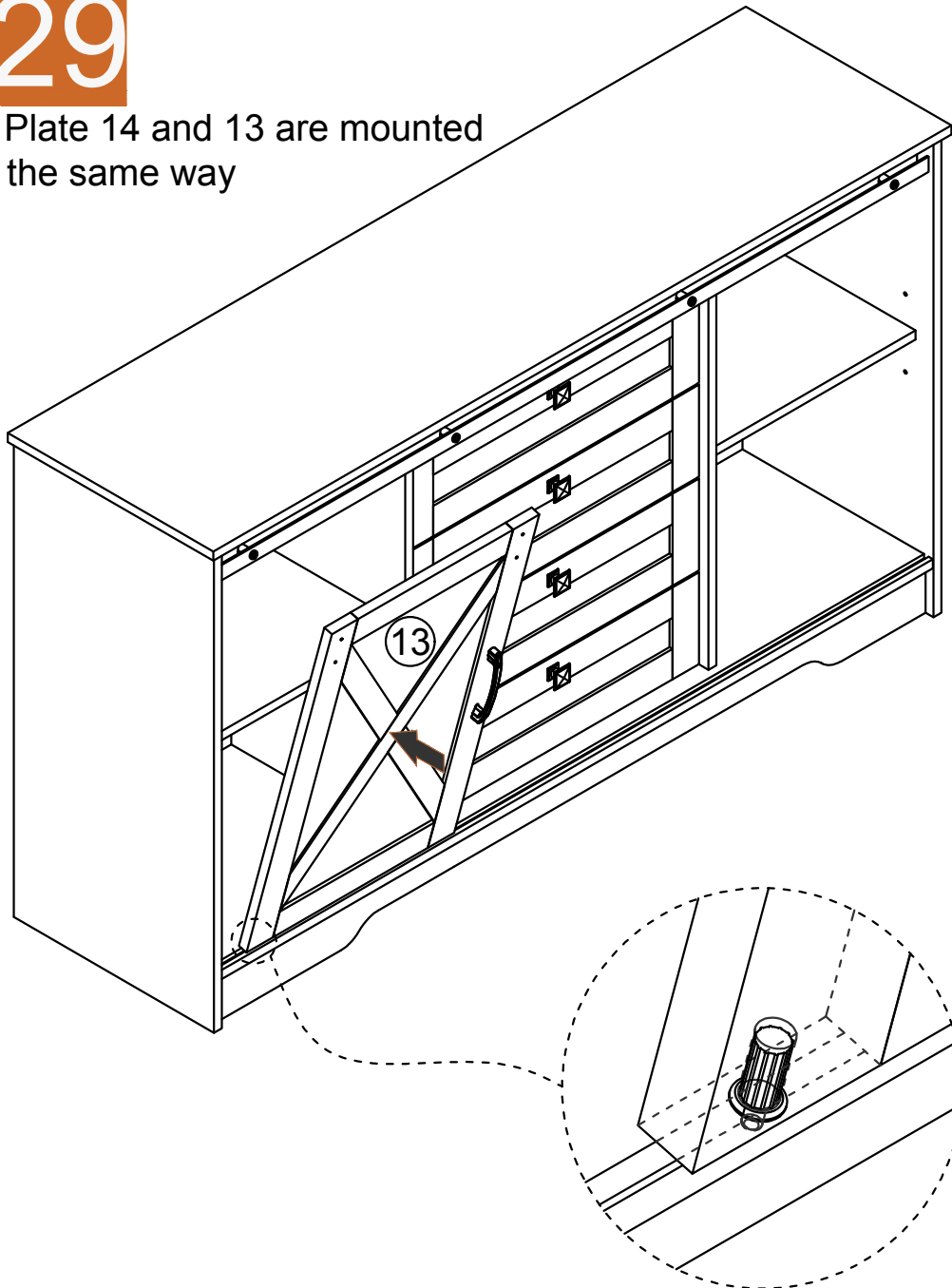


Plate 14 and 13 are mounted the same way



29

Plate 14 and 13 are mounted the same way



30

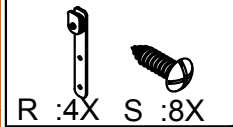
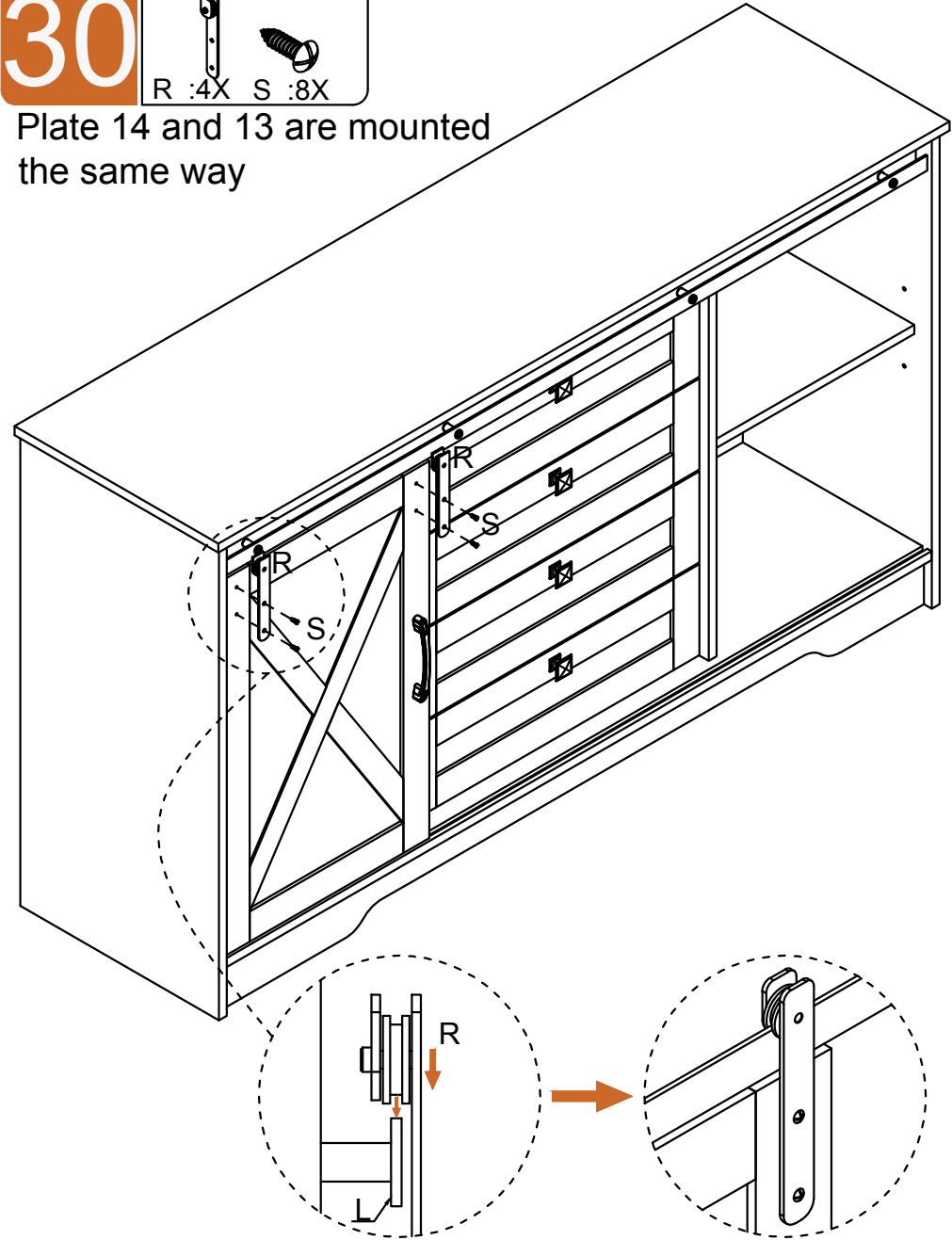
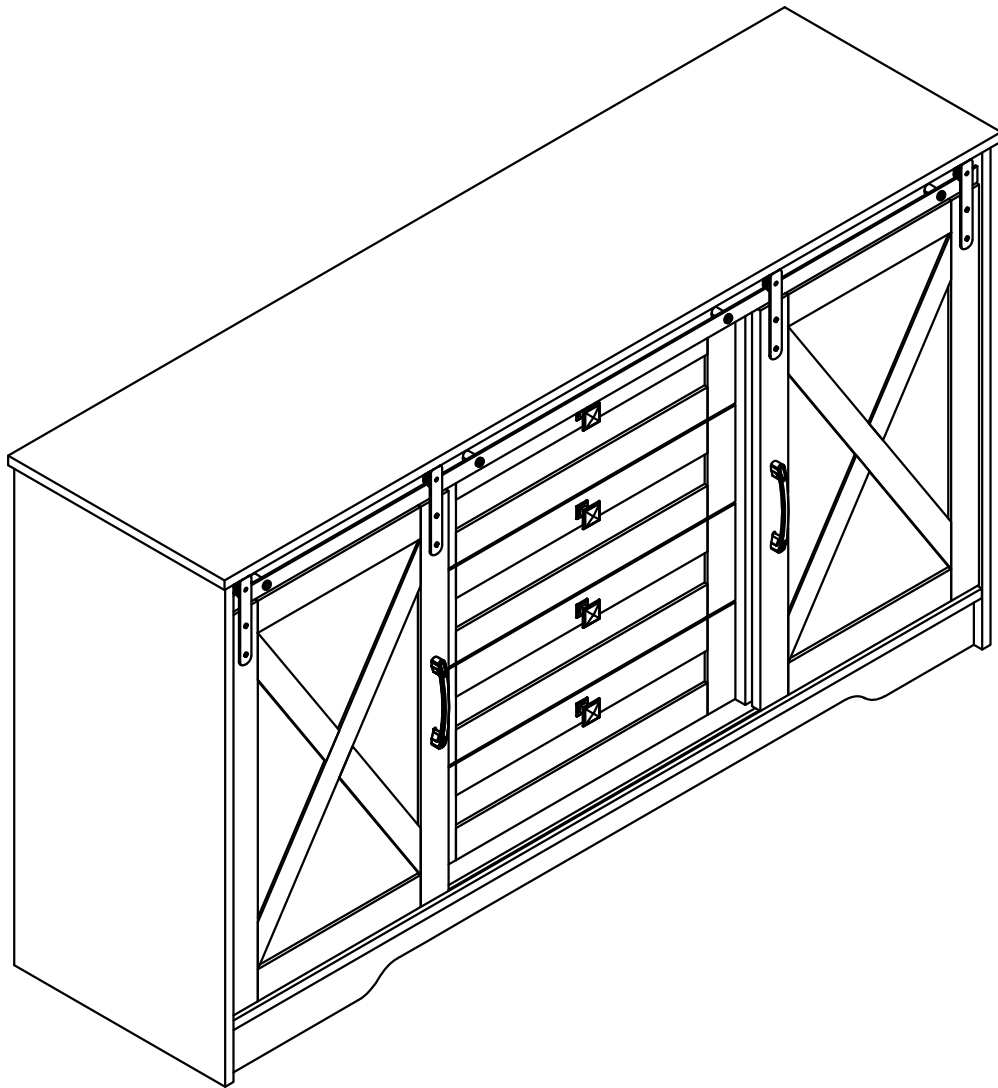


Plate 14 and 13 are mounted the same way





**31**  1:2X

