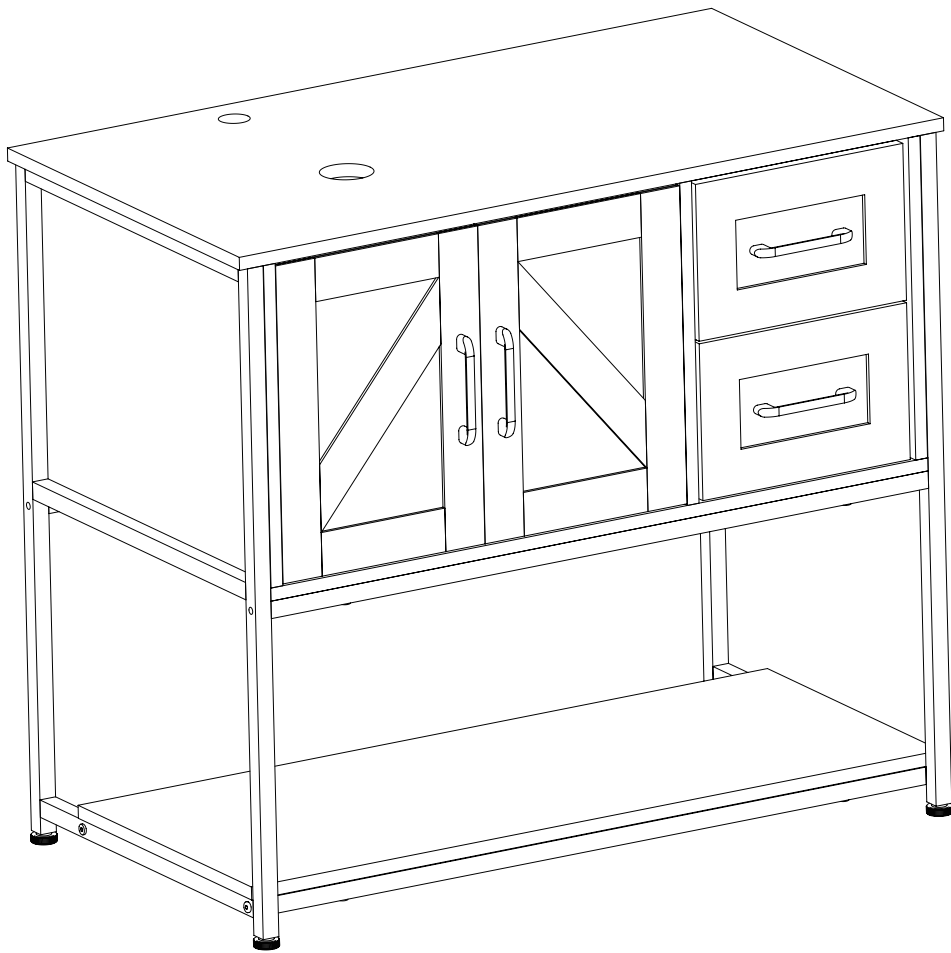
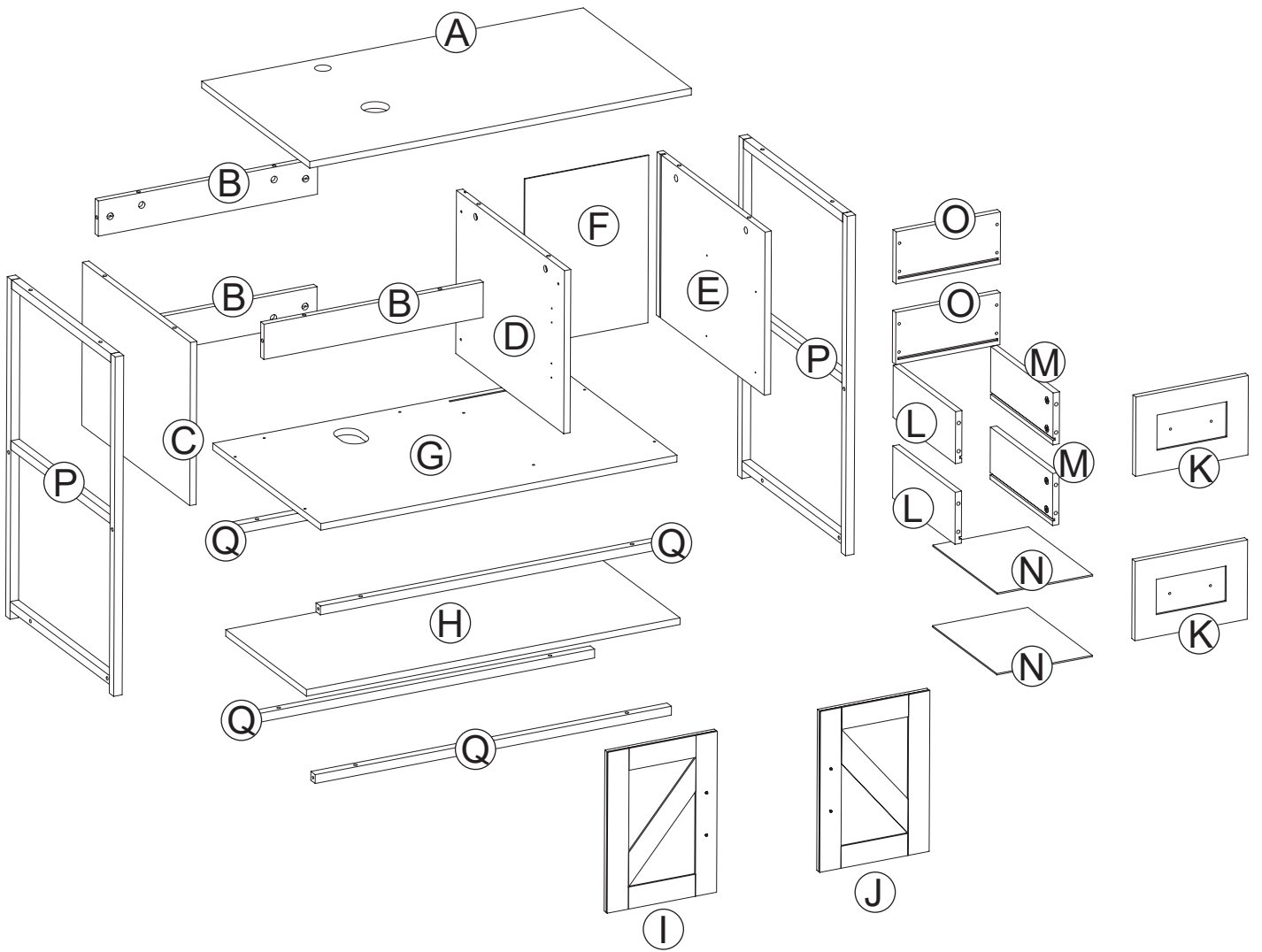


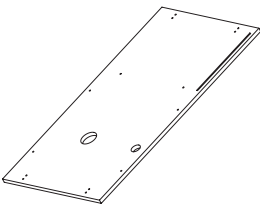
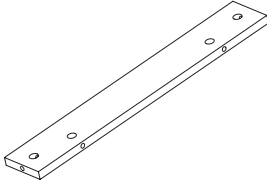
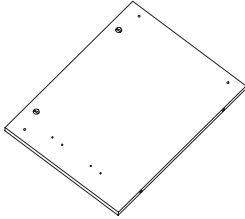
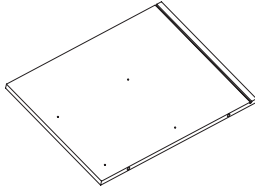
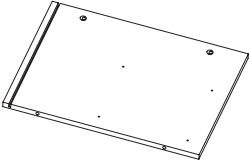
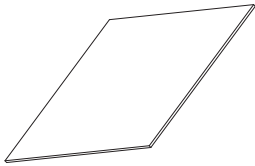
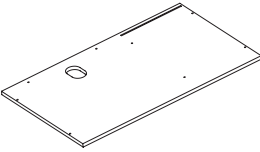
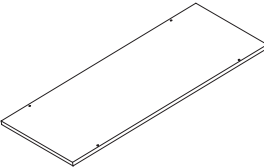
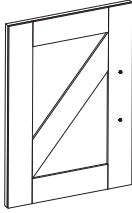
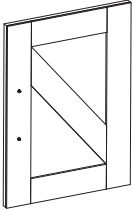
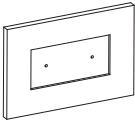
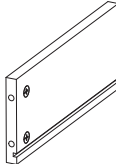
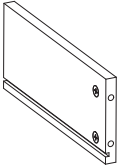
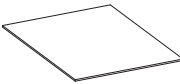
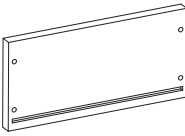
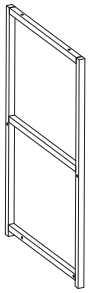
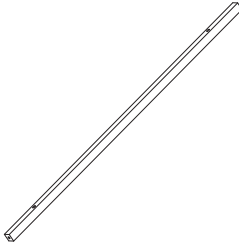
INSTALLATION INSTRUCTION



BOARD IDENTIFICATION



BOARD IDENTIFICATION

				
Ax1	Bx3	Cx1	Dx1	Ex1
				
Fx1	Gx1	Hx1	Ix1	Jx1
				
Kx2	Lx2	Mx2	Nx2	Ox2
				
Px2	Qx4			

Warnings

- Tipping over the product may cause serious or fatal injuries.
- Stop using the product if any parts are missing or damaged.
- Children should only use the product under adult supervision. Do not allow children to climb or play on the product to prevent injury from tipping or breaking of the furniture.
- During assembly, keep all small parts out of the reach of children to avoid the risk of choking or suffocation.
- Keep all packaging materials (such as plastic film, bags, foam boards, etc.) out of the reach of children, especially toddlers and infants, to avoid potential hazards such as suffocation.

EN: This product does not contain batteries.

Legal Disclaimer: We cannot be held responsible for any injury, accident or damage that is caused by improper use or by improper repair or modification of the product.

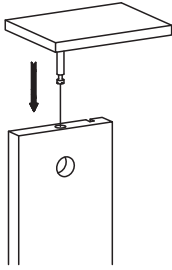
WARNING:

CHOKING HAZARD -- Small parts.
Not for children under 3 years old.

BOARD IDENTIFICATION

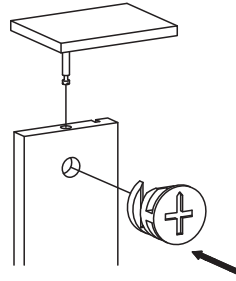
Installation of Eccentric Wheel Nut Set

1



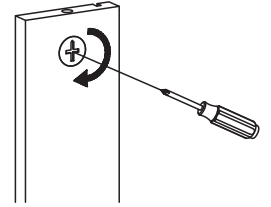
Screw the end of cambolt on the board, find the corresponding board and insert the other end.

2

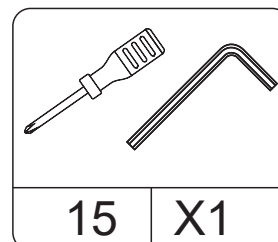
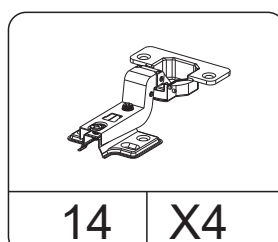
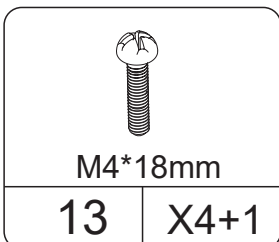
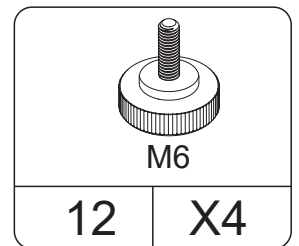
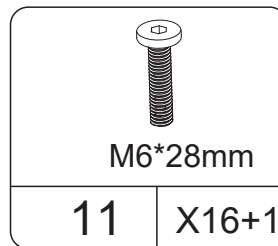
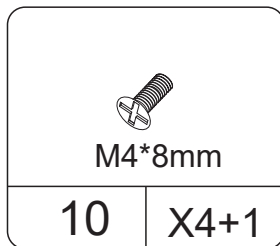
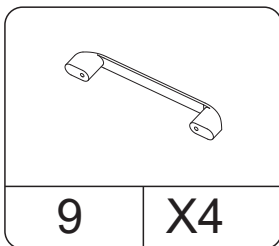
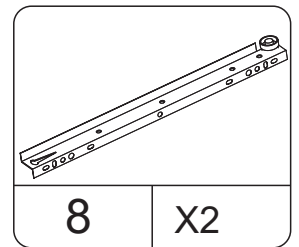
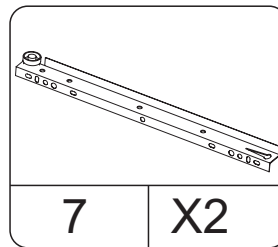
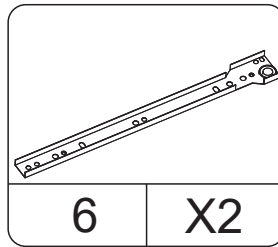
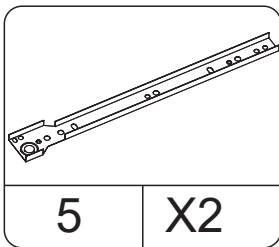
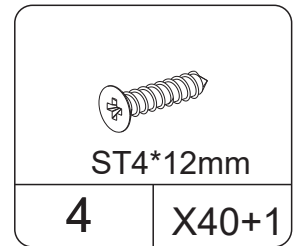
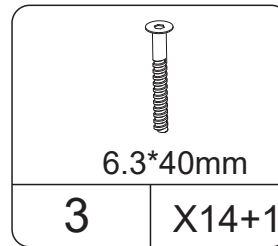
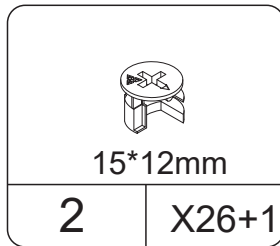
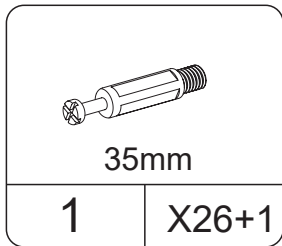


Stuff the camlock into the round hole. The arrowpoints to the cambolt.

3

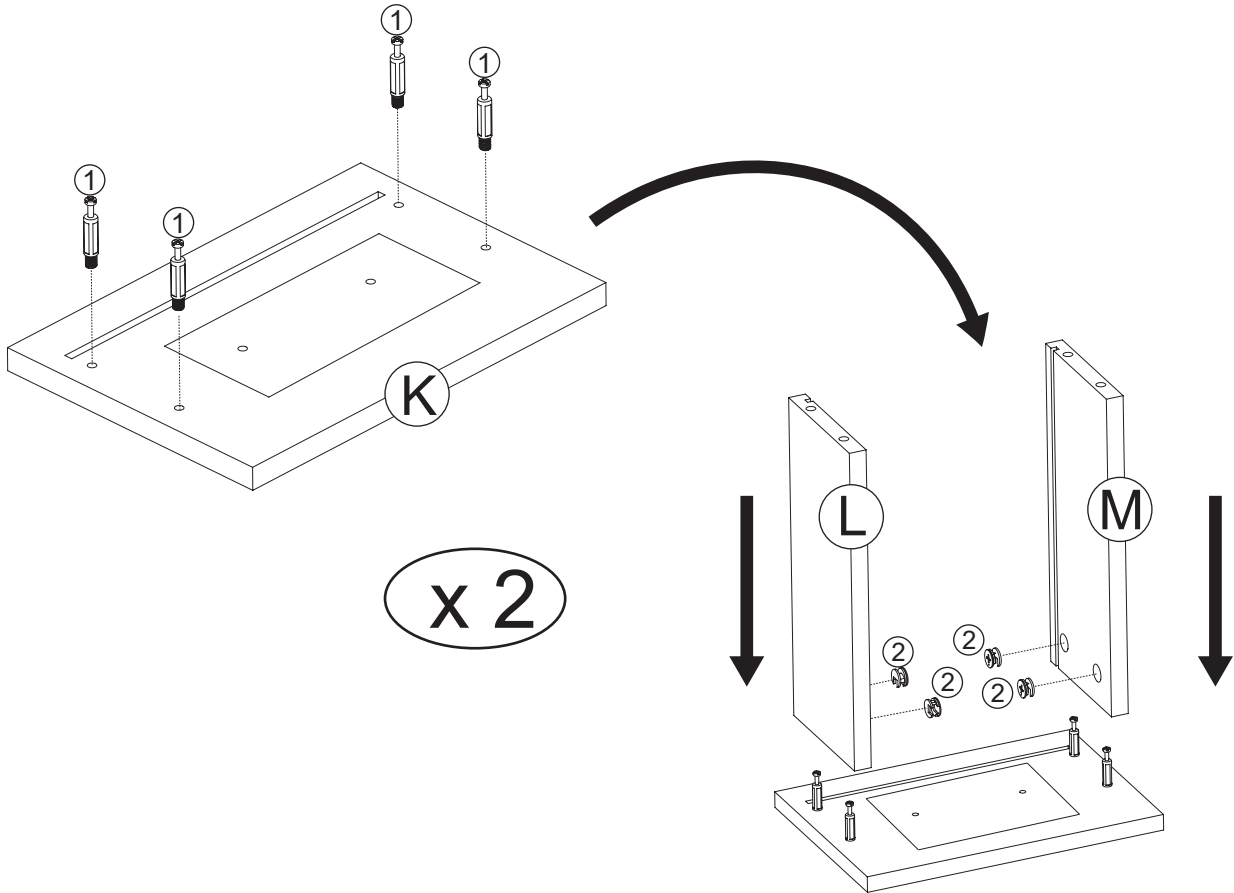
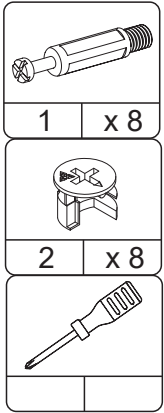


Turn clockwise about 180° to lock the plate.

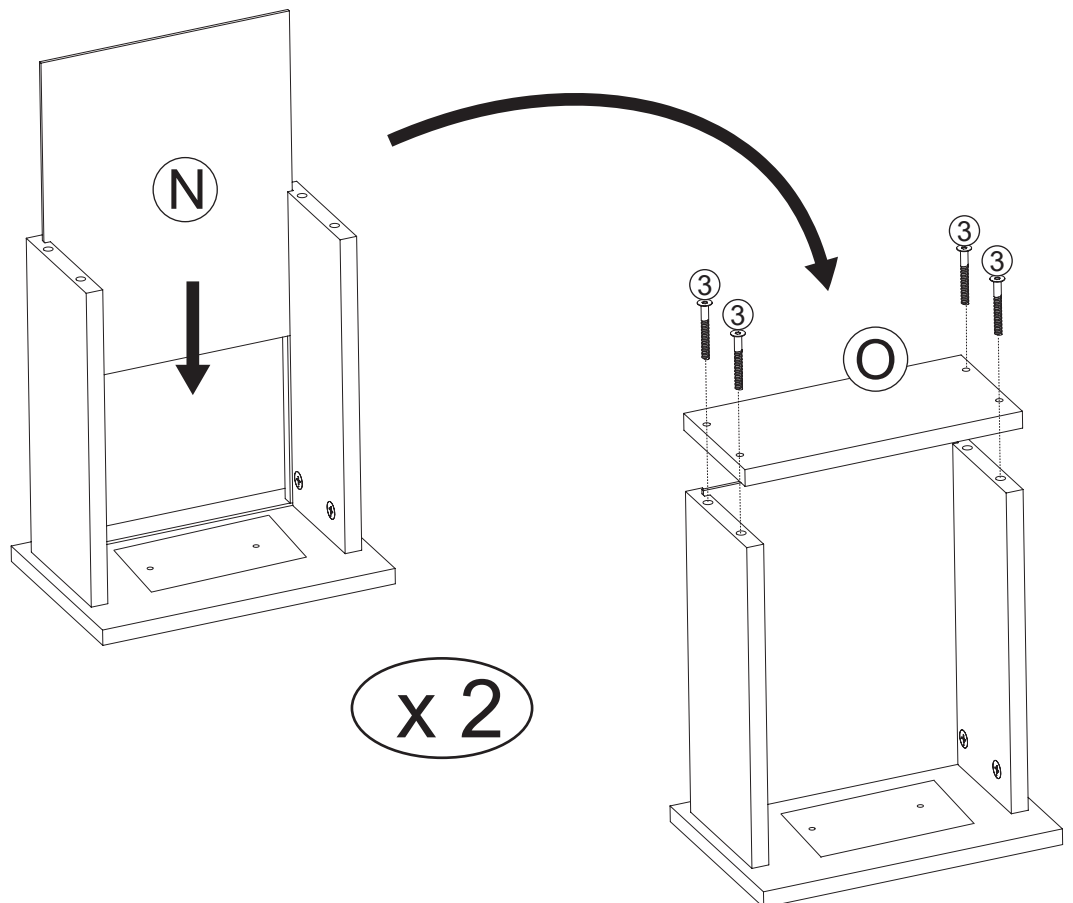
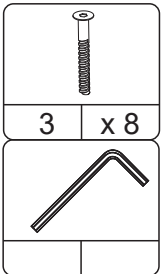


INSTALLATIONSTEPS

STEP 1:

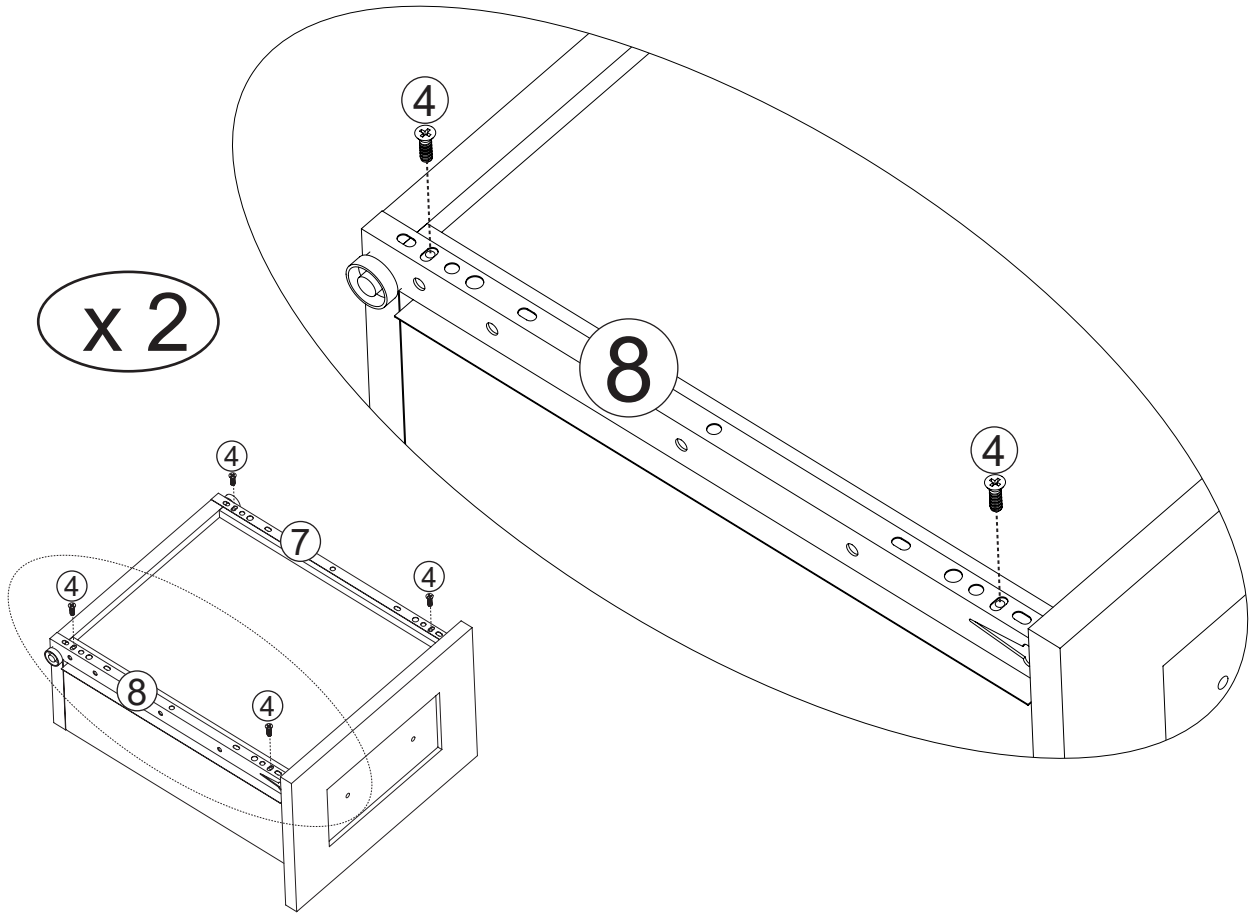
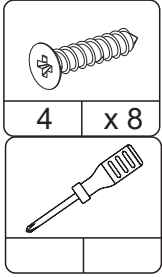


STEP 2:

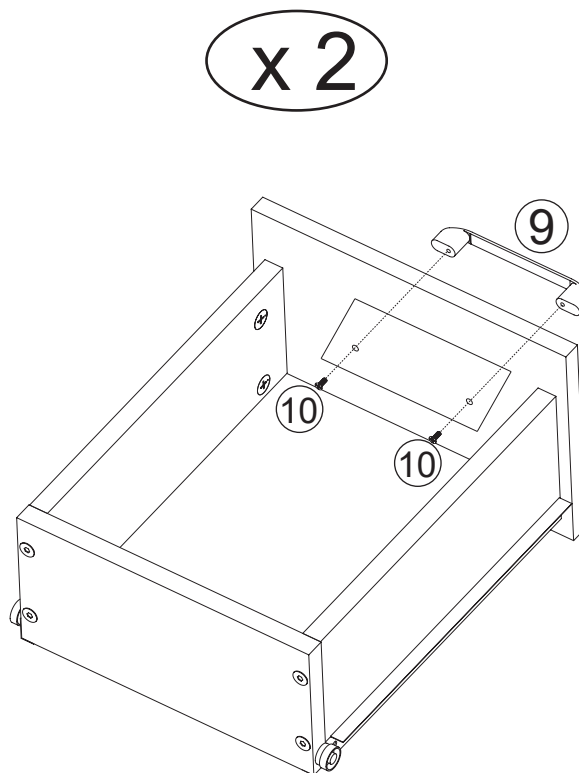
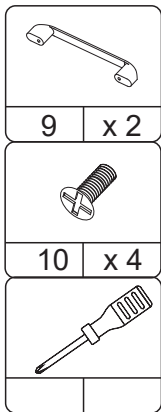


INSTALLATIONSTEPS

STEP3:

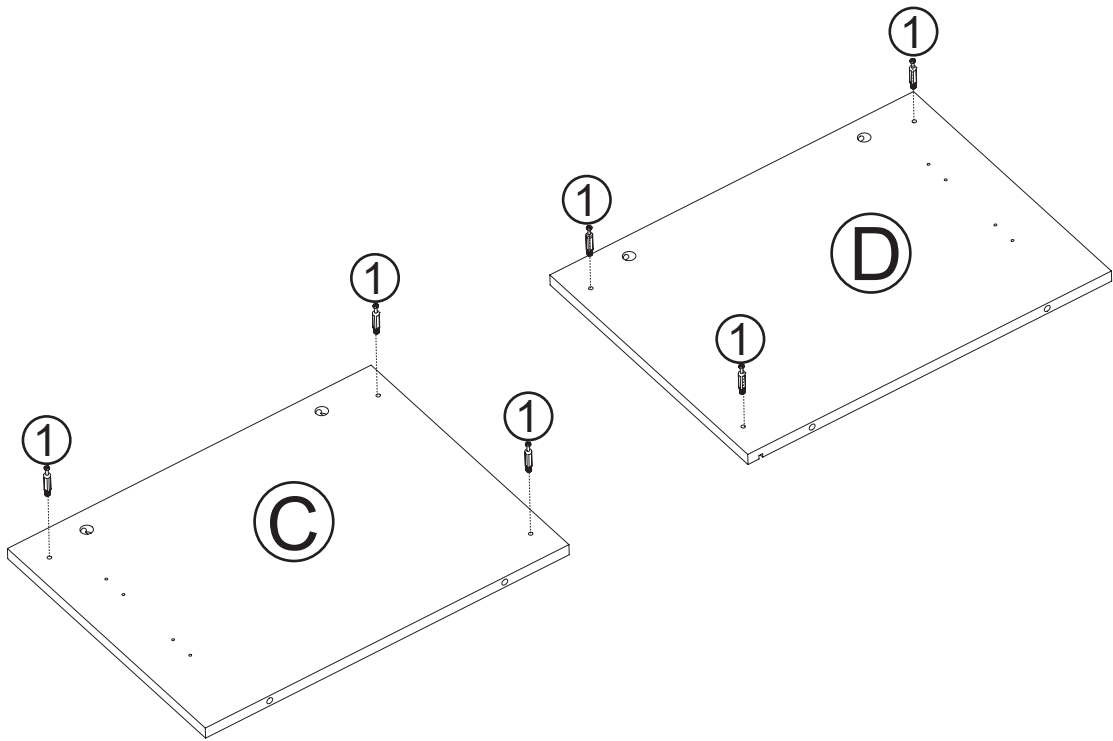
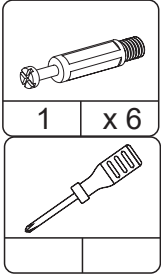


STEP4:

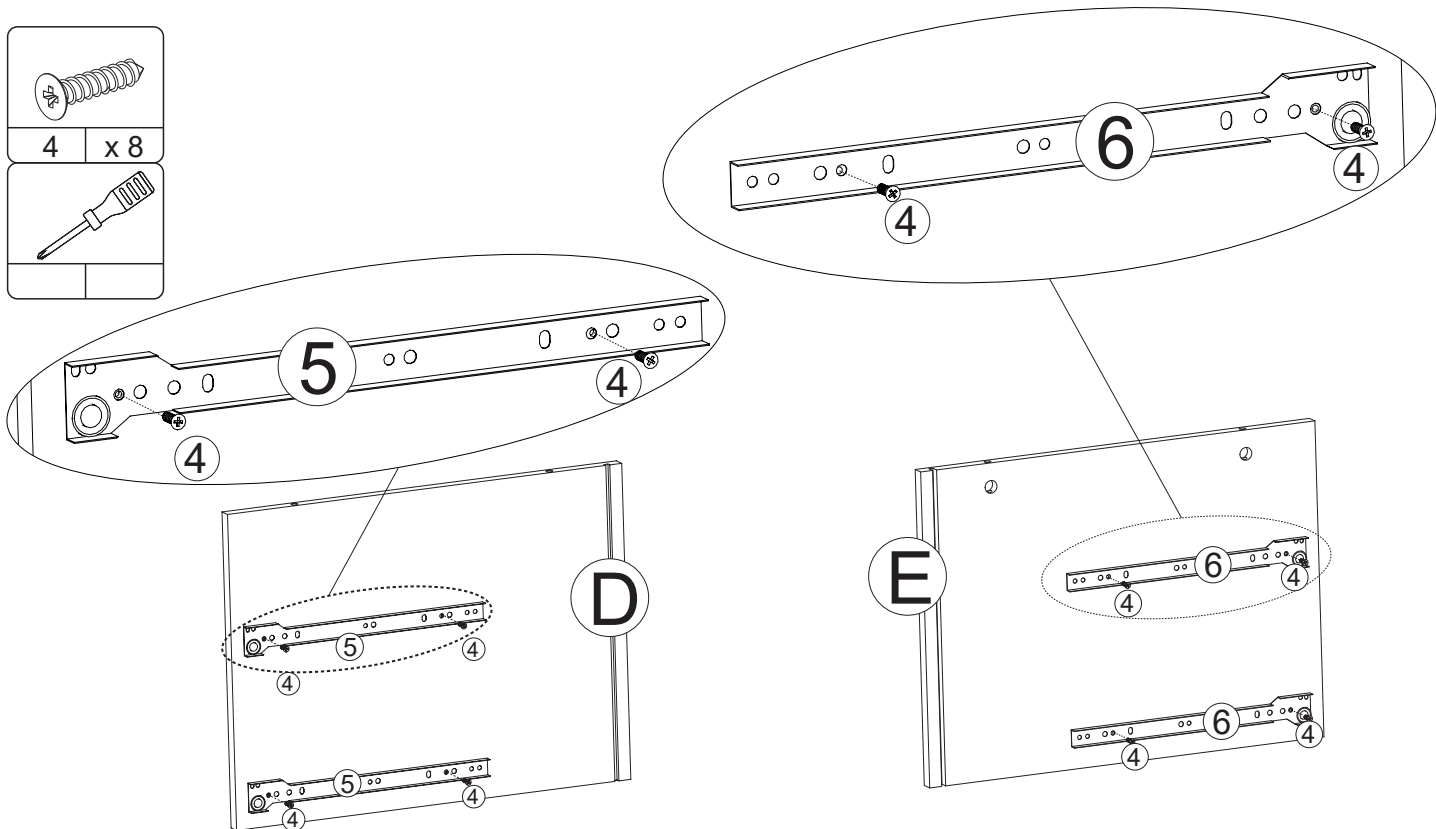
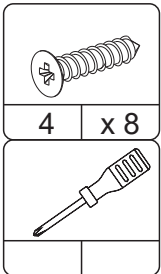


INSTALLATIONSTEPS

STEP5:

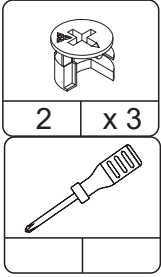


STEP6:

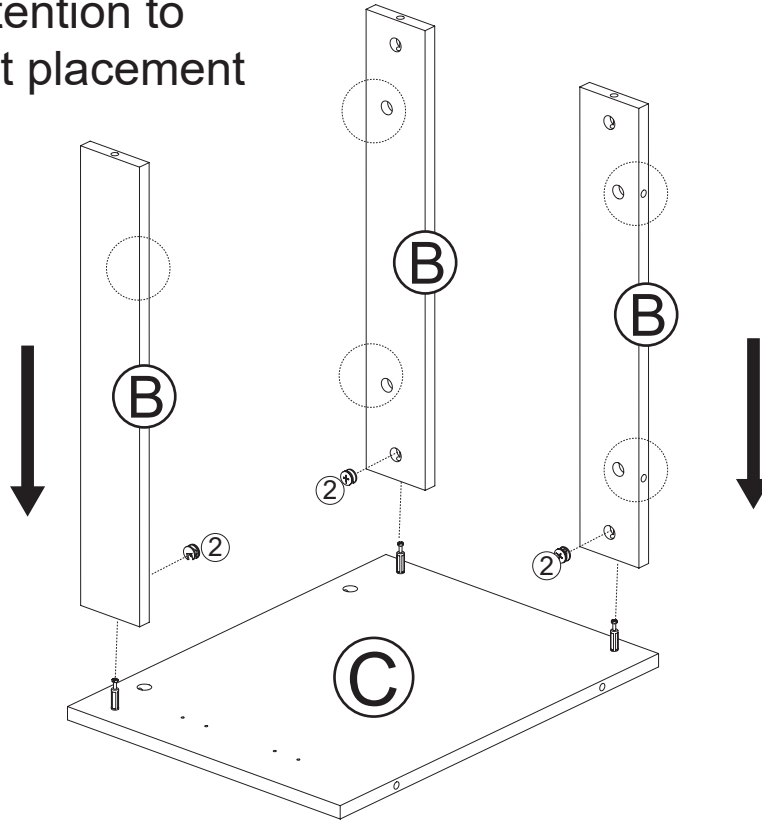


INSTALLATION STEPS

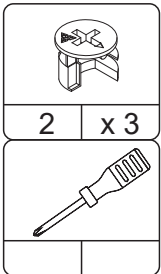
STEP 7:



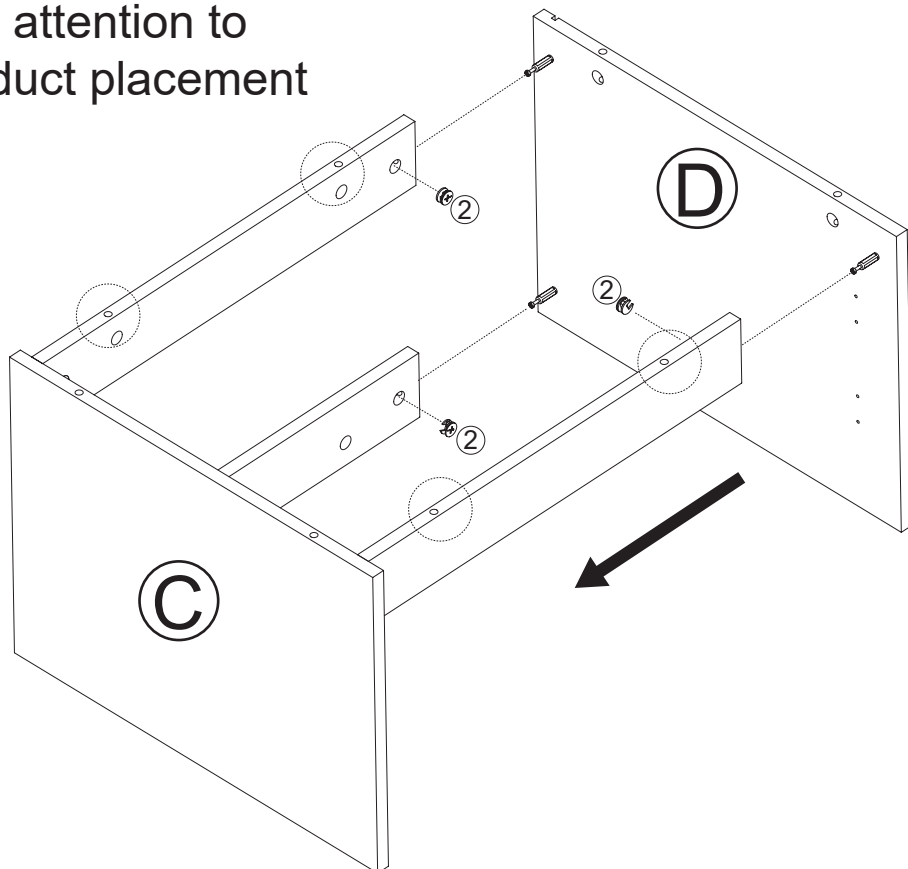
Pay attention to product placement



STEP 8:

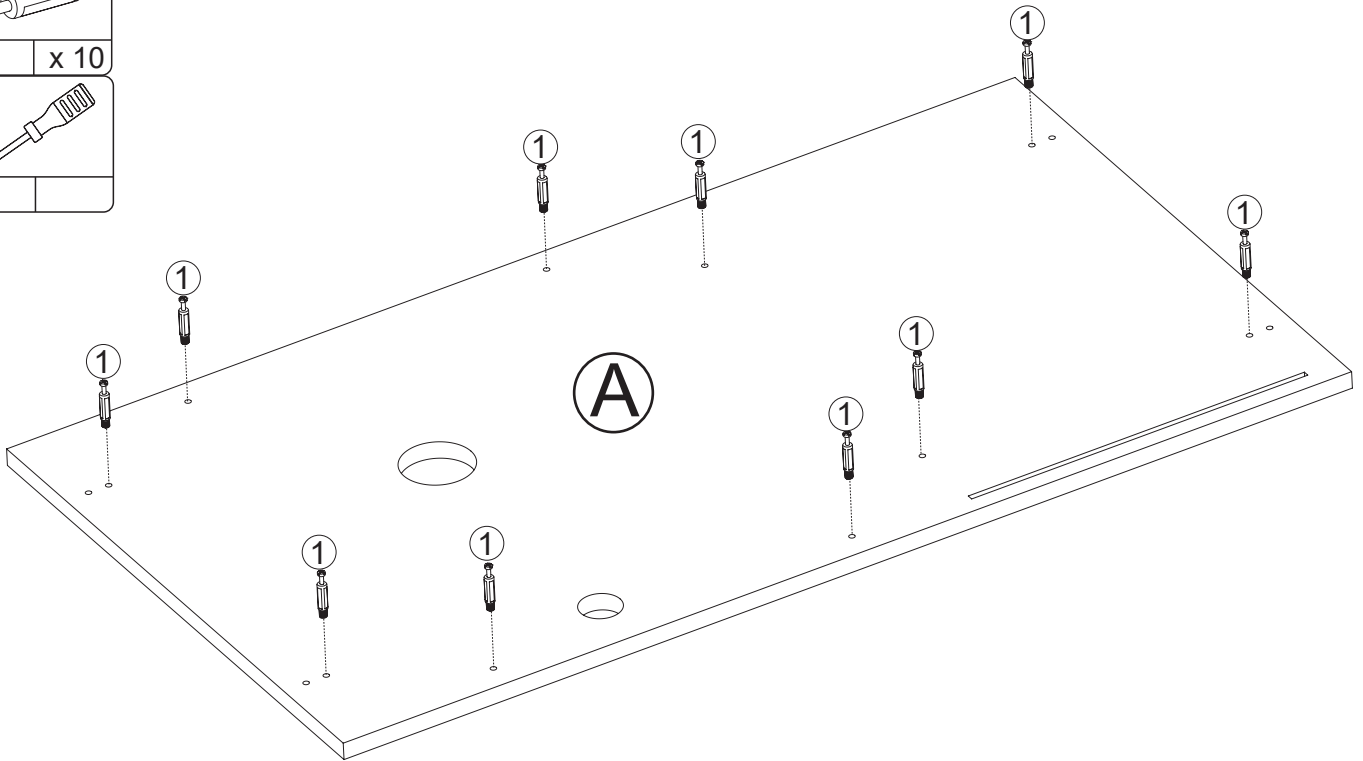
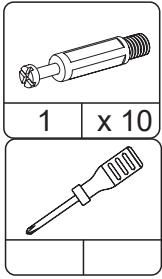


Pay attention to product placement

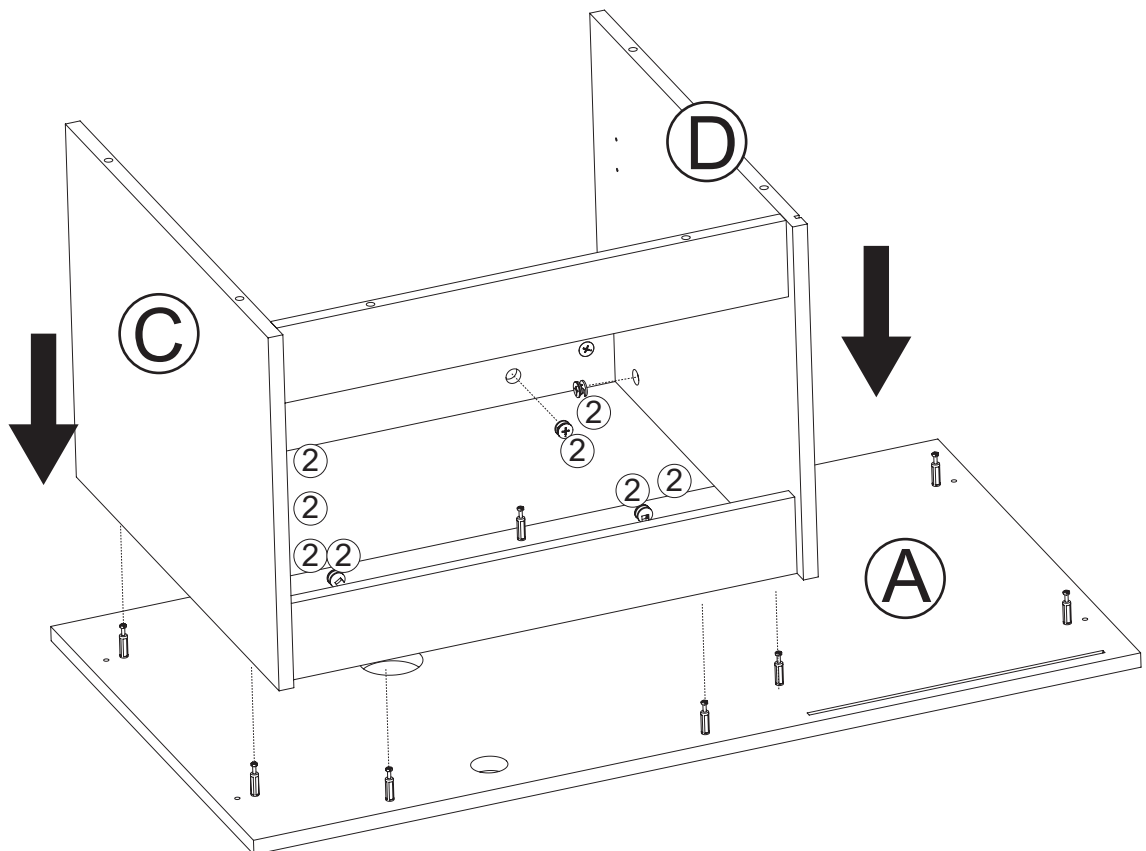
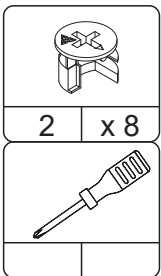


INSTALLATIONSTEPS

STEP9:

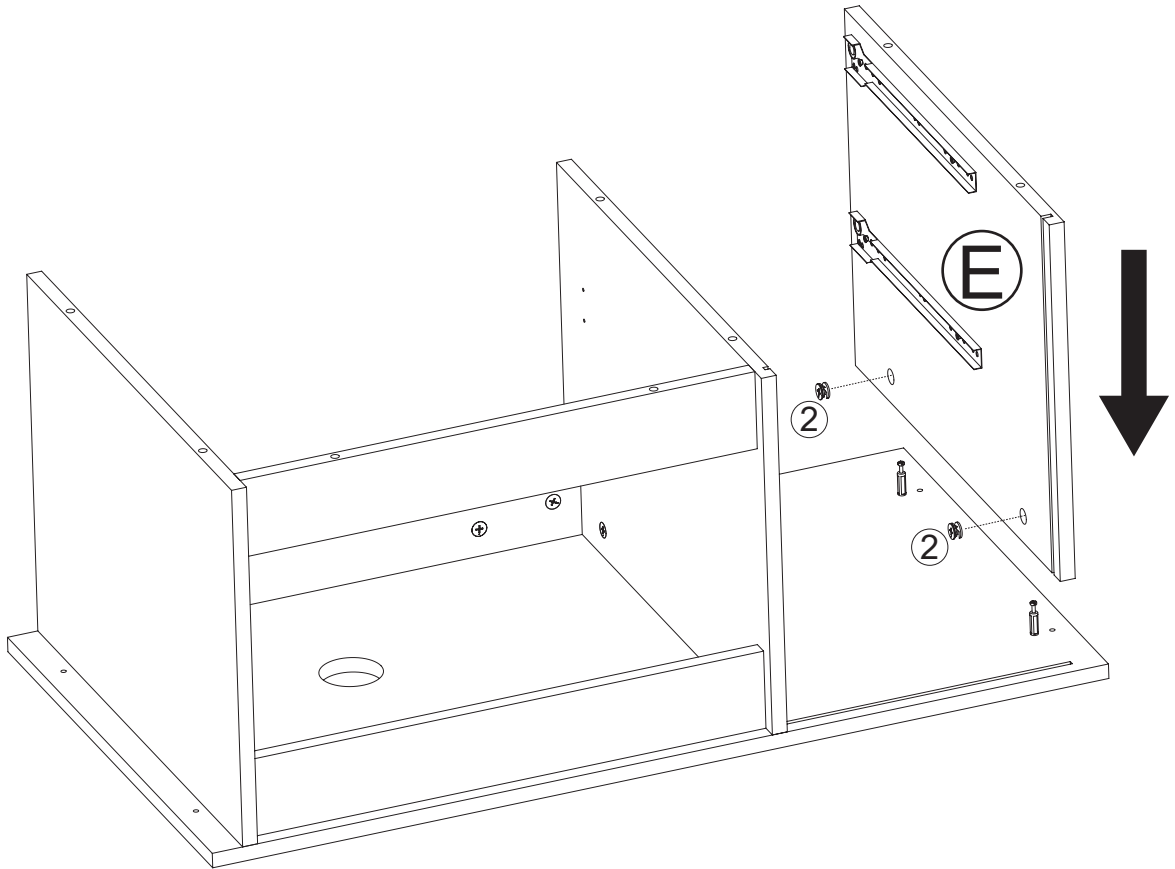
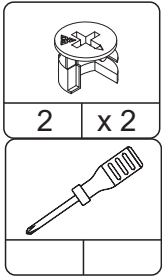


STEP10:

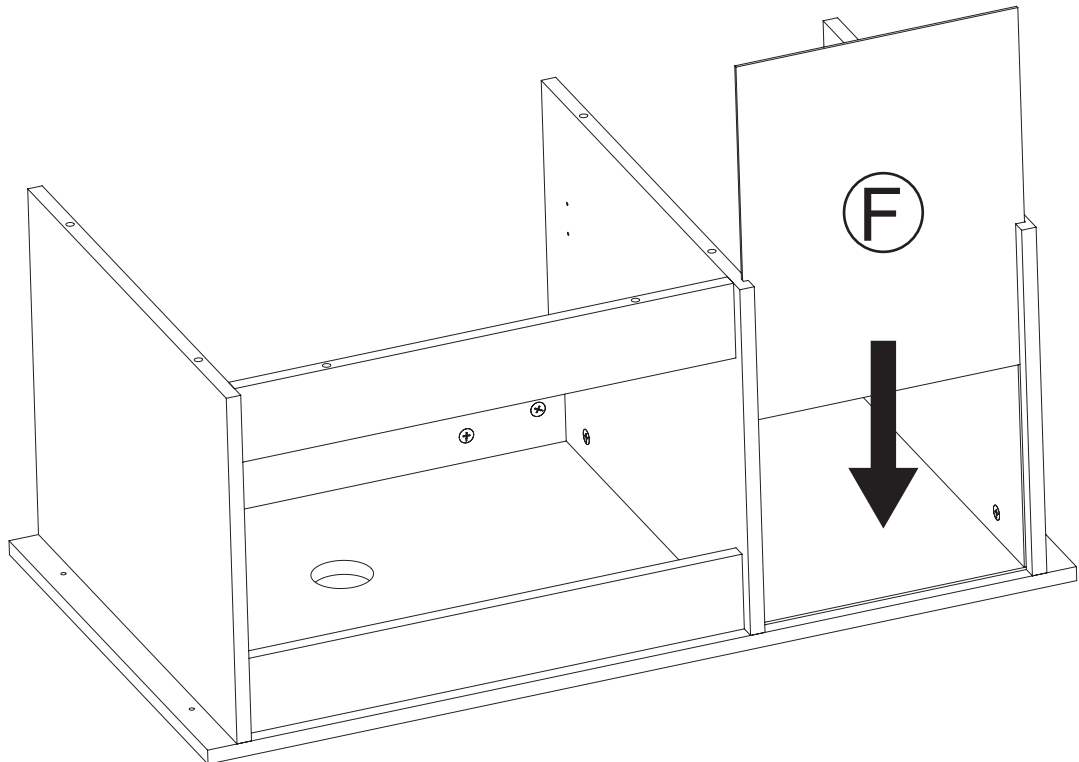


INSTALLATIONSTEPS

STEP11:

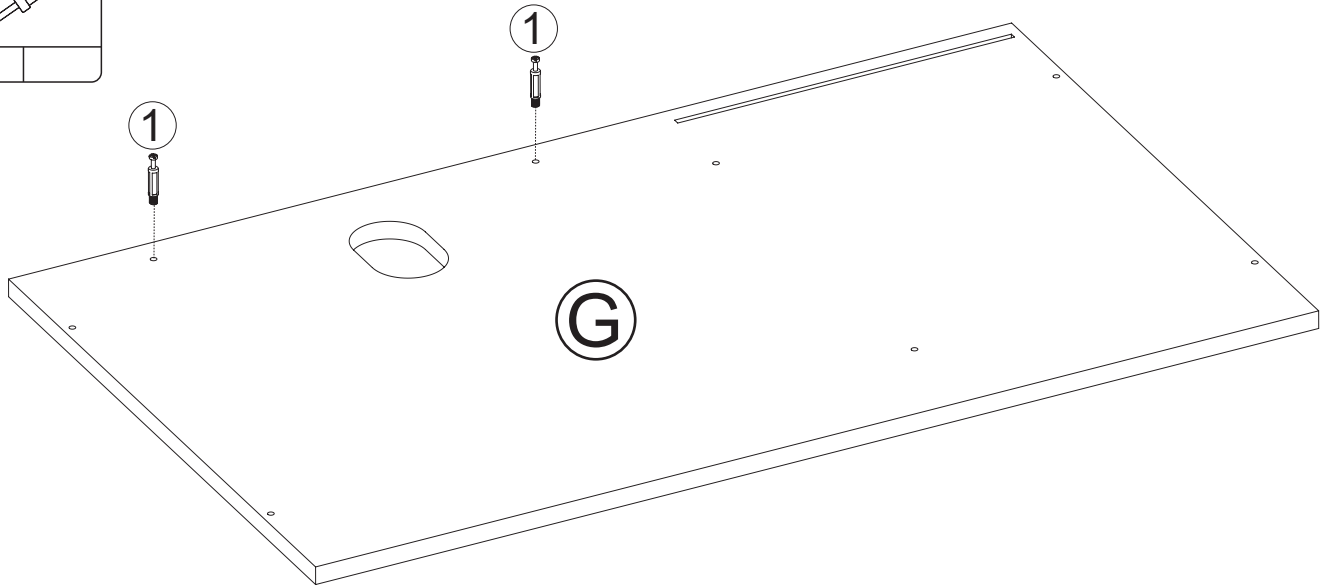
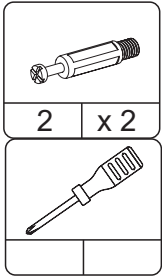


STEP12:

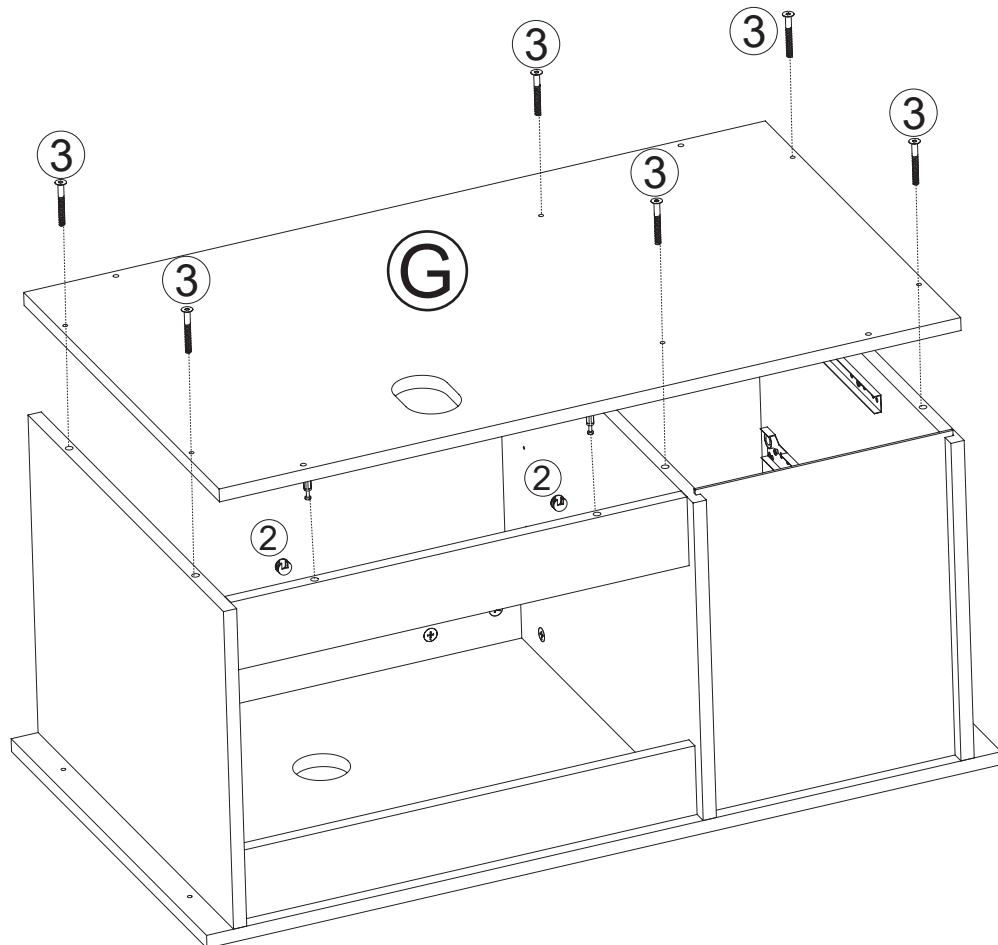
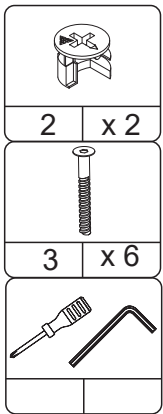


INSTALLATIONSTEPS

STEP13:

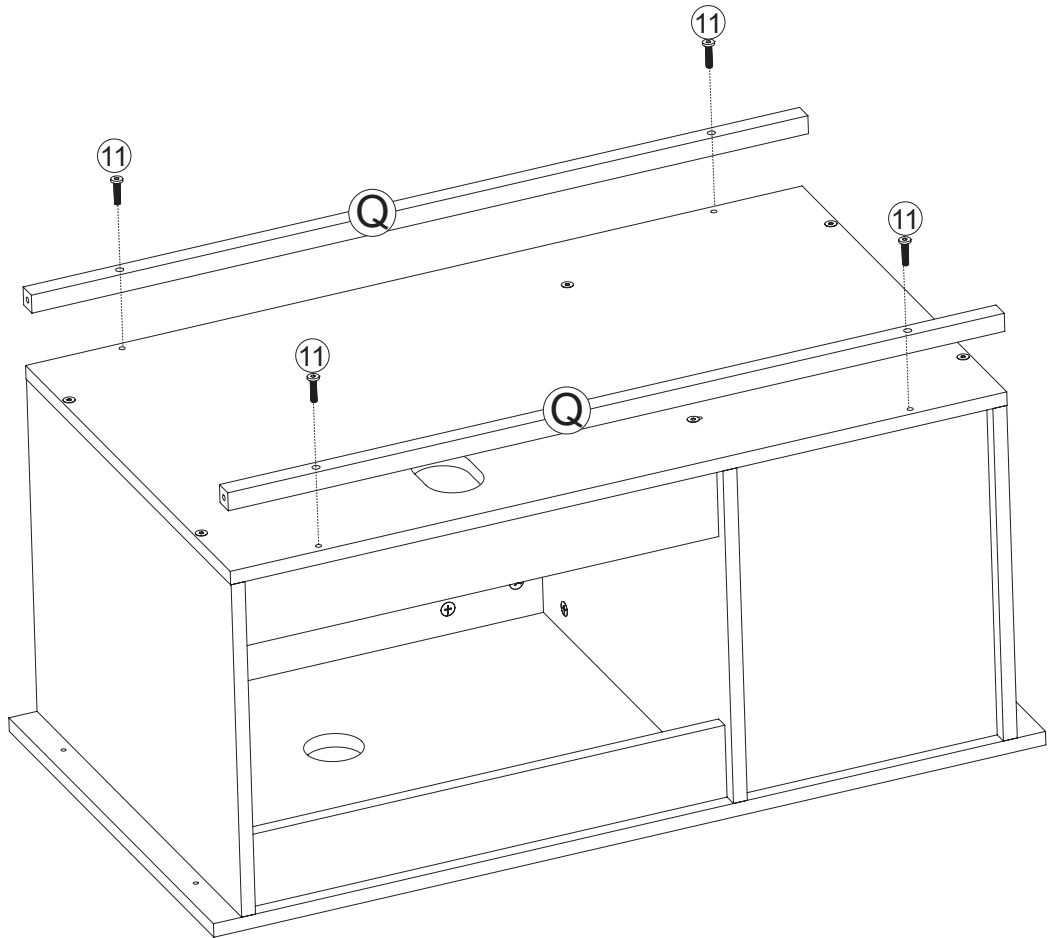
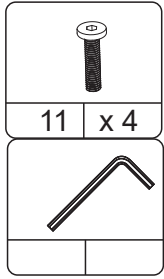


STEP14:

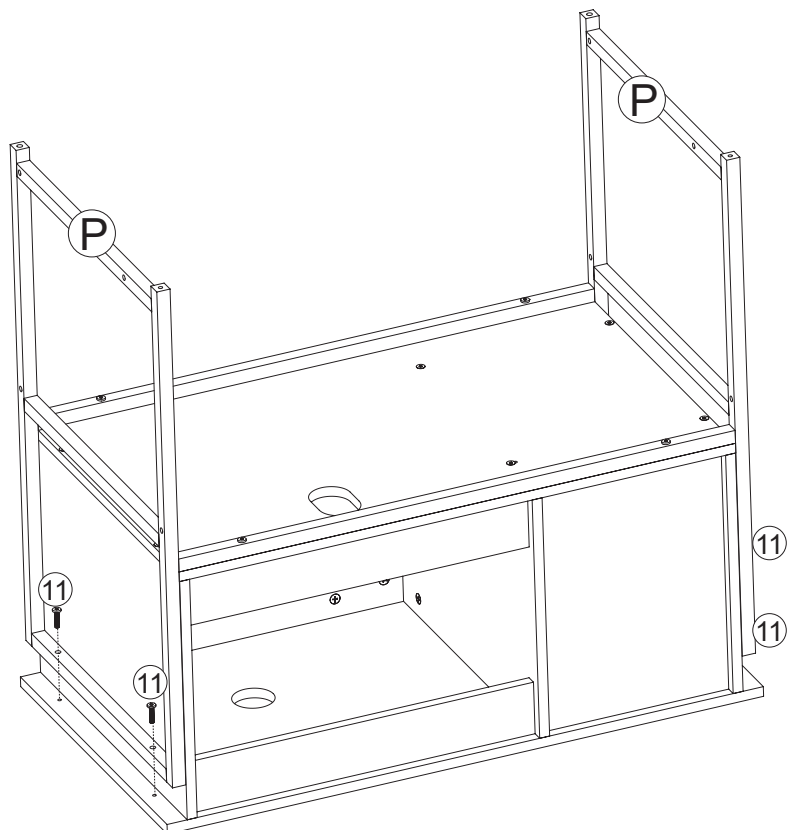
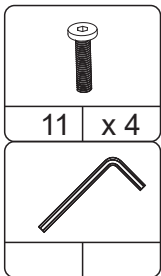


INSTALLATIONSTEPS

STEP 15:

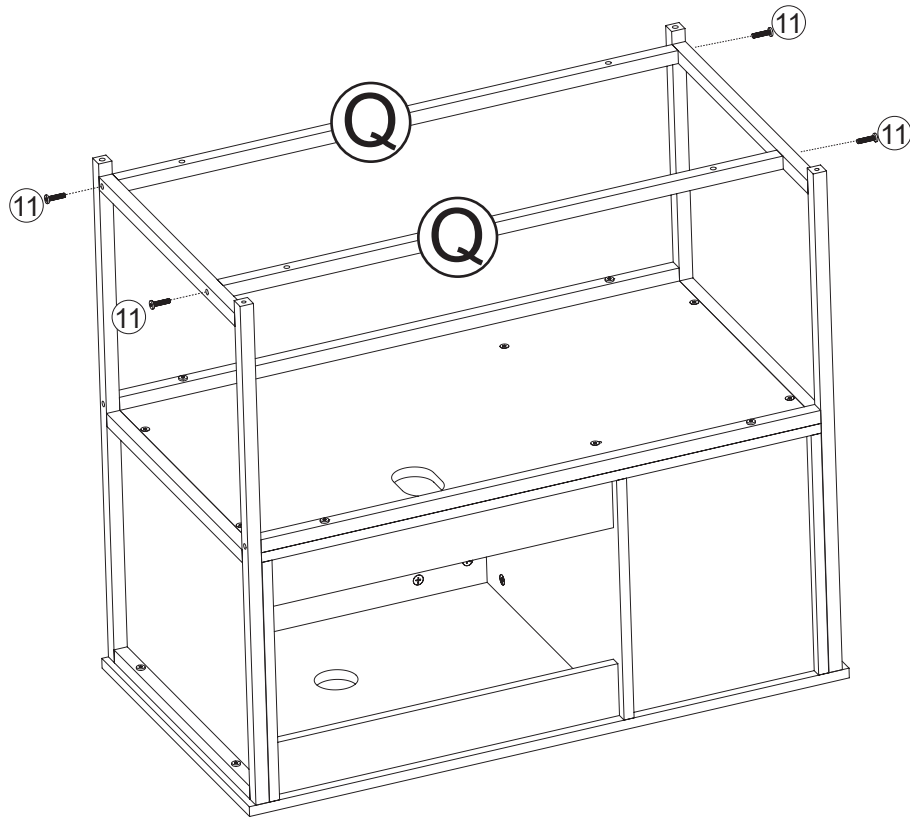
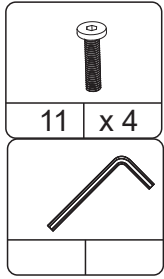


STEP 16:

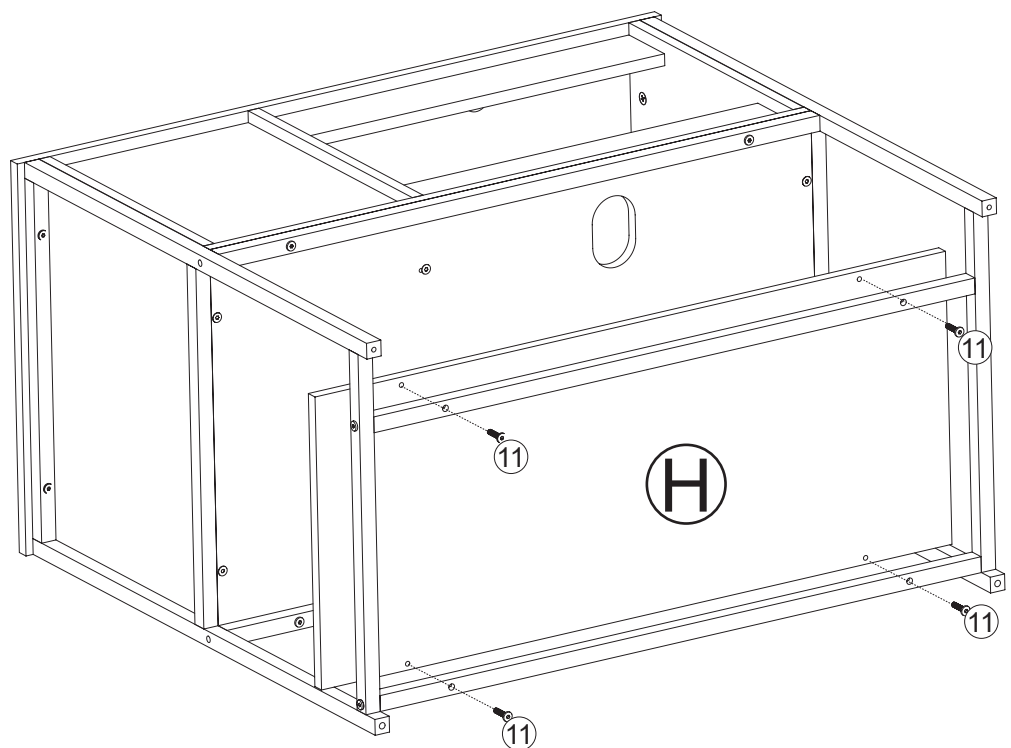
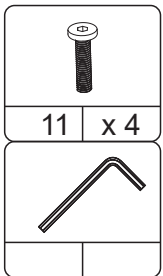


INSTALLATIONSTEPS

STEP 17:

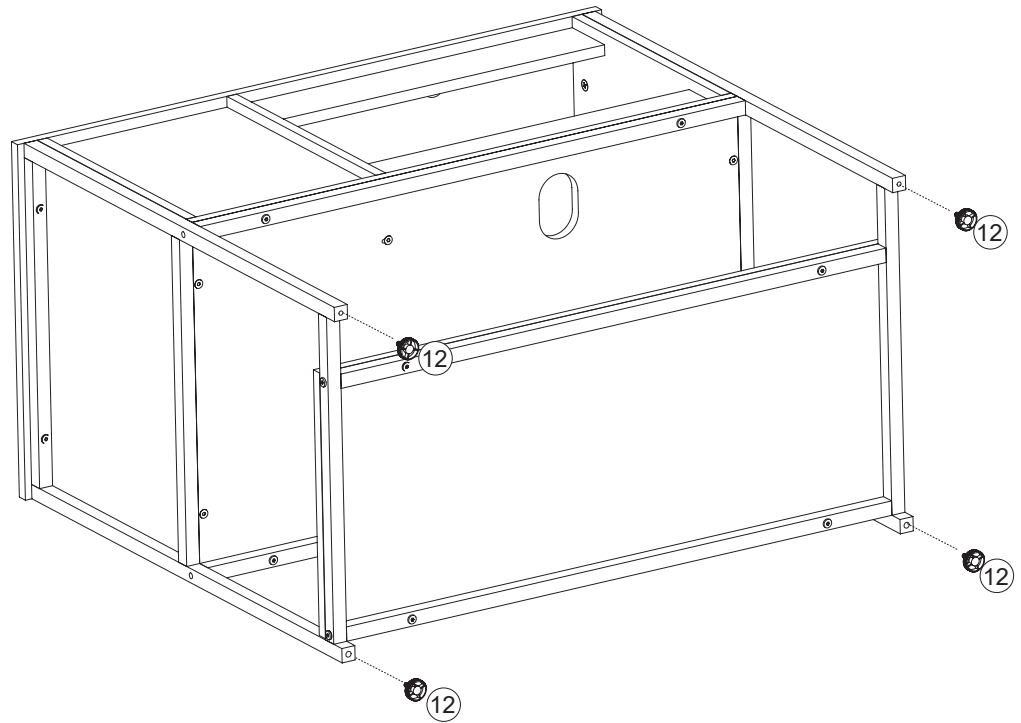
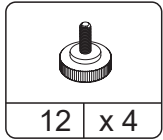


STEP 18:

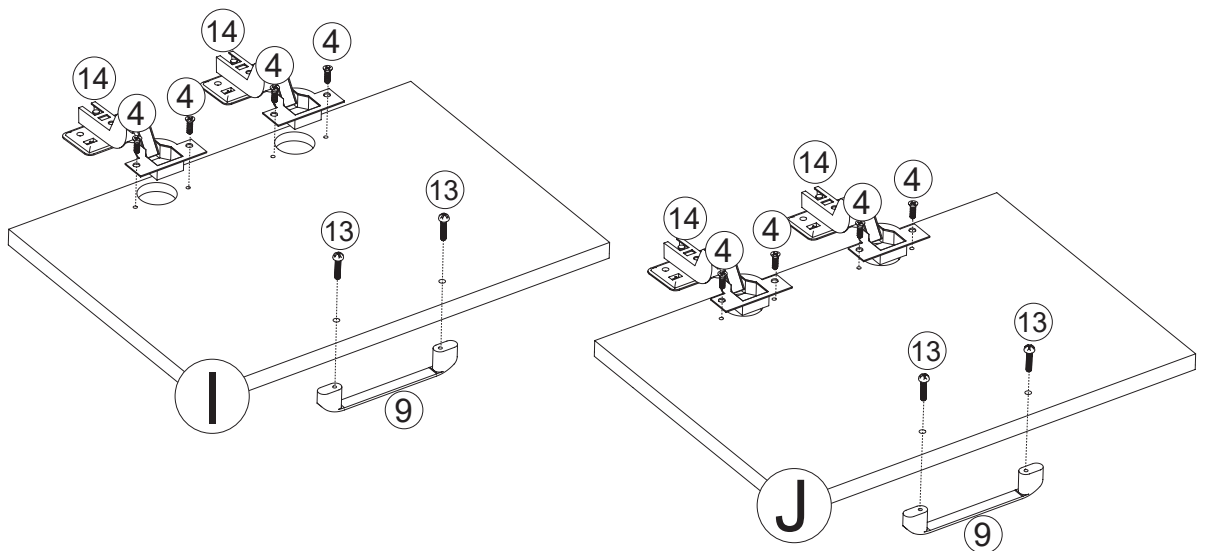
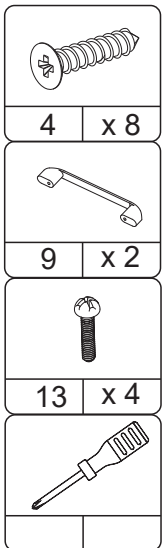


INSTALLATIONSTEPS

STEP 19:

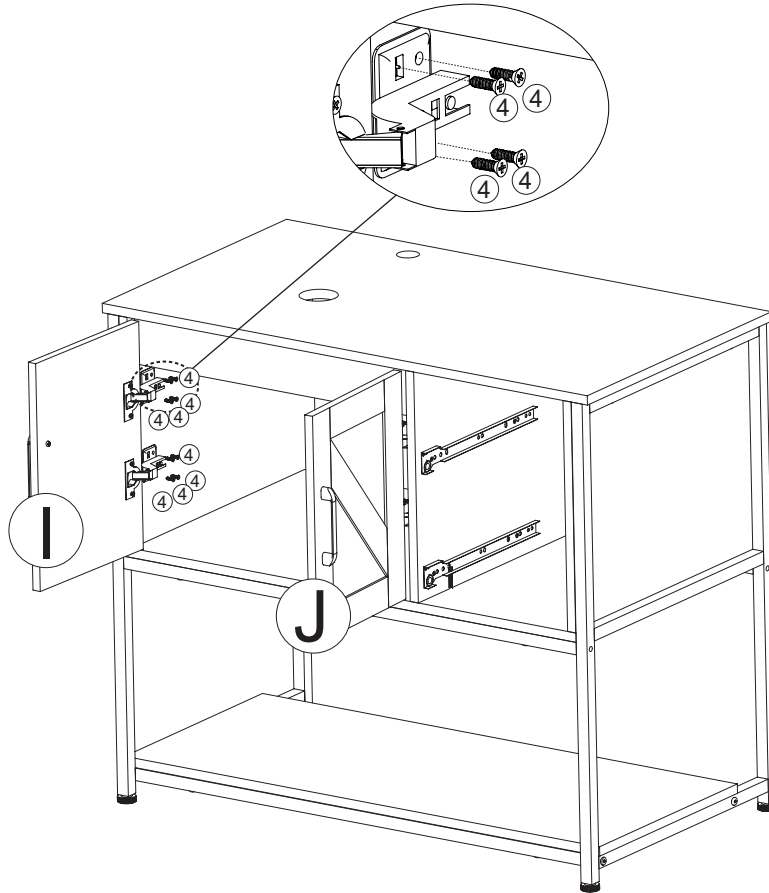
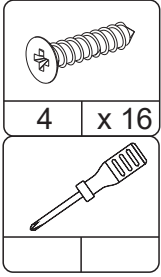


STEP 20:



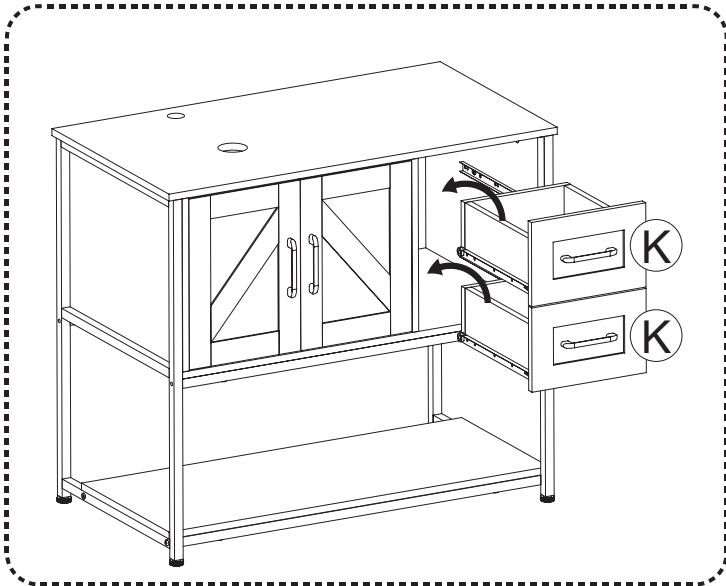
INSTALLATIONSTEPS

STEP21:

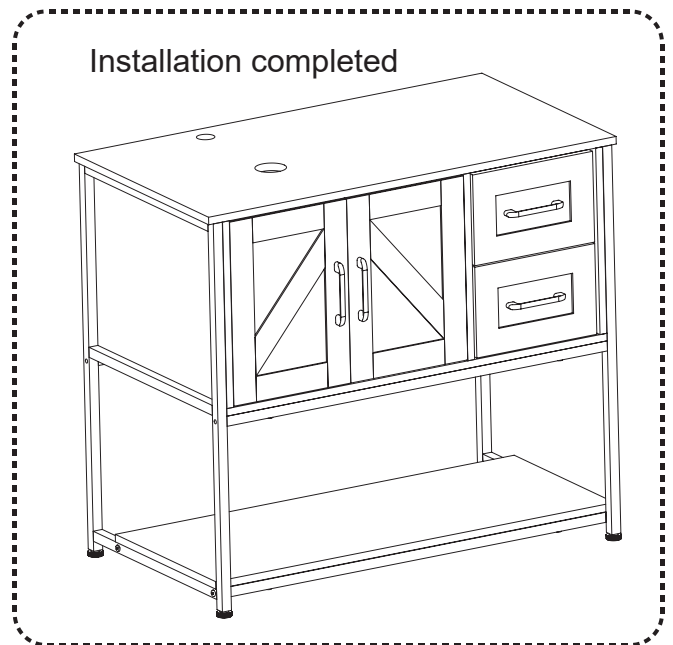


STEP22:

(1)



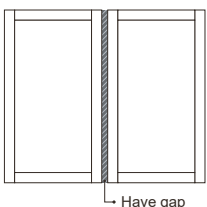
(2)



The ways to adjust the door:

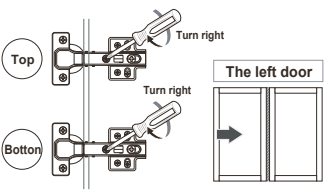
1. Before adjusting the hinge, please check whether the cabinet is skewed.
2. If the skew can not be repaired, adjust the cabinet to vertical position.
3. Please adjust the hinge with the door open.

Obvious gaps between doors or Doors don't look closed



Have gap

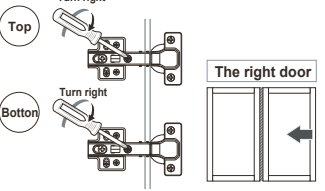
1 Turn "internal & external screw" to the right can make the door approach inside. Please adjust the doors little by little.



Top Turn right

Bottom Turn right

The left door



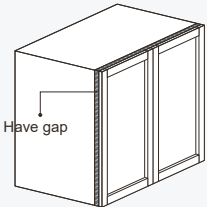
Top Turn right

Bottom Turn right

The right door

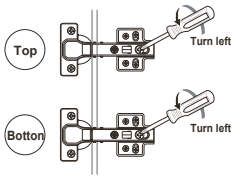
* If the 2 doors are overlap, please turn the "internal & external screw" to the left.

When door is crooked



Have gap

1 Rotate the "front and rear screws" to the left.

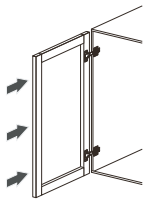


Top Turn left

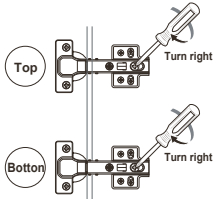
Bottom Turn left

"After adjusting the "front and rear screw", the door still does not change, please turn the "internal & external screw" to the right Slightly.

2 Push the door to the cabinet.



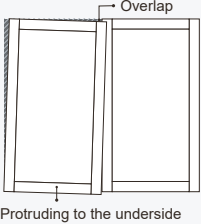
3 Rotate the "front and rear screws" to the right.



Top Turn right

Bottom Turn right

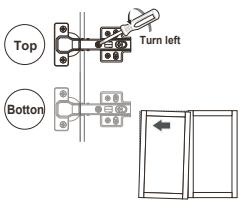
When door is leaning



Overlap

Protruding to the underside

Turn "internal & external screw" to the left can make the top of the door tilted outward.



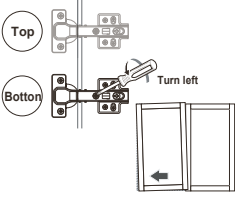
Top Turn left

Bottom Turn left

Protruding to the upside

Overlap

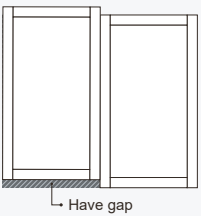
Rotate the "front and rear screws" to the right.



Top Turn right

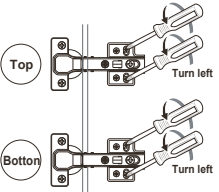
Bottom Turn left

When the door is higher on top



Have gap

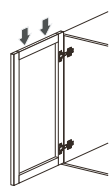
1 Turn "up & down screw" to the left.



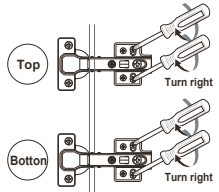
Top Turn left

Bottom Turn left

2 Lower the door's height so that 2 doors are of the same height.



3 Turn "up & down screw" to the right.



Top Turn right

Bottom Turn right

*If the door is lower on bottom, please lift up the left door slightly on step 2.