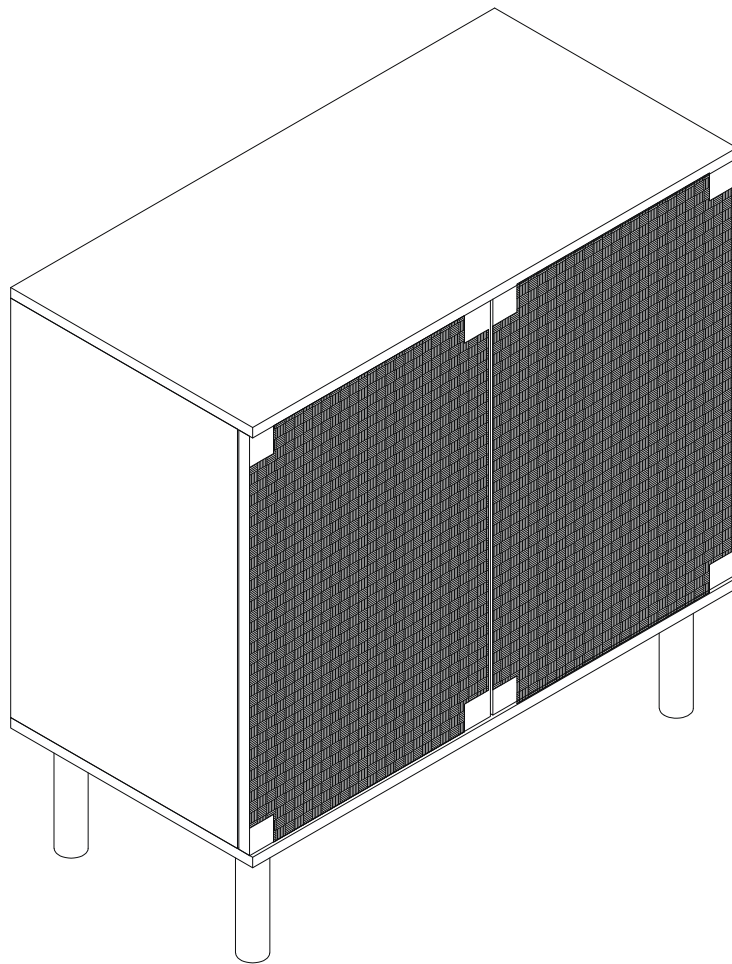


2-Door Cabinet



ASSEMBLY INSTRUCTIONS



60 min. assembly

2 person

*The estimated assembly time may vary depending on the individual.

Hey, there

Now is assembly time!

Deeeeeeep breathe.... and again....
Tools ready,
Easy peasy!

Estimated



60 min. assembly
2 person

Tools Required

- Phillips screwdriver (not included)
- Power Drill (not included)

***important:** Cautious when you use power tools*

Thank you for purchasing this product.

This product has been manufactured with the highest standards of safety and quality.

PLEASE READ ALL INSTRUCTIONS CAREFULLY BEFORE ASSEMBLY.

Un pack all parts from the packaging inside the carton to ensure there are no missing or damaged parts. Lay out all the parts on a clean, flat, and soft surface to prevent scratches. Refer to the steps provided as assembling guide.

Do not attempt to assemble or use the product if any parts are missing or damaged.

REMINDERS

SAFE USAGE IS KEY

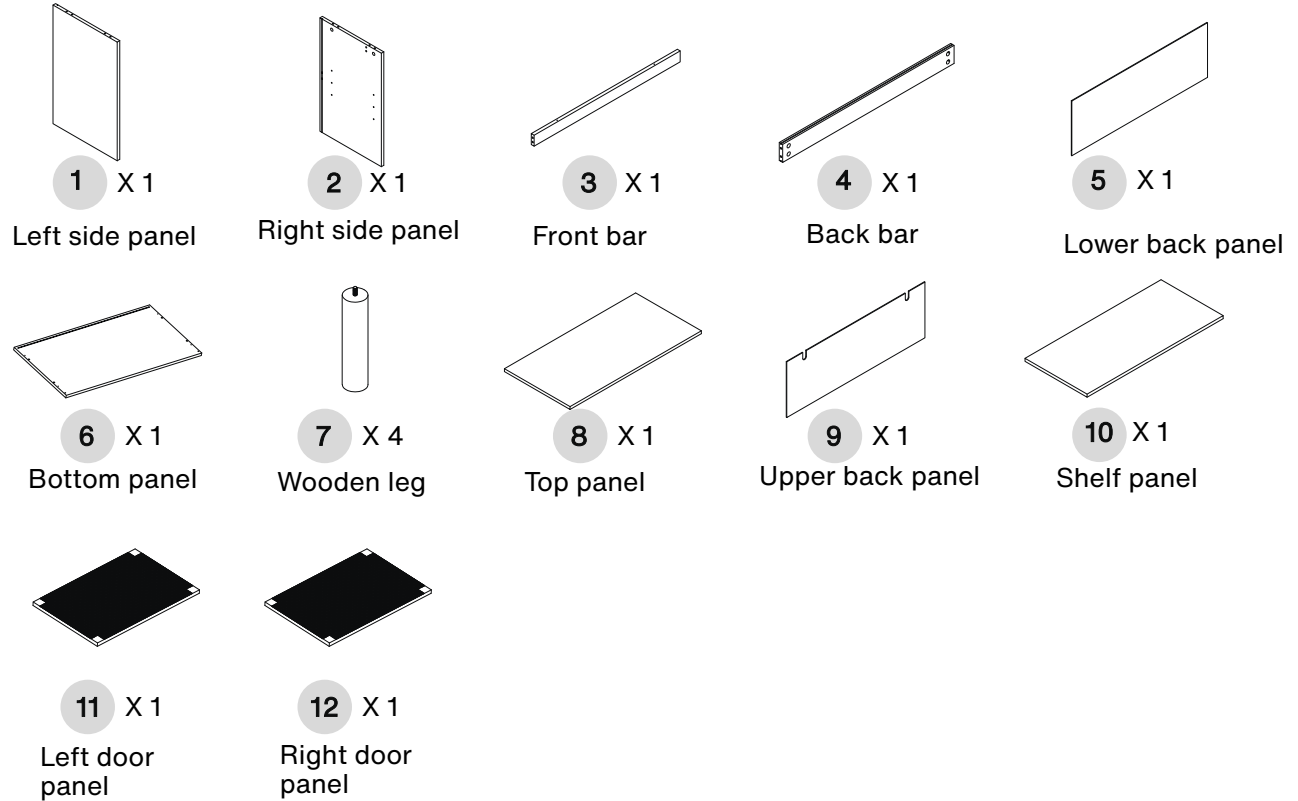
Your well-being is our top priority when you use our product. Please prioritize your safety by diligently following the assembly guidelines and inspecting the product carefully both when it arrives and before each use.

DO NOT MODIFY

Our products undergo rigorous testing to ensure they meet established safety standards before being released for sale. Altering the product in any way can lead to serious safety concerns, for which

What's in the box

Parts



What's in the box

Hardware & Accessory



A X 10+2

M6 x 36mm



B X 10+2

M15 x 9mm



C X 10+3

M5.8 x 30mm



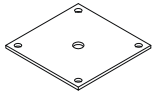
D X 6

M4 x 35mm

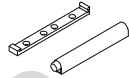


E X 18+2

M4 x 14mm



F X 4

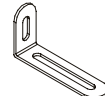


G X 2

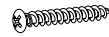


H X 4

M3 x 12mm



I X 2



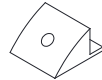
J X 2

M4 x 40mm



K X 8

M3 x 16mm



L X 8



M X 2



N X 4



O X 2



P X 4



Q X 10+2

M3.5 x 12mm

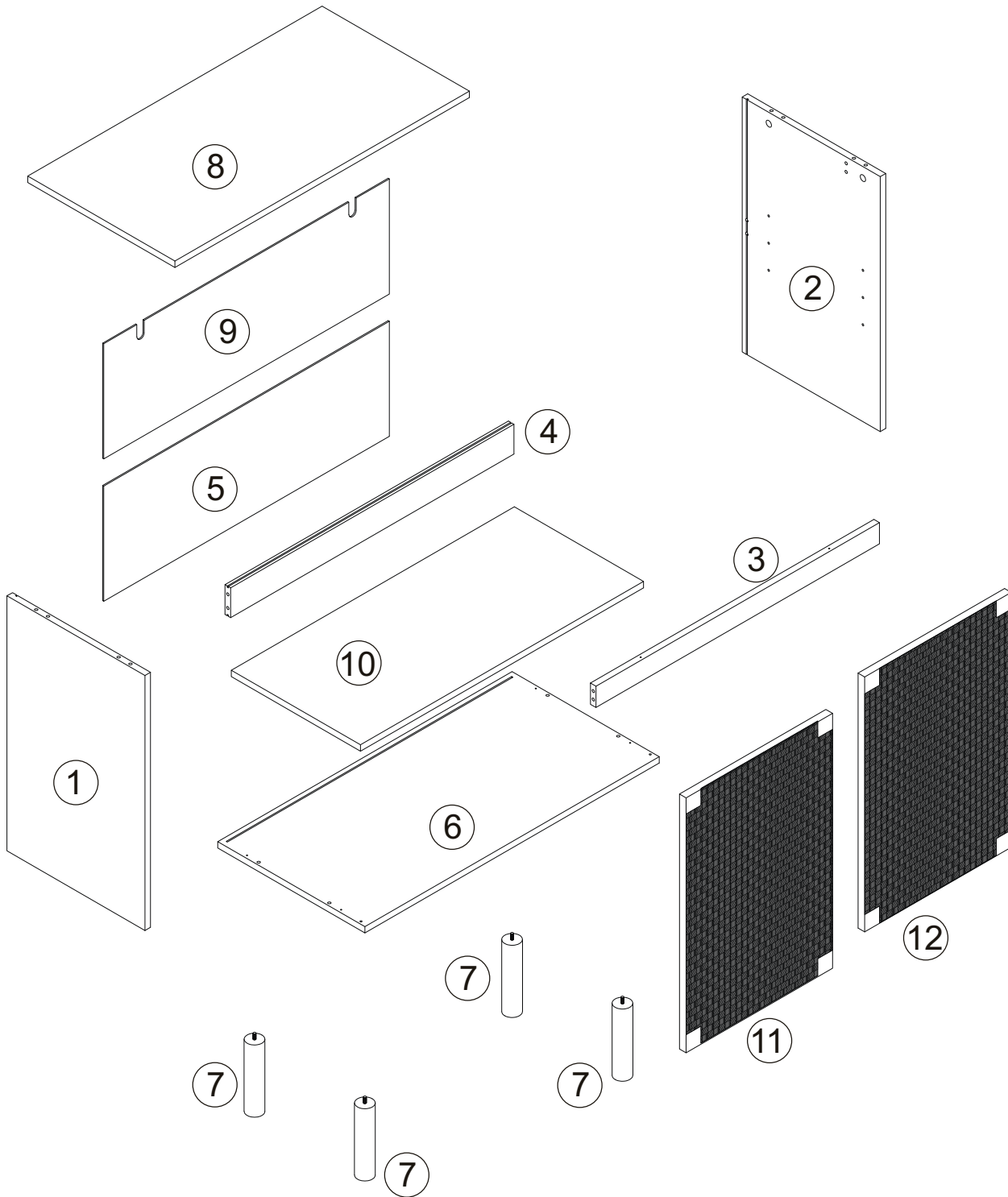


R X 2



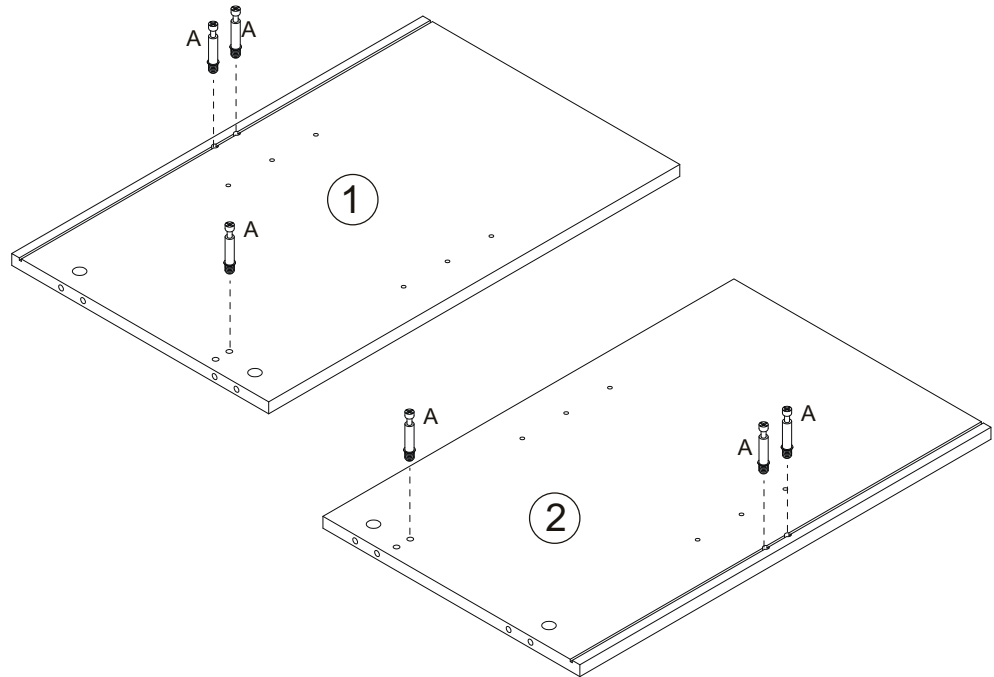
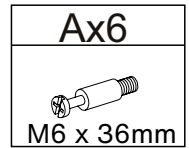
S X 4

Assembly



Step 1

Insert quickfit screws (A) into parts 1 and 2, as shown.

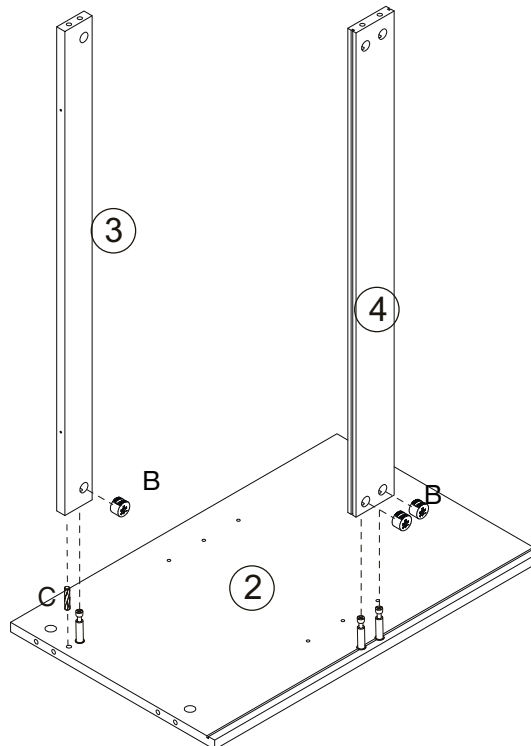
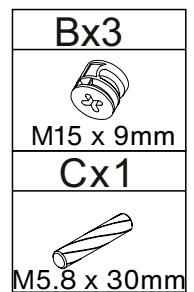


Step 2

Insert wooden dowel (C) into part 2, as shown.



Insert cam locks (B) into parts 3 and 4, as shown.

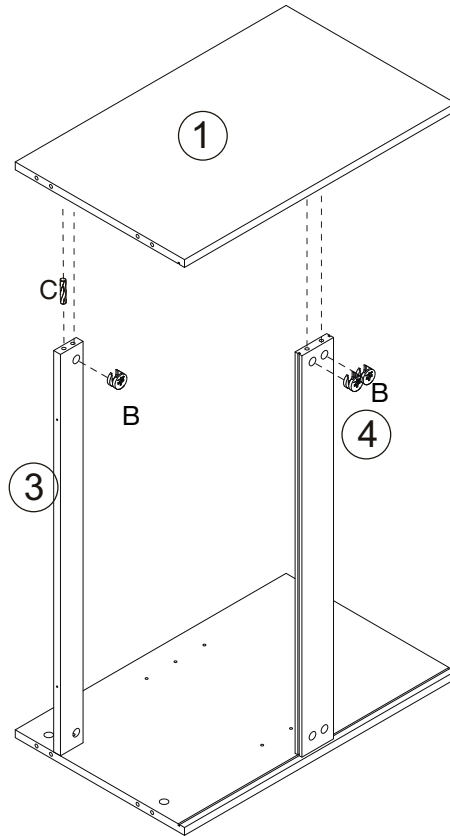
Fit parts 3 and 4 to part 2. Turn cam locks clockwise to tighten.



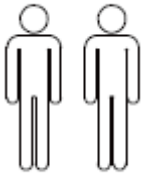
Step 3

Insert wooden dowel (C) into part 3, as shown.
Insert cam locks (B) into parts 3 and 4,
as shown.
Fit part 1 to parts 3 and 4.
Turn cam locks clockwise to tighten.

Bx3
 M15 x 9mm
Cx1
 M5.8 x 30mm

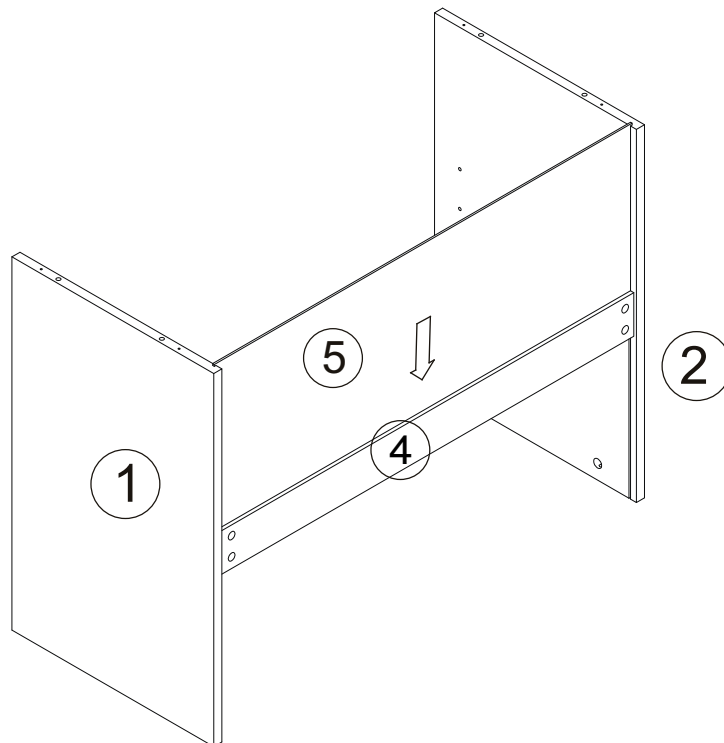


NOTE: THIS STEP TO BE ACCOMPLISHED BY TWO PERSONS



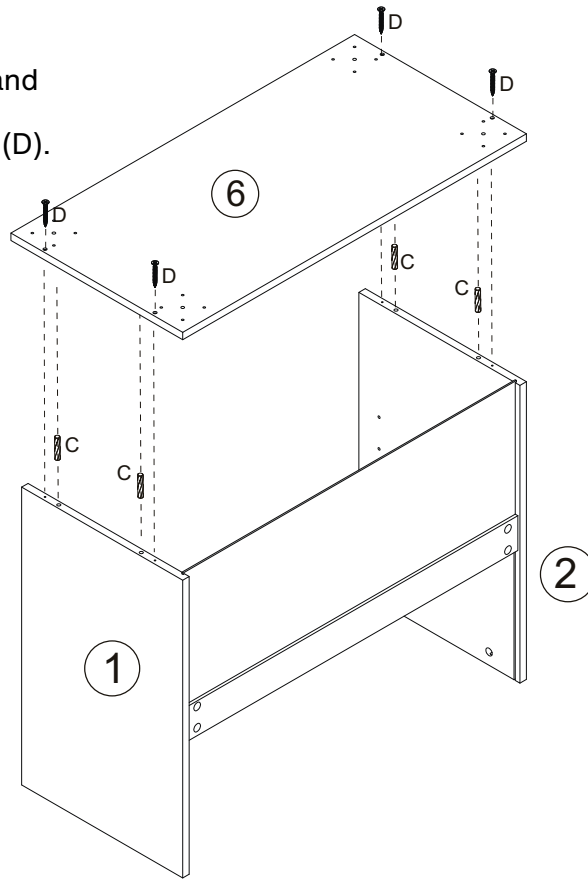
Step 4



Slide part 5 into grooves between parts 1, 2 and 4, as shown.



Step 5

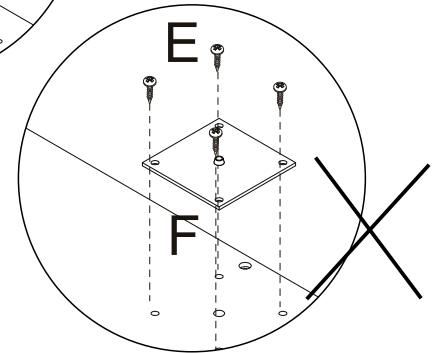
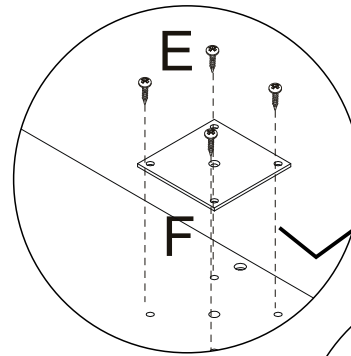
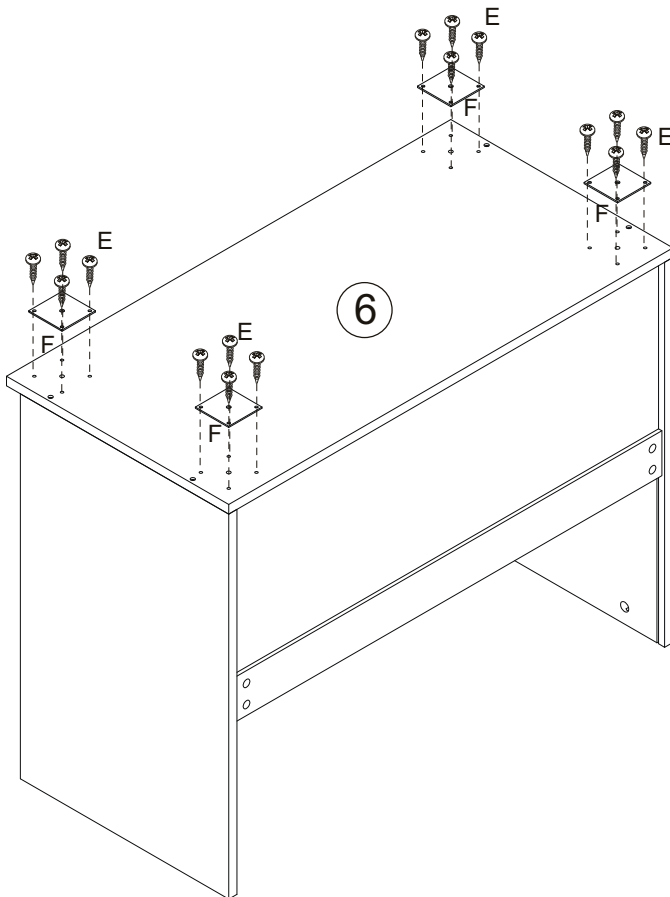
Insert wooden dowels (C) into parts 1 and 2, as shown.
Fix part 6 to parts 1 and 2 with screws (D).


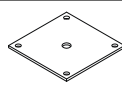


Dx4
 M4 x 35mm
Cx4
 M5.8 x 30mm

Step 6

Fix leg supporters (F) to part 6 with screws (E).

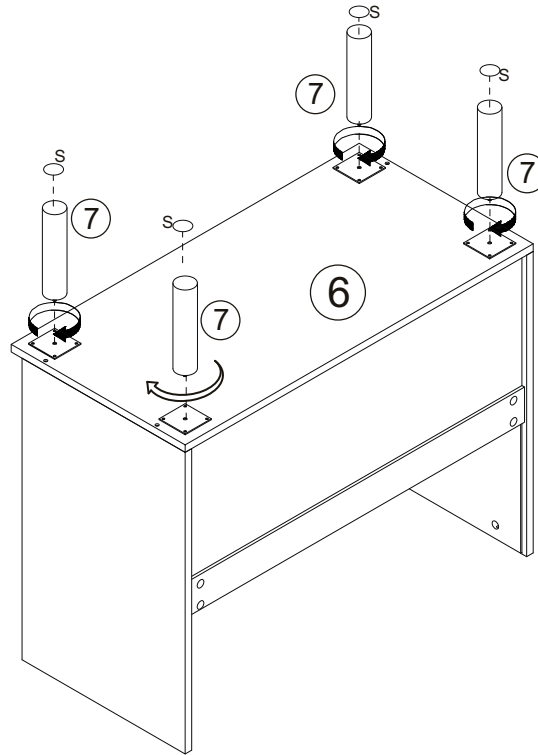


Ex16
 M4 x 14mm
F x4


Step 7

ScREW 7 as shown; Attach foot pads (S) to legs as shown.

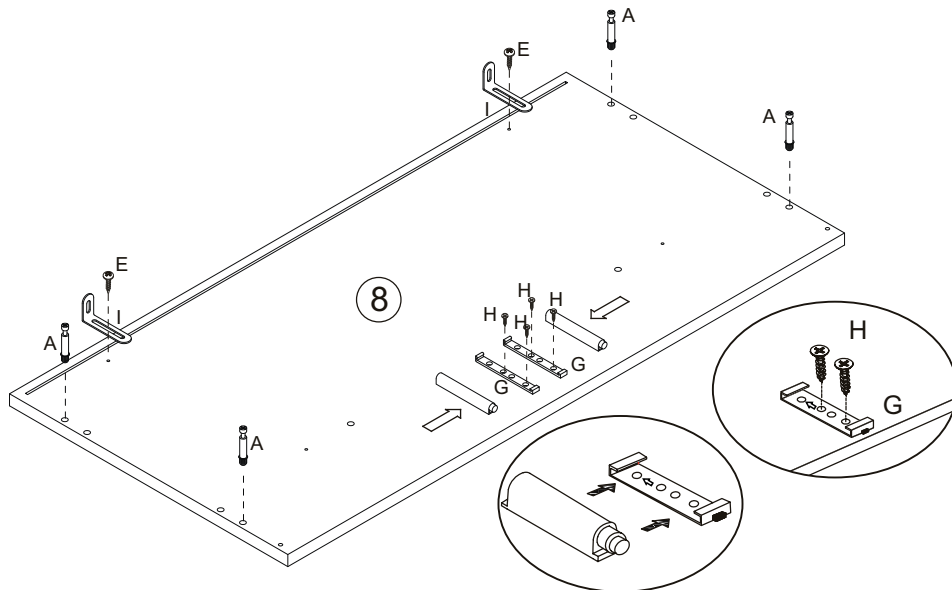
Sx4



Step 8

Insert quickfit screws (A) into part 8, as shown.

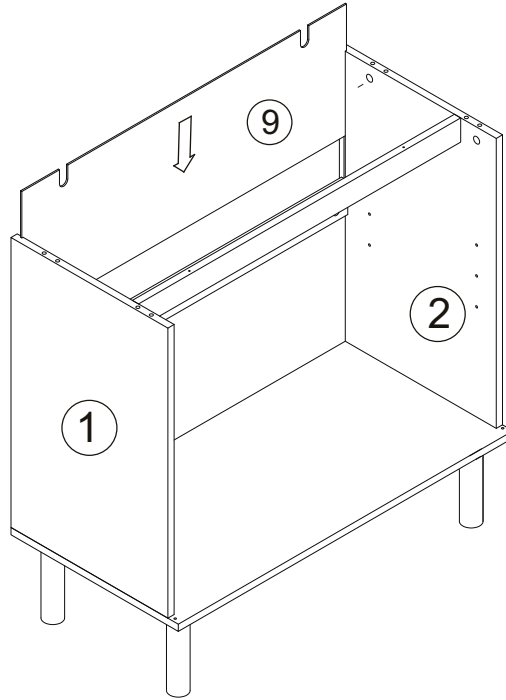
Fix part (I) and (G) to part 8 with screw (E) and (H).



Ax4
 M6 x 36mm
Gx2
Hx4
 M3 x 12mm
Ex2
 M4 x 14mm
I x2

Step 9

Slide part 9 into grooves between parts 1 and 2, as shown.



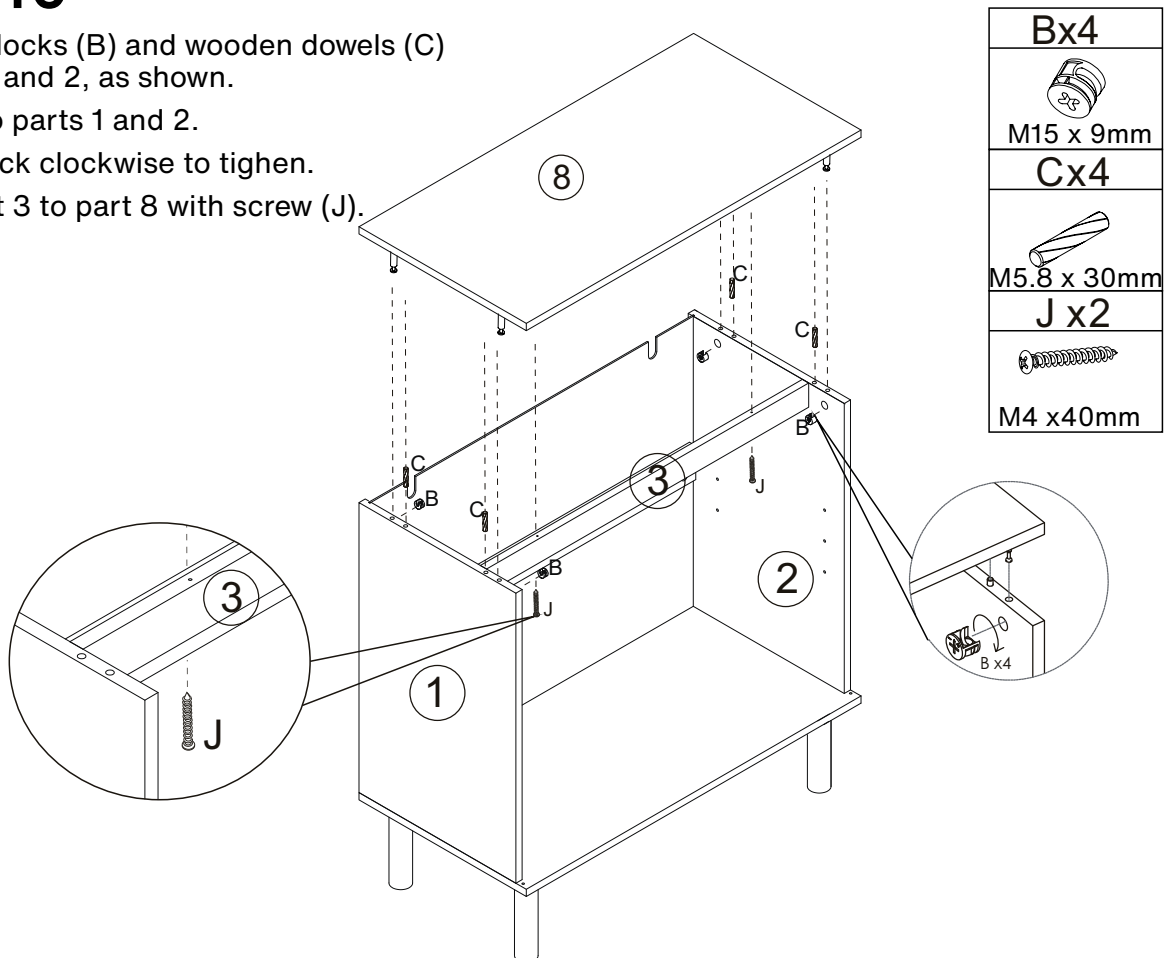
Step 10

Insert cam locks (B) and wooden dowels (C) into parts 1 and 2, as shown.

Fit part 8 to parts 1 and 2.

Turn cam lock clockwise to tighten.

Secure part 3 to part 8 with screw (J).



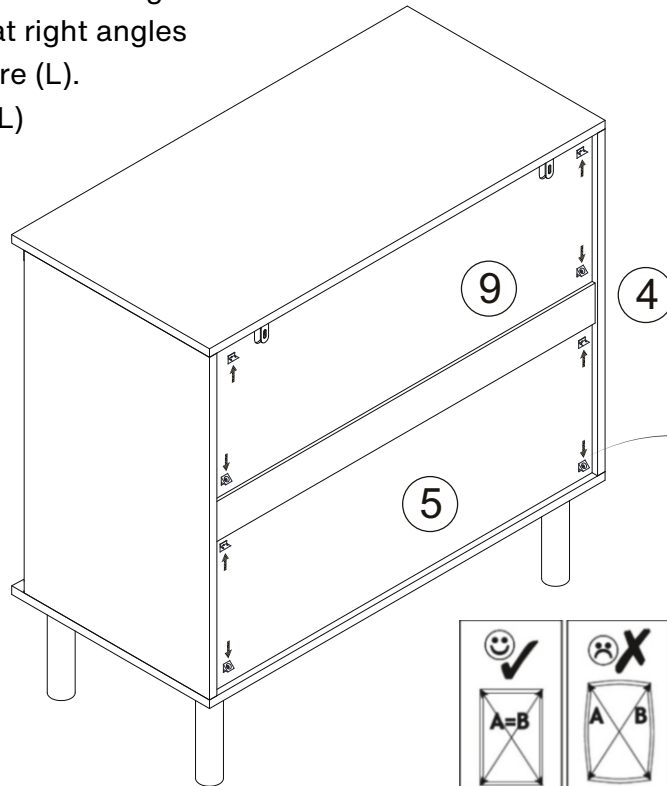
Step 11

Secure backing panels 5 and 9 by fixing wedges (L) using screws (K), as shown.

ATTENTION PLEASE

Please ensure the structure is straight and level and all panels are at right angles before installing hardware (L).

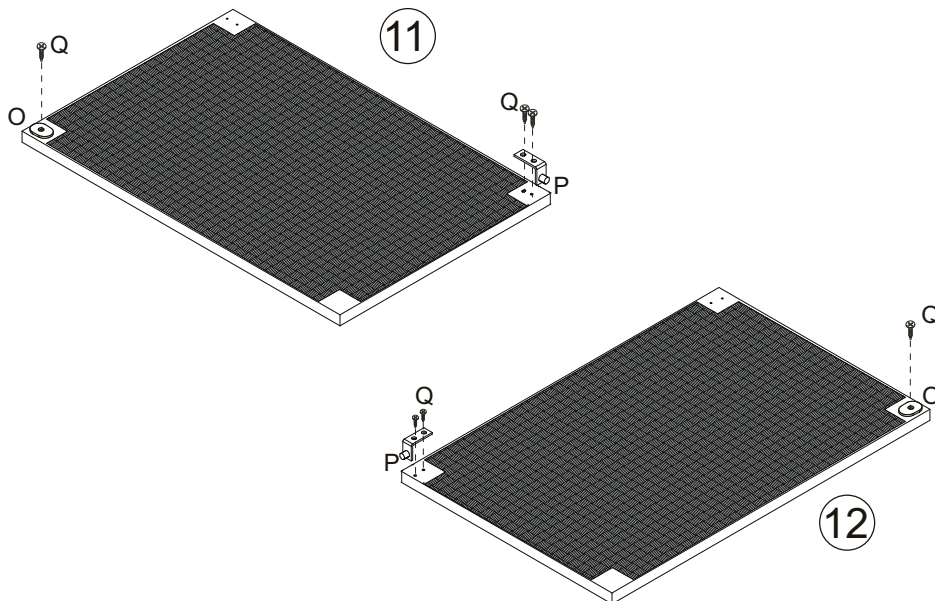
MUST install hardware (L) to strengthen product stability.



Lx8
Kx8
M3 x16mm

Step 12



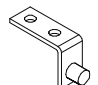
Fix washers (O) and door shafts (P) to doors 11 and 12 with screw (Q).

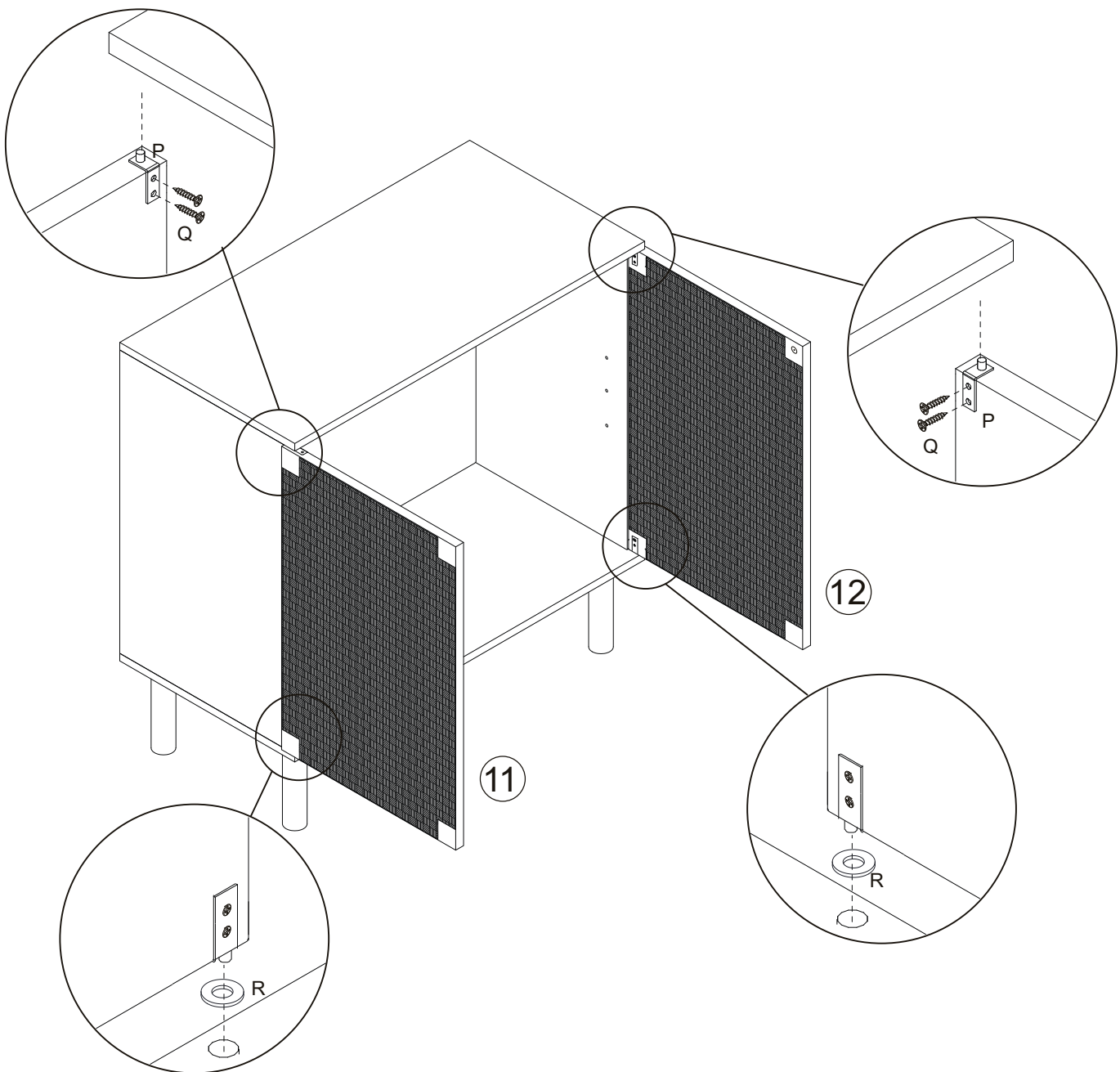


Qx6
M3.5 x12mm
Ox2
Px2

Step 13

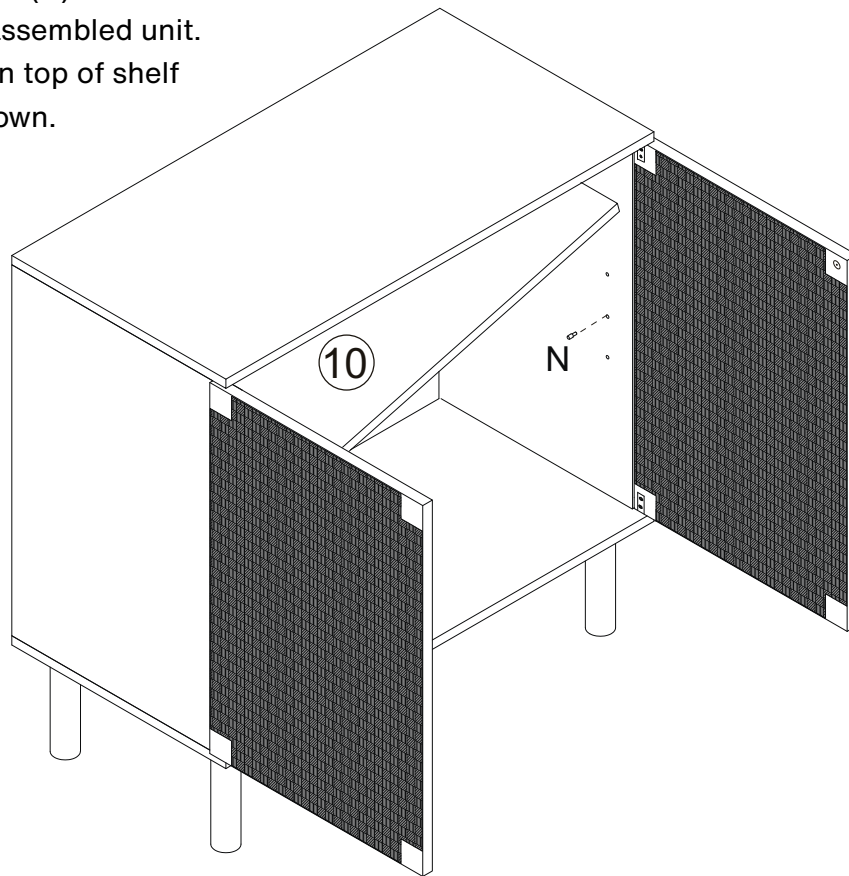
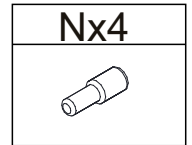
Fix doors 11 and 12 to the assembled unit with door shafts (P), washers (R) and screws (Q), as shown.

Qx4
 M3.5 x12mm
Rx2

Px2




Step 14

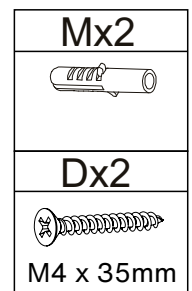
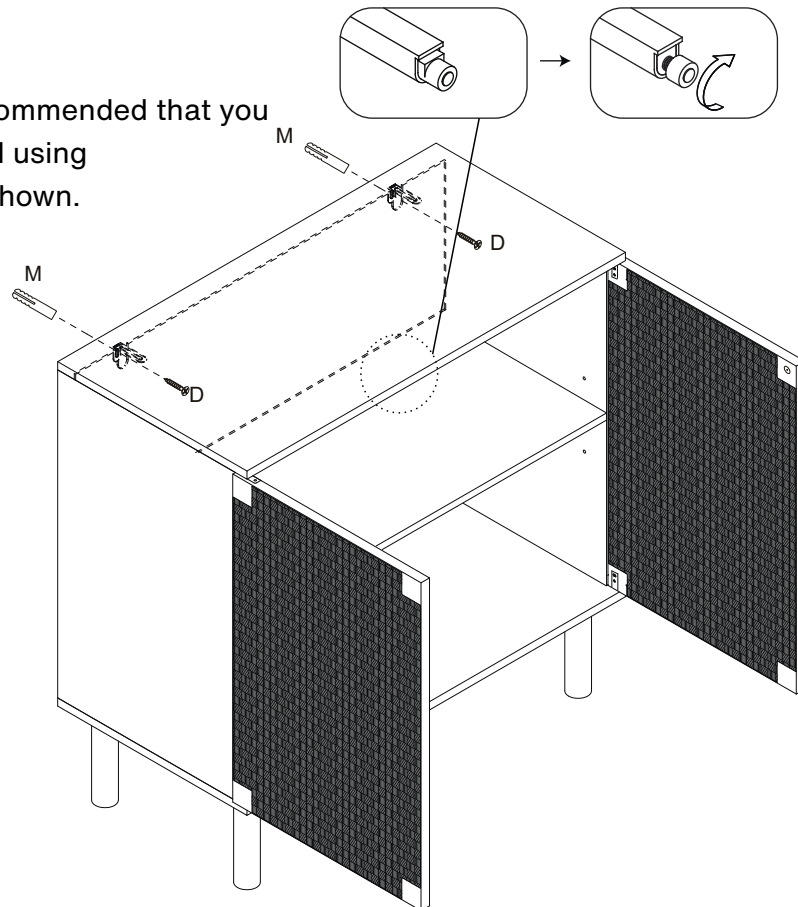
Fit shelf supports (N) into desired position in the assembled unit. Place shelf 10 on top of shelf supports, as shown.



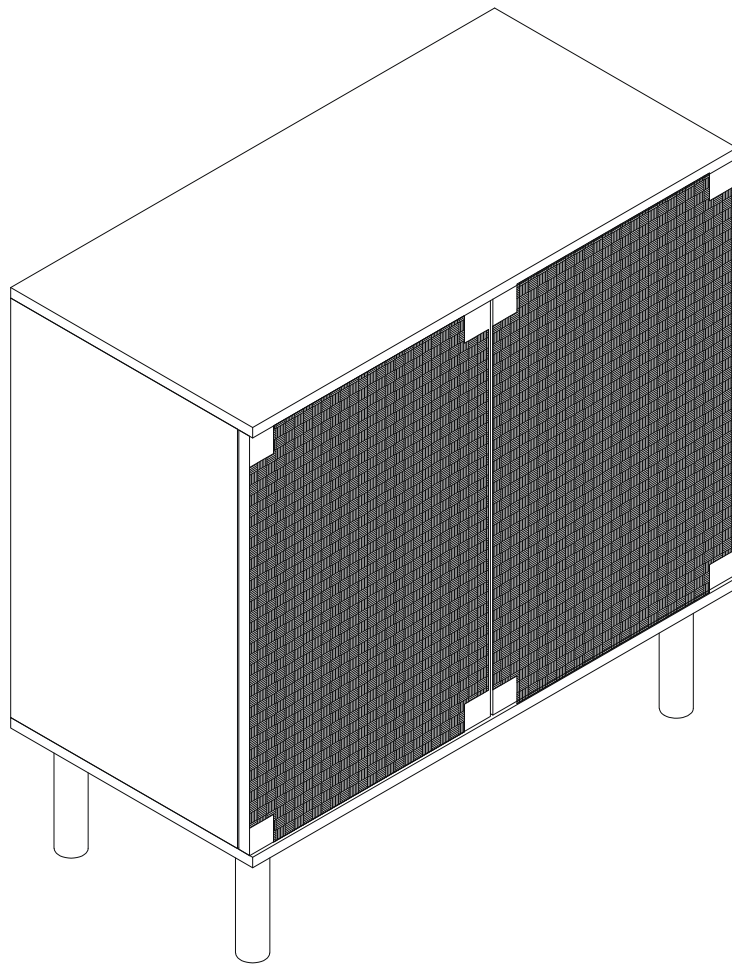
Step 15

For extra stability, it is recommended that you fix your cabinet to the wall using hardware (D and M), as shown.

Should you choose not to affix the product to the wall serious injury may be caused if the product tips over.



VOILA!
Now enjoy.



Warning

DO NOT sit or stand on the Cabinet as this may damage the product and cause serious bodily injury.

Something not right?

We are always here to help.

We make mistakes like every human does.

Though we always strive to provide the best possible products at competitive prices and the best service in the industry, it's not possible to completely eliminate mistakes. If you experience any dissatisfaction, feel free to contact us immediately. Our in-house customer care team will respond ASAP.

Things to do to expedite the process

- Have your order# ready
- Take photos/videos to help us better identify the issues
- DO NOT throw away the packaging