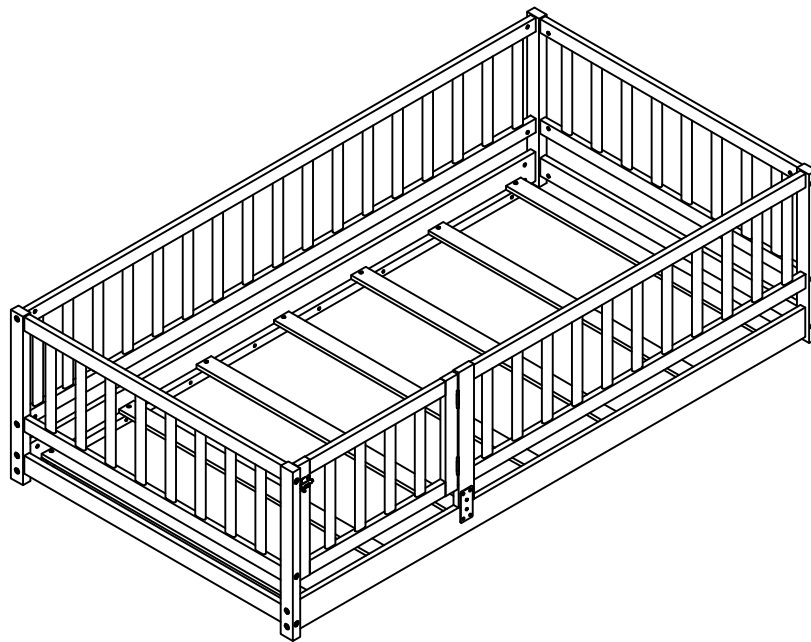
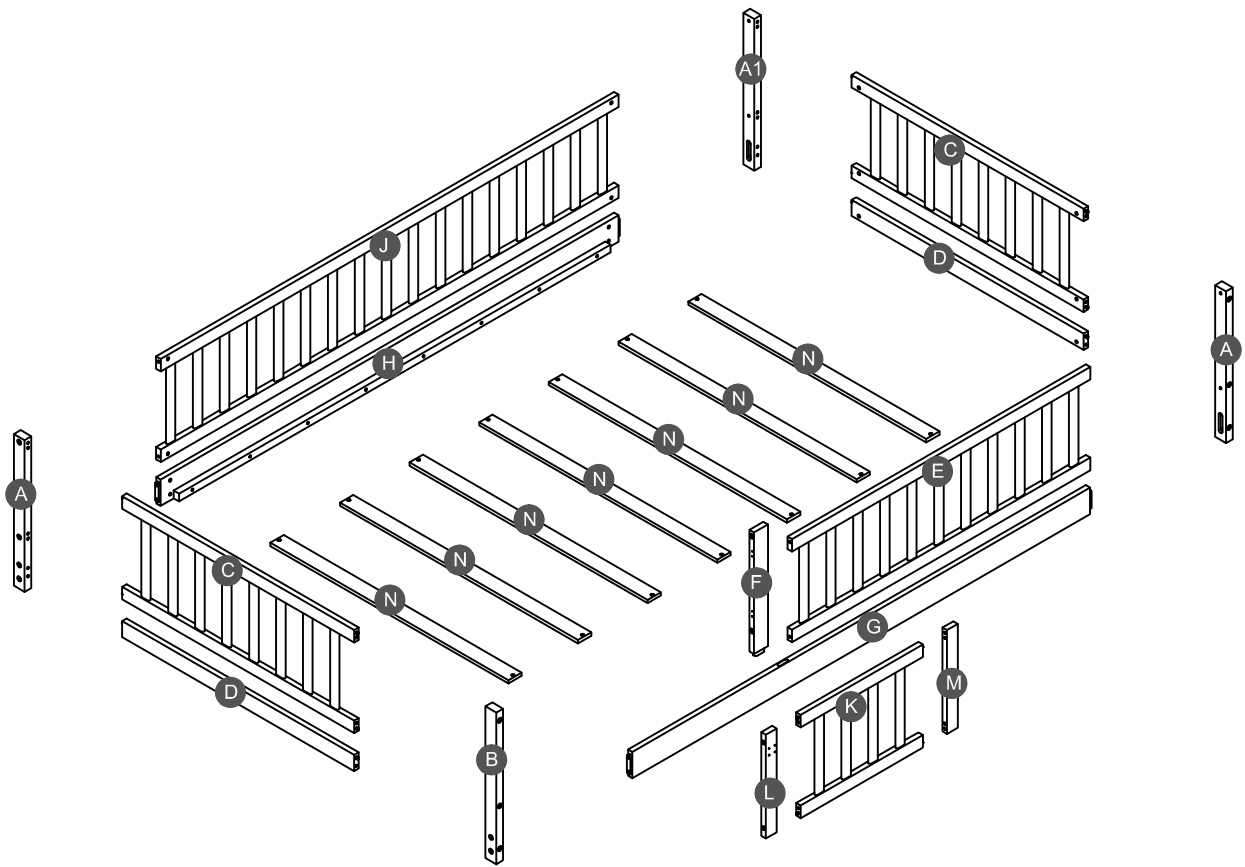


ASSEMBLY INSTRUCTIONS


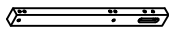
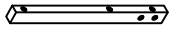
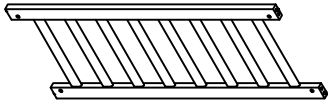
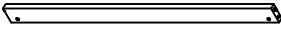
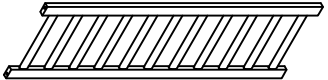
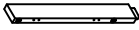
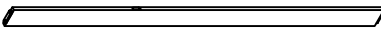

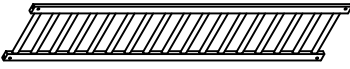
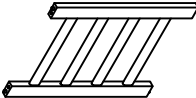
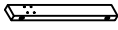
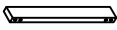
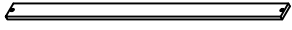
TWIN FLOOR BED WITH SLATS



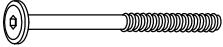
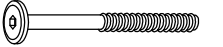


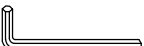
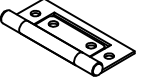
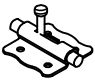
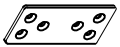



Detail View



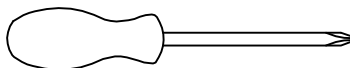
Part List

<p>A</p>  <p>Leg (Left Back/Right front) - 2pcs</p>	<p>A1</p>  <p>Leg (Right Back) - 1pc</p>	<p>B</p>  <p>Leg (Left front) - 1pc</p>
<p>C</p>  <p>Frame HB/FB - 2pcs</p>	<p>D</p>  <p>Lower horizontal bar HB/FB - 2pcs</p>	<p>E</p>  <p>Short guard rail (Front) - 1pc</p>
<p>F</p>  <p>Vertical bar (Front) - 1pc</p>	<p>G</p>  <p>Side rail (Front) - 1pc</p>	<p>H</p>  <p>Side rail (Back) - 1pc</p>
<p>J</p>  <p>Long guard rail (Back) - 1pc</p>	<p>K</p>  <p>Door frame - 1pc</p>	<p>L</p>  <p>Vertical rail of door (Left) - 1pc</p>
<p>M</p>  <p>Vertical rail of door (Right) - 1pc</p>	<p>N</p>  <p>Slats - 7pcs</p>	

Hardware List



1  (Ø15)1/4"*100mm Hex-Head bolts (2pcs)	2  (Ø15)1/4"*80mm Hex-Head bolts (26pcs)	3  (Ø12)1/4"*70mm Hex-Head bolts (4pcs)
4  1/4"*15 (9.5mm) Horizontal-Hole bolts (32pcs)	5  (1/4")4.5*58mm Allen key (1pc)	6  55*27.5*7mm(180°) Hinges (2pcs)
7  60*38*10mm Lock (1pc)	8  100*44*1.5mm Metal bracket (1pc)	9  100*44*1.5mm Metal bracket (1pc)
10  Ø3.5*15mm Wood screws (24pcs)	11  Ø4*30mm Wood screws (14pcs)	

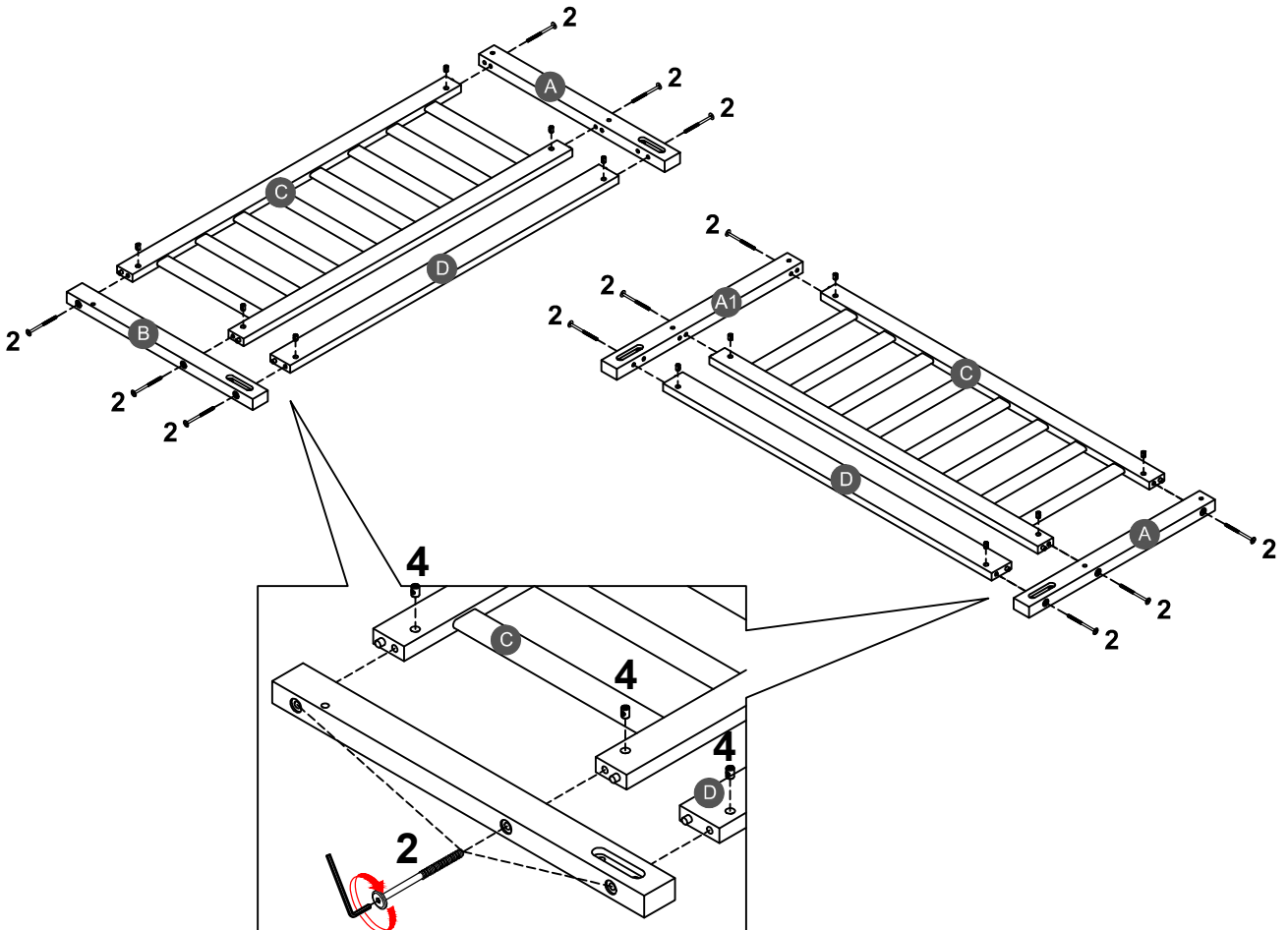
ASSEMBLY TOOLS REQUIRED (NOT INCLUDED)



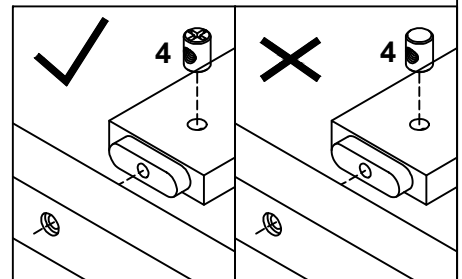
PLEASE BE CAREFUL DO NOT DAMAGE THE HOLE POSITION WHEN YOU USE POWER TOOLS !

STEP 1:



2		4	
12PCS		12PCS	

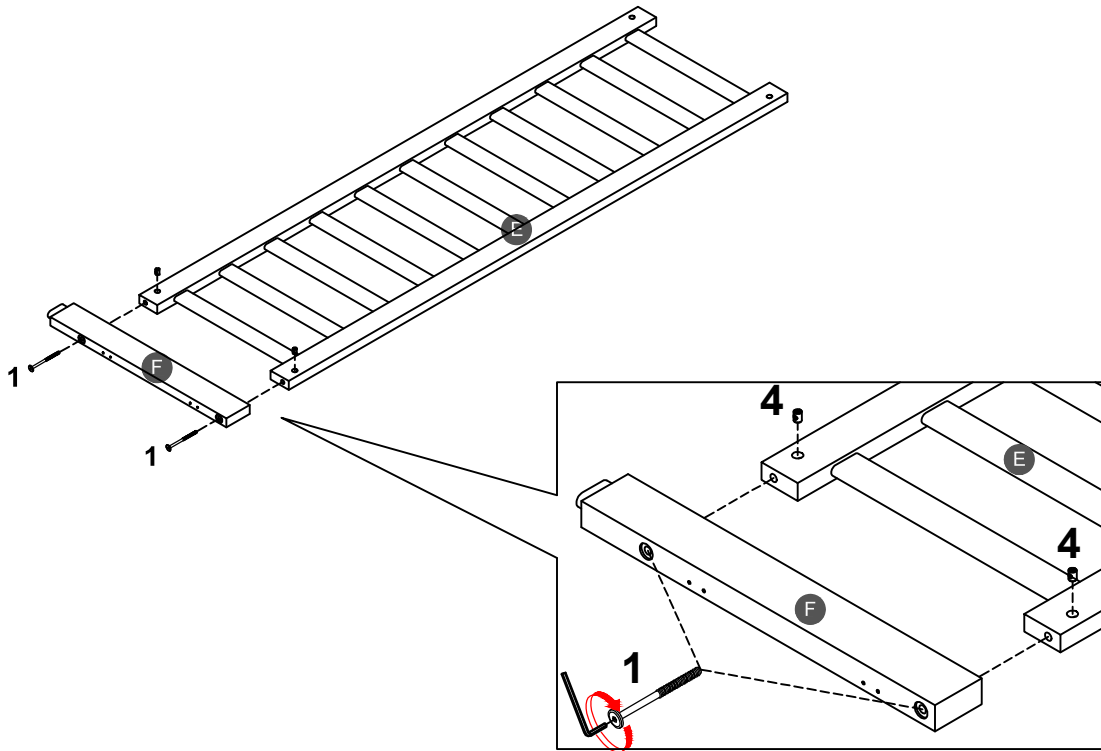


Note: Part 4 will face up with the "x" mark on it, otherwise it cannot be tightened

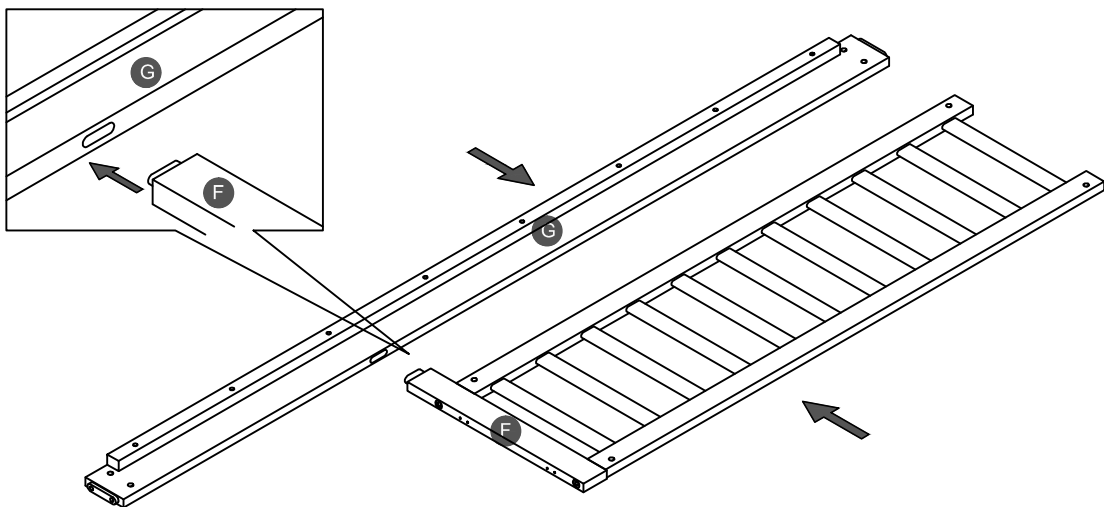


STEP 2:

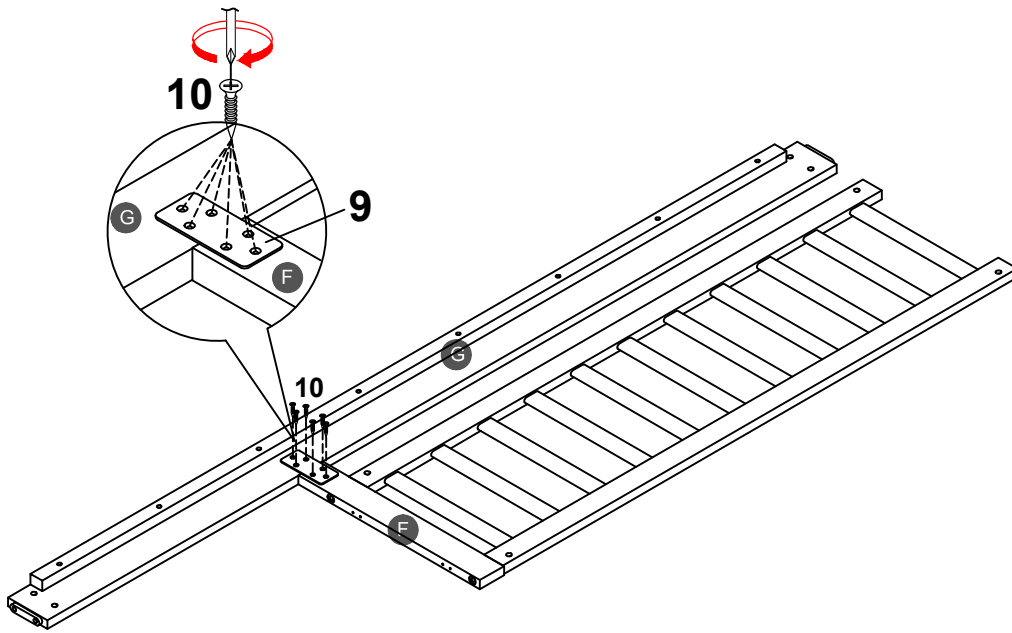
1		4	
2PCS		2PCS	



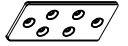
STEP 3:



STEP 4:



9



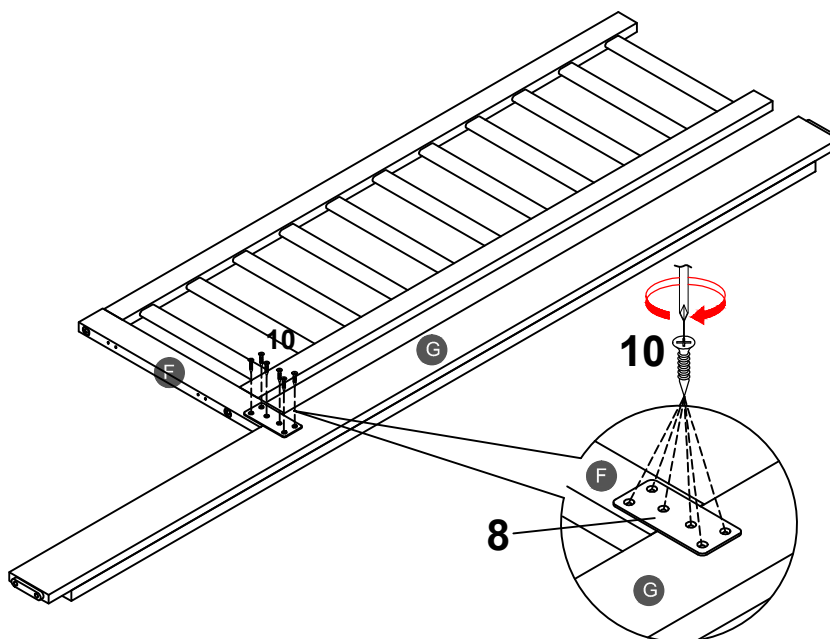
1PC

10

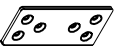


6PCS

STEP 5:



8





1PC

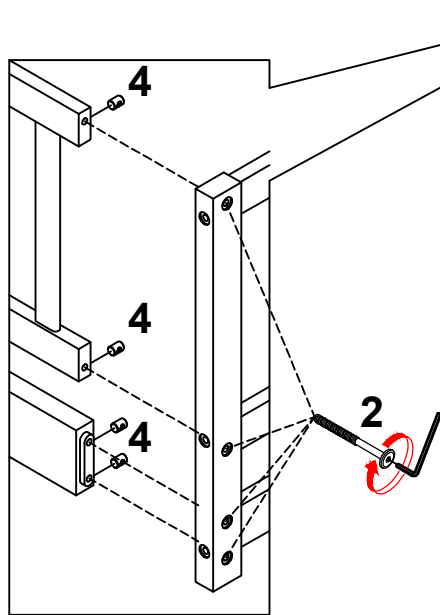
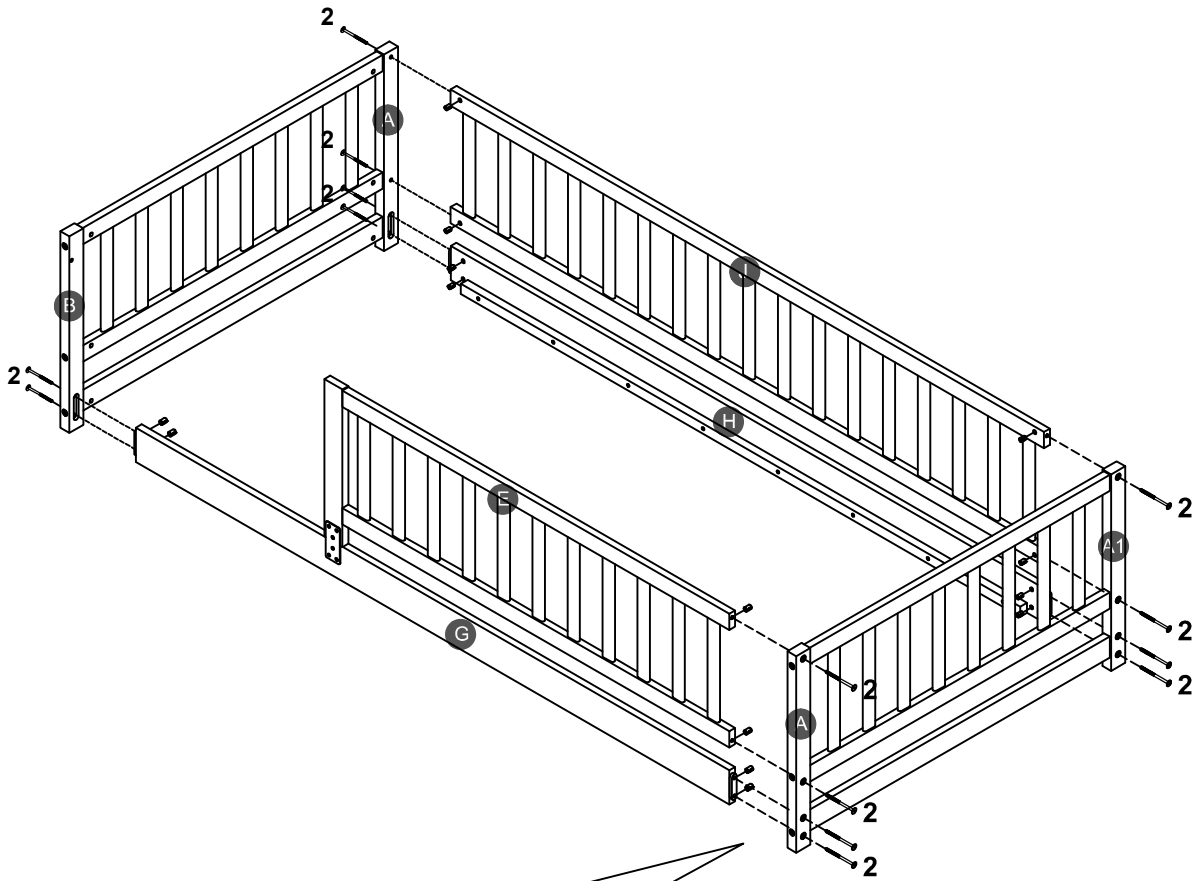
10



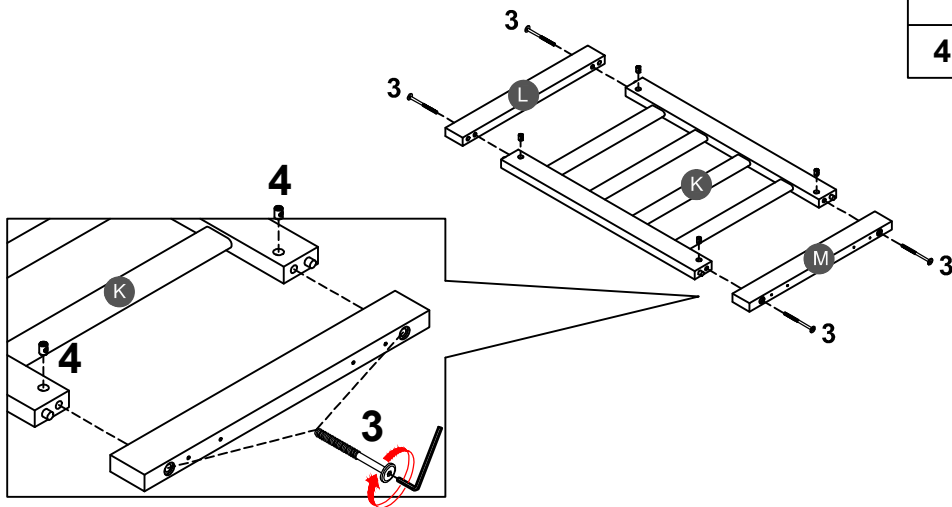
6PCS



STEP 6:

2		4	
14PCS		14PCS	

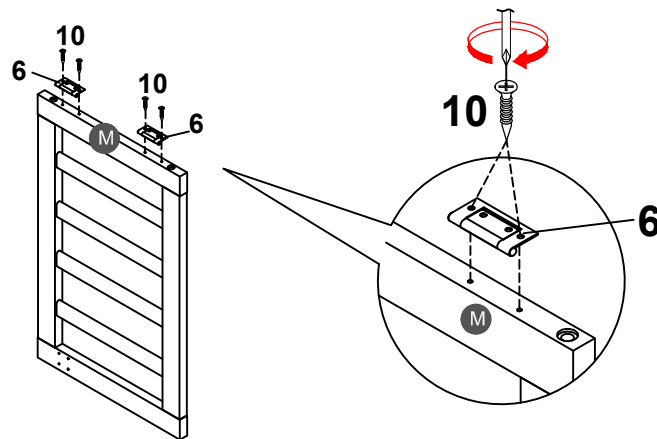


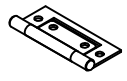

STEP 7:



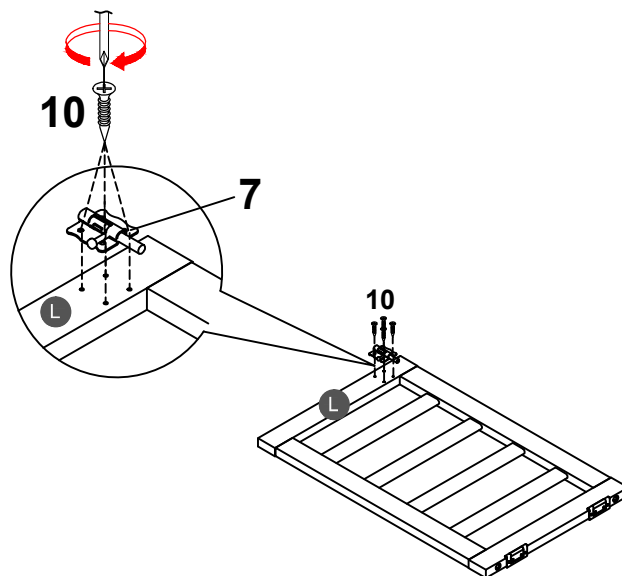
3		4	
4PCS		4PCS	



STEP 8:



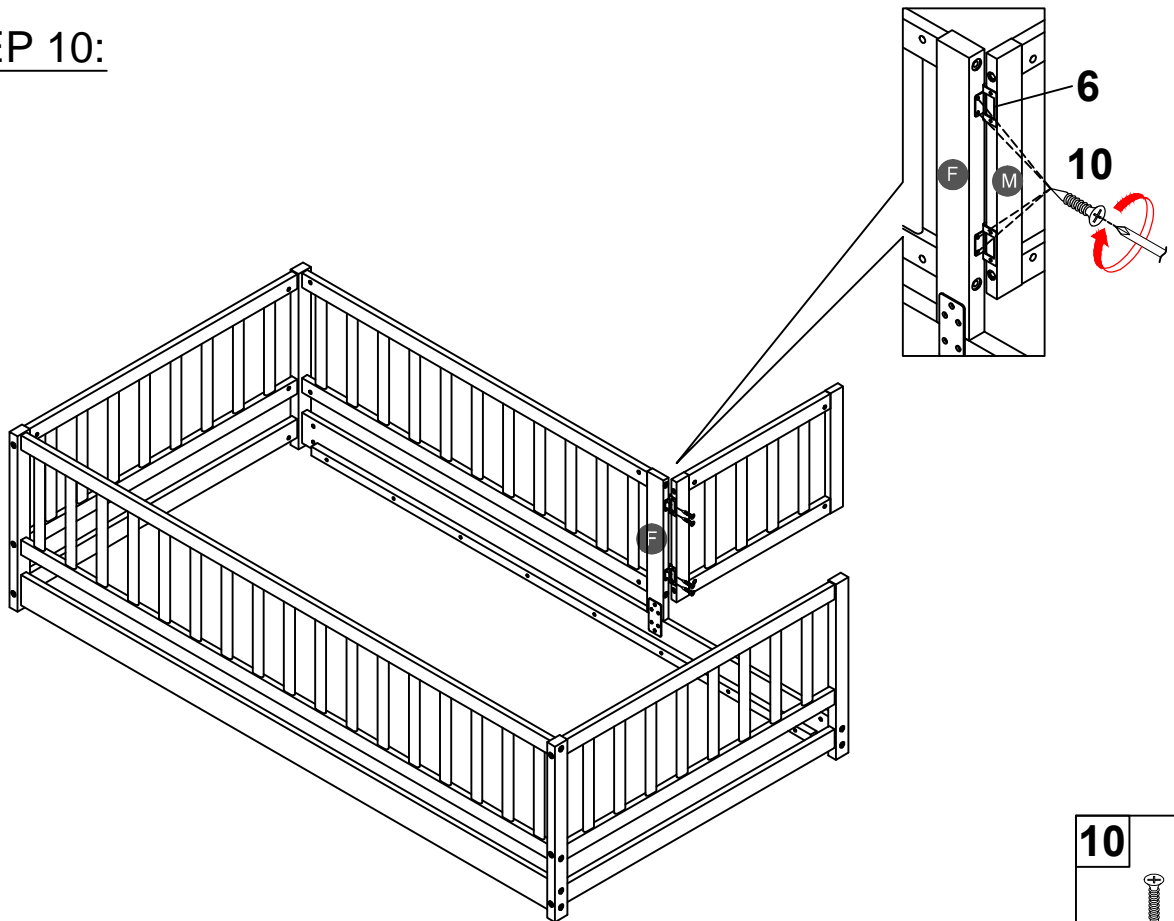
6		10	
2PCS		4PCS	


STEP 9:



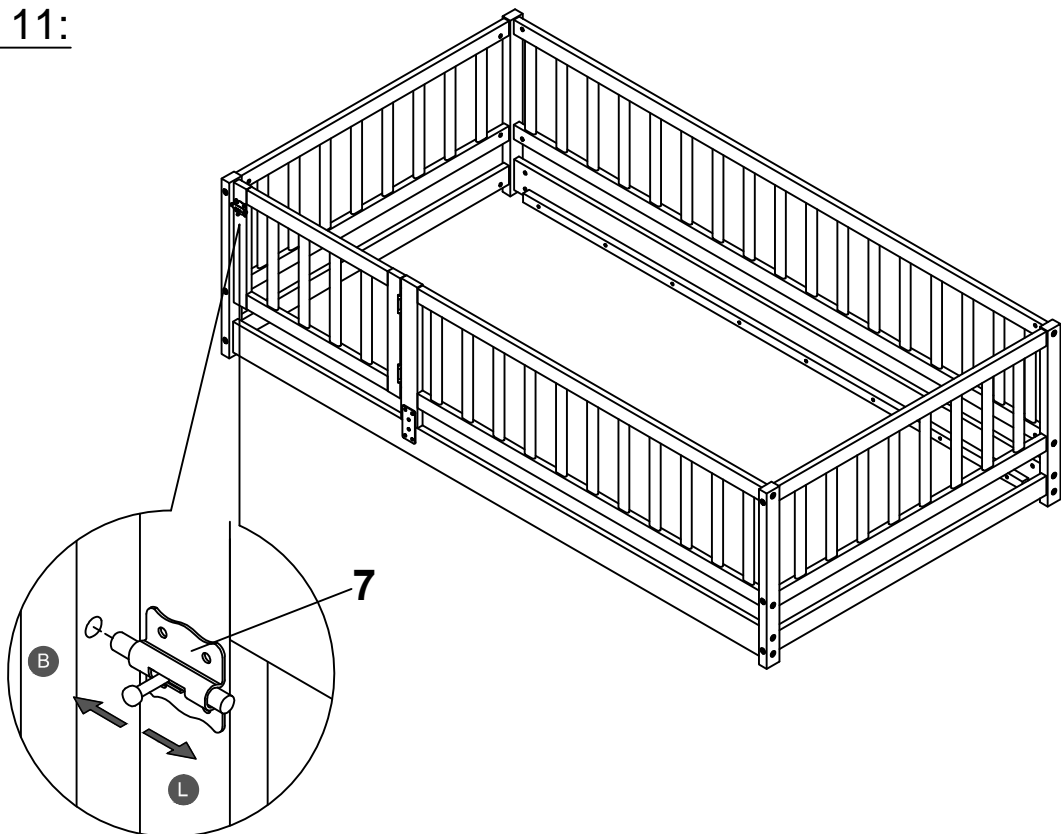
7		10	
1PC		4PCS	

STEP 10:




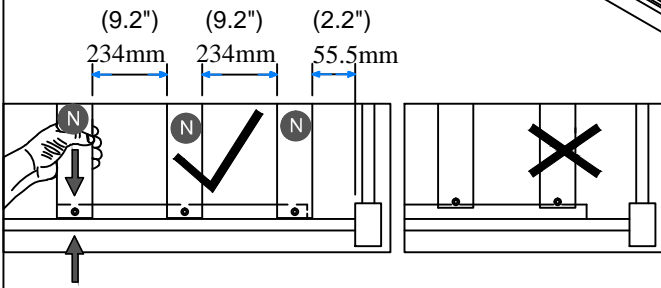
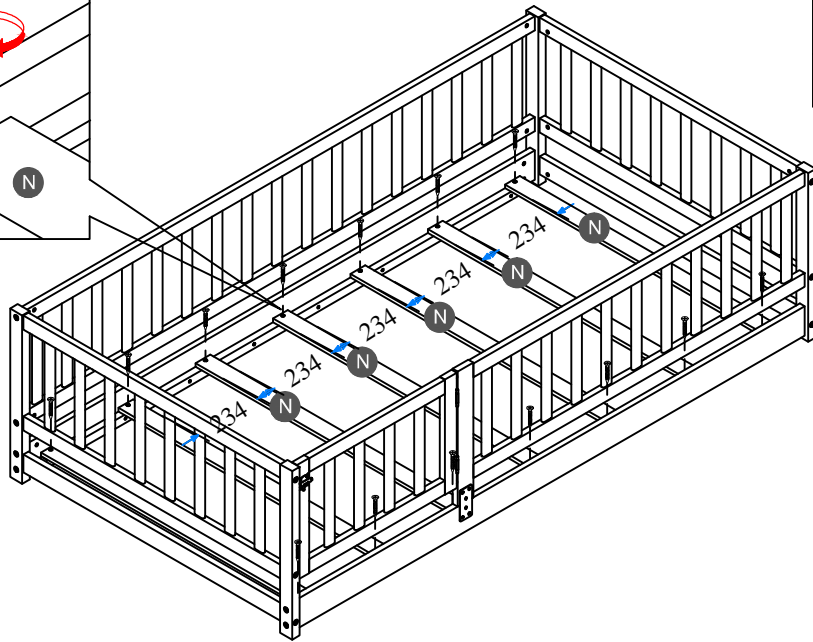
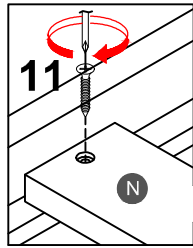
10

4PCS

STEP 11:



STEP 12:

11

14PCS



NOTE: Please make sure the bed slats close to the side rail before locking the screws to avoid breakage. This step is required for both the left and right sides. Moreover, please do not lock the screws of the bed slats at the outermost edge to avoid damaging.

