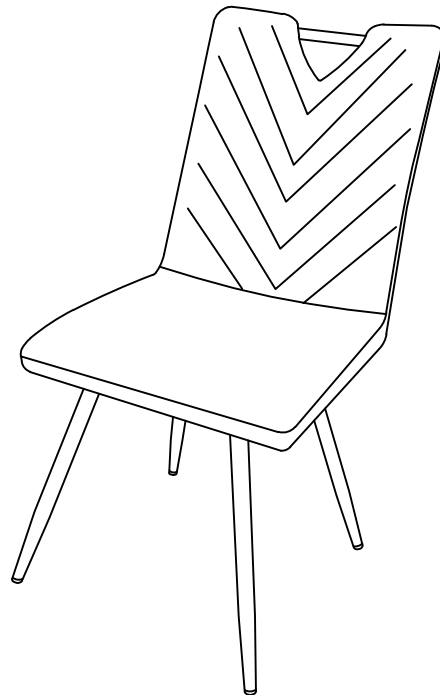


Assembly Instructions



Helpful advise before you begin:

1. We suggest you spend a short time reading through this lealet and then follow the simple step by step instructions.
2. If you follow the instructions carefully the end result should be worth the effort.
3. Do not discard any of the packaging until you have checked that you have all the parts and the pack of fittings.
4. Assemble this product on a carpet.
5. To ensure an easier assembly,we strongly advise that all fittings are only finger tightened during initial assembly.Only upon completion of the assembly should all fixing points be fully tightened.
6. We recommend a periodic check on all fixing points to make sure they remain fully tightened.
7. Keep glue and fittings out of children's reach.
8. Do not use any other tools other than those recommended to build this product.
9. Please do not use substitute parts.Use only additional or replacement parts supplied by us



1 x people recommended to assemble this product



Approximate time to assemble this product



Retain these instructions for future reference

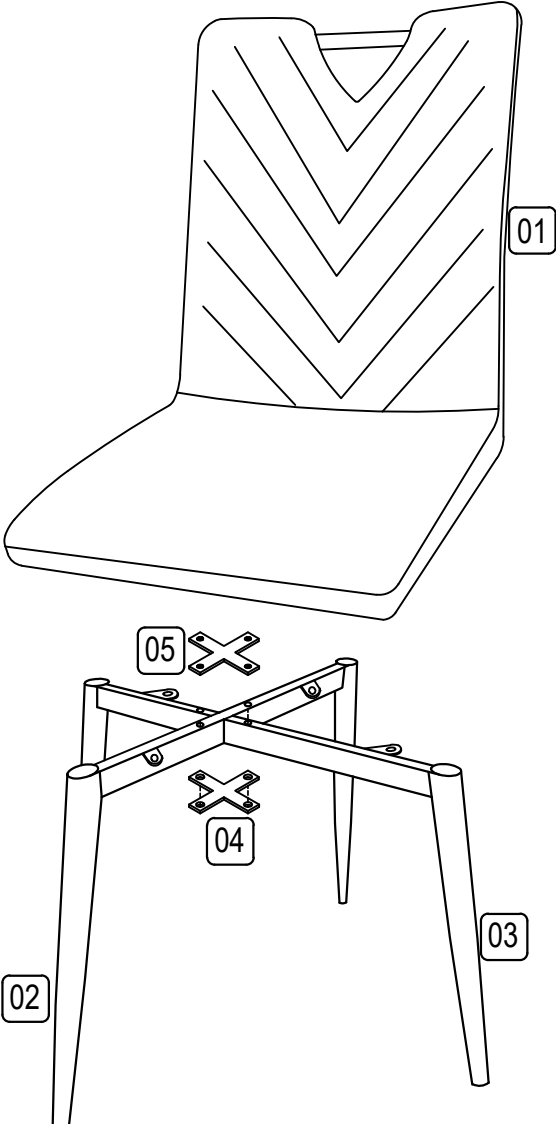


Do not discard any of the packaging until you have checked that you have all the parts and the pack of fixings.

Parts Checklist



Do not discard any of the packaging until you have checked that you have all the parts and the pack of fixings.

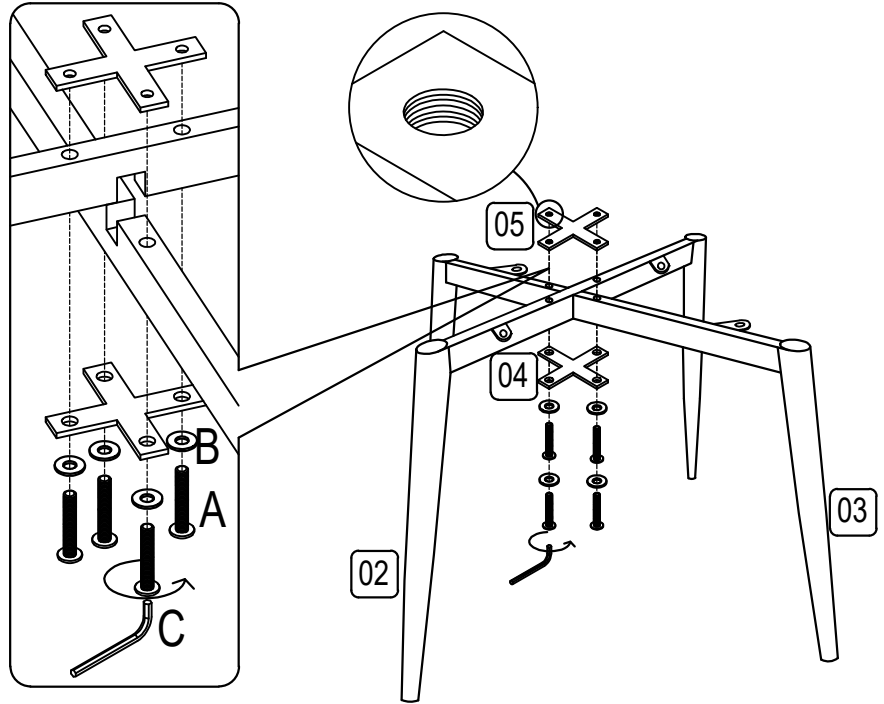




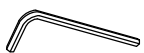
Fittings Checklist

Bolt	Washer	Allen Key	Bolt
Ⓐ x 4	Ⓑ x 8	Ⓒ x 1	Ⓓ x 4

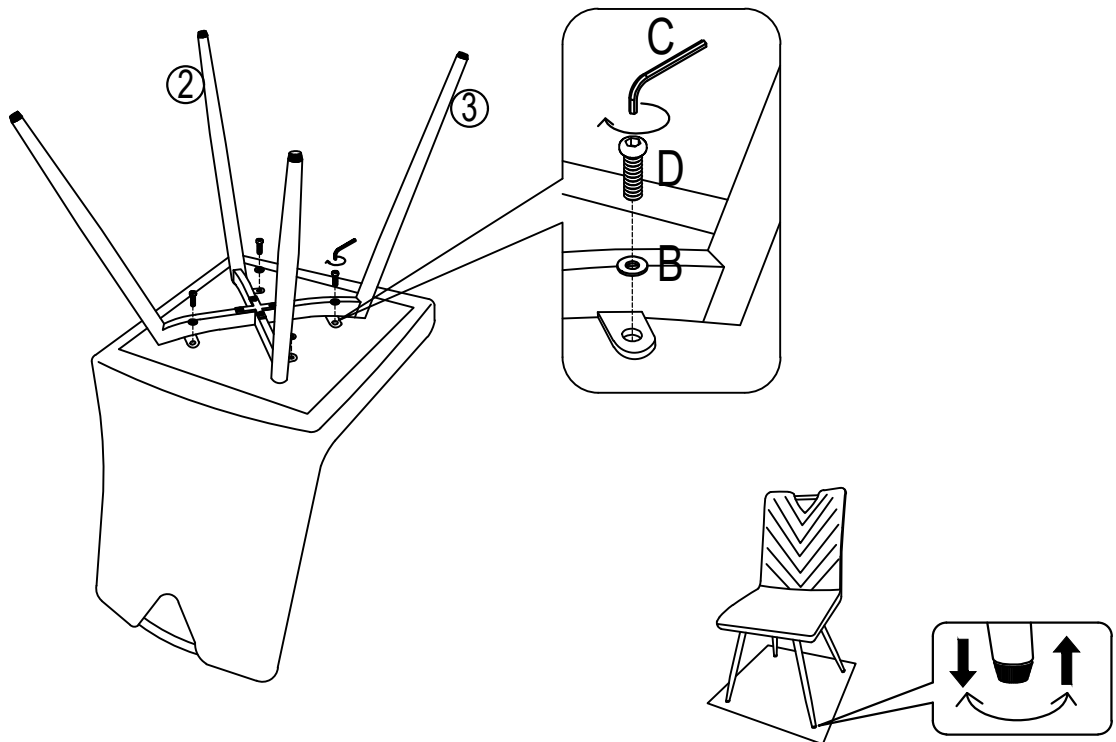
Check size of fixings against this guage (dimensions in mm)


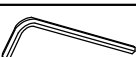
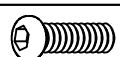
1 Screw on bolts as shown in the picture, and tighten bolts with approximately 80% of required torque.



(A)	Bolt	x 4	(B)	Washer	x 4	(C)	Allen Key	x 1
								

2



(B)	Washer	x 4	(C)	Allen Key	x 1	(D)	Bolt	x 4
								

3

Place chair on a totally flat surface and retighten bolts again with 100% of required torque until all screws do not turn anymore.

