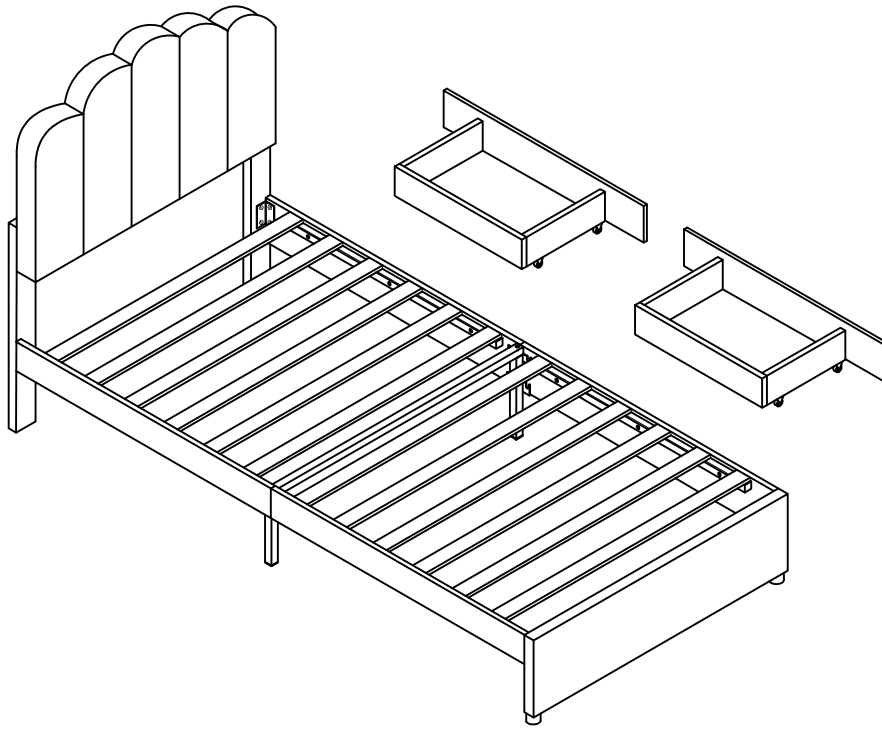
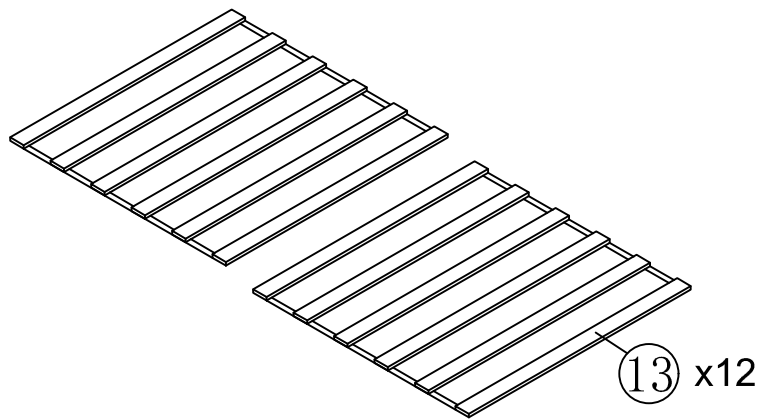
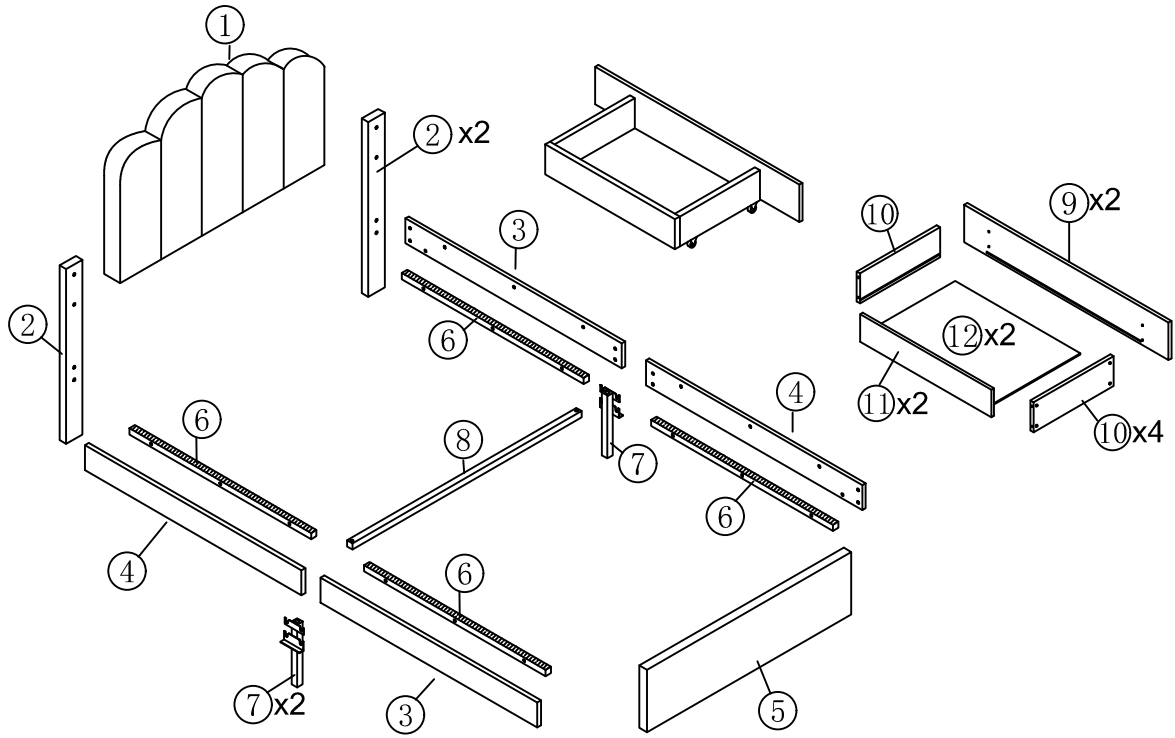


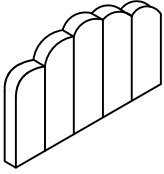

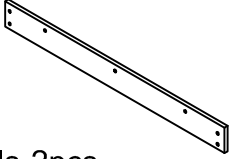
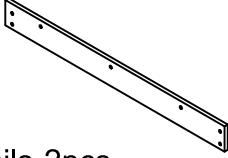
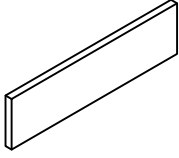
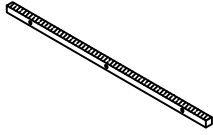

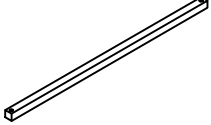
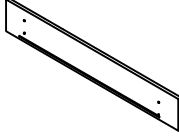
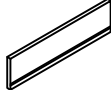
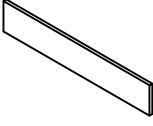
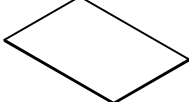
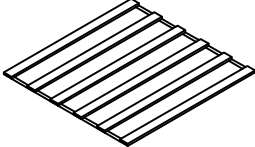
ASSEMBLY INSTRUCTION








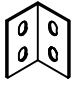


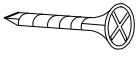


Detail View



Part List


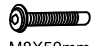
<p>1</p>  <p>Head board-1pc</p>	<p>2</p>  <p>Head board legs-2pcs</p>	<p>3</p>  <p>Siderails-2pcs</p>
<p>4</p>  <p>Siderails-2pcs</p>	<p>5</p>  <p>Foot board-1pc</p>	<p>6</p>  <p>Side rails support bar-4pcs</p>
<p>7</p>  <p>Side rails support legs-2pcs</p>	<p>8</p>  <p>Cross bar-1pc</p>	<p>9</p>  <p>Drawer outer board-2pcs</p>
<p>10</p>  <p>Drawer board-4pcs</p>	<p>11</p>  <p>Drawer board-2pcs</p>	<p>12</p>  <p>Drawer bottom board-2pcs</p>
<p>13</p>  <p>Slats-12pcs</p>		

Hardware List

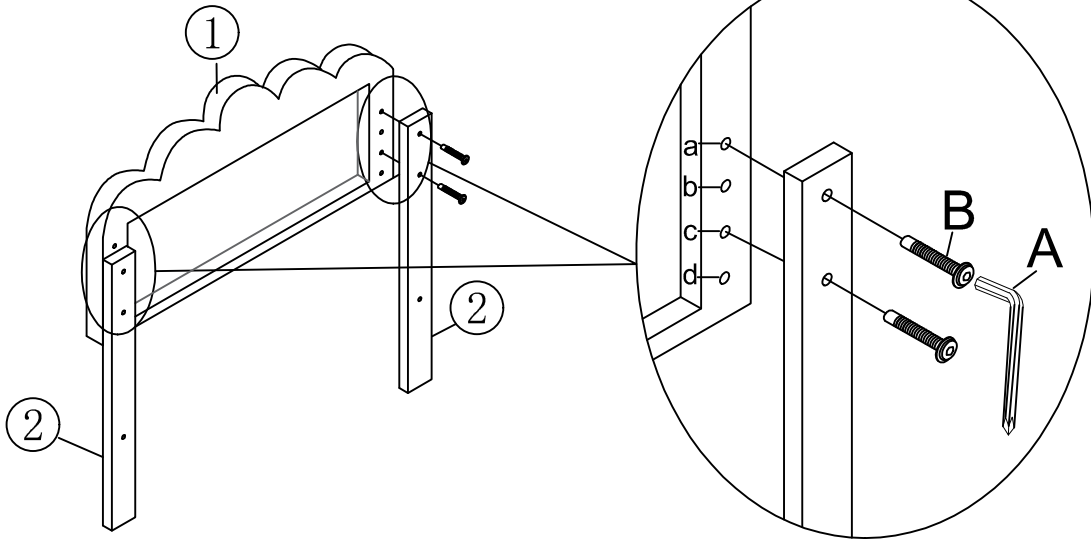
A  20*70mm	B  Ø8*50mm	C  Ø8*18mm
Allen Key(1pcs)	Bolts(4pcs)	Bolts(26pcs)
D  Ø8*40mm	E 	F  77*33**33*3mm
Bolts(14pcs)	Stopper(2pcs)	"7" Connector(4pcs)
G  H:40mm	H 	I  Ø3*16mm
Bed legs(2pcs)	Wheel (8pcs)	Nails(16pcs)
J 	K 	
Drawer fittings(16pcs)	Drawer fittings(16pcs)	

Remark: We recommend you assemble your bed in the flat ground.


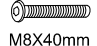
Step 1

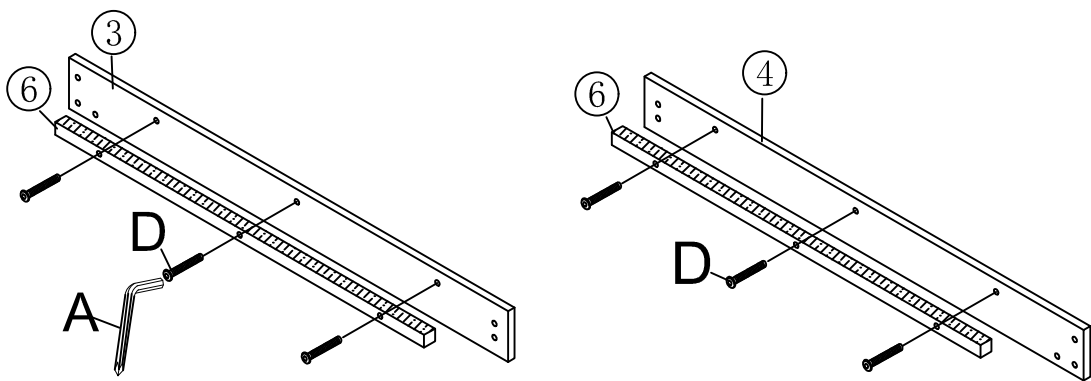
A	B
	 M8X50mm
	4PCS

Attention:
You can chose the hole a
and c ,or b and d.





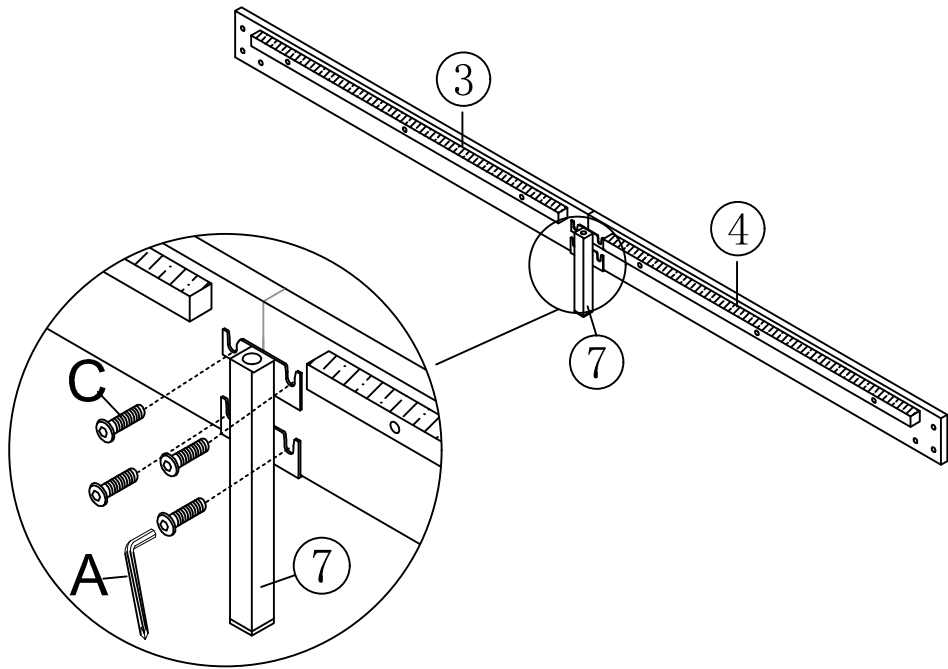
Step 2 x2

A	D
	 M8X40mm
	12PCS




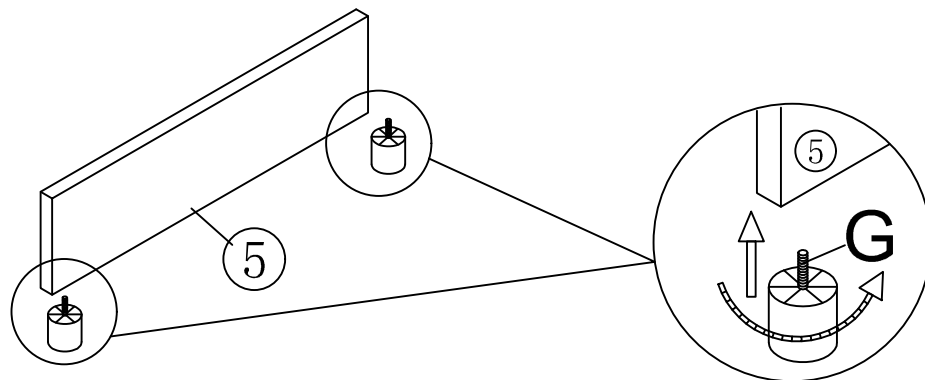
Step 3 x2

A 	C  M8X18mm 8PCS
--	---



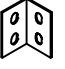


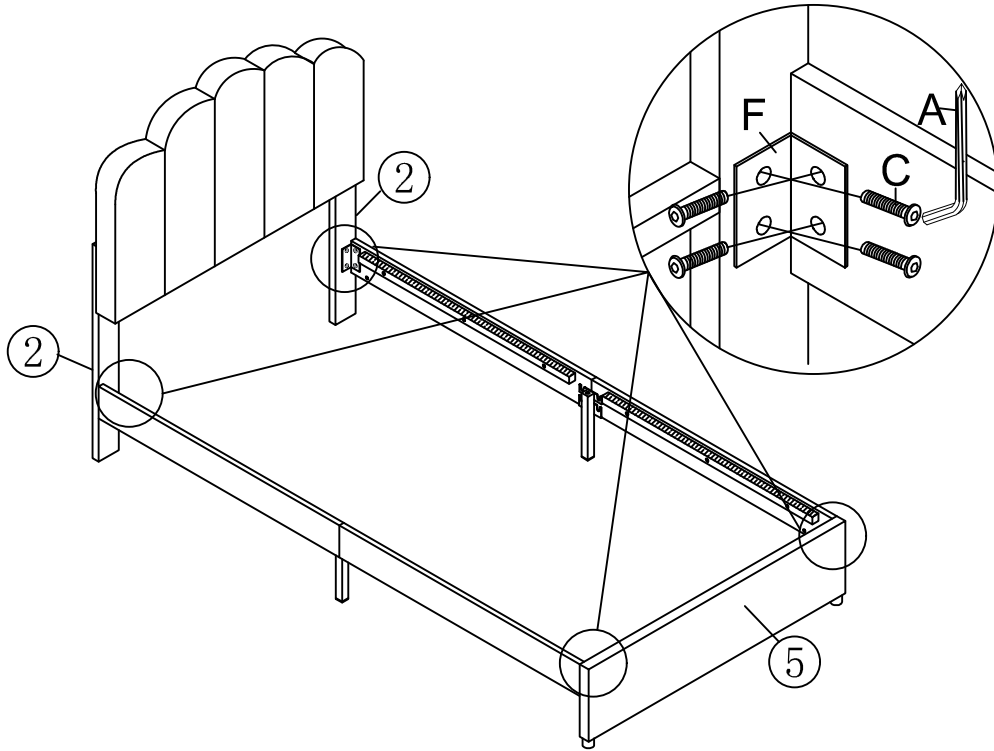
Step 4

G 	2PCS
--	------


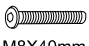


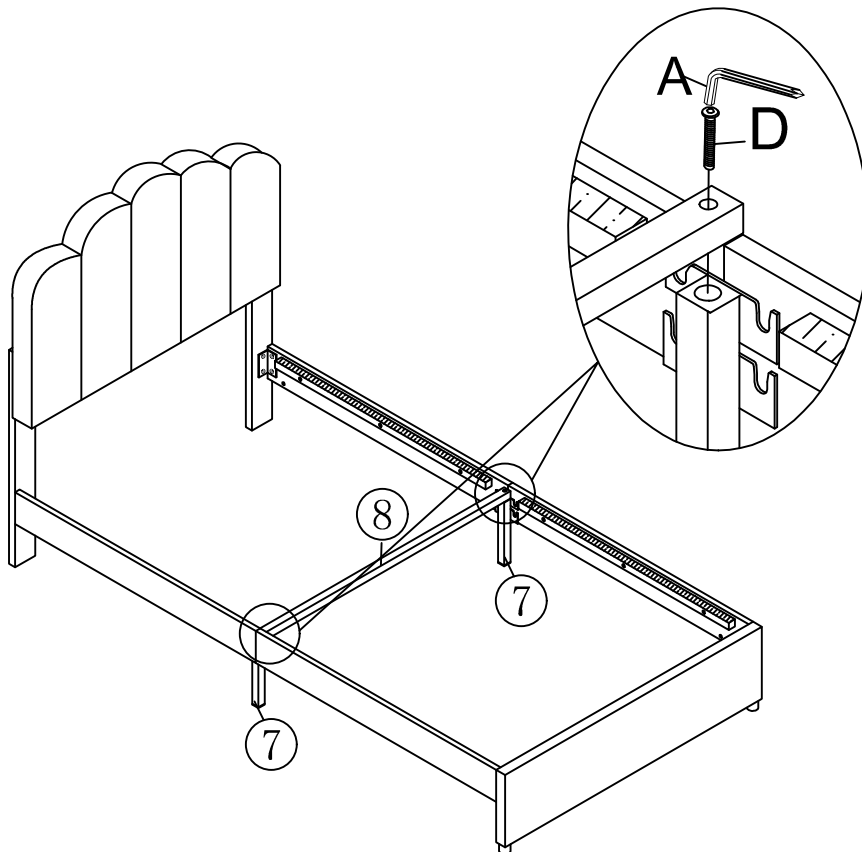
Step 5

A	C	F
	 M8X18mm	
	16PCS	4PCS






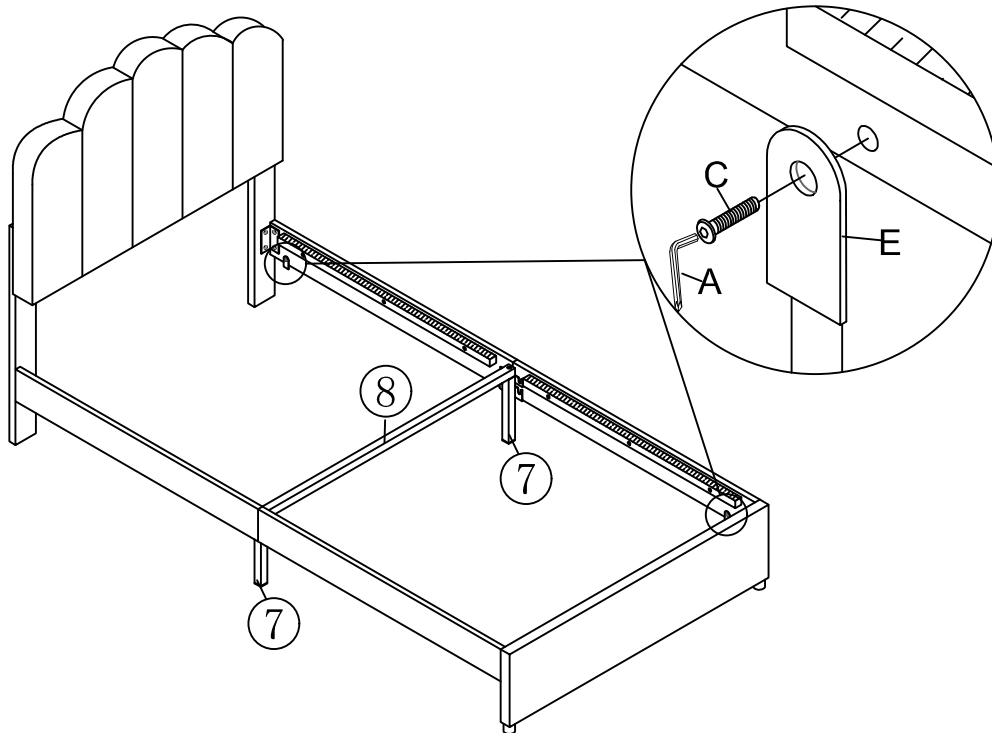
Step 6

A	D
	 M8X40mm
	2PCS



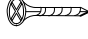




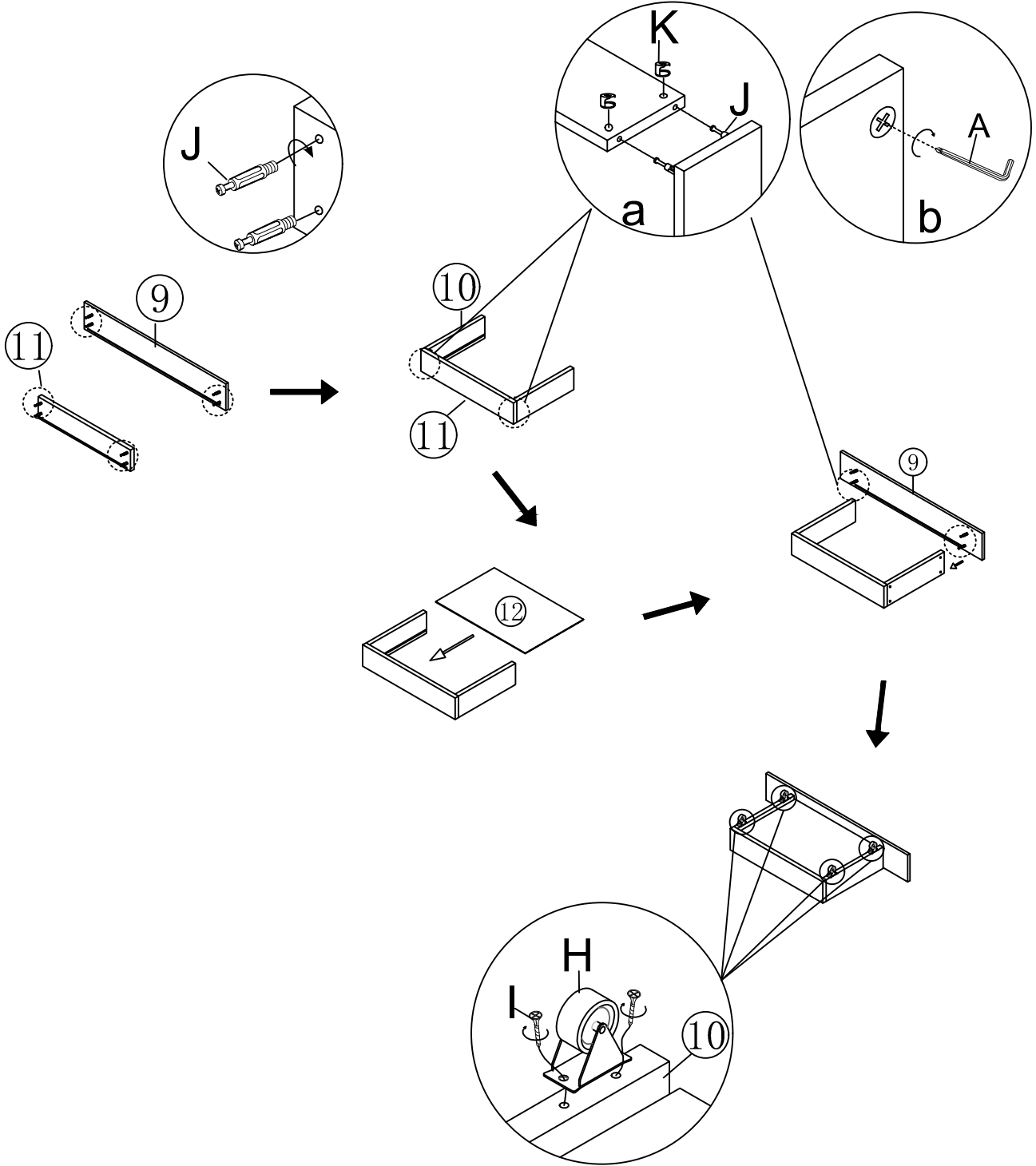
Step 7

A 	C  M8X18mm 2PCS	E  2PCS
---	---	--



Step 8 x2

A	H	I	J	K
		 M3X20mm		
	8PCS	16PCS	16PCS	16PCS



Step 9

