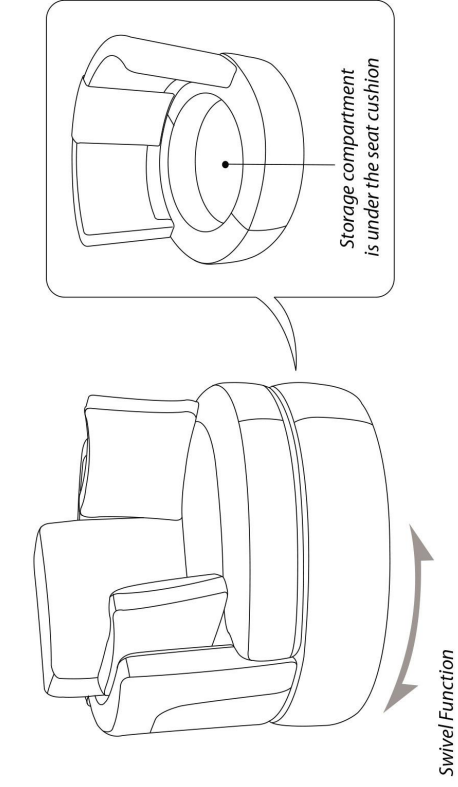


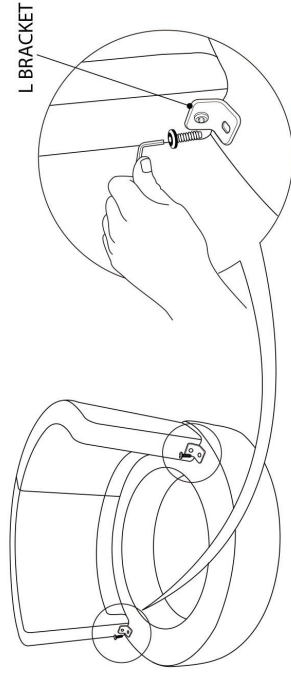
### OPERATING YOUR UNIT

The chair is with swivel function and design with storage compartment



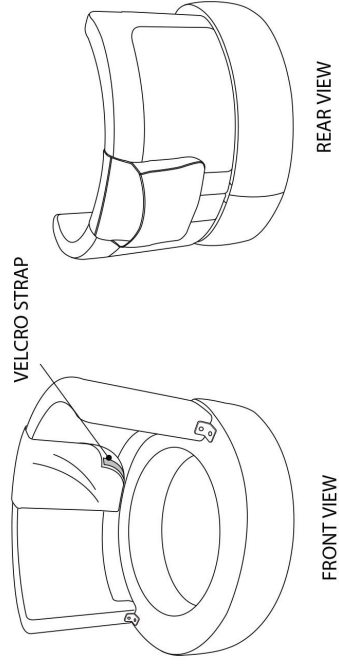
### 3.1

Align L bracket to the pre-drill hole on the Chair Body, Fasten both L Bracket with M6 Short bolts with the Allen key provided.



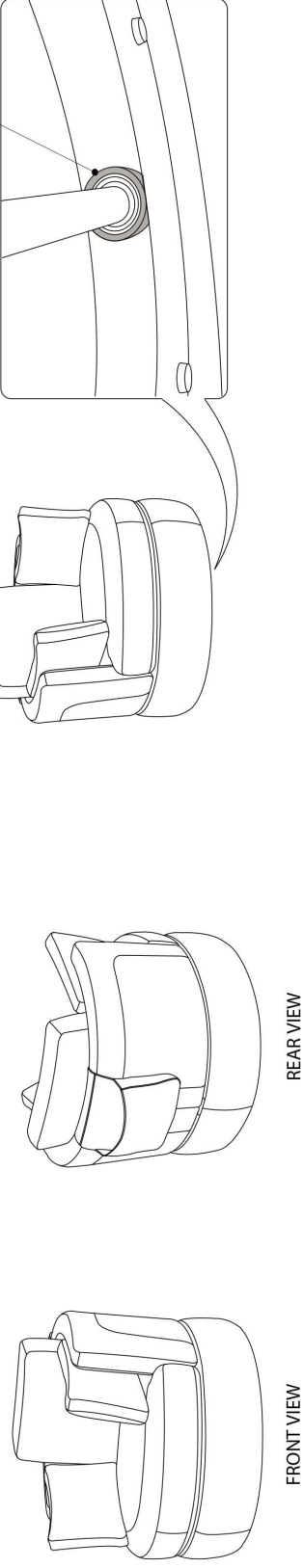
### 3.2

Attach the pocket on backrest panel with Velcro strap as shown below.



### 3.3

Attach the seat cushion on the Chair Body together with backrest cushion and both armrest cushions



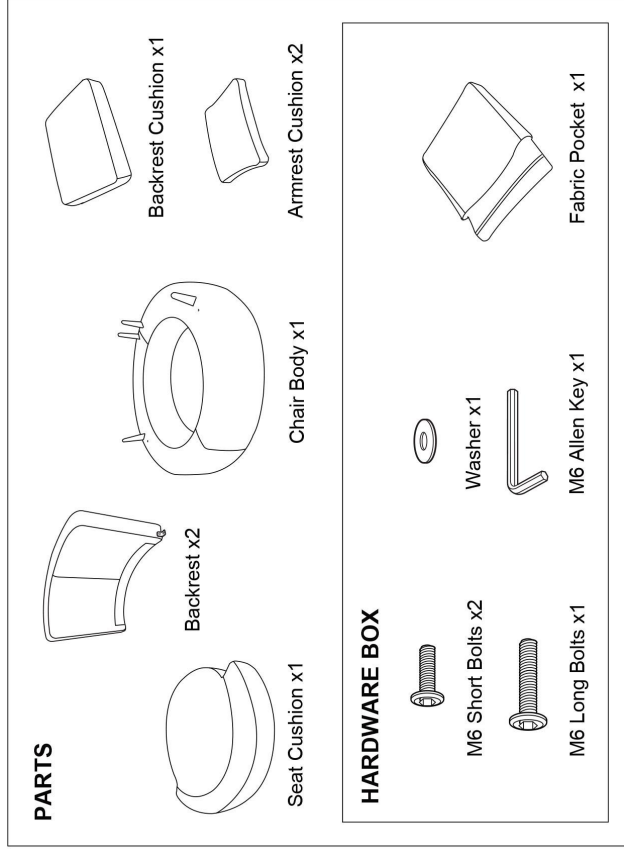
### SWIVEL FUNCTION NOT SMOOTH?

If the unit are not smooth while operation swivel function, follow to the steps below:

Check the bottom of the chair, adjust the rubber on the roller, ensure it is in position

## PARTS AND HARDWARE

Avoid using sharp objects such as a knife to cut open packing as you may accidentally damage the upholstery

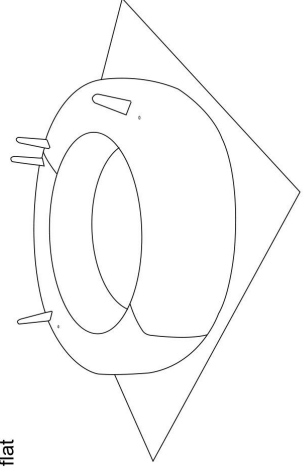


## ASSEMBLY INSTRUCTIONS

**CAUTIONS:** At least two adults are required to safely complete performing this task.  
Other lifting attempts may risk back injury due to large and heavy part(s).

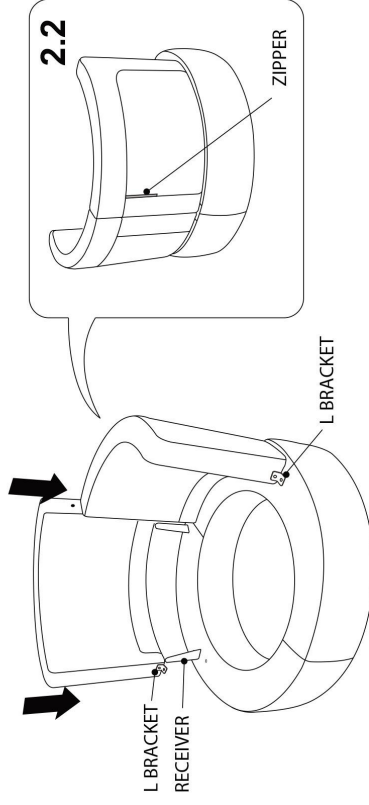


- 1.1** Carefully place chair body on a flat clean surface.



- 2.1** Attach the backrest to the seat unit, ensure both left and right receiver from backrest are align with support arms from the seat unit.

Ensure the L bracket from backrest panel are facing front, and the zipper at the back is at the middle as shown in digram below



- 2.2** Press the backrest from top firmly

- 2.3** Unzip the back fabric from the backrest panel as shown below.  
Fasten both backrest panel with M6 Long bolt and washer with the Allen key provided.

