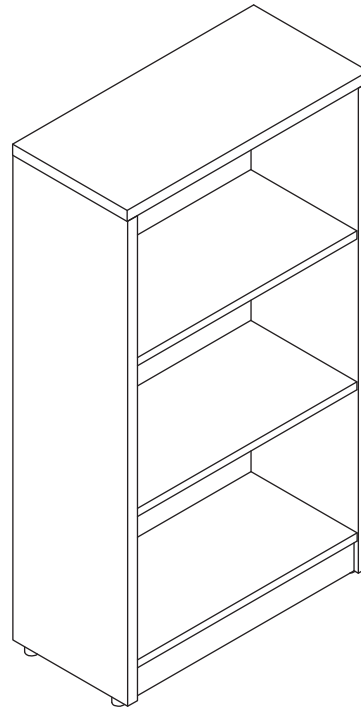


3-Layer Bookcase

Assembly Manual



Please read this manual carefully before any operation and keep it properly for future use.

⚠ WARNING

Keep all parts out of the children's reach.

NOTE

- You need to have a **crosshead screwdriver** before hand.



crosshead screwdriver

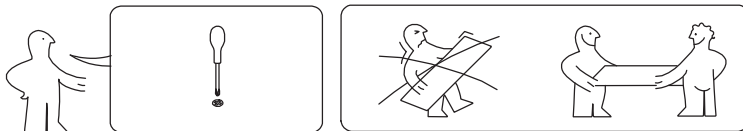
⚠ Not included in package.

- Place the panels on a clean and smooth surface, such as a rug or carpet, to prevent them from being scratched.
- Make sure that all parts in your carton package, including panels and accessories, match up with those listed in the **Panels & Accessories list**.
- Don't tighten screws or bolts until all the pieces are fitted.
- It is recommended to have 2 persons to complete the assembly.

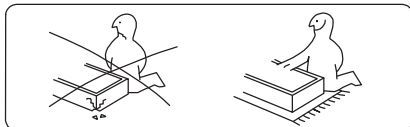
CONTACT US

If you have any issue regarding the product, please contact us

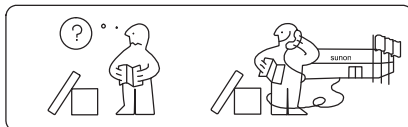
NOTE



① Safe carriage, multi-people are needed.



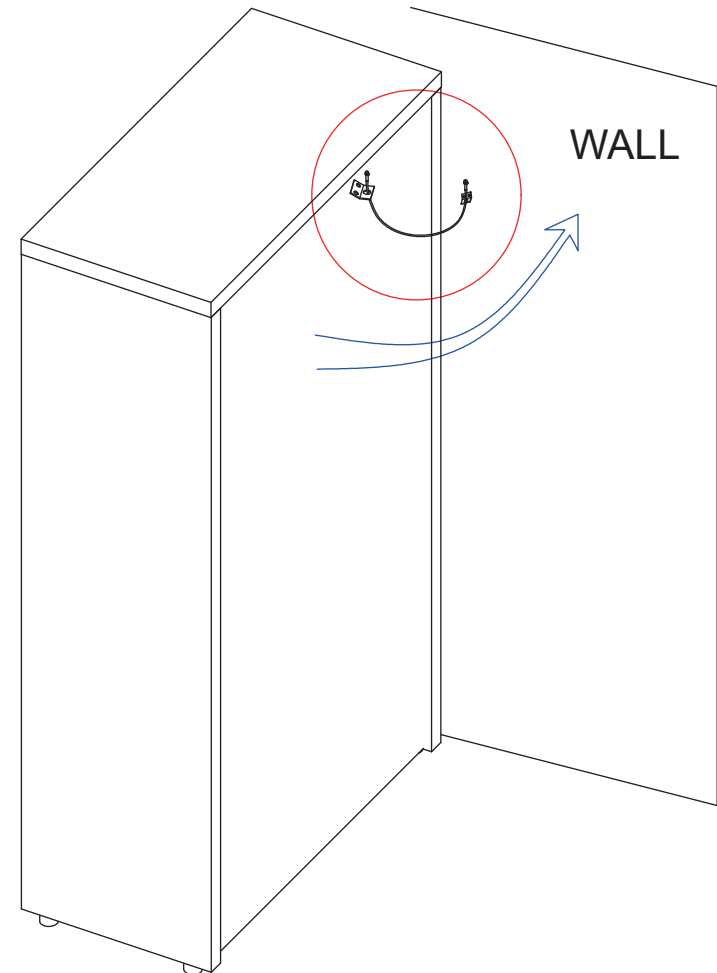
② Handle with care, protective layer is required.



③ In case of any doubts, contact Sunon.

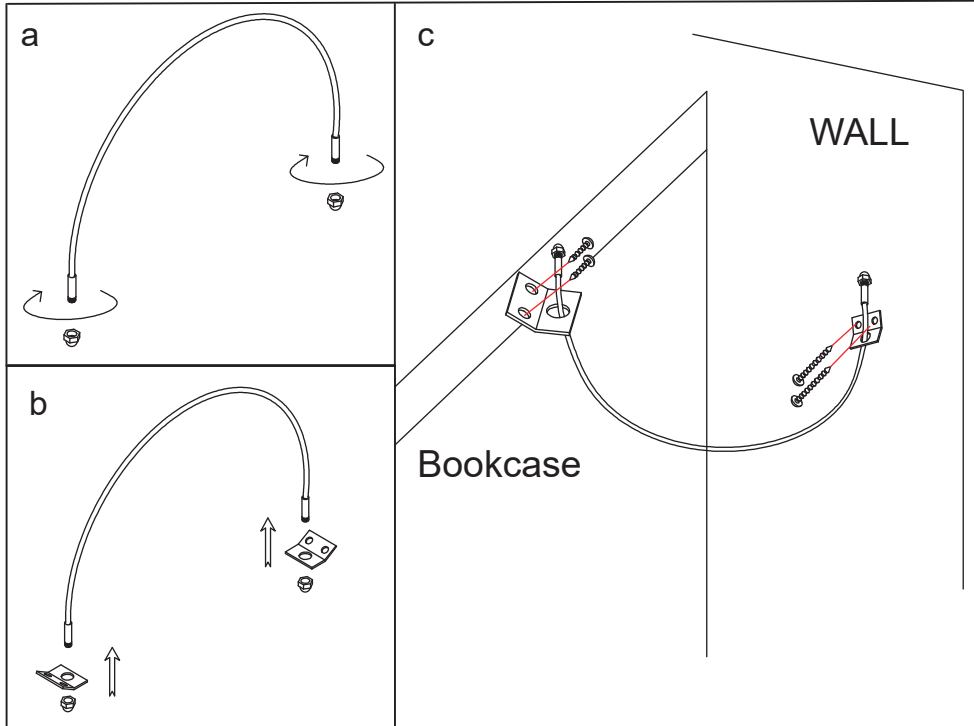
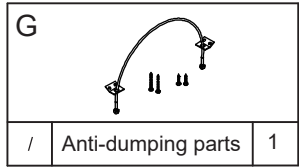
Step 7:

Finished.

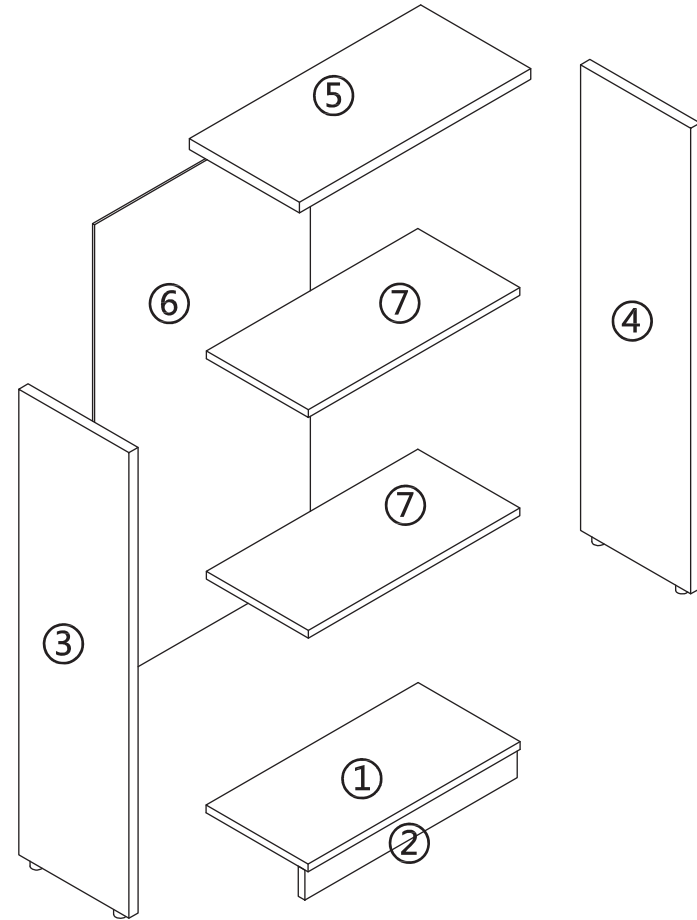


Step 6 :

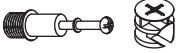
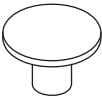

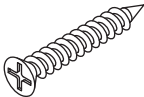


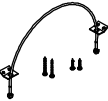
Install the anti-dumping part with wall and bookcase.



Panels List



Accessories List

A 			B 		
∅15*32	Three-in-One Connector	9+2	∅17.8*4.5	GA Cover for Three-in-One Connector	9+2
C 			D 		
∅8*40	Wood Pin	10+2	M3*16	Roundhead Self-tapping Screw	5+2
E 			F 		
M8*21	GA Adjusting Pin	4	/	GA Shelf Support	8+2
G 					
/	Anti-dumping parts	1			

IMPORTANT:

FUNCTION OF KLIX CAM





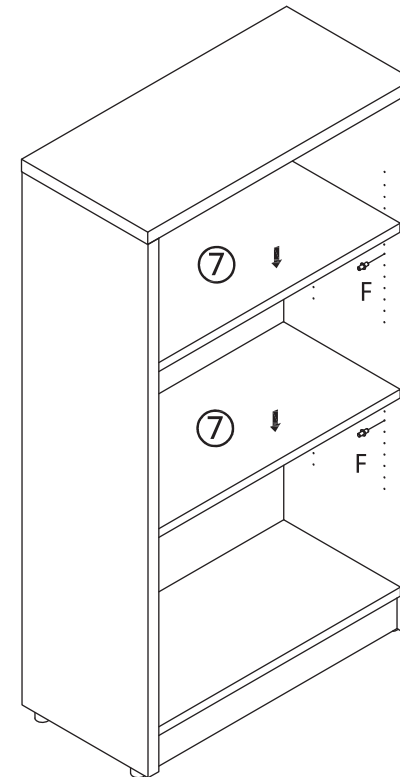
1/4 RIGHT
TURN FOR
LOCKING

MAKE SURE THE ARROW IS
POINTING UPWARDS BEFORE
INSERTING INTO THE PANEL'S HOLE

Step 5:


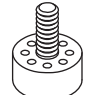
Install the movable shelf boards and the cover stickers.

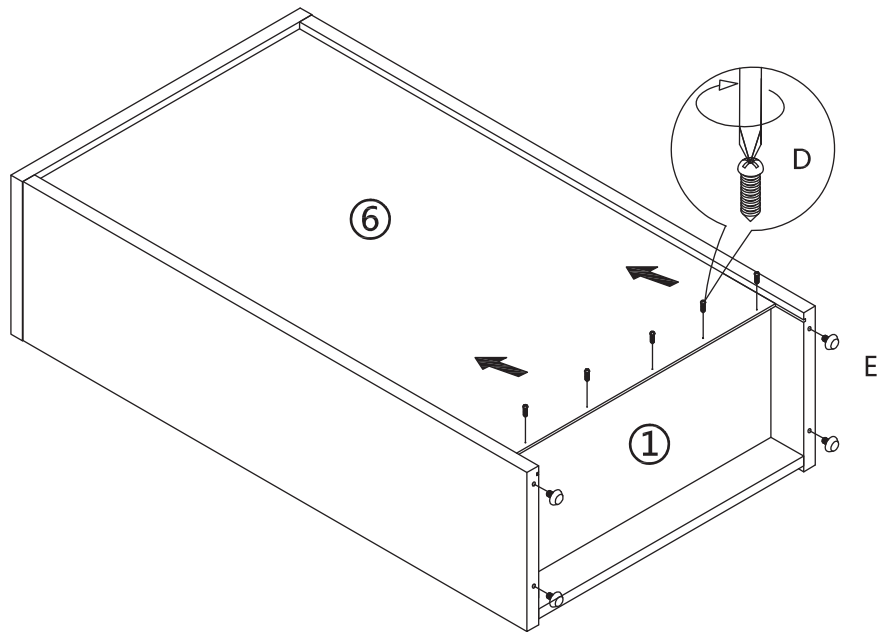
F 			B 		
∅5*15	Movable Shelf Support	8		Cover for Three-in-One Connector	9



Step 4:

Install the back board and the adjustable pins.

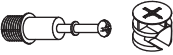
D		E			
M3*16	Roundhead Self-tapping Screw	5	M8*20	Adjusting Pin	4

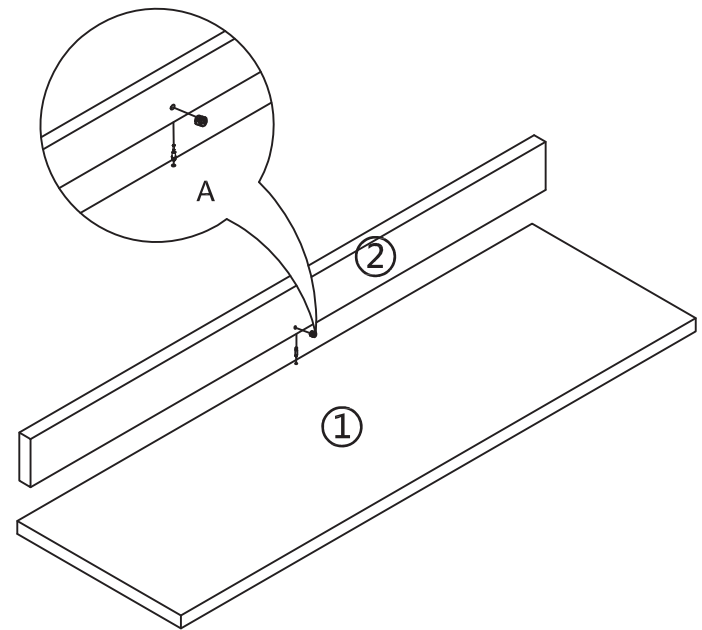


Assembly Instructions

Step 1:

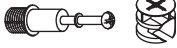
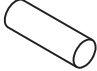
Assemble the bottom board and strip leg.

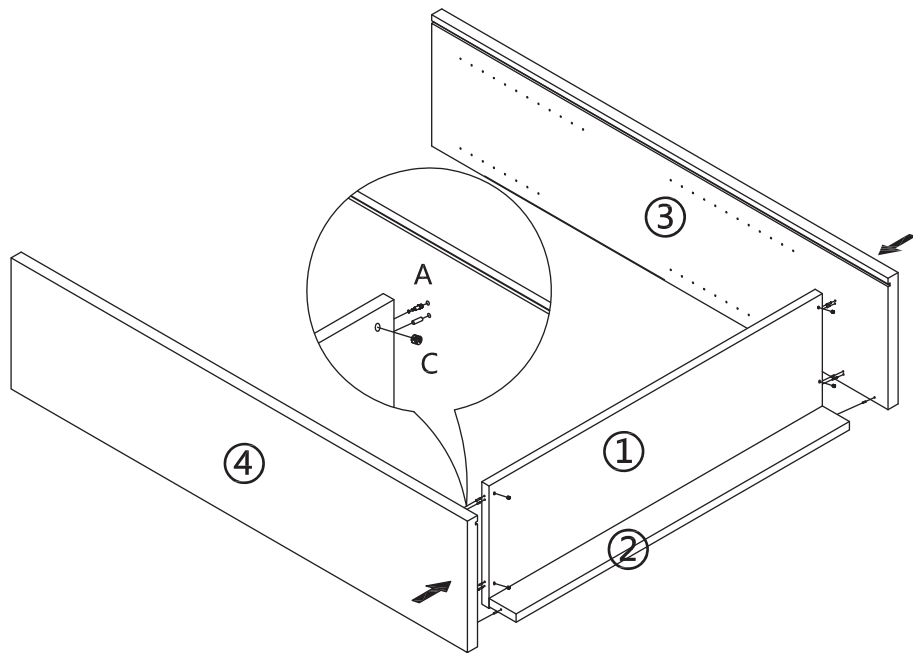
A		
φ15*32	Three-in-One Connector	1



Step 2:

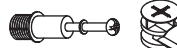

Assemble the side boards and bottom board.

A		C		
				
φ15*32	Three-in-One Connector	4	Wood Pin	6



Step 3:

Install the top board.

A		C		
				
φ15*32	Three-in-One Connector	4	Wood Pin	4

