


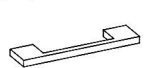







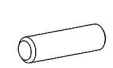
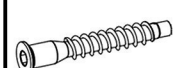



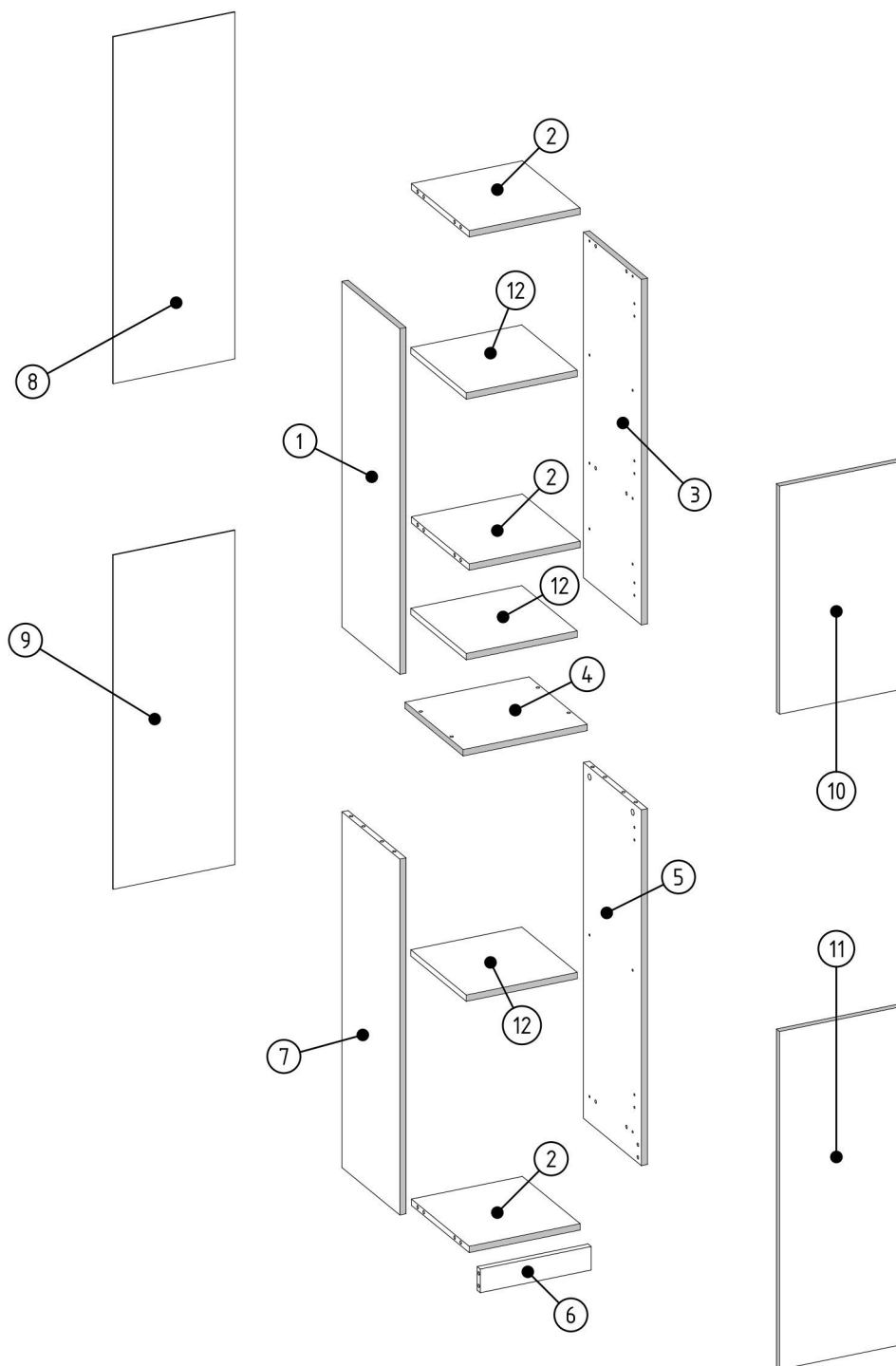

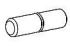



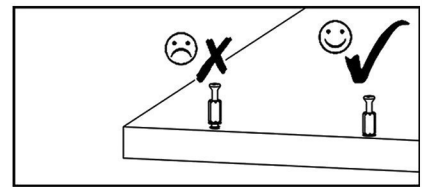
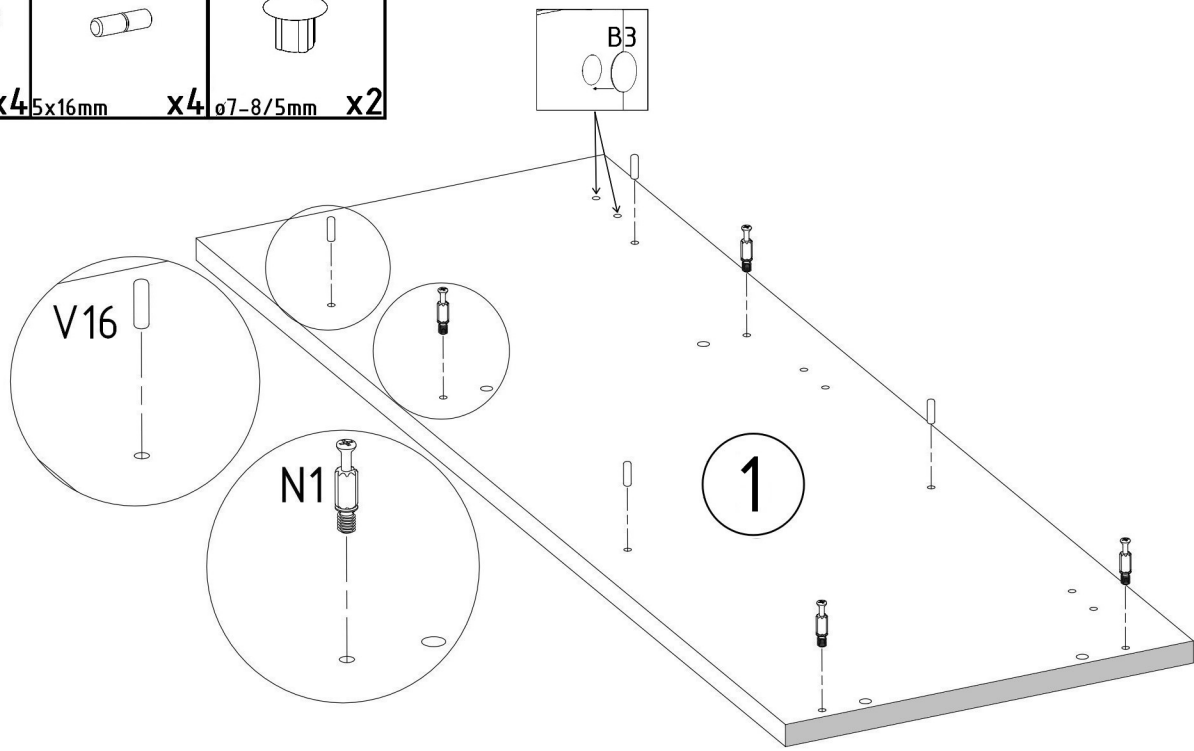
B3  B ø7-8/5mm x4	B3  S-A ø7-8/5mm x4	S2  L=96/137mm x4	U3  L=96/137mm x2	V13  x1	T1  x4	A1  ZP x4	S1  3,5x16mm x8
B1  B ø17/5-4mm x8	B1  S-A ø17/5-4mm x8	M1  12x15mm x16	E1  8x30mm x20	F1  7x50mm x4	F3  x1	Z1  x75	V15  x5





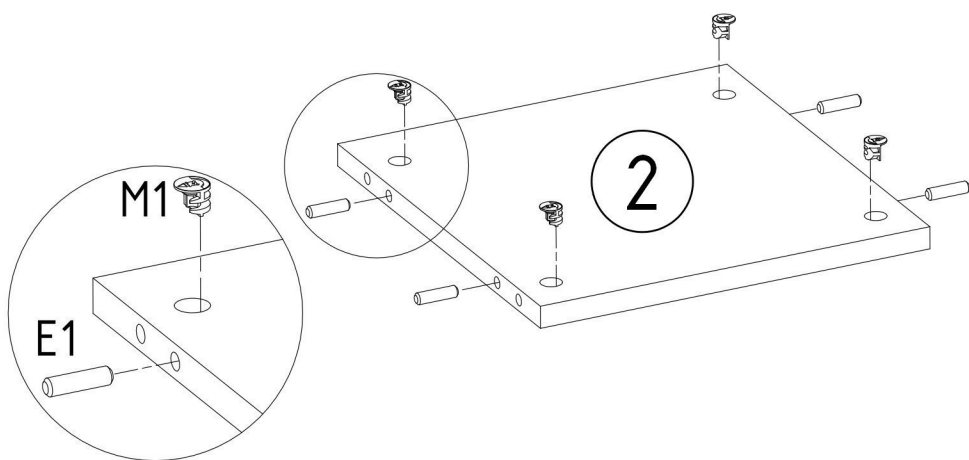
1	x	1
2	x	3
3	x	1
4	x	1
5	x	1
6	x	1
7	x	1
8	x	1

9	x	1
10	x	1
11	x	1
12	x	3

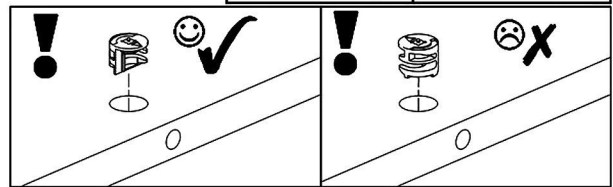
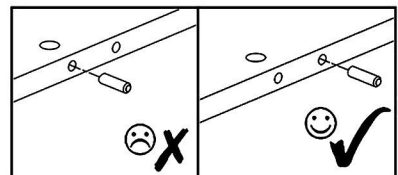
<p>N1</p>  <p>L=35mm x4</p>	<p>V16</p>  <p>5x16mm x4</p>	<p>B3</p>  <p>ø7-8/5mm x2</p>
---	---	---


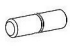



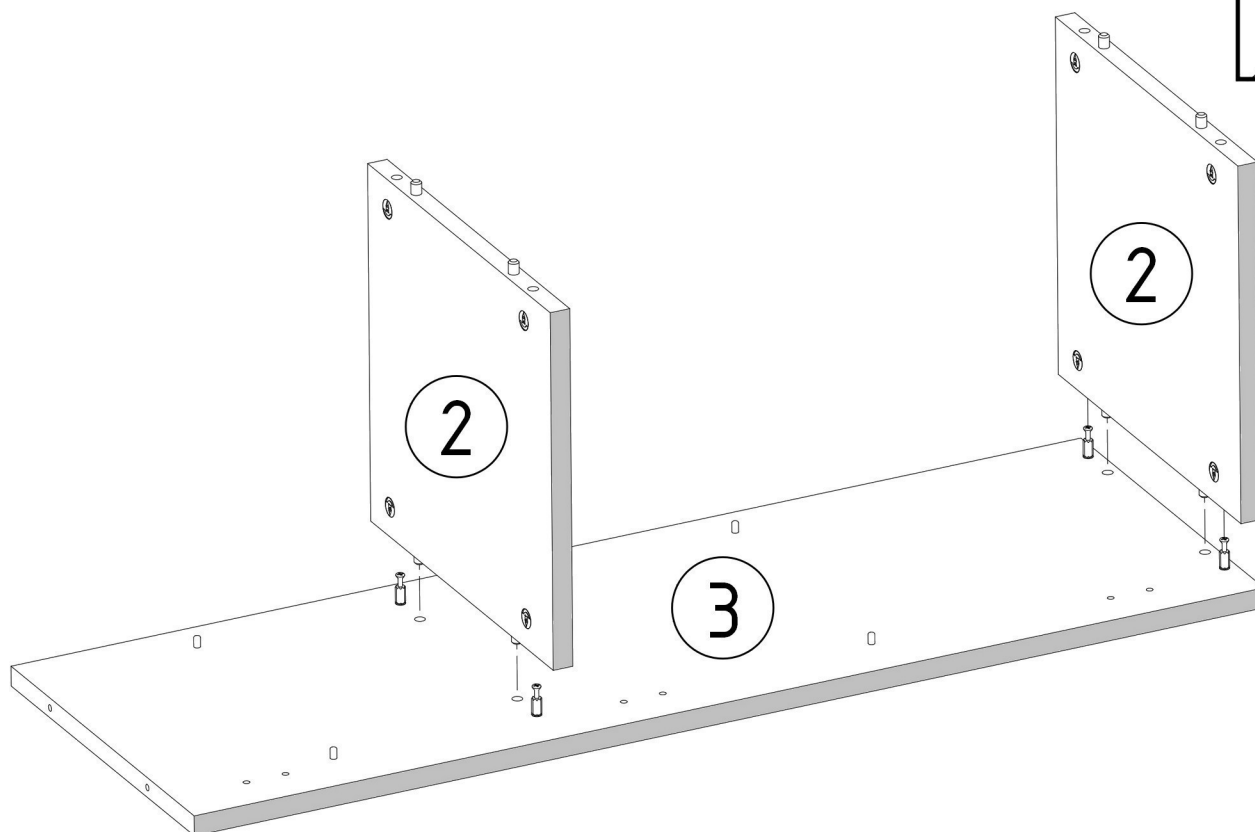
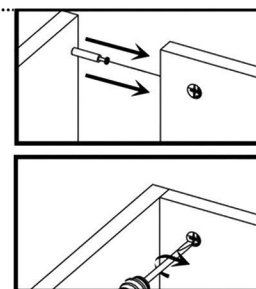
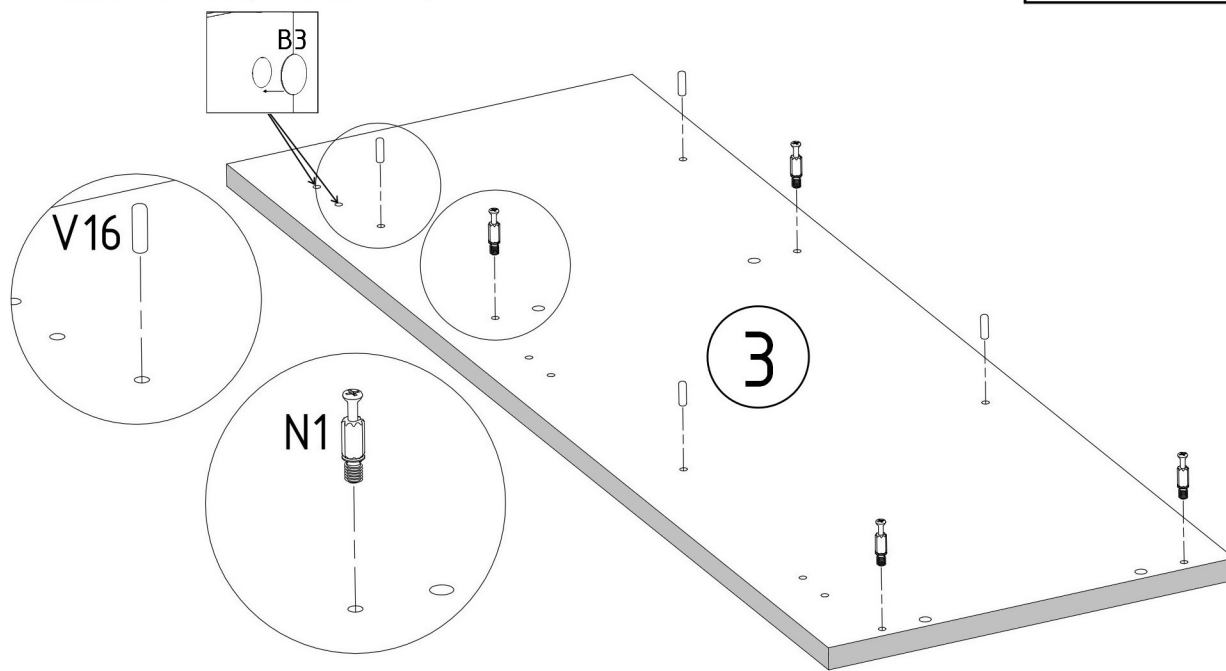
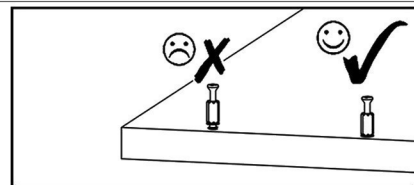
<p>M1</p>  <p>12x15mm x12</p>	<p>E1</p>  <p>8x30mm x12</p>
---	---

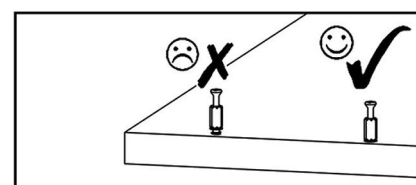
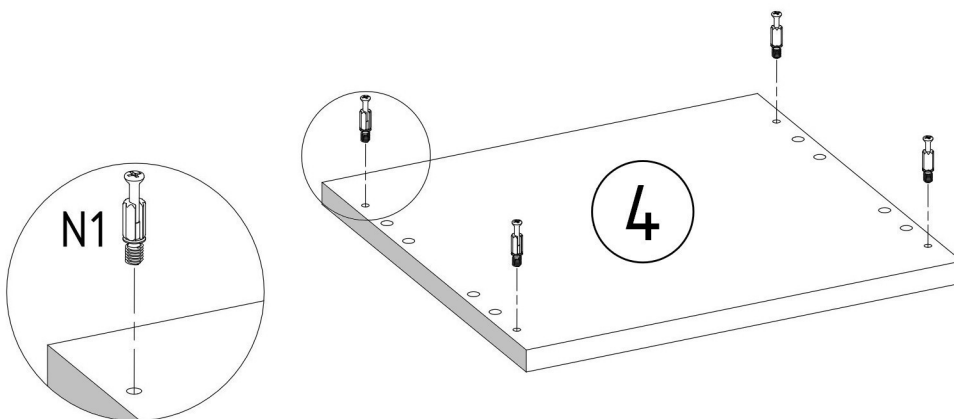
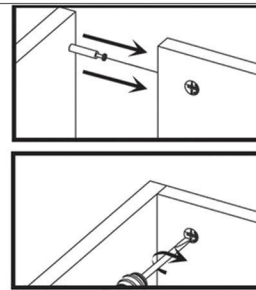
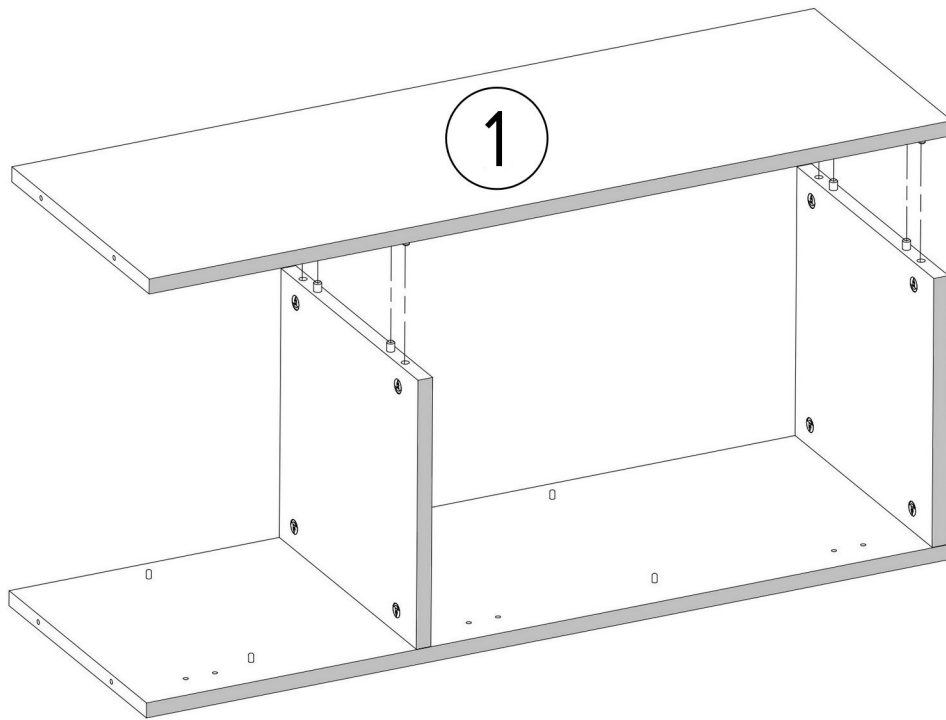


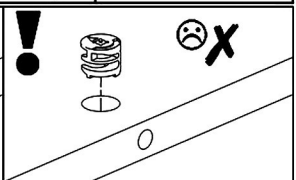
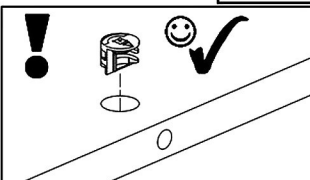
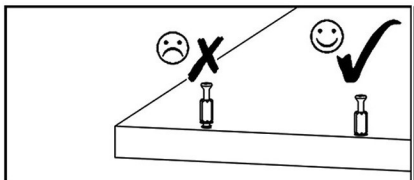
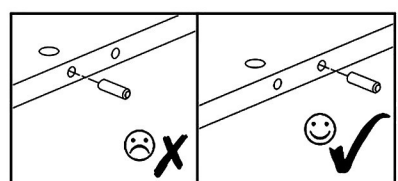
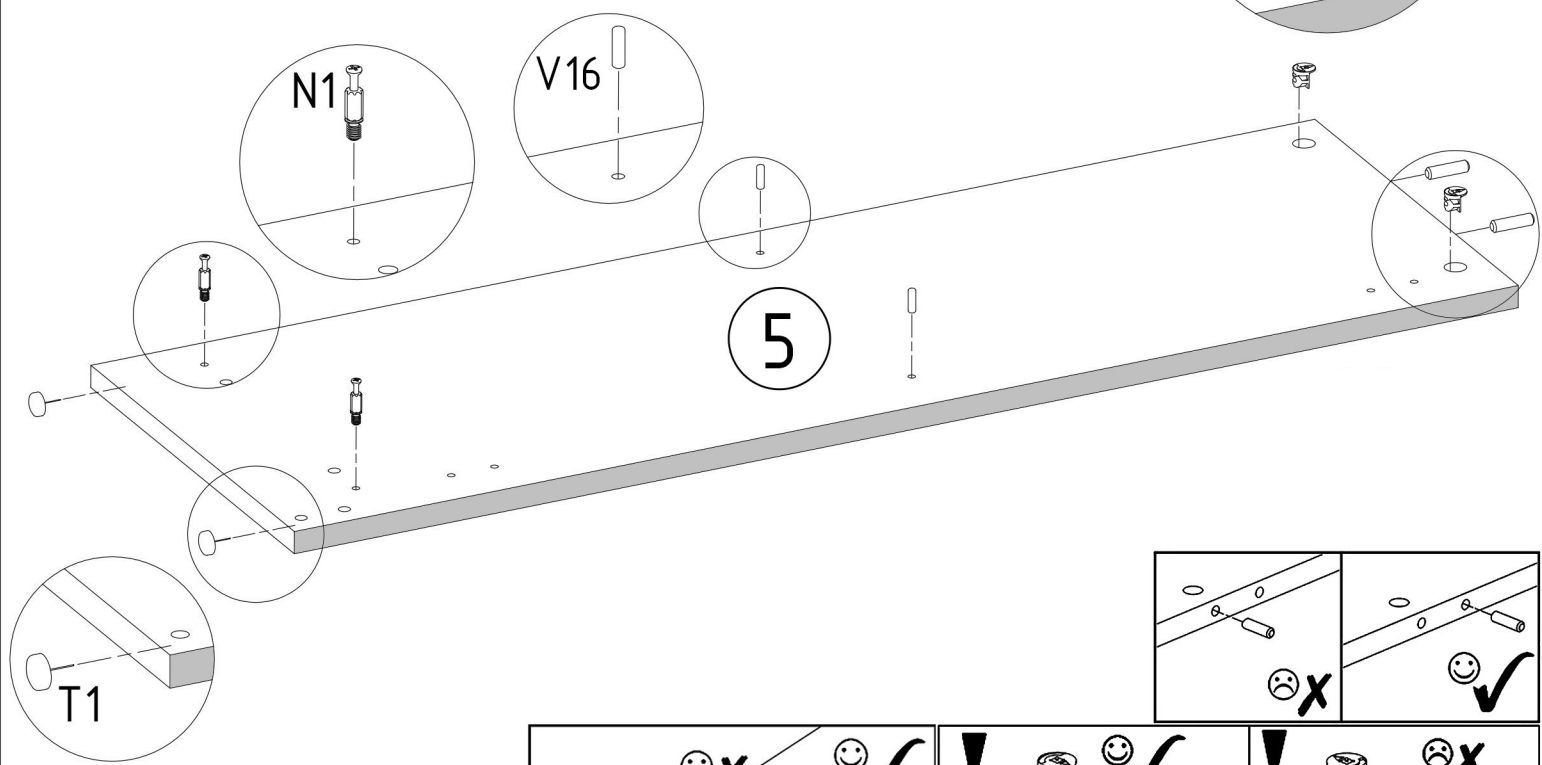
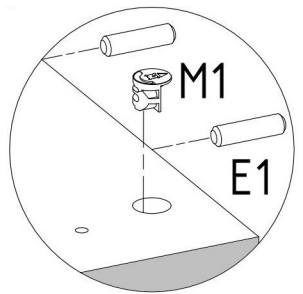
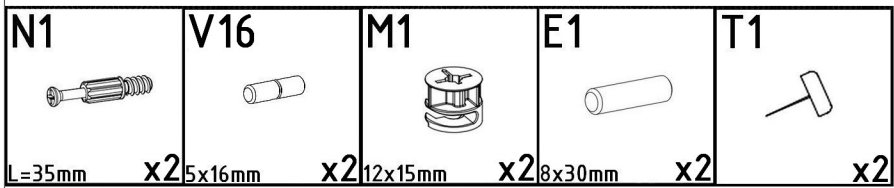
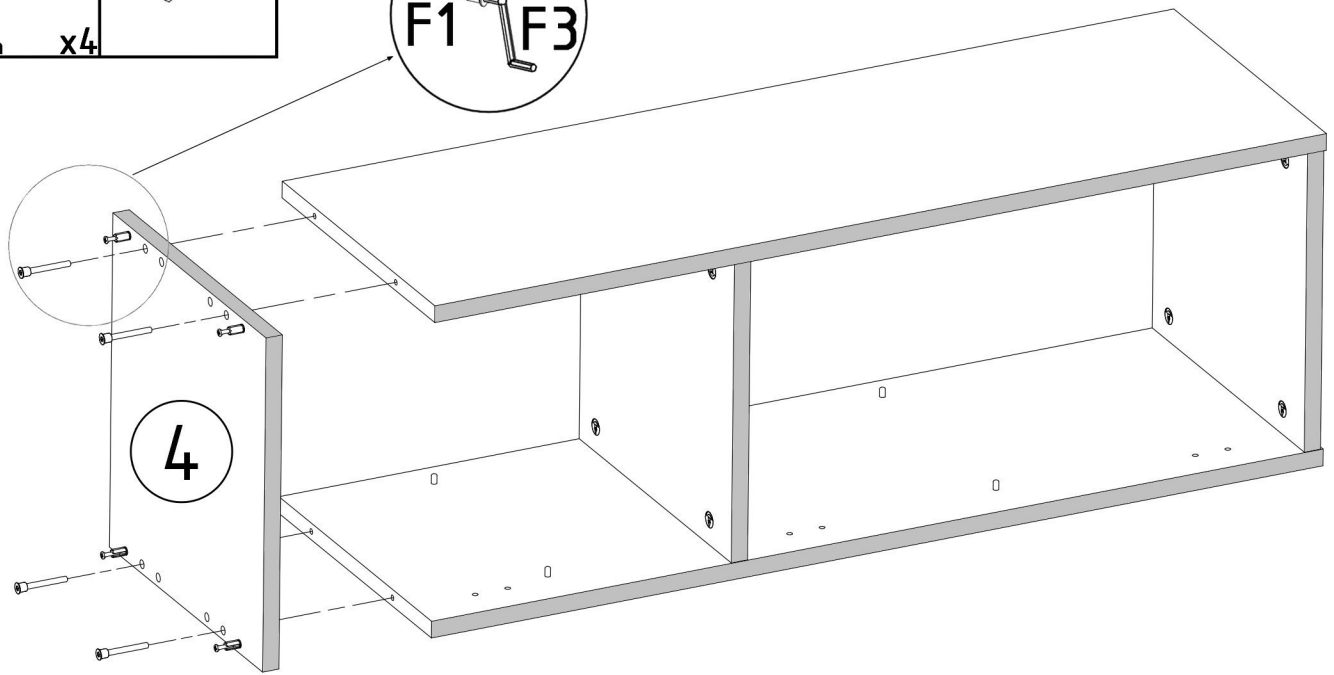
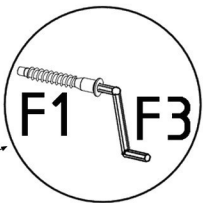
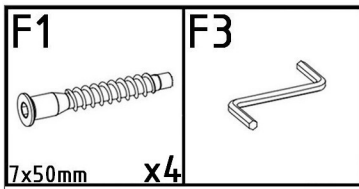
x3


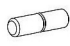





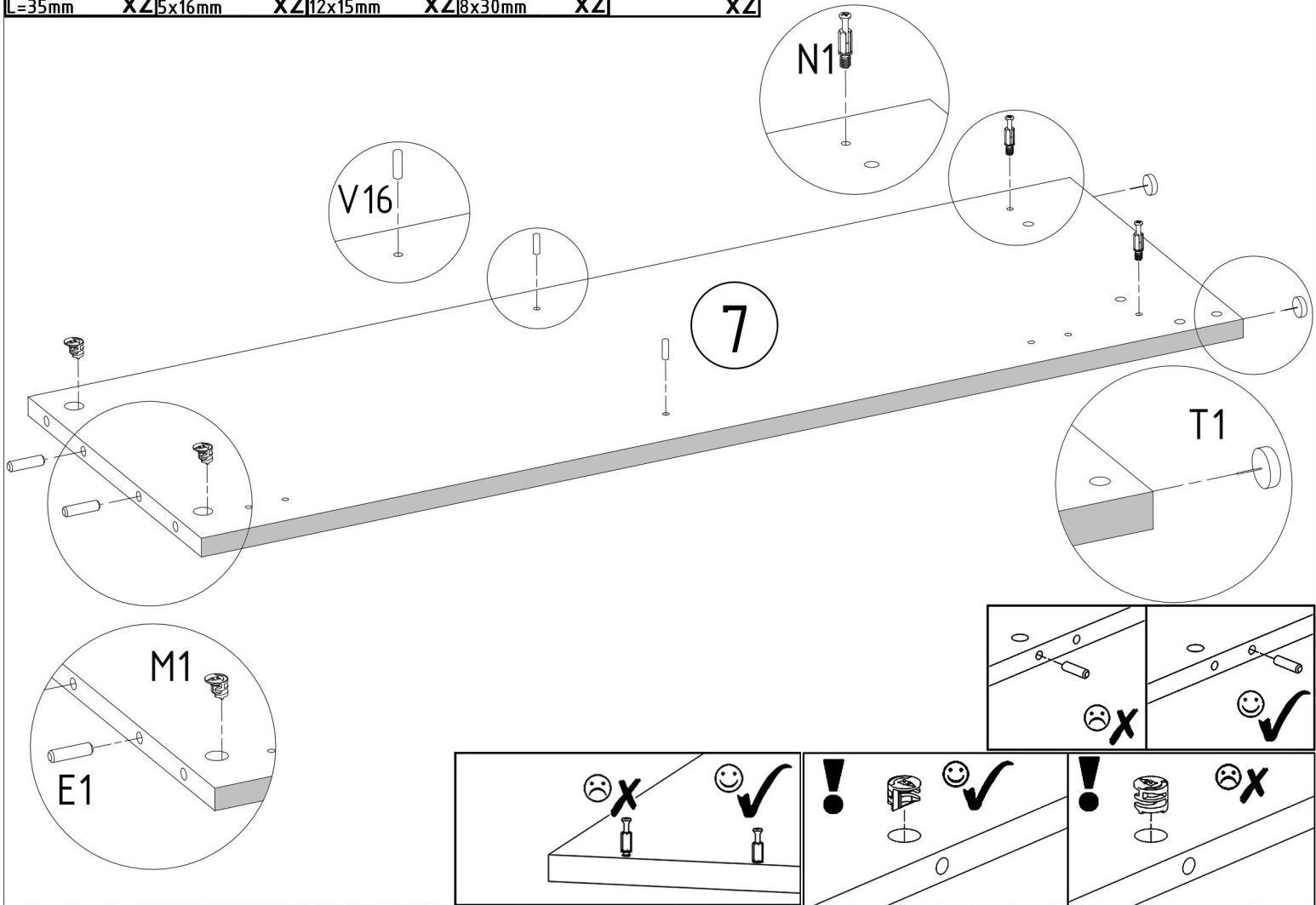
N1  L=35mm	V16  x4 5x16mm	B3  x4 ø7-8/5mm x2
---	--	---




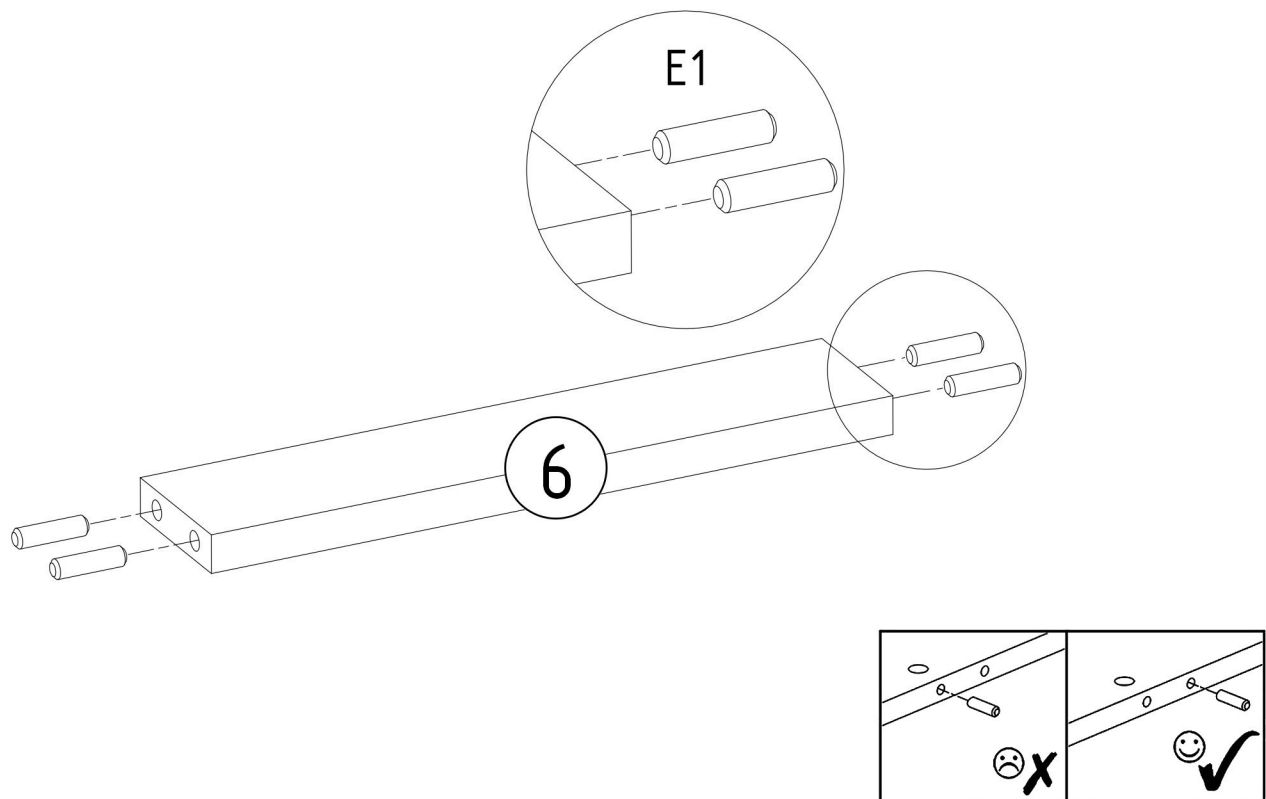


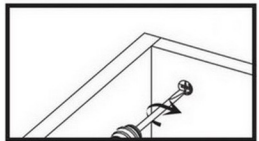
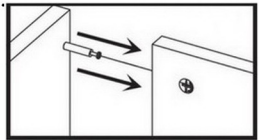
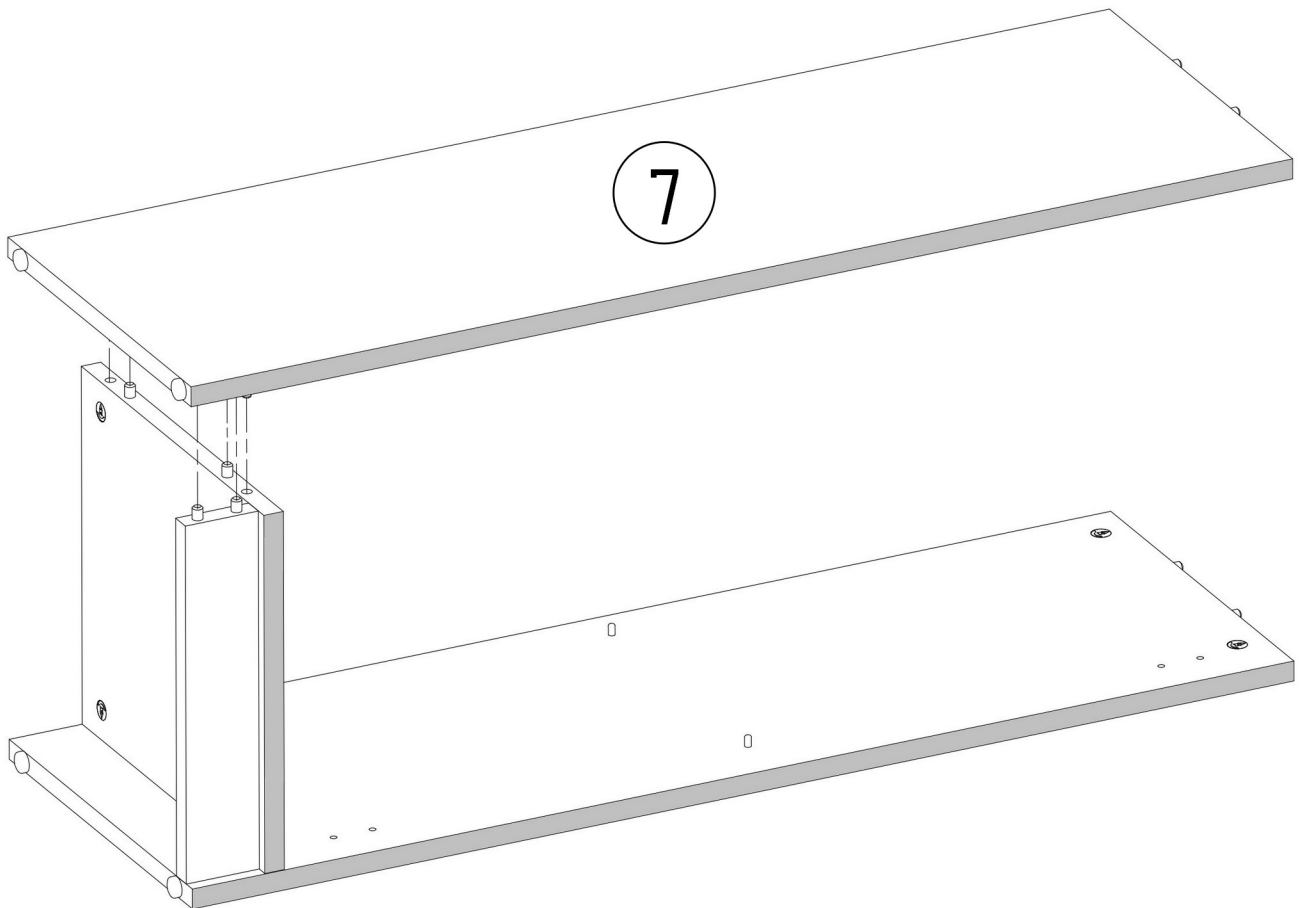
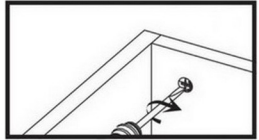
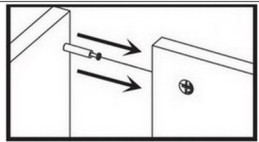
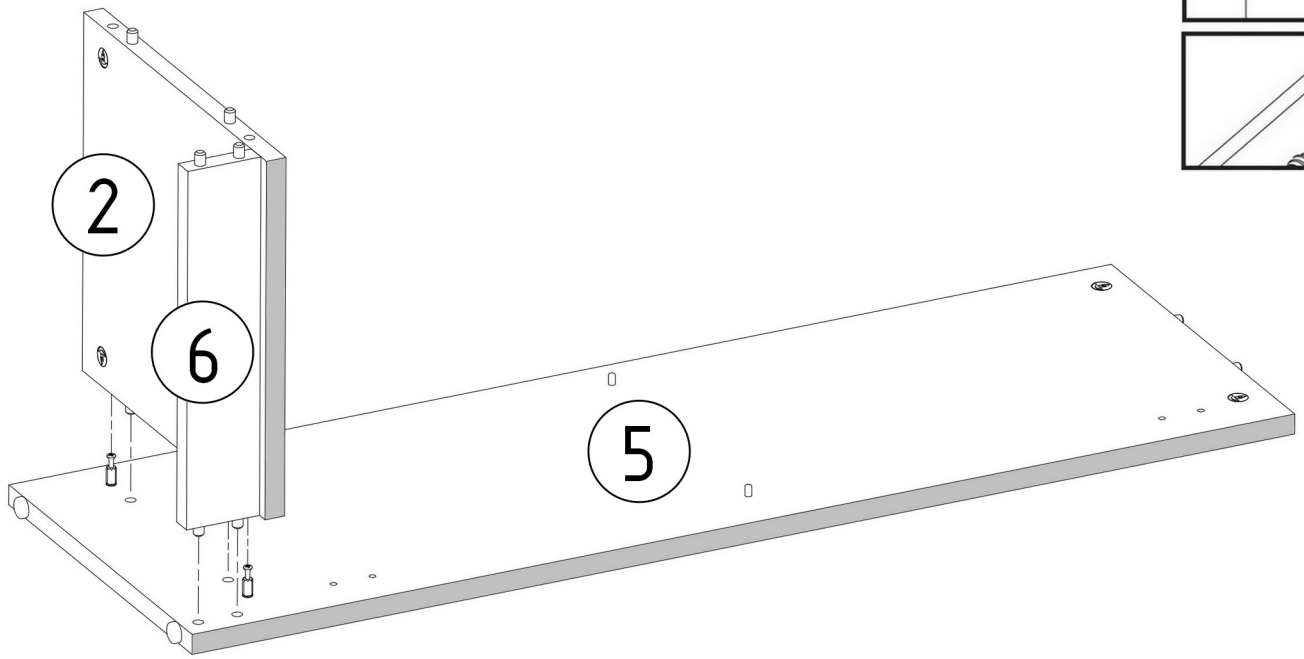


N1  L=35mm x2	V16  5x16mm x2	M1  12x15mm x2	E1  8x30mm x2	T1  x2
--	--	--	---	--




E1  8x30mm x4
--

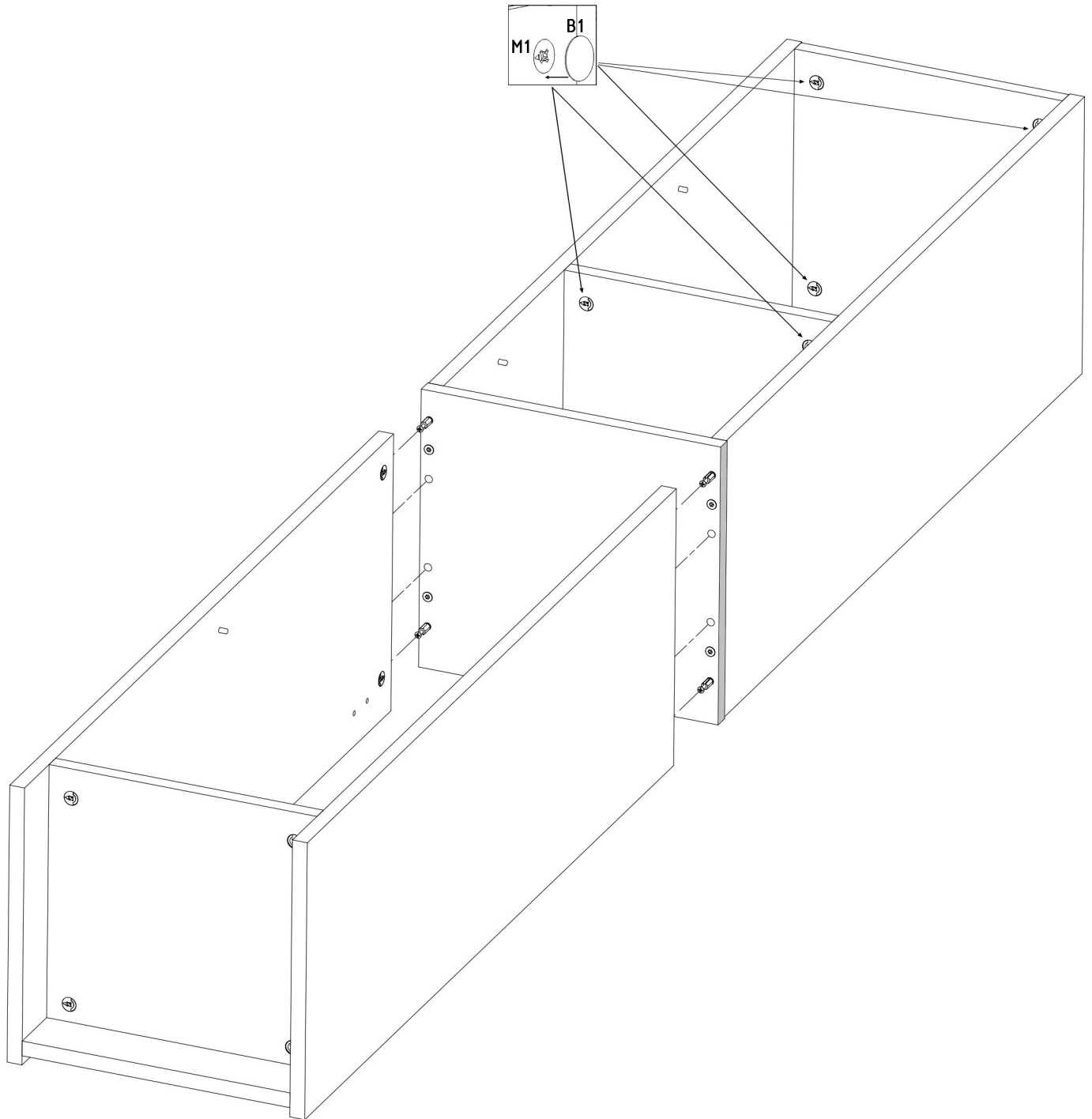
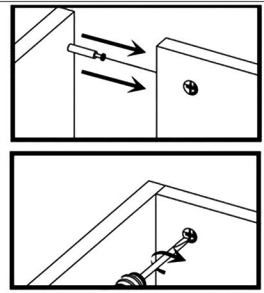






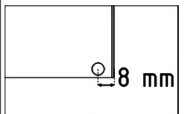
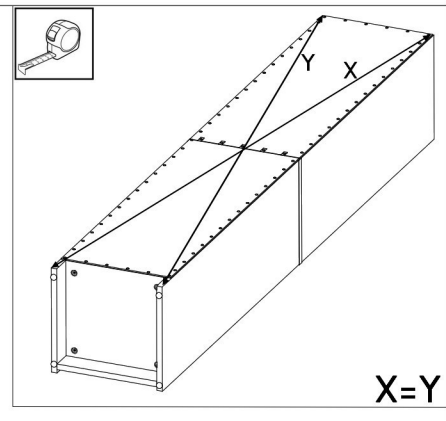
B1



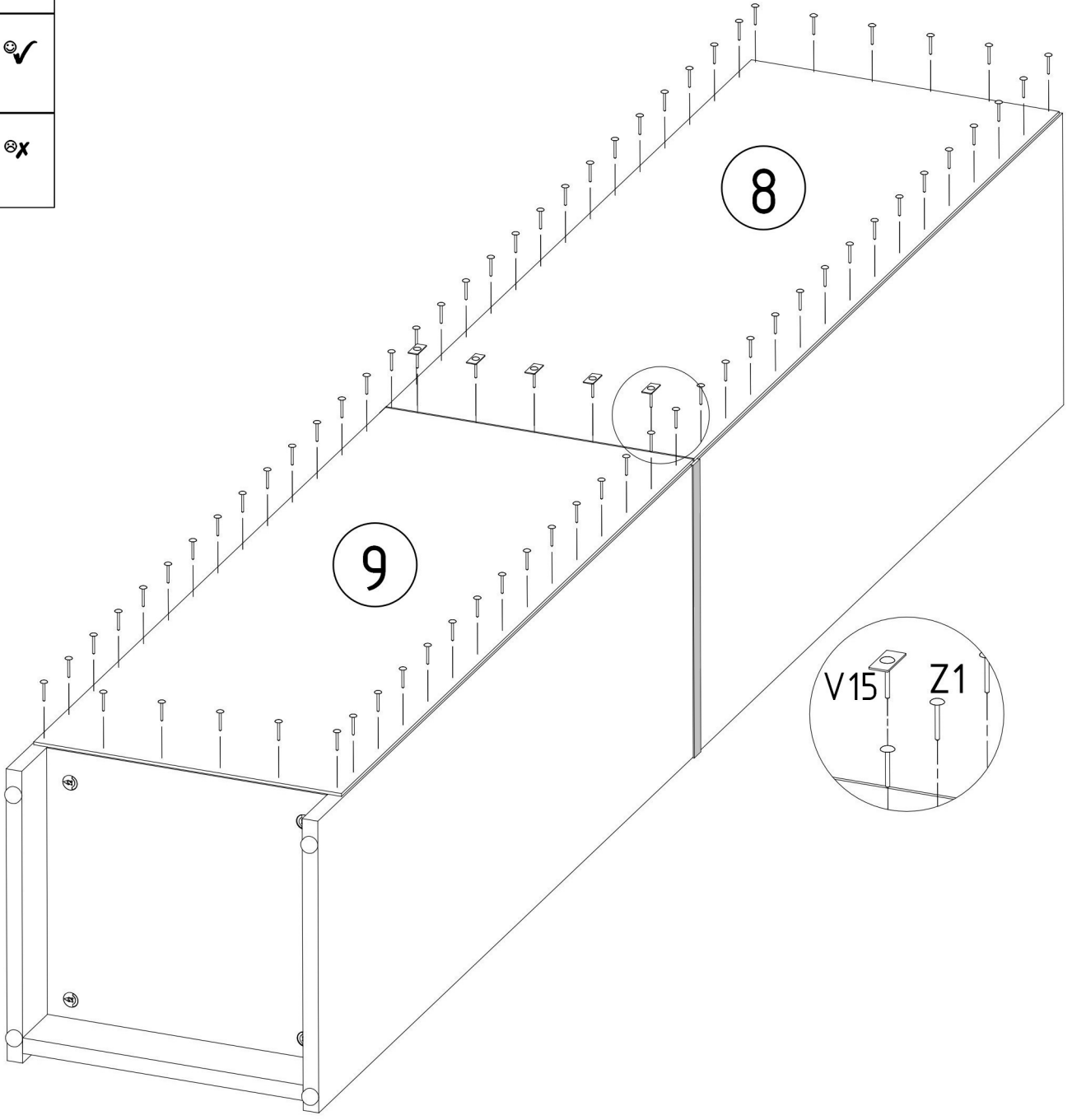
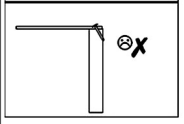
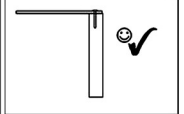
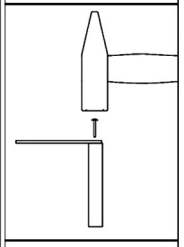
ø17mm x8





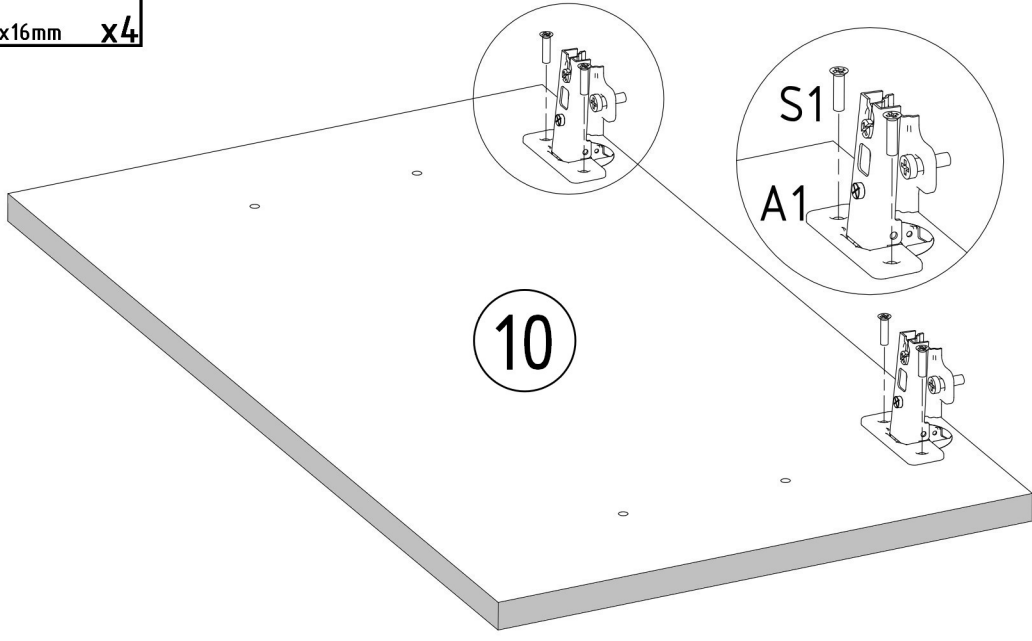
Z1  x75	V15  x5
--	---





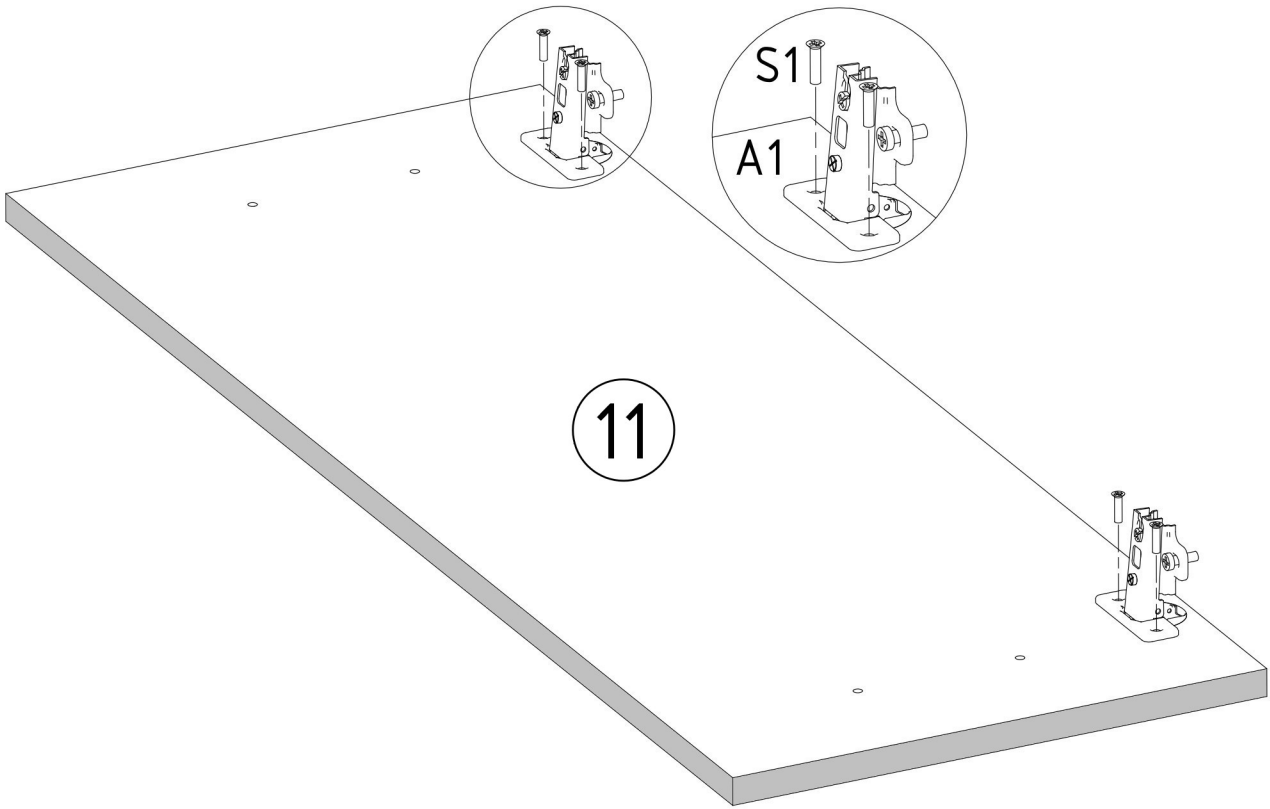
8 mm





A1 	S1 
ZP	x2 3,5x16mm x4



A1 	S1 
ZP	x2 3,5x16mm x4

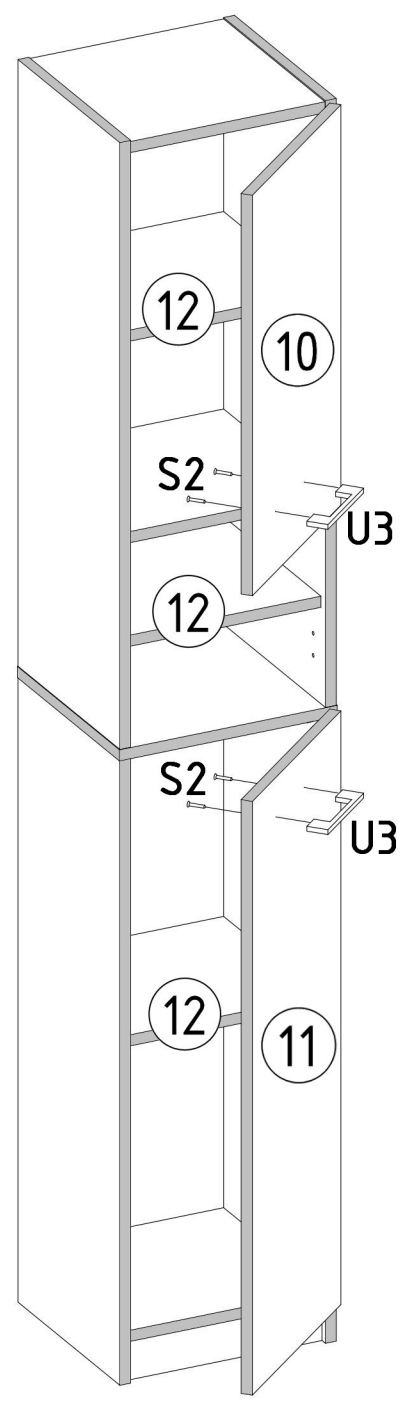
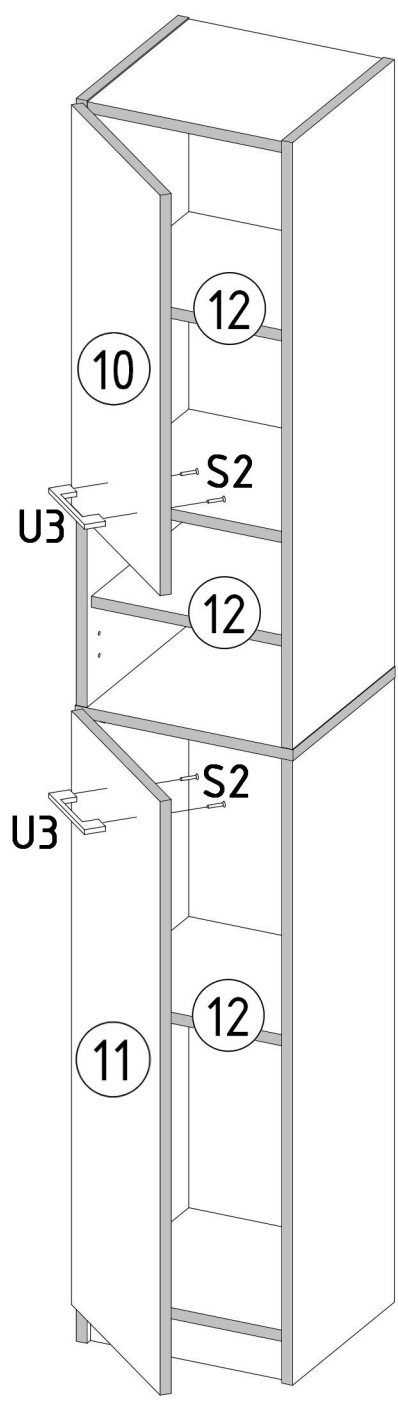
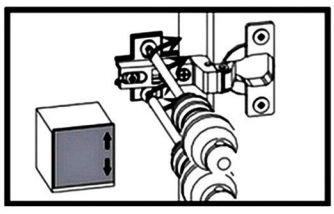
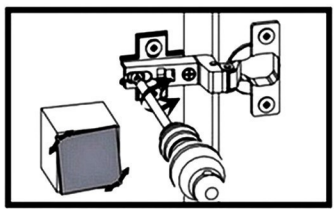
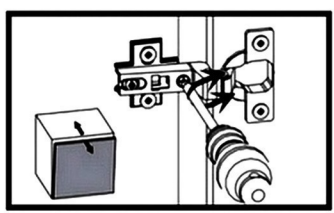
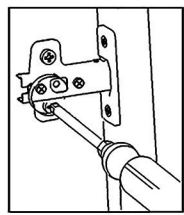
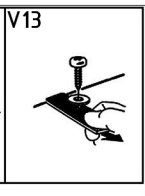
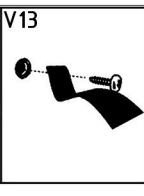
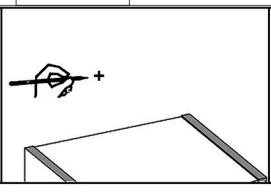


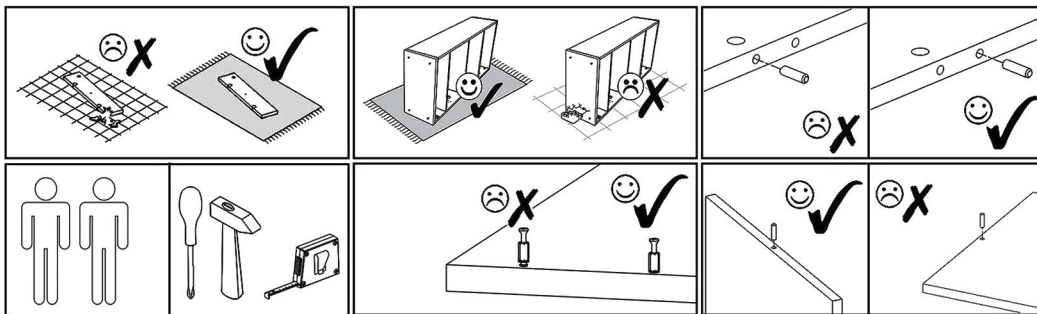
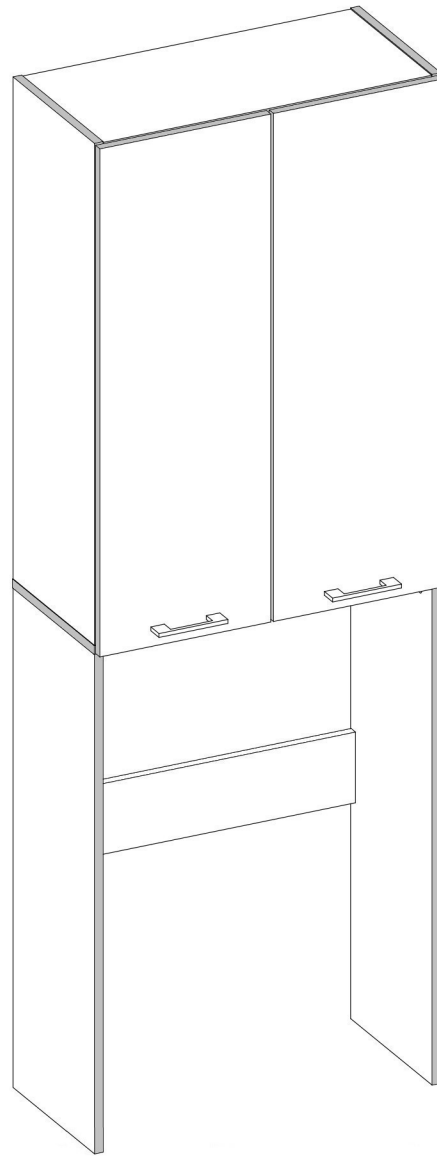
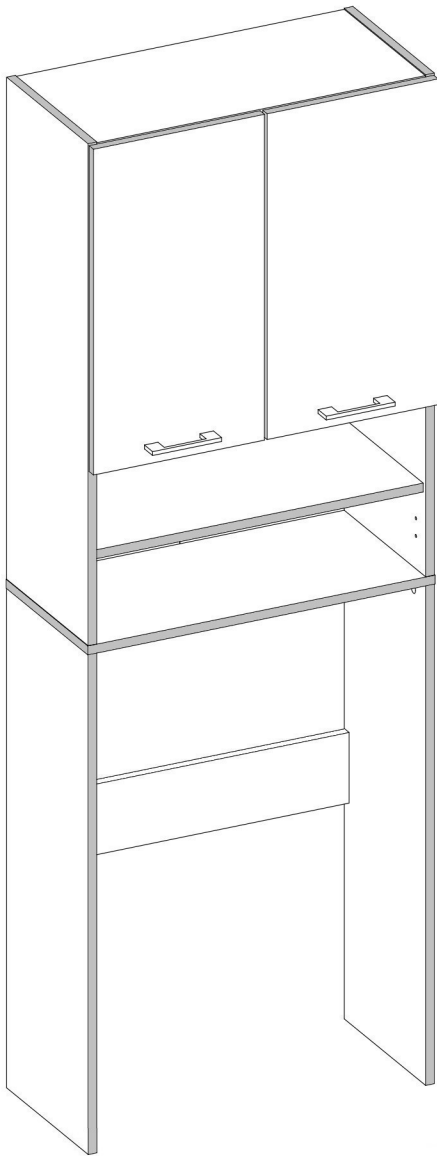
S2

4x27 mm x4













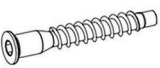
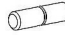
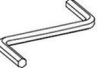
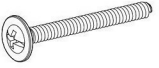



U3

L=96/137mm x2

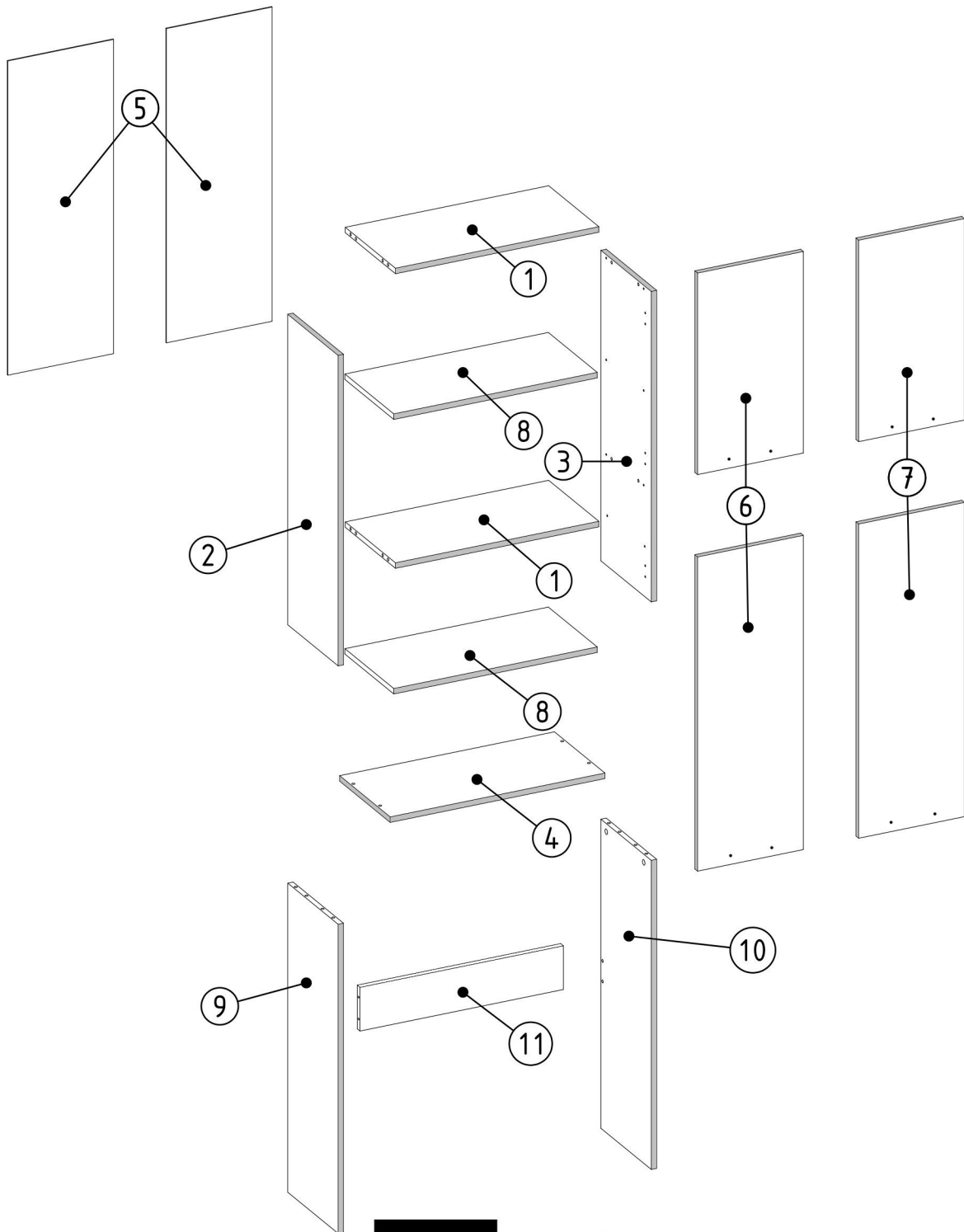
V13

x1


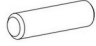


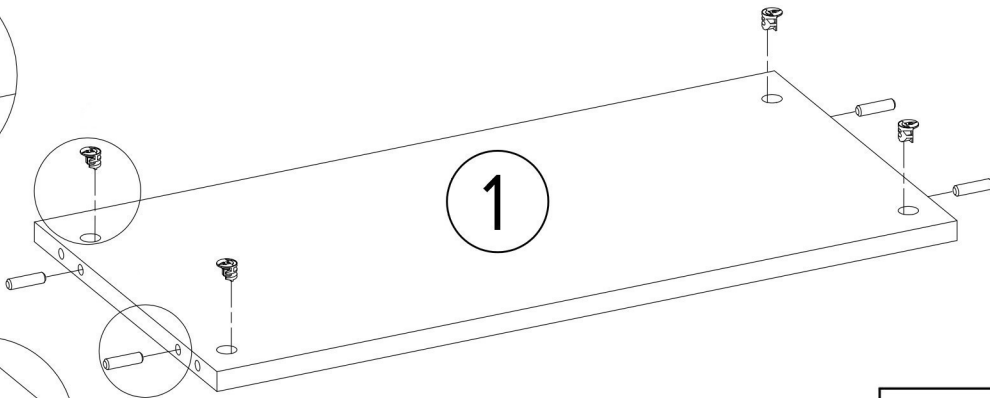
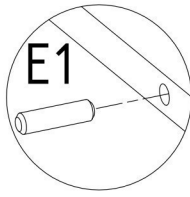
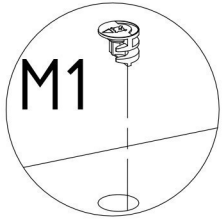


F2  x8 ø12 mm B,S-A	L1  x4 L=860mm	T1  x4						
N1  L=35mm x12	M1  12x15mm x12	A1  ZP x4	S1  3,5x16mm x8	E1  8x30mm x12	M2  ø16mm B,S-A x8	U3  L=96/137mm x2	K1  x1	
Z1  x60	F1  7x50mm x8	K7  5x16mm x8	F3  x1	S5  4x27 mm x4	F5  ø5mm B,S-A x4	Z3  x2	S4  4x30 mm x6	

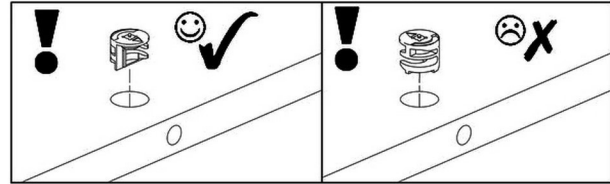
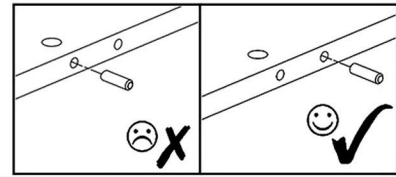



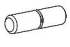
1	x	2		
2	x	1		
3	x	1		
4	x	1	9	x 1
5	x	2	10	x 1
6	x	1	11	x 1
7	x	1		
8	x	2		

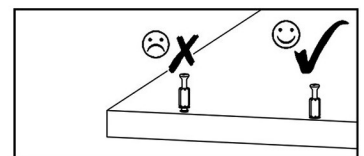
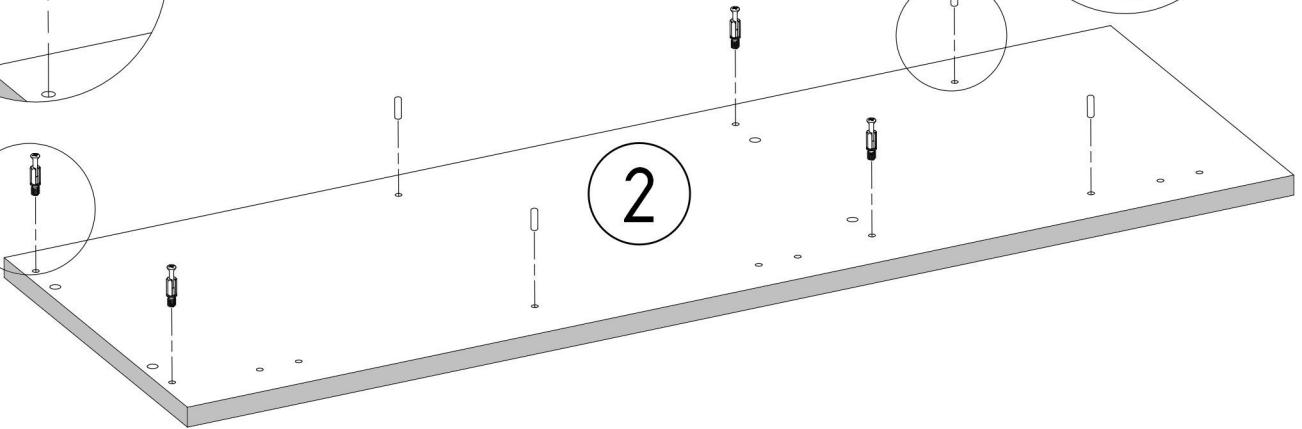
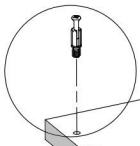
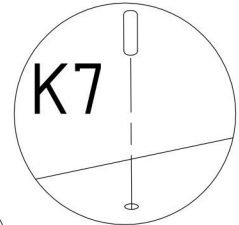
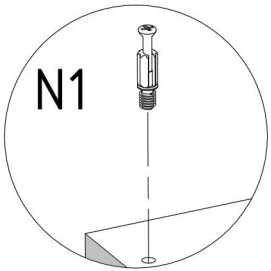
M1  12x15mm x8	E1  8x30mm x8
--	--


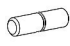


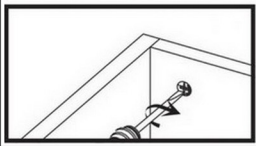
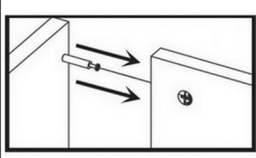
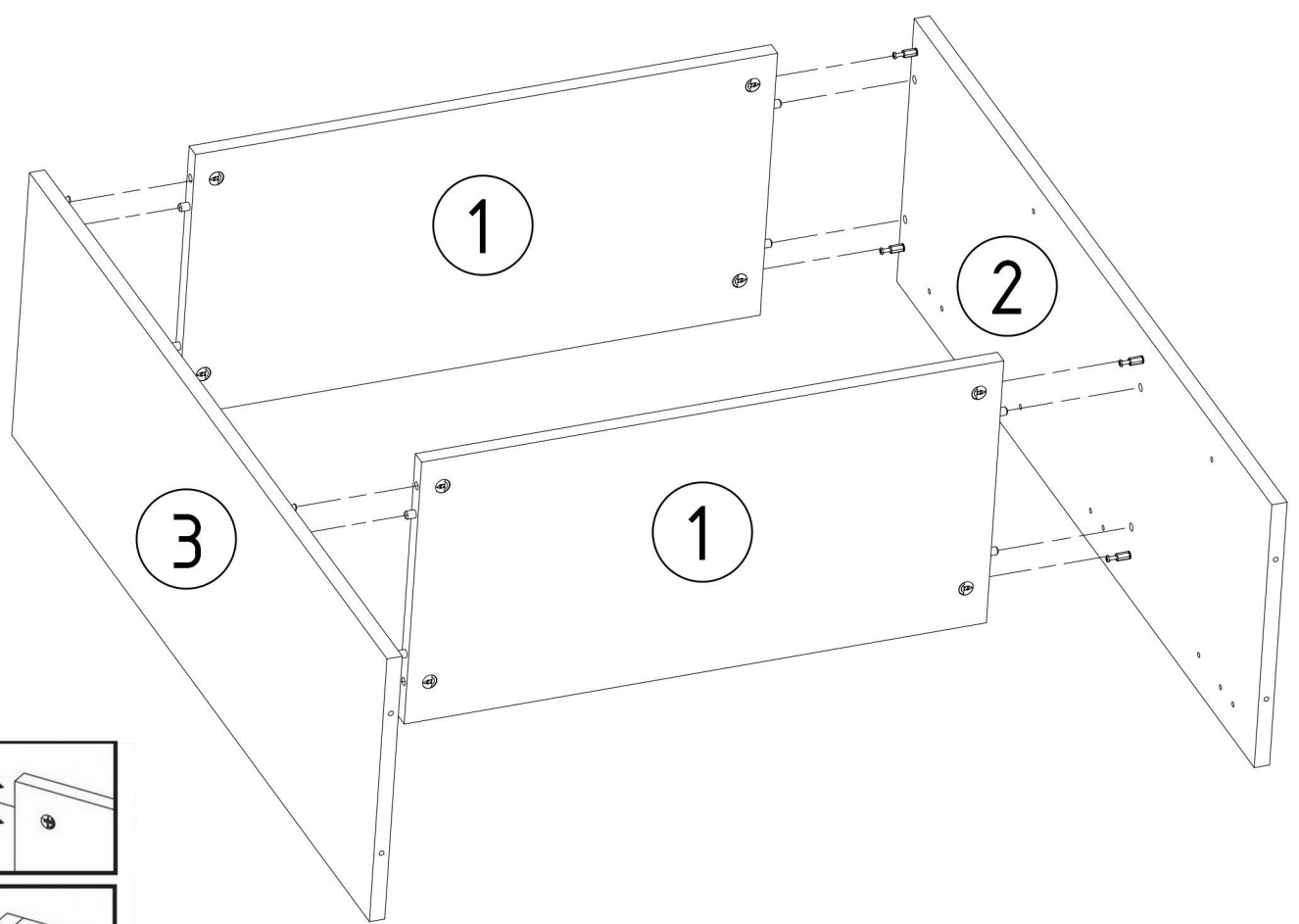
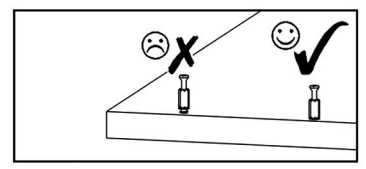
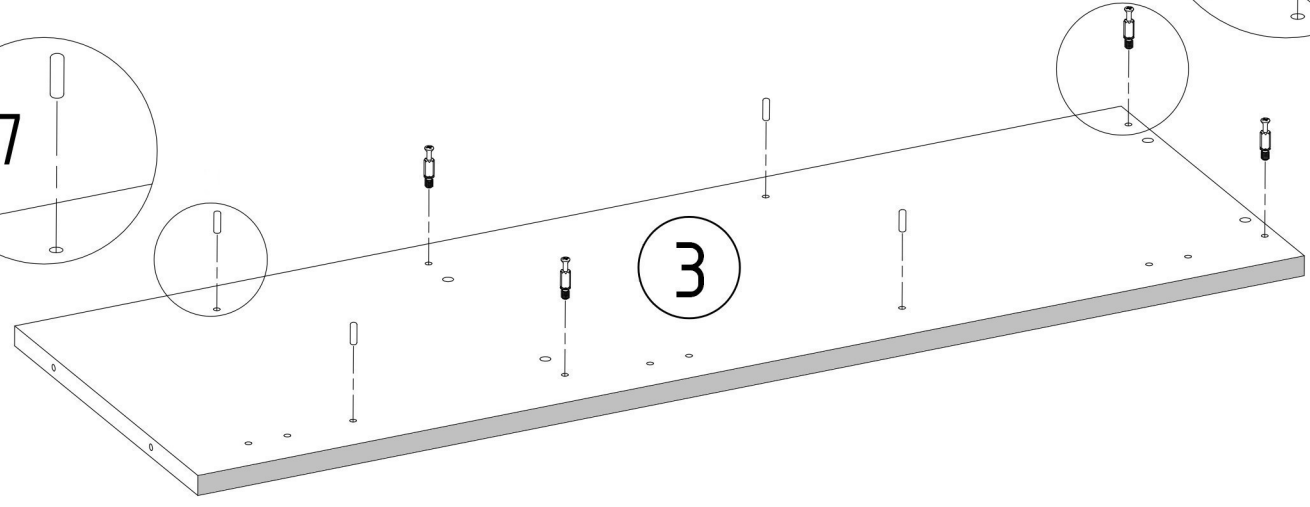
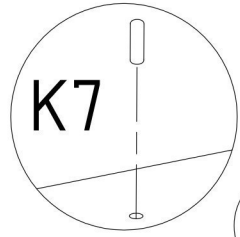
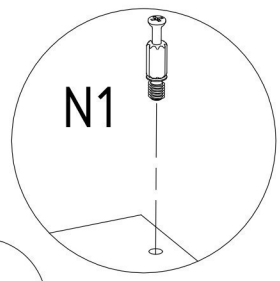
x2




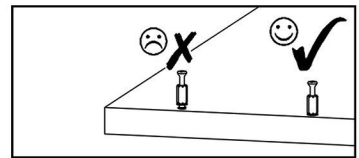
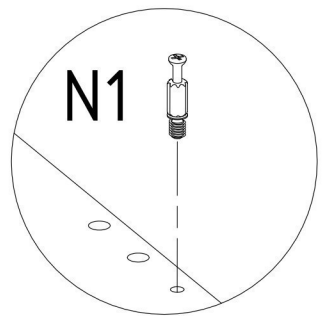
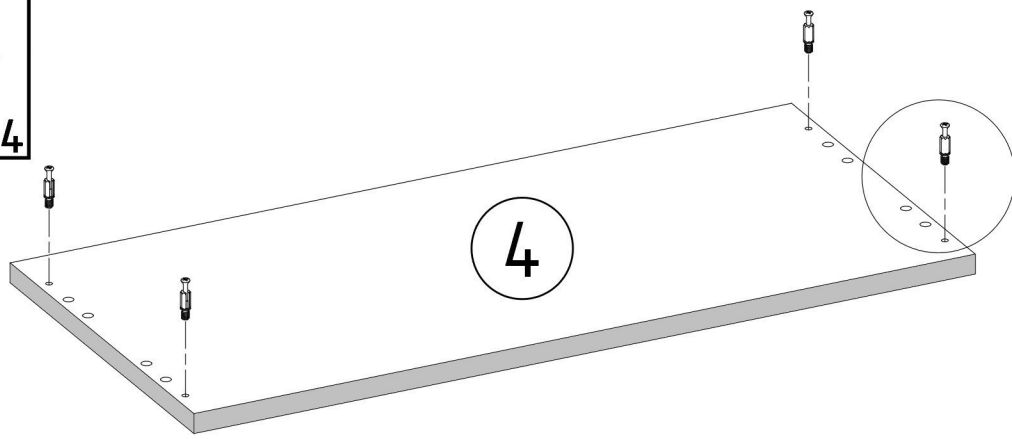
N1  L=35mm x4	K7  5x16mm x4
---	--

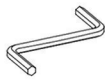


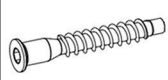
N1  L=35mm X4	K7  5x16mm X4
---	--




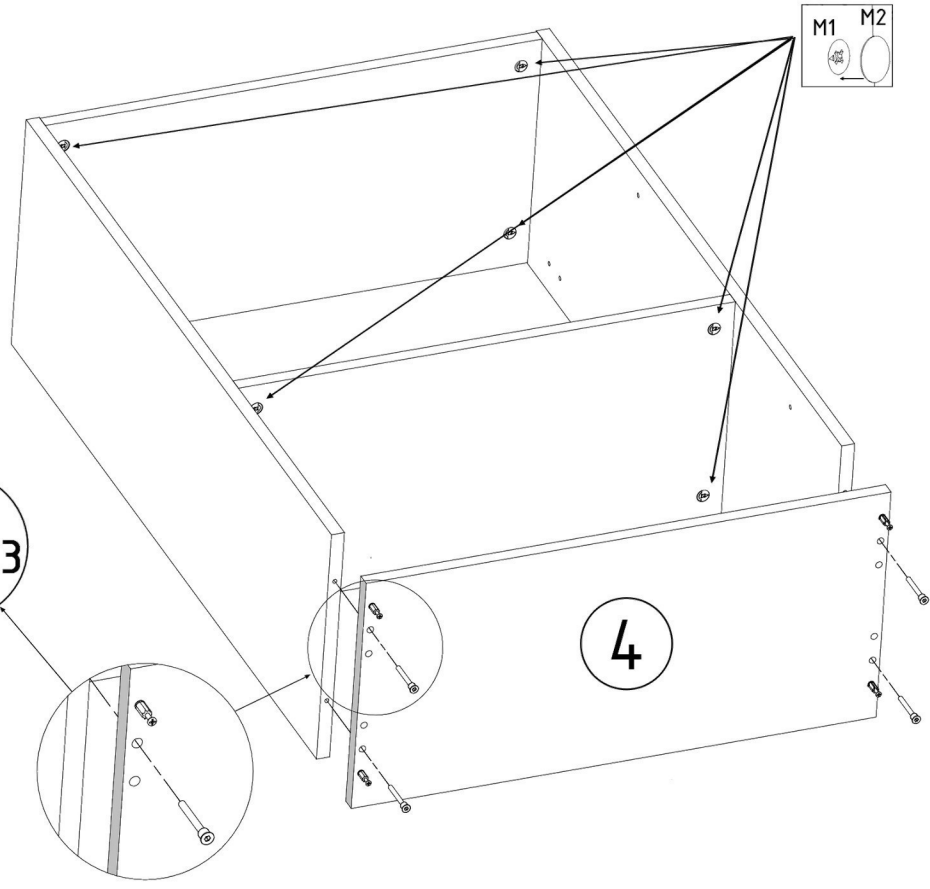
N1

L=35mm **x4**






F3


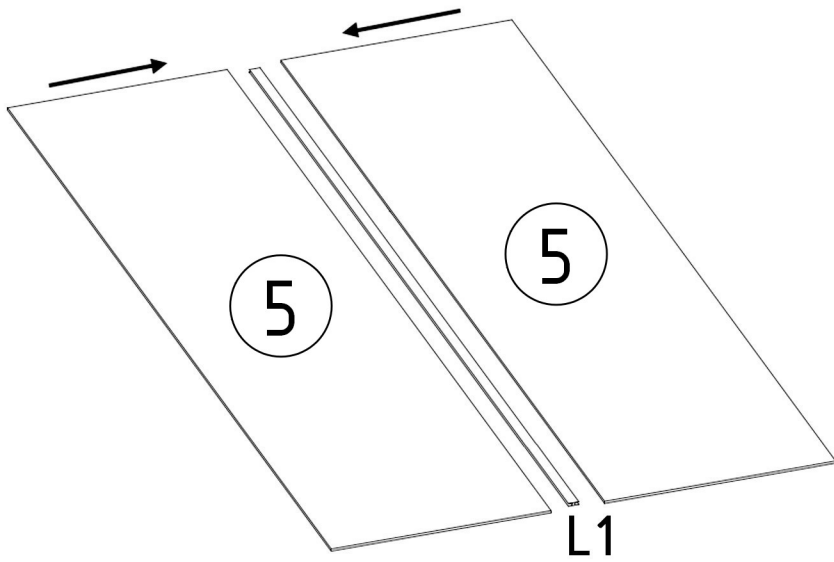
F1

7x50mm **x4**

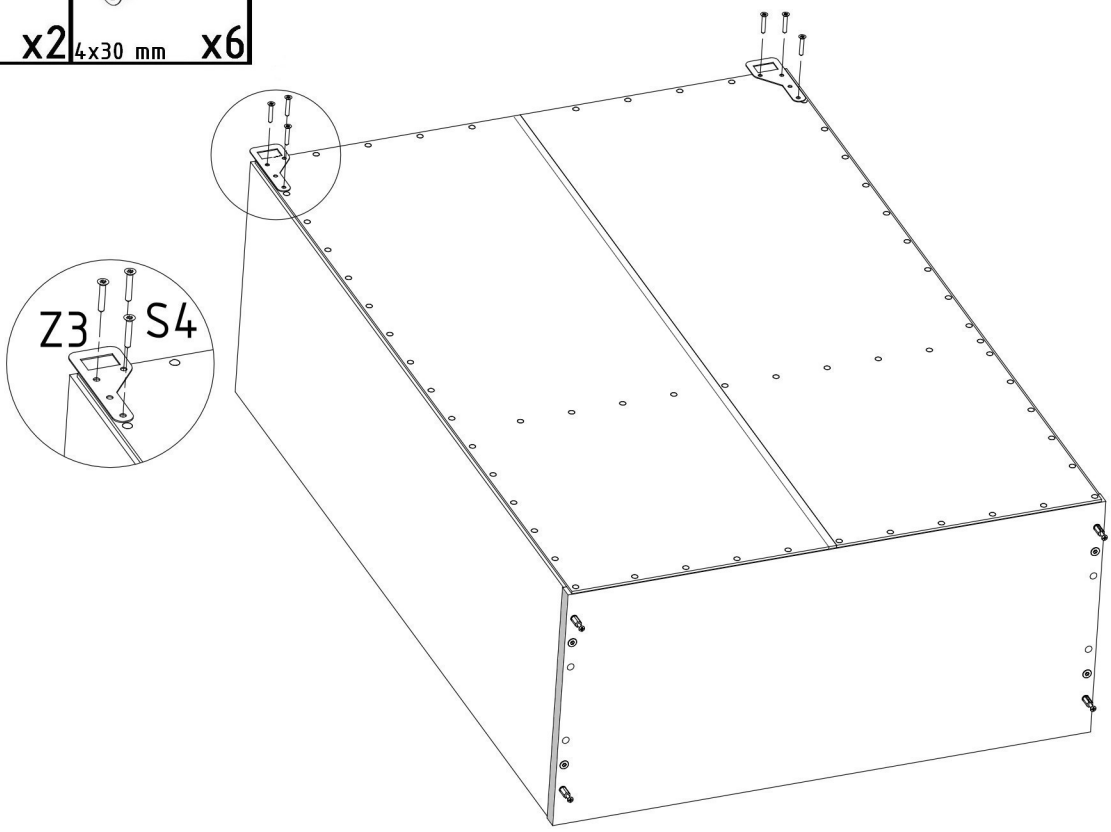
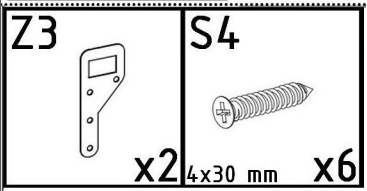
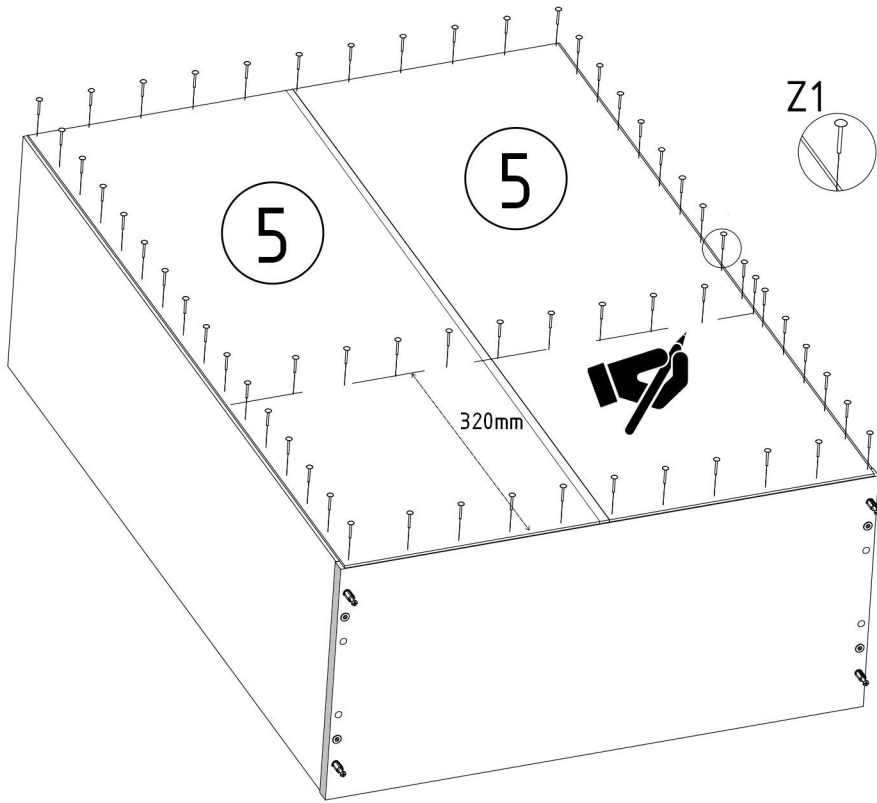
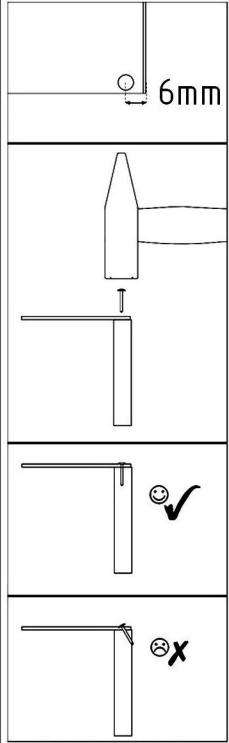
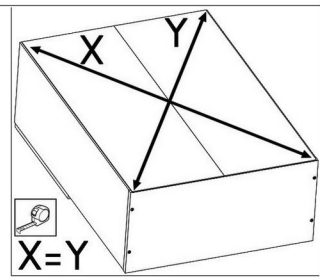
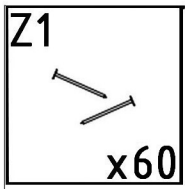
M2

x8

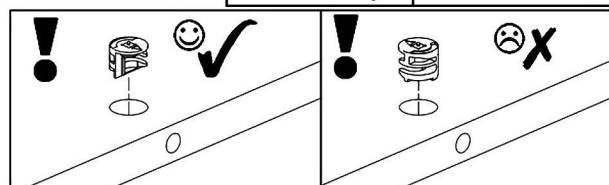
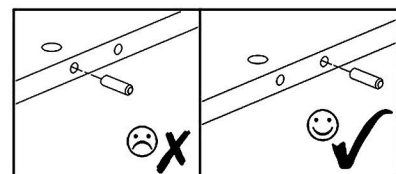
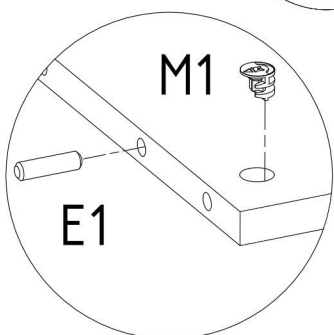
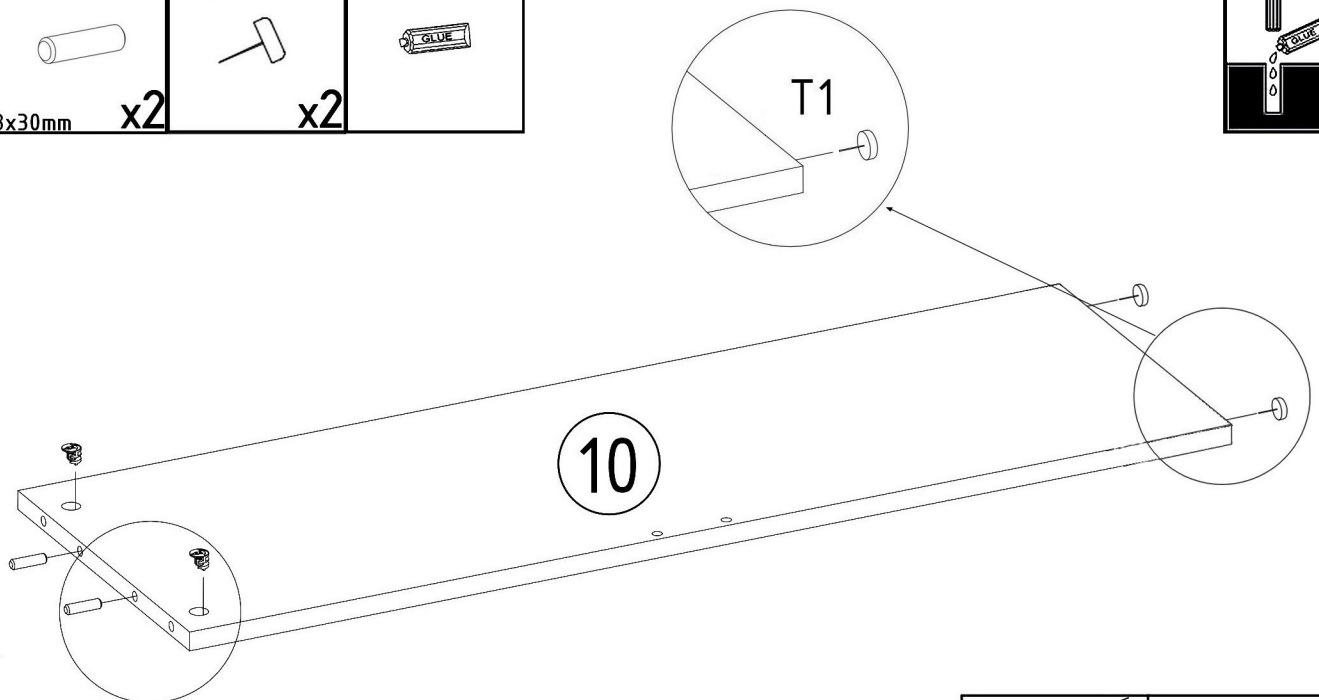
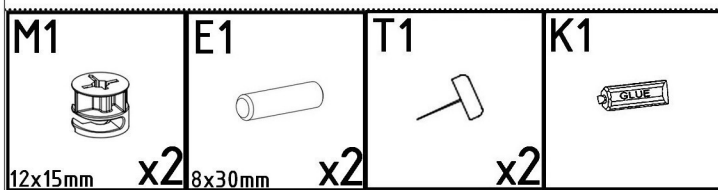
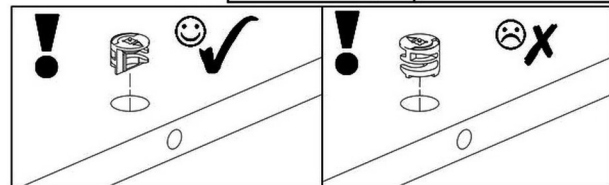
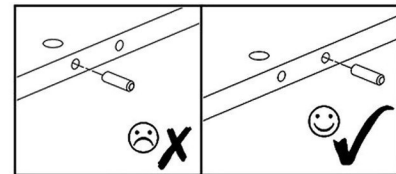
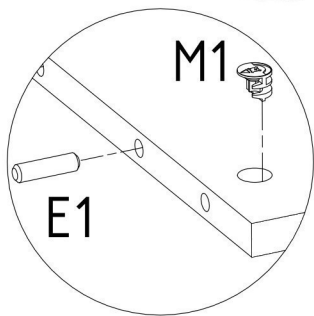
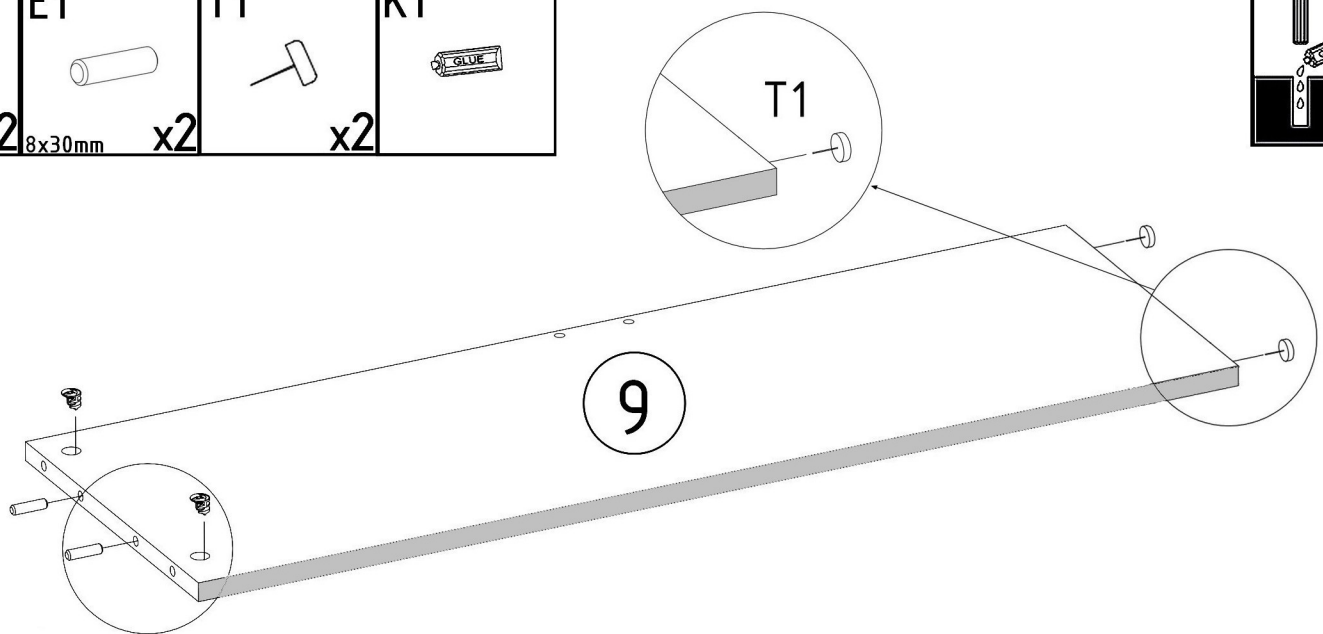
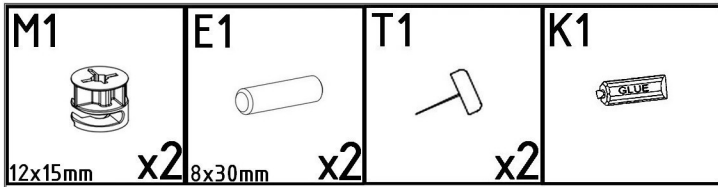


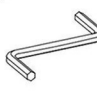
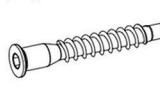
M1 **M2**
 

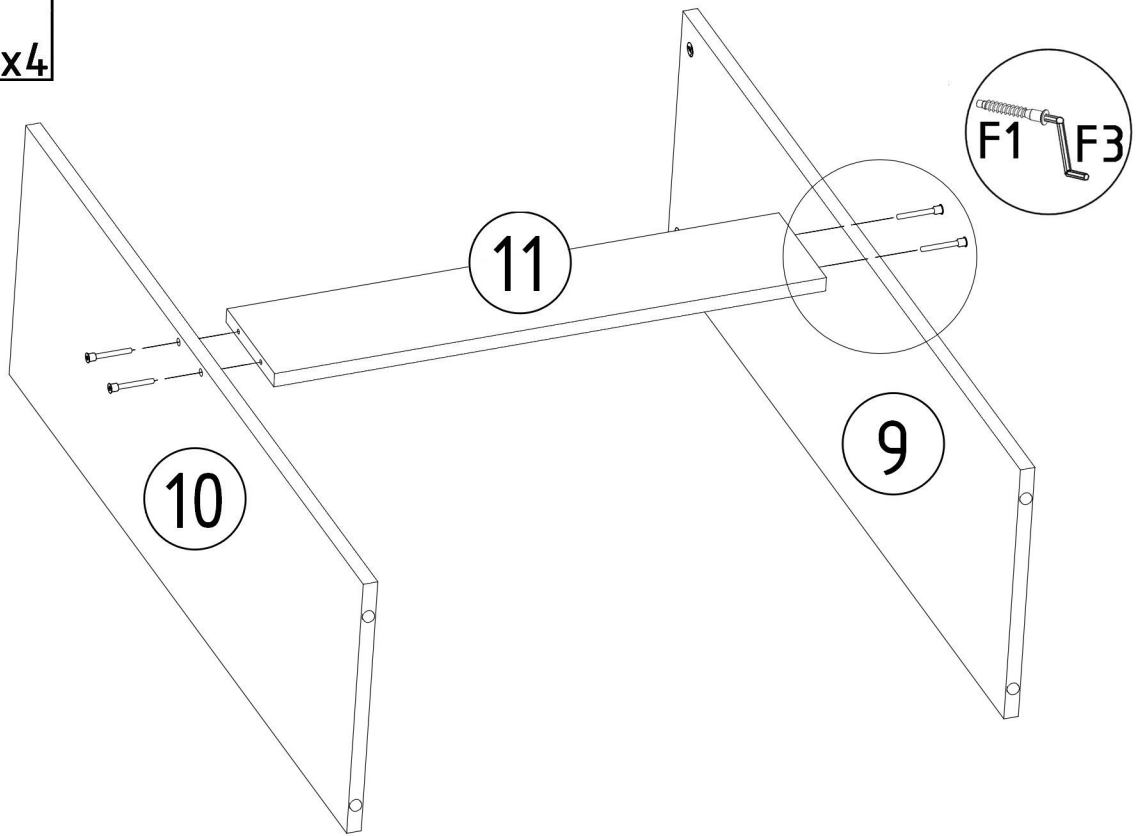
L1

x1





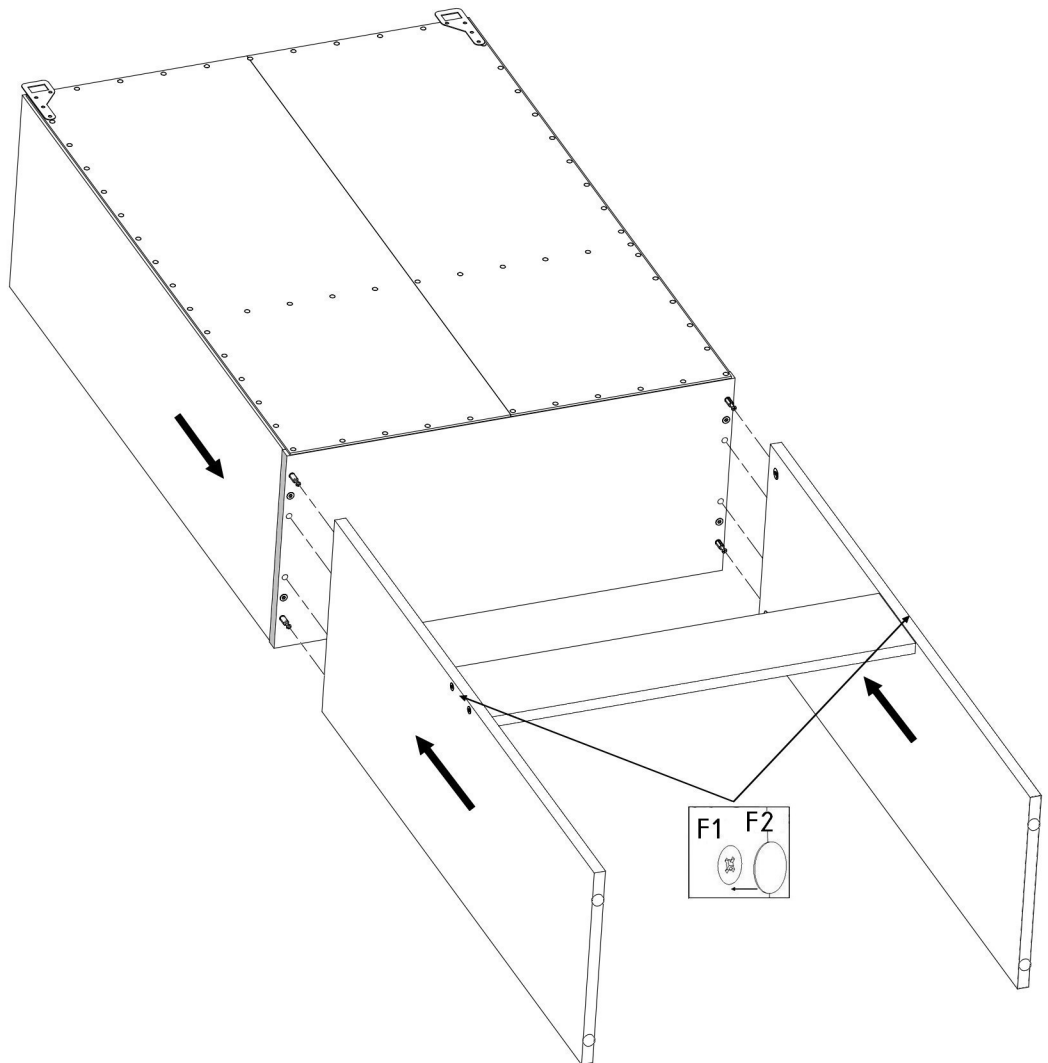
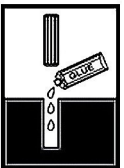


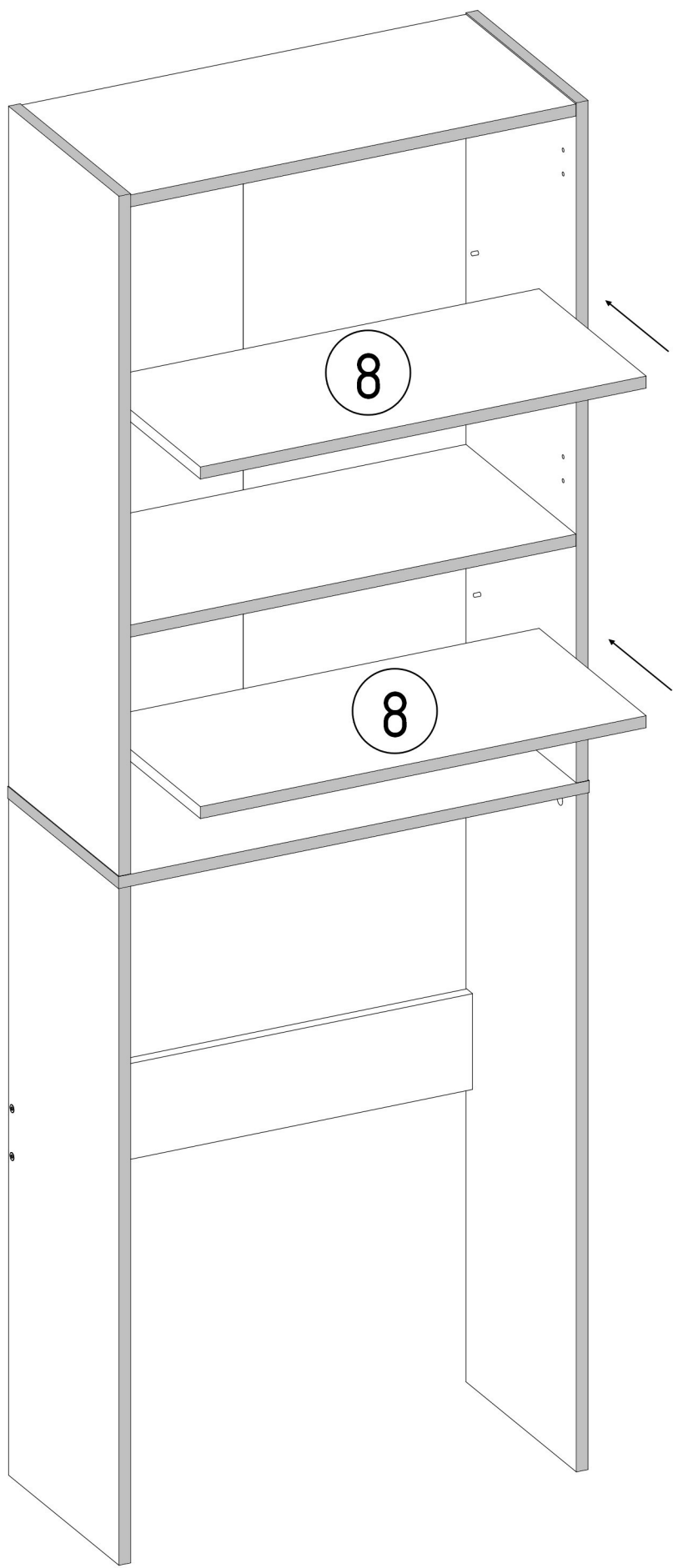




F3 	F1  7x50mm x4
--	---

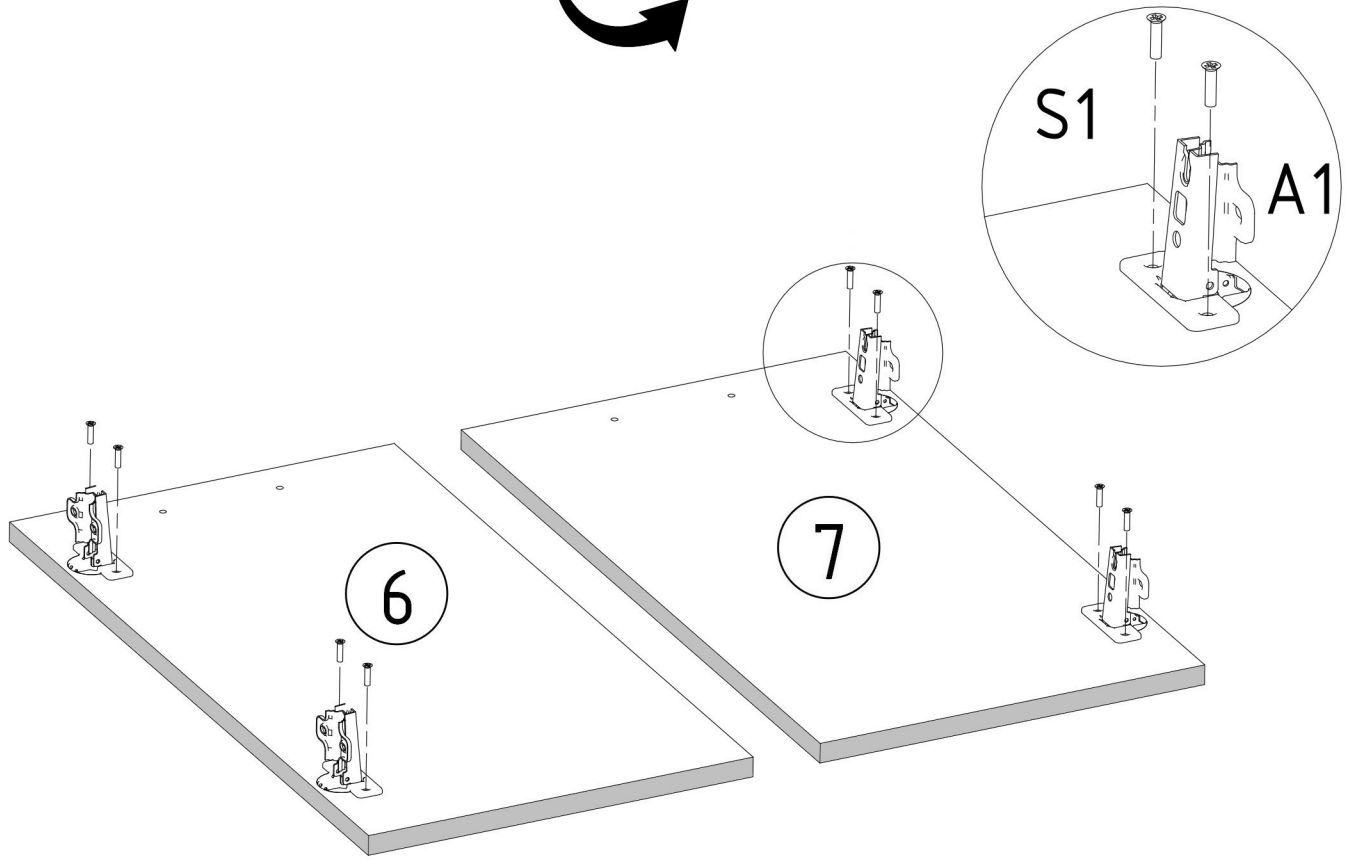
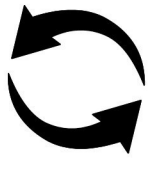
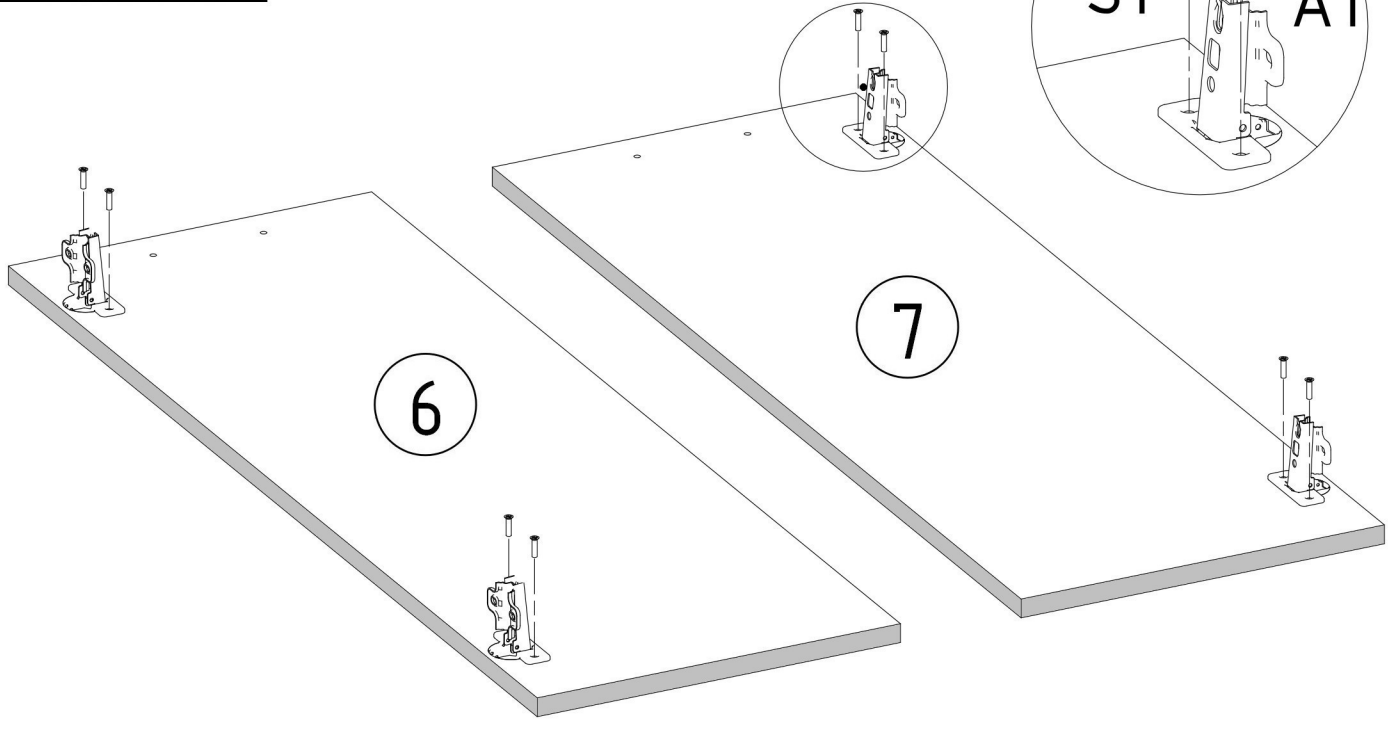


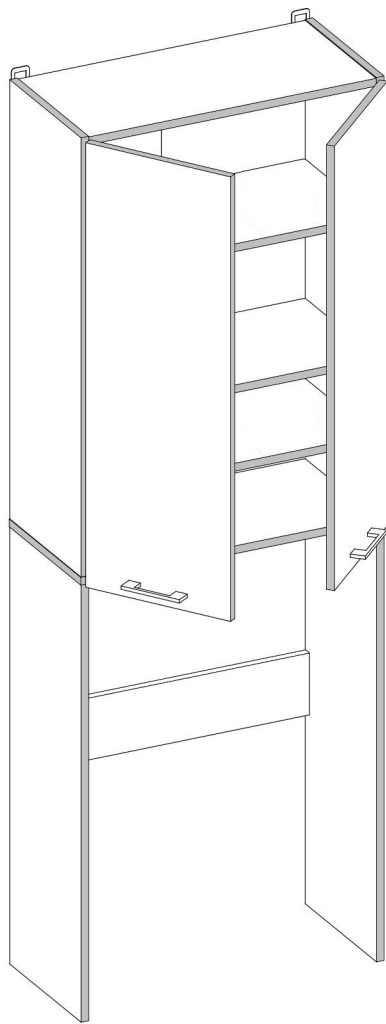
K1 
F2 x8  x4

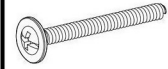
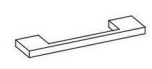



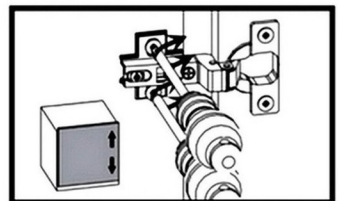
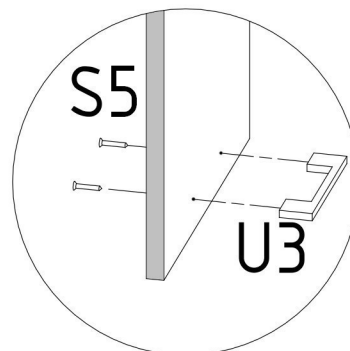
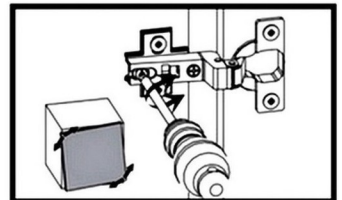
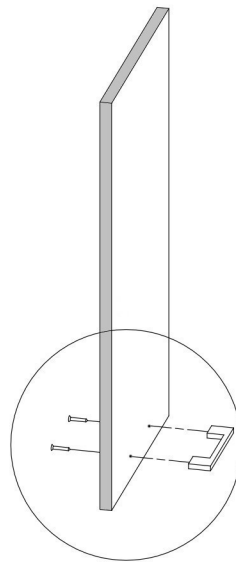
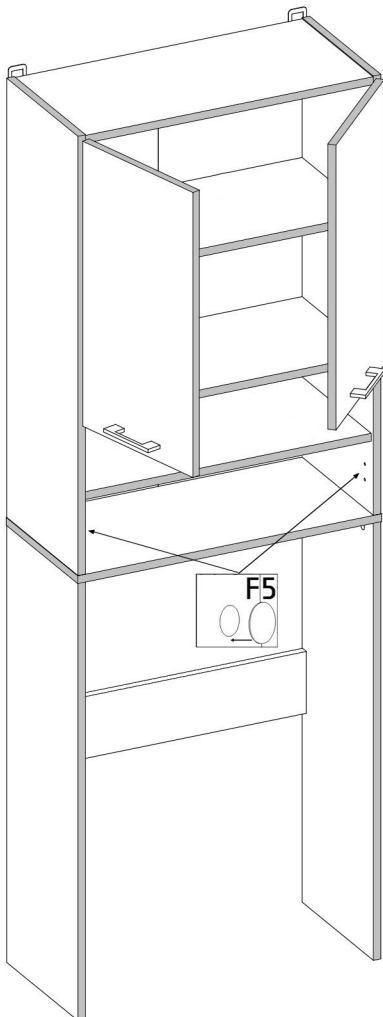
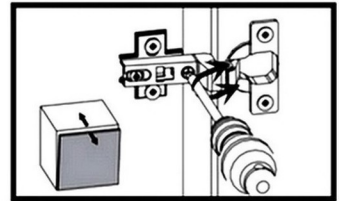
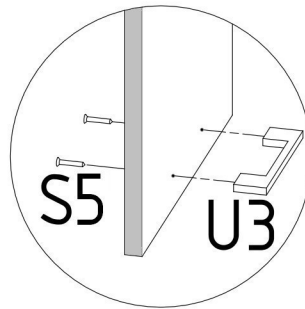
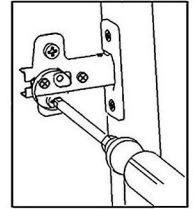
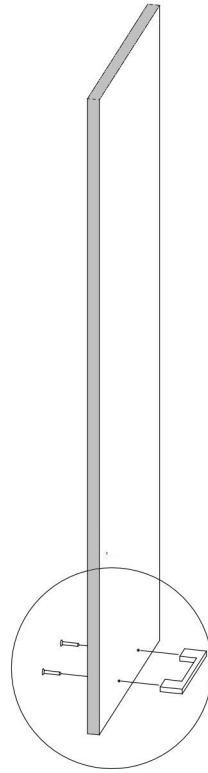


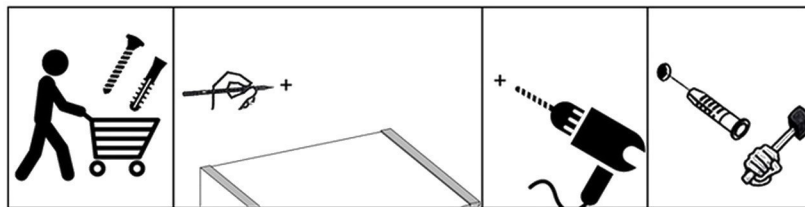
A1 	S1 
ZP	X4 3,5x16mm X8





S5  4x27 mm x4	U3  L=96/137mm x2	F5  x4
---	--	---





590 mm

590 mm

