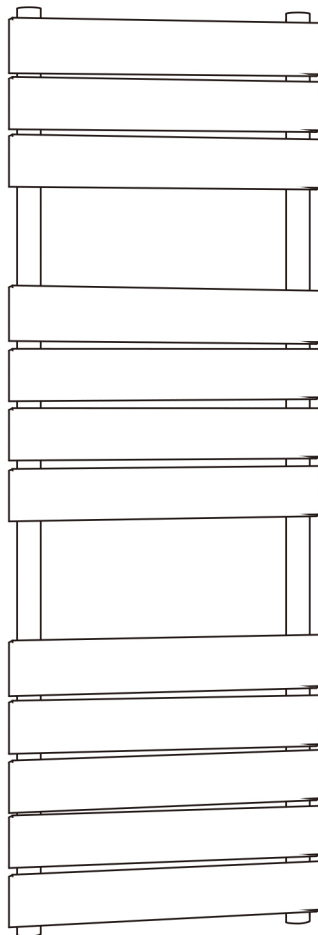


INSTALLATION GUIDE

Please keep these instructions for future reference





WARNING!



This towel warmer is intended for indoor use only, and should not be located anywhere it would be exposed to water such as in a shower or steam room. Read and follow the instructions carefully so that the towel warmer is mounted correctly and so it avoids the possibility of causing a fire. If you have any problems in installing the item we suggest you speak to a local plumbing expert or ask a qualified installer to put the item in for you instead of attempting it yourself.



SAFETY NOTICE!



Packaging and parts should be kept away from young children and babies as it can cause a choking hazard. DO NOT ALLOW children to climb or grab the towel warmer as there is risk of falling or the towel warmer coming off the walls it is not designed to support any extra weight (such as a child). The towel warmer will become hot during use, and can also cause burns.

PREPARATION

- Read all the instructions carefully and make sure you have all the parts from the checklist opposite before you start your installation.
- Check your fixings are suitable for the wall you are mounting to. For dry or stud walls contact your local DIY store who will be able to advise and supply you with the appropriate fixings for that surface. It is also worth double checking your measurements and making sure the supplied towel warmer will fit your space before starting.
- These instructions can be used for vertical or horizontal towel warmers. The round tubes must be mounted with the round tubes sitting horizontally across the wall brackets for both versions. Vertical towel warmers should not be hung horizontally and vice versa.

DON'T FORGET!

- Observe all plumbing and building codes and make sure the water supply is completely turned off before you start. If you have any questions regarding your property and building and plumbing codes of practise we suggest that you contact a local plumbing or building professional.

TECHNICAL DATA

It should only be filled with water, and at a temperature below 100°C (212°F). If the temperature exceeds 48°C (120°F), please install a warning sign near the product to avoid burning and scolding incidents.

Temperature: $0^{\circ}\text{C} < t \leq 100^{\circ}\text{C}$

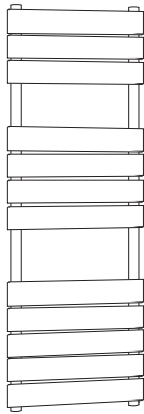
Comments: If the ambient temperature is below 1°C, drain out the water to prevent freezing.

Please check you have all of the parts supplied in the box and other items ready before starting installation.

PARTS CHECKLIST

A

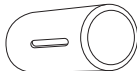
x1



Towel warmer Body
(style and size may vary dependant on your order)

B

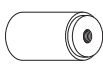
x4



Wall Brackets

C

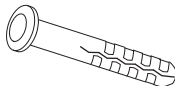
x4



Wall Brackets

D

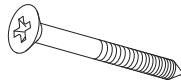
x4



Masonry Wall Plug

E

x4



Long Screw

F

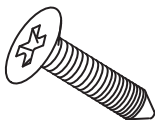
x4



Washer

G

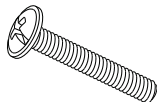
x4



Small screw

H

x4



screw

I

x1



Blanking Plug

J

x1



Air Vent

TOOLS CHECKLIST

Adjustable Wrench

Pencil

Tape Measure

Screwdriver

Spirit Level

Electric Drill

Rubber Hammer

Clean Cloth

Gloves

Dust Sheet



ALSO NEEDED

x2

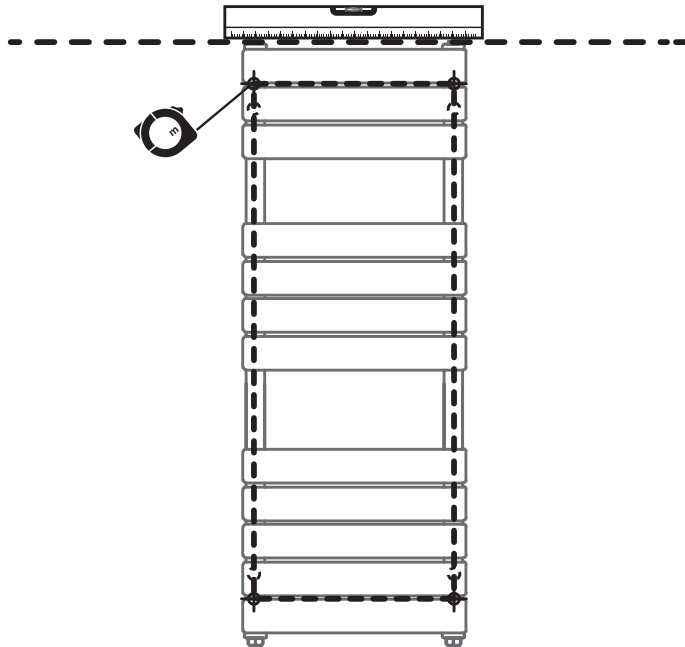
Valves (sold separately)

x1

Roll of PTFE Tape (not supplied)

INSTALLATION PROCEDURE

- 1 When choosing the desired location for your towel warmer, make sure you are avoiding any pipe work and/or electrical cabling. Mark 4 equal positions on the wall, not forgetting to leave space at the bottom for your valves and pipework to join up.



Measure and mark 4 points taking care that they are level and at the correct height and width for your towel warmer

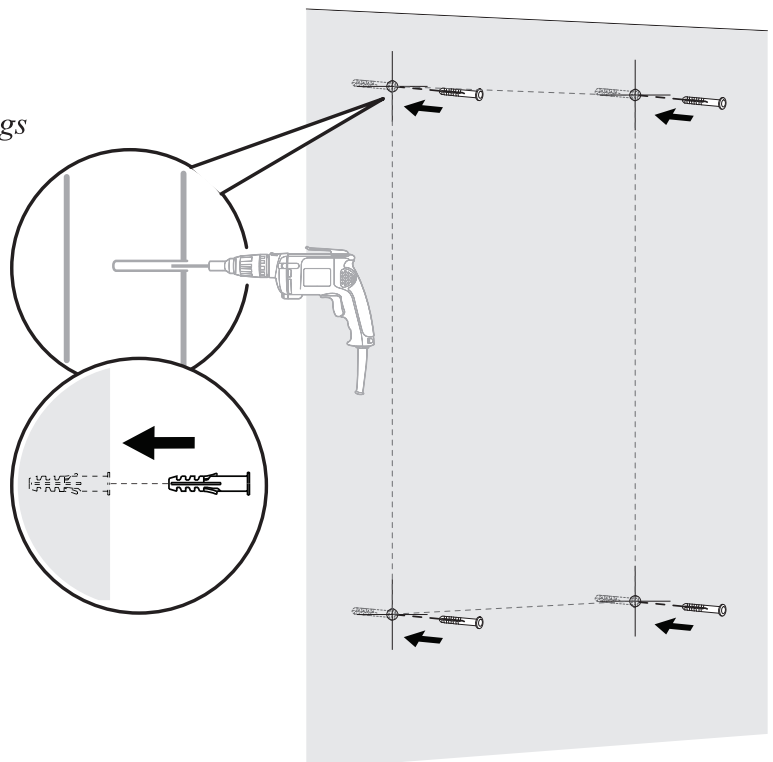


Using a dust sheet on the floor can help prevent losing any small parts.

- 2 Once measured and marked drill all holes and insert the masonry plugs supplied.

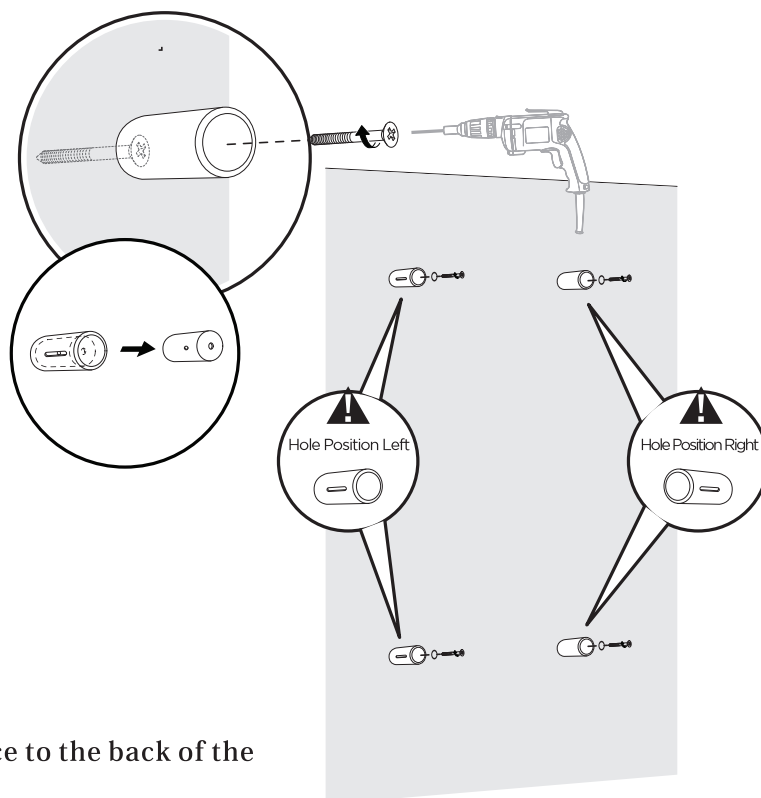


Please Note: For false or studded walls different fixings will be needed and can be purchased from your local DIY store.

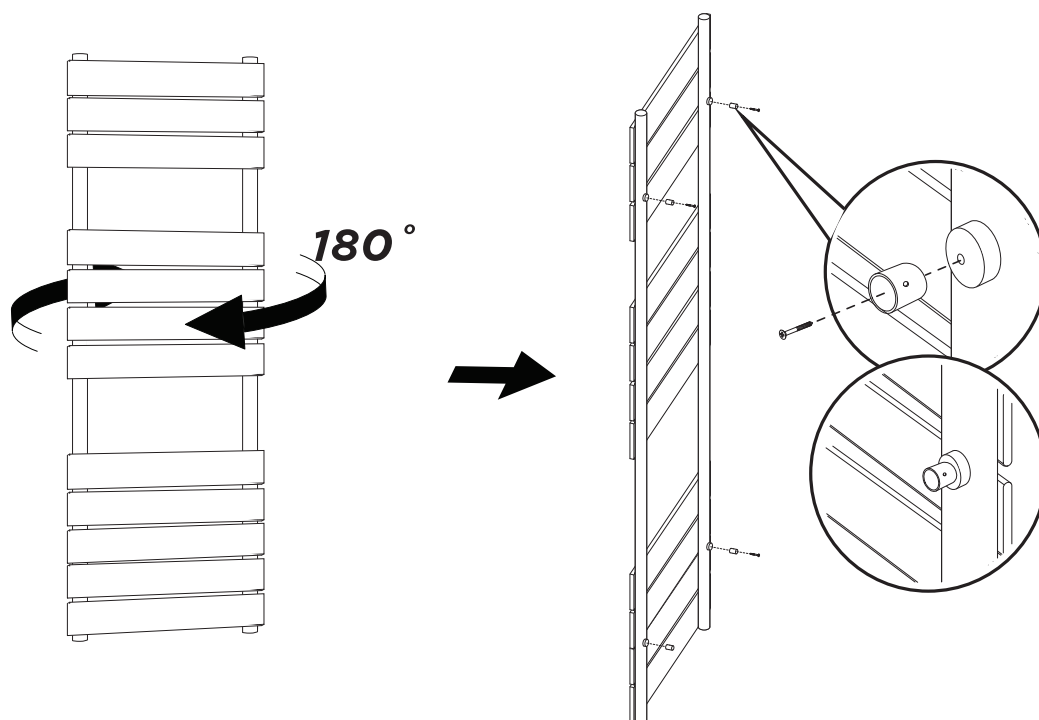


INSTALLATION PROCEDURE

- 3** Separate the two bracket pieces and fix the larger one to the wall.

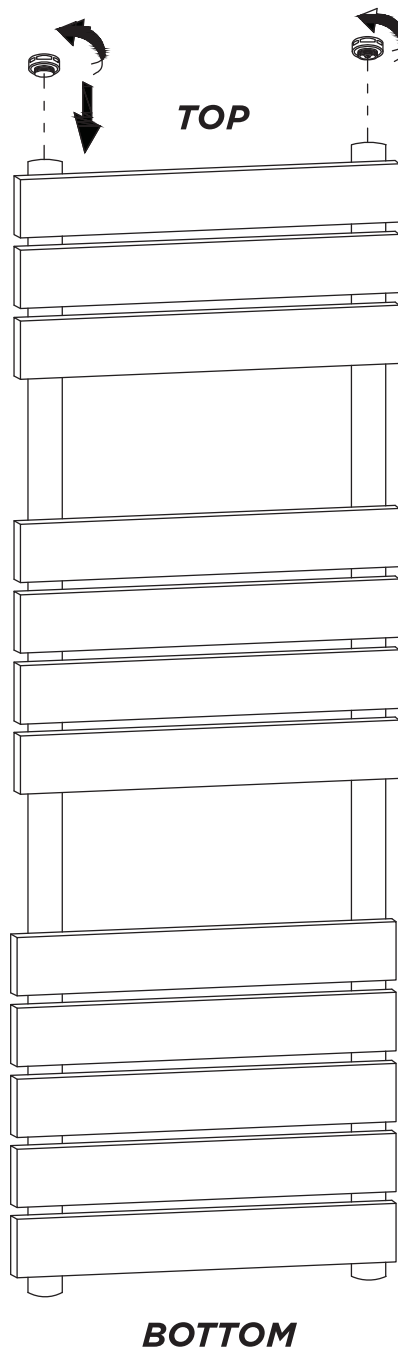


- 4** Fix the smaller piece to the back of the towel warmer.



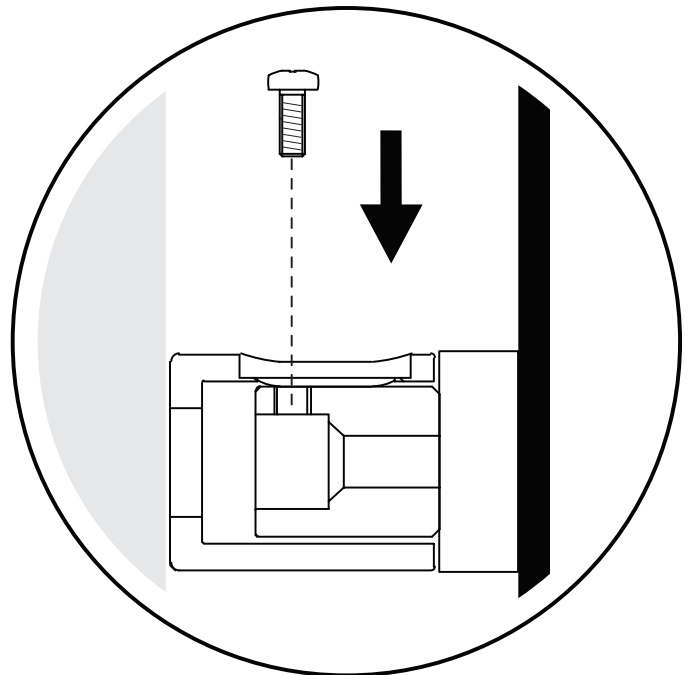
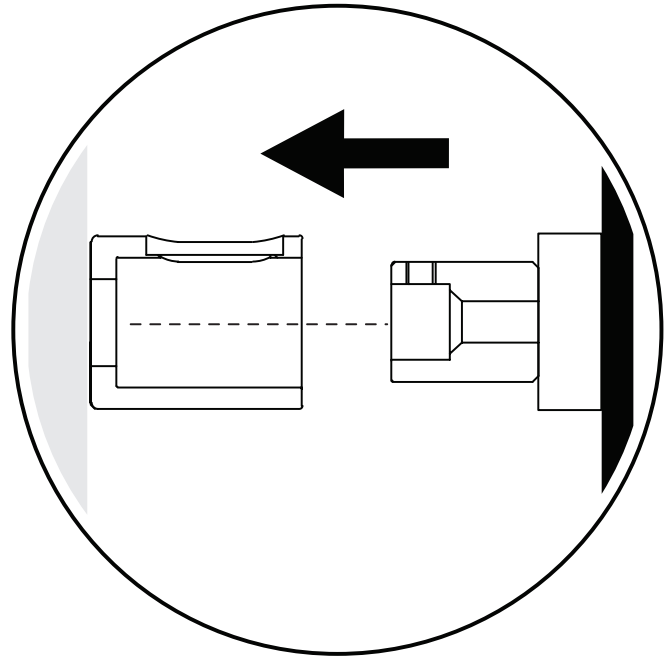
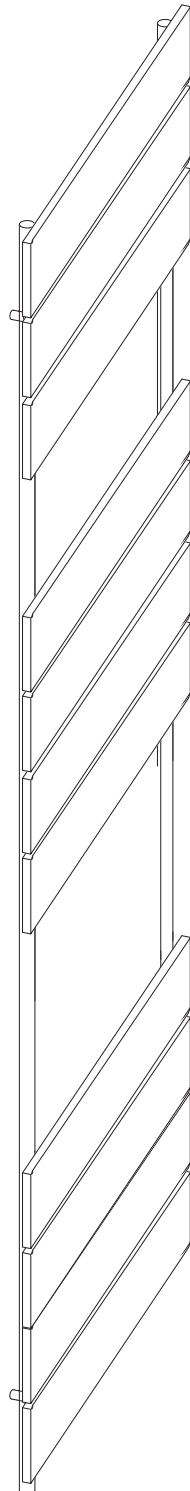
INSTALLATION PROCEDURE

- 5 Threads the blanking plug and air vent into the top of the towel warmer, tighten with spanner. (PTFE tape can be used if needed)

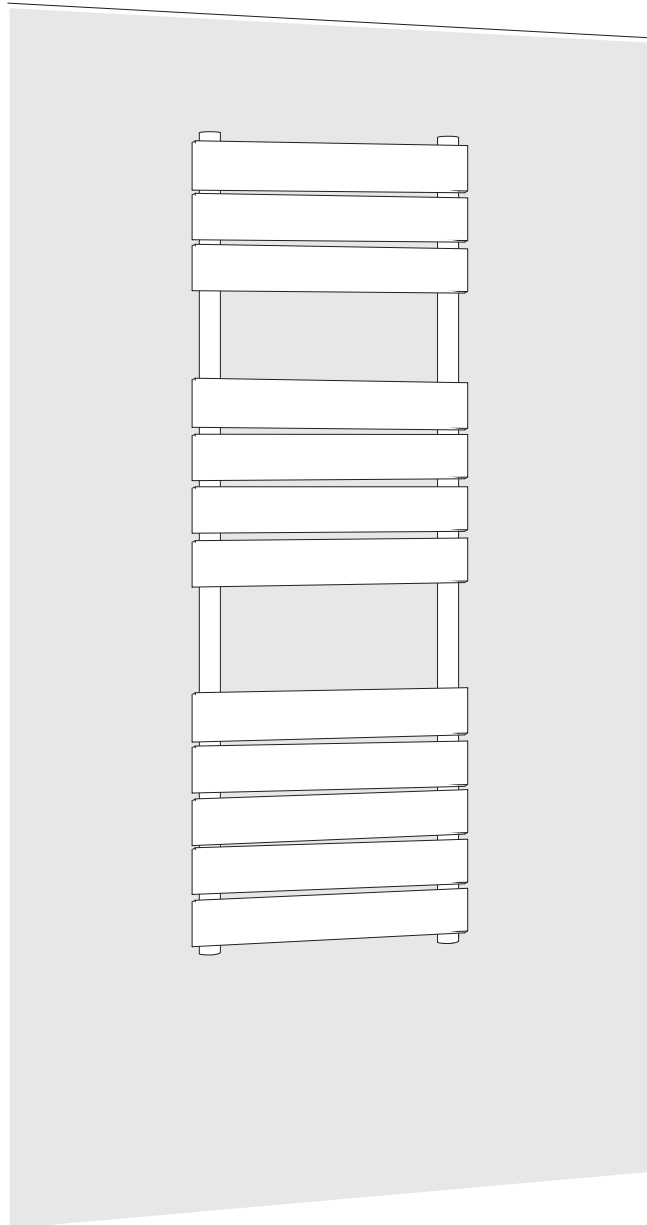


INSTALLATION PROCEDURE

- 6** Position the towel warmer onto the wall by lining up the brackets and tighten the small screw when in position.



INSTALLATION PROCEDURE



AND FINALLY

- Open the air vent with a screwdriver and turn on the opening valve to let the water fill into the towel warmer.
- Carefully check all connections for any leaks.
- Once the water overflows from the air vent, there is no air in the tube.
- Close the air vent again and turn on the other valve. The towel warmer is now ready to use.
- Top up your household system is necessary with a good quality make of inhibitor fluid.

CARE & CLEANING

Mercury Products LTD Radiators are made from steel and they should only be cleaned with a damp cloth and not with corrosive or scouring cleaning agents.

TROUBLESHOOTING

When problems occur, knowing basic towel warmer troubleshooting information can save you time, stress and hassle. Below is a basic guide to solving the most common issues.

ISSUE	CAUSE	SOLUTION
Cold Spots on the Towel warmer unit	Water is not flowing through the towel warmer properly	<ul style="list-style-type: none">• Check to make sure there is no trapped air inside the towel warmer. Bleed the towel warmer to release any trapped air.• Make sure the valve is fully open to allow water to flow freely.
Leak on the towel warmer	<ul style="list-style-type: none">• Valve nut is loose• Welding problem	<ul style="list-style-type: none">• Tighten the valve nut• Replace the towel warmer
Sound of whistling or water whoosing	Towel warmer was not properly balanced when it was installed	Re-install
Clanking sound	The towel warmer was installed in a space that doesn't allow for pipe expansion	Re-install



PLEASE COMPLETE & RETURN:

WARRANTY CARD

Mercury Products LTD warrants this product to be free from defects in materials and workmanship under normal use for 15 years from date of purchase. Should the item become defective during this period Mercury Products LTD will repair or replace the item with a product of equal or greater value. This warranty is limited to the purchaser and is not transferable. To validate this warranty fill in and return this warranty card to your place of purchase within 30 days of purchase. Please see warranty information for full Terms and Conditions.

Name: _____ Tel: _____

Email: _____

Delivery Address: _____ Delivery Postcode: _____

FOR OFFICE USE ONLY:

Order Number: _____ Warranty Expiry: _____

Send to: Mercury Products LTD

Freeman Road, North Hykeham, Lincolnshire, LN6 9AP, UK

If you wish to receive an acknowledgement of receipt please tick this box and include your email above.

Please contact your retailer for more information.

WARRANTY TERMS & CONDITIONS

• We cover under warranty this towel warmer to be free from defects in materials and workmanship during normal use when properly installation and serviced, for 15 years from date of purchase.

This limited warranty is extended only to the ORIGINAL PURCHASER of the product and is not transferable to any third party, including but not limited to any subsequent purchaser or owner of the product. This warranty applies only to our product when purchased and installed in the UK

• Our obligation under this warranty is limited to repair, replacement or other appropriate adjustment at our discretion, of the product or parts found to be defective in normal use, provided that such product was properly installed, used and serviced in accordance with these instructions. We reserve the right to make such inspections as may be necessary in order to determine the cause of the defect. We will not charge labour or parts in connection with warranty repairs or replacements. We take no responsibility for the cost of removal, return and /or reinstallation of the product.

• This warranty does not apply to the following situations:

- a) Damage or loss sustained in an act of nature such as fire, earthquake, flood, etc.
- b) Damage or loss resulting from any accident, unreasonable use, misuse, abuse, negligence or improper care, cleaning or maintenance.
- c) Damage or loss resulting from sediments or foreign matter contained within the water system.
- d) Damage or loss resulting from improper installation or from installation of the product in a harsh and/or hazardous environment, or improper removal, repair or modification of the product.
- e) Damage or loss resulting from electrical surges or lightning strikes or other acts which are not the fault of

us or which the product is not specified to tolerate.

f) Damage or loss resulting from normal and customary wear and tear, such as gloss reduction, scratching or fading over time due to use, cleaning practices or water or atmospheric conditions, included, but not limited to, the use of bleach, alkali, acid cleaners, dry (powder) cleaners or any other abrasive cleaners or the use of metal or nylon scrubbers.

• In order for this limited warranty to be valid, proof of purchase is required. We encourage warranty registration upon purchase to create a record of product ownership. Product registration is completely voluntary and failure to register will not diminish your limited warranty rights.

• This warranty gives you specific legal rights. You may have other rights based on the law of your country.

• To obtain warranty service repair under this warranty, you are responsible for taking or delivering it under a prepaid service to our distributor or approved service contractor. This written warranty is the only warranty made by us. Repair, replacement of other appropriate adjustment as provided under this warranty shall be the exclusive remedy available to the original purchaser.

We shall not be responsible for the loss of the product, for incidental or consequential damages, for expenses incurred by the original purchaser including labour, installation costs, removal, costs of repairs by others, or for any expense not specifically stated above. In no events will our responsibility exceed the purchase price of the product. Except to the extent prohibited by applicable law, any implied warranties, including that of merchantability or fitness for use or for a particular purpose are expressly disclaimed.