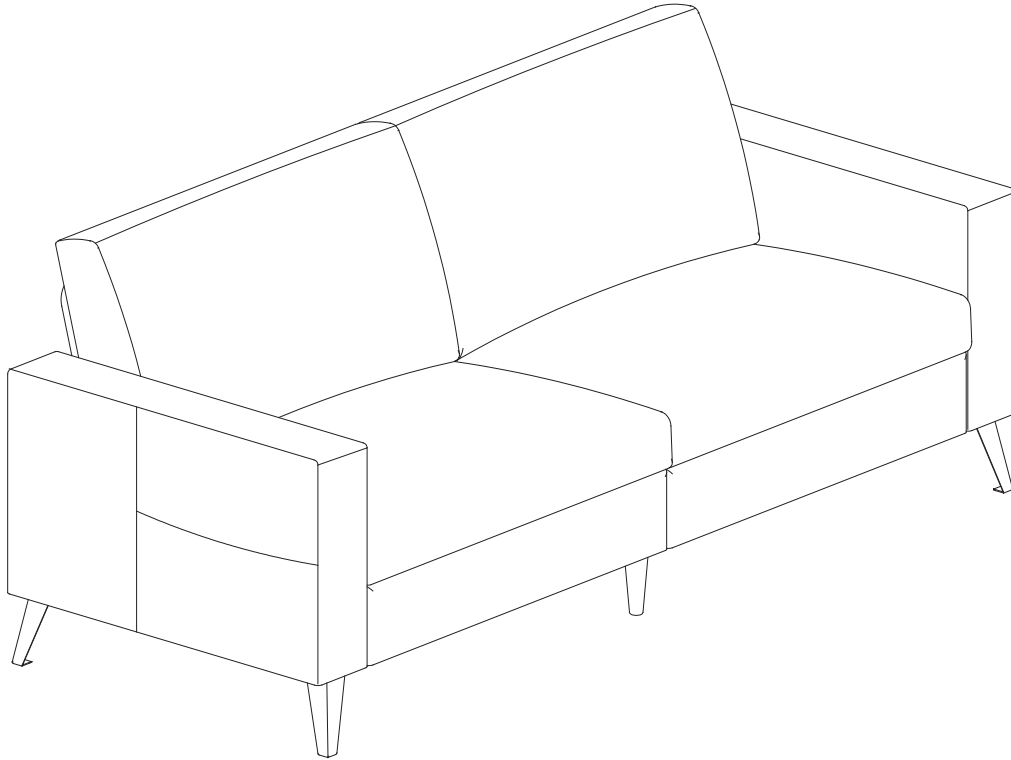


ASSEMBLY INSTRUCTIONS

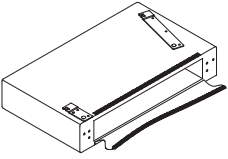
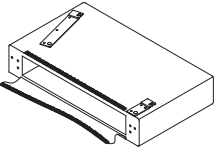
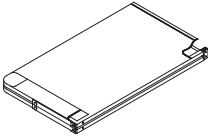
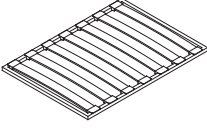
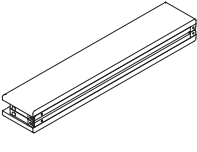
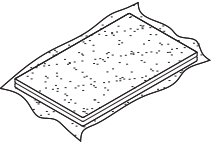
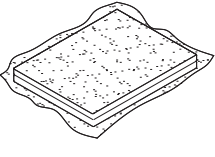
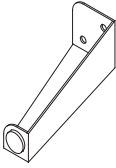
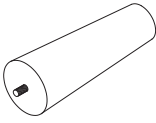
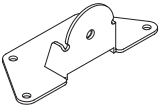
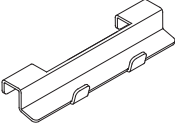
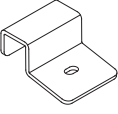
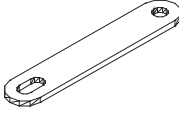
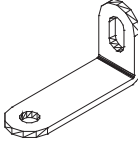
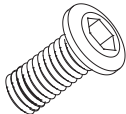
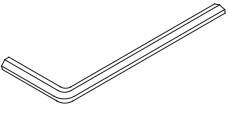
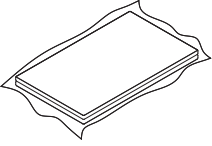
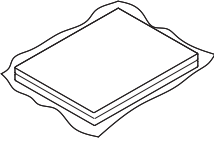
— Sectional Sofa —



Before You Start

- ⦿ Please read all instructions carefully.
- ⦿ Retain instructions for future reference.
- ⦿ Separate and count all parts and hardware.
- ⦿ Read through each step carefully and follow the proper order.
- ⦿ We recommend that, where possible, all items are assembled near to the area in which they will be placed in use, to avoid moving the product unnecessarily once assembled.
- ⦿ Always place the product on a flat, steady and stable surface.
- ⦿ Keep all small parts and packaging materials for this product away from babies and children as they potentially pose a serious choking hazard.

Parts List

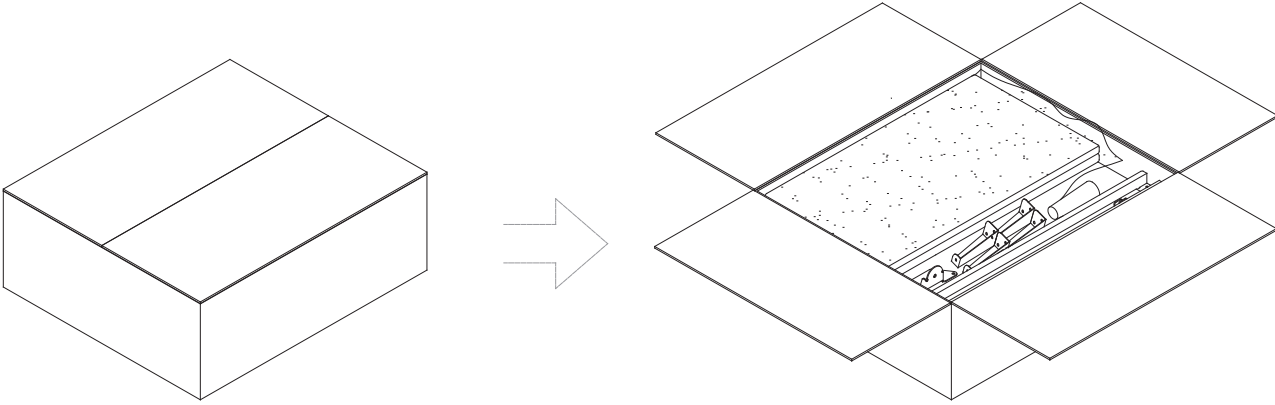
A.  1PCS	A1.  1PCS	B.  1PCS	C.  2PCS	D.  1PCS
E.  Backrest Cover 2PCS	F.  Seat Cover 2PCS	G.  4PCS	H.  1PCS	I.  1PCS
J.  1PCS	K.  2PCS	L.  2PCS	M.  2PCS	N.  22PCS
J.  1PCS	e.  Backrest Insert 2PCS	f.  Seat Foam 2PCS		

All accessories are in ONE box.

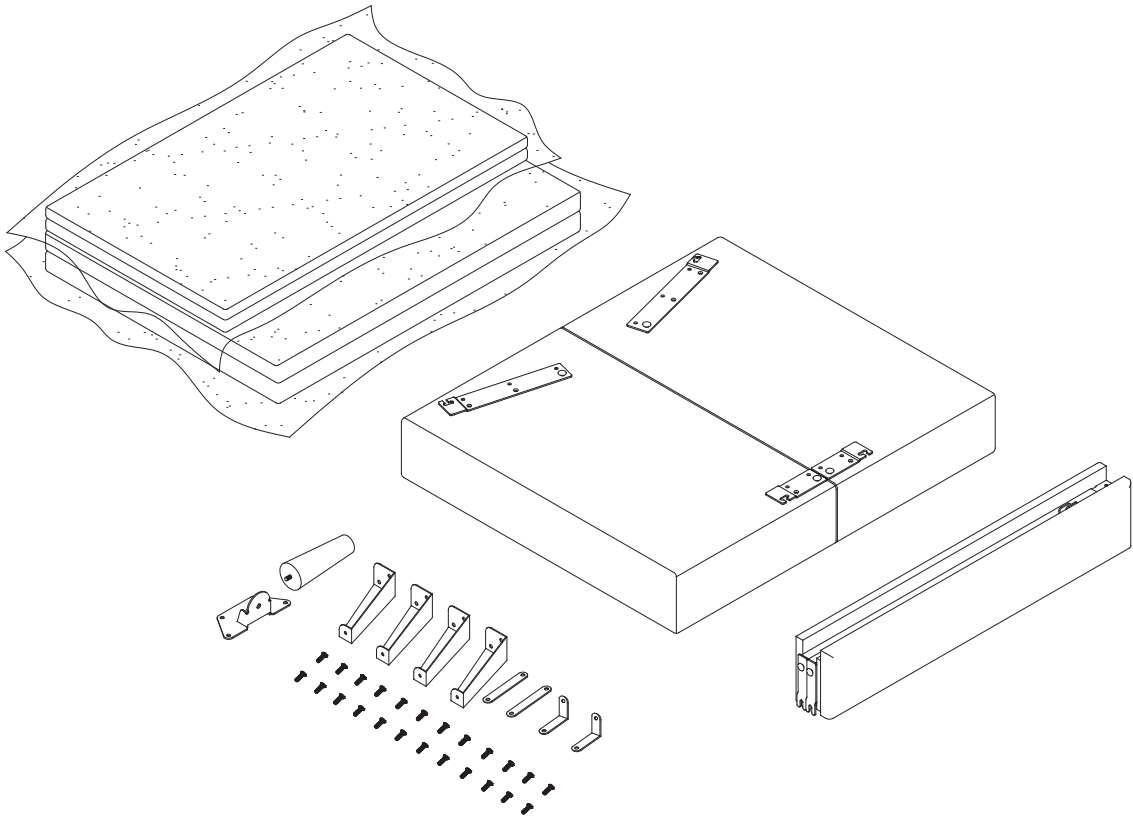
Contact us freely if there is any problem.

- 1.If there is any damage, please send clear photos about damaged part to us as attachment, we will check and offer you best solution soon.
- 2.We are concerned about each customer's experience, if there is any loss or damage, please contact us at any time, we will provide effective solutions.
- 3.It is recommended to assemble more than two people, so that you will be very relaxed.

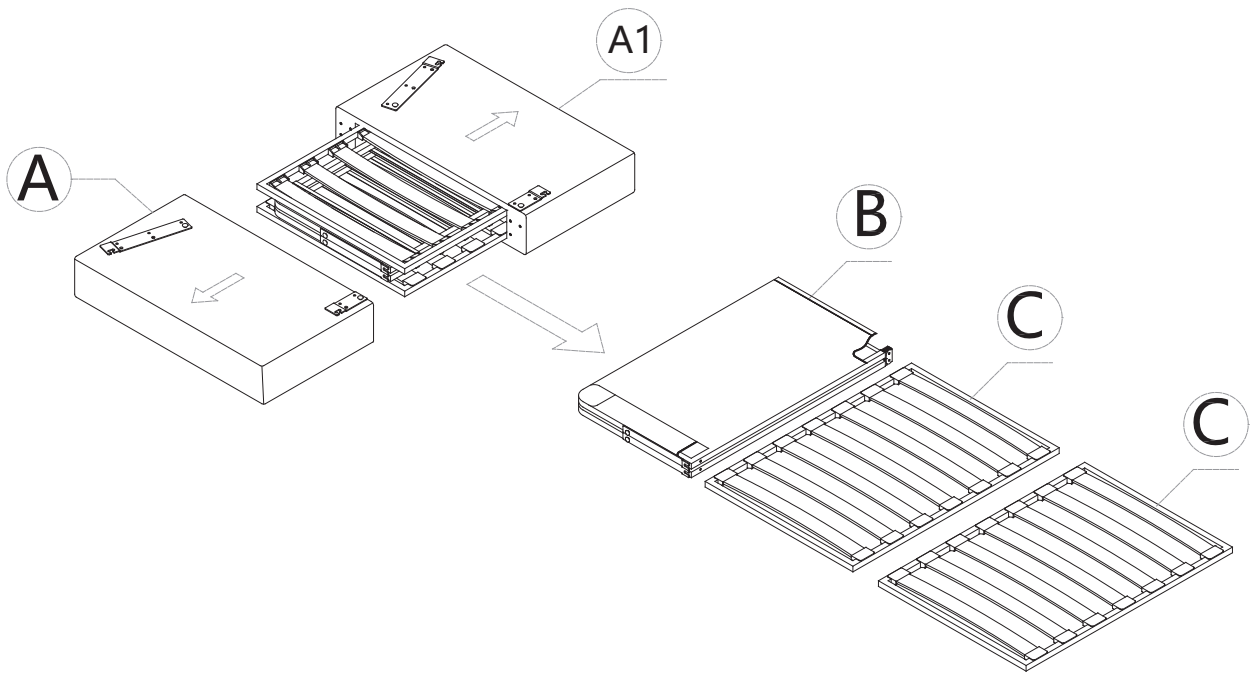
STEP 1



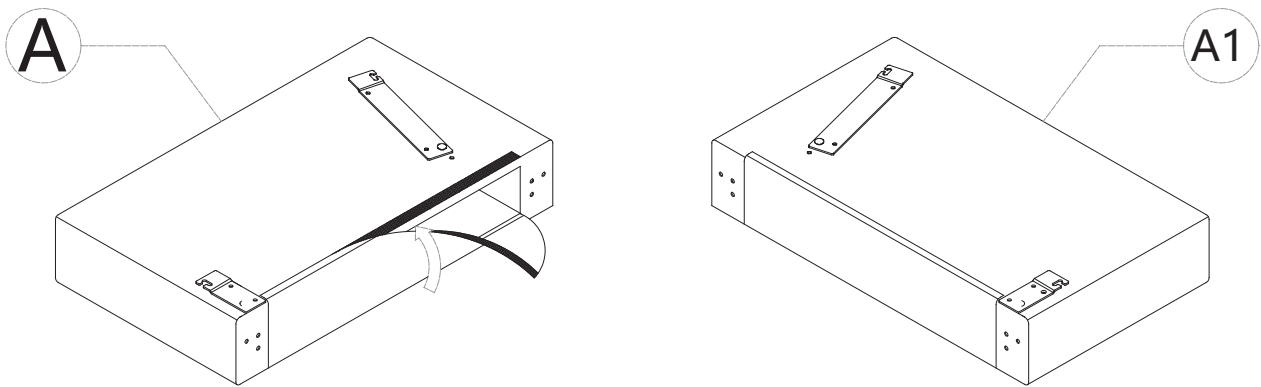
STEP 2



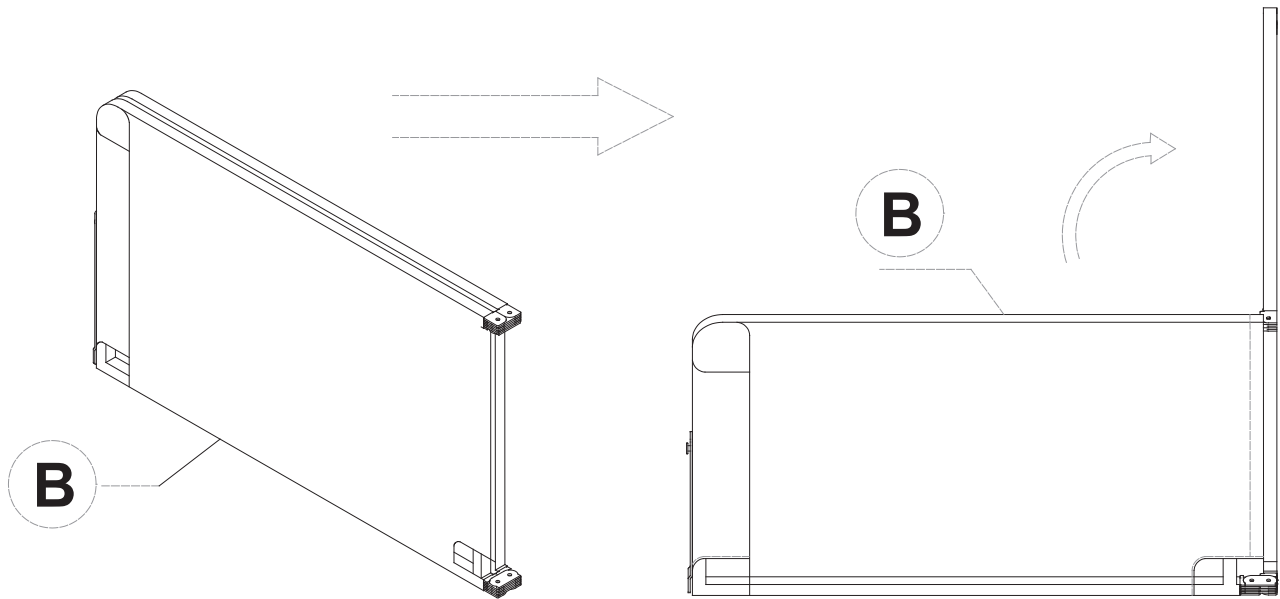
STEP 3



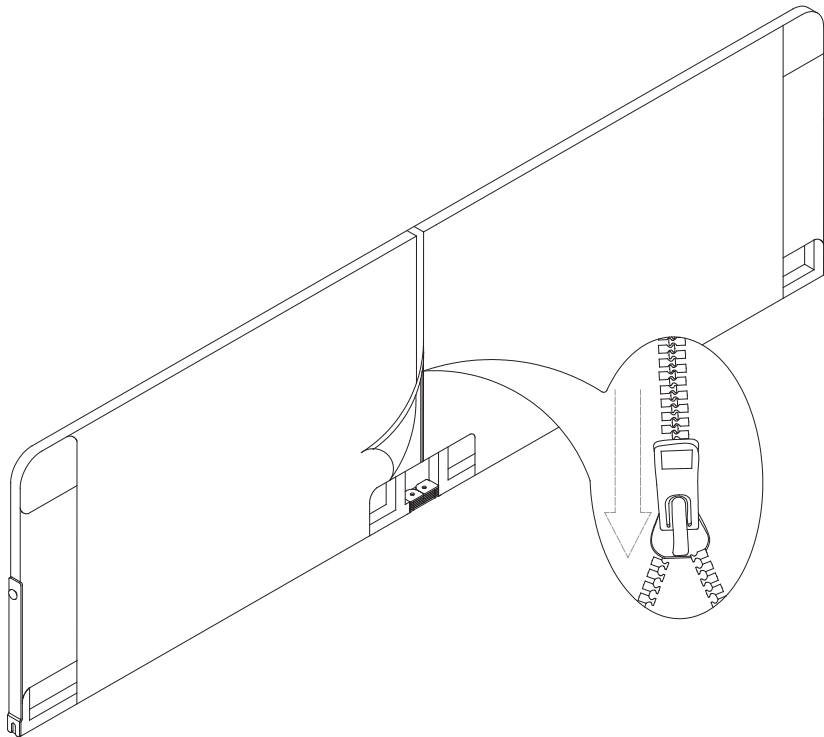
STEP 4



STEP 5

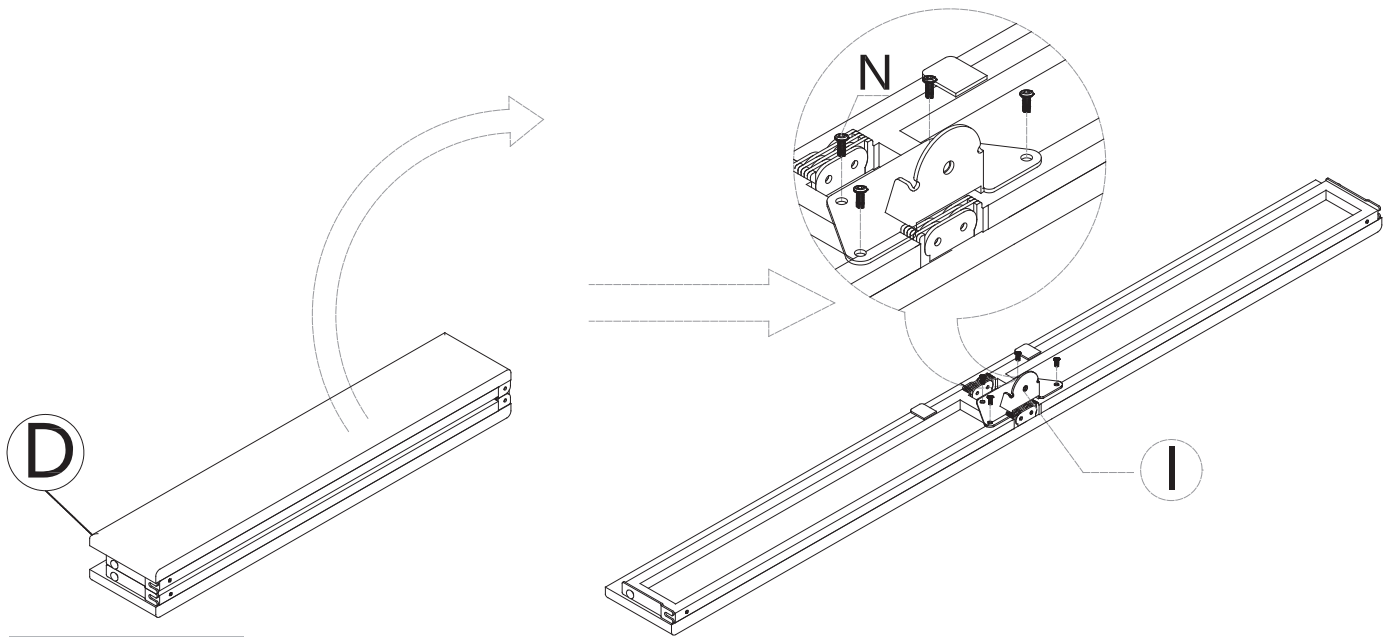


STEP 6



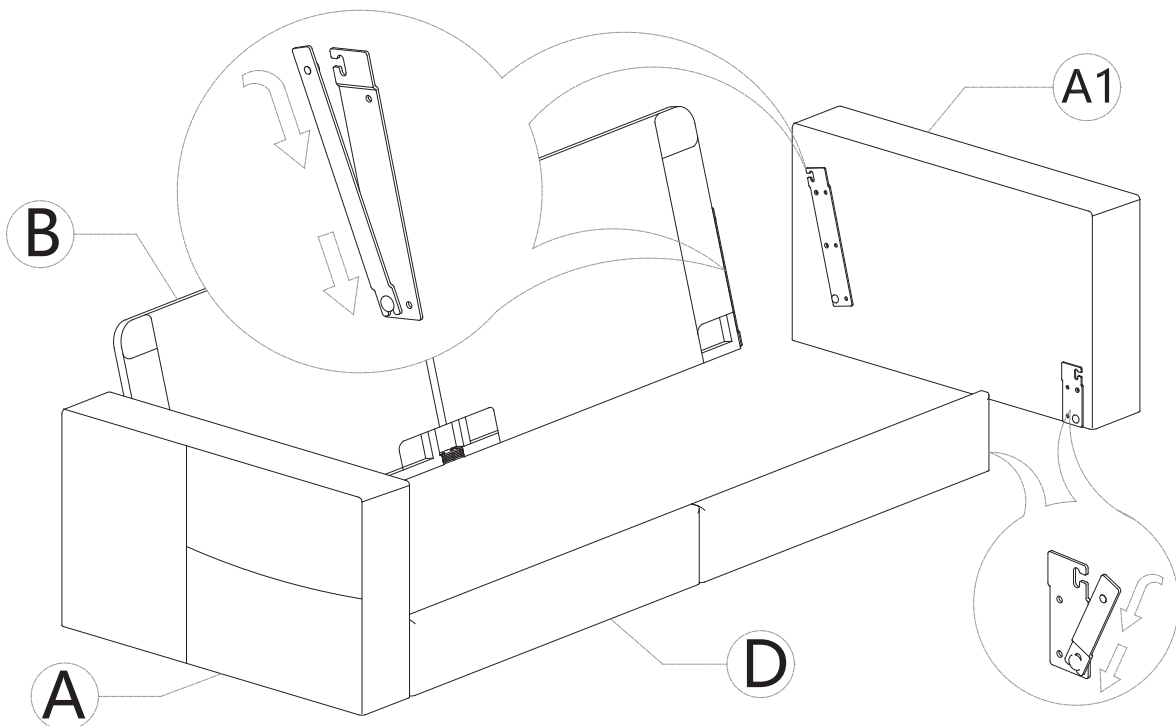
Attn: If you want to fold Part B again, you need to take care that the zipper is not crushed by the parts at the red circle when folding.

STEP 7



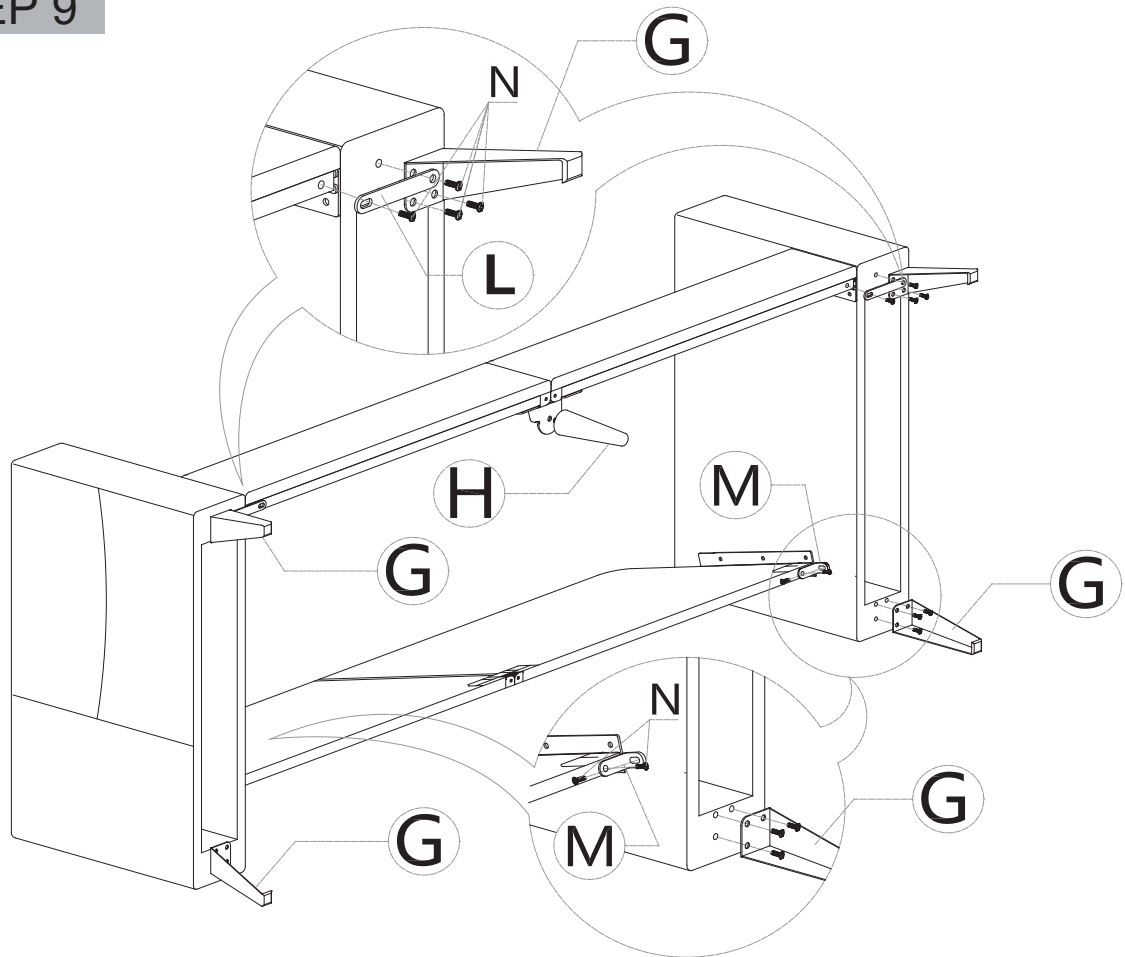
STEP 8

Assemble Tip: Insert the latches on both sides of the back rest (Part B) into the sliding rails of the armrests (Part A and A1) at the same time, after the bottom screws on both sides are attached, then the upper screws. (It is suggested that two people install them to ensure simultaneity, or it may cause another side of the latch can't be attached) Last press down on the backrest to secure it completely. After the back rest is assembled, **Repeat the same steps for Part D.**



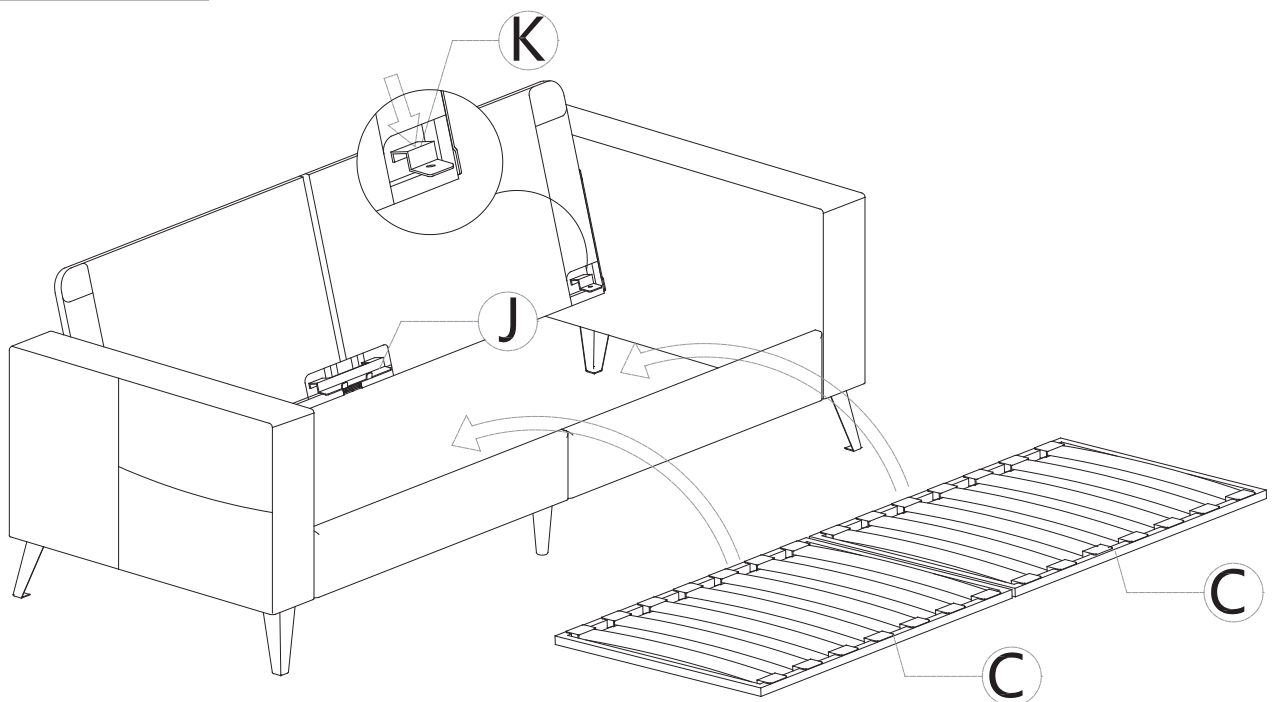
Attn: If you find it's difficult to attach the upper screws to the sliding rails after the bottom screws are attached, please pat the backrest upward to align the upper screws with the sliding rails.

STEP 9



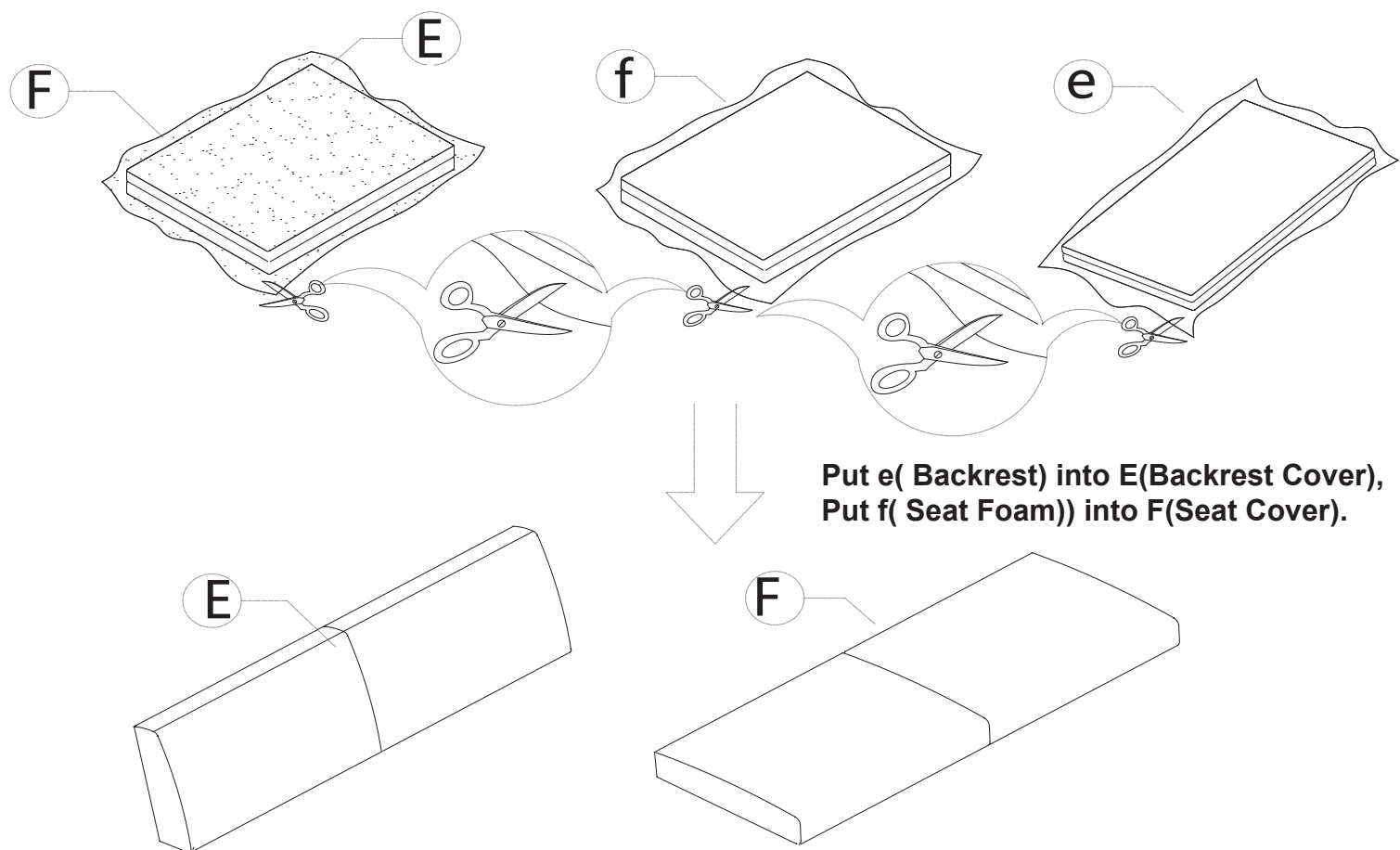
Attn: Pay attention to the direction of each Part G. Don't forget to attach the small Piece L on Part G at the front armrest, both fixed on the bottom of the armrest.

STEP 10

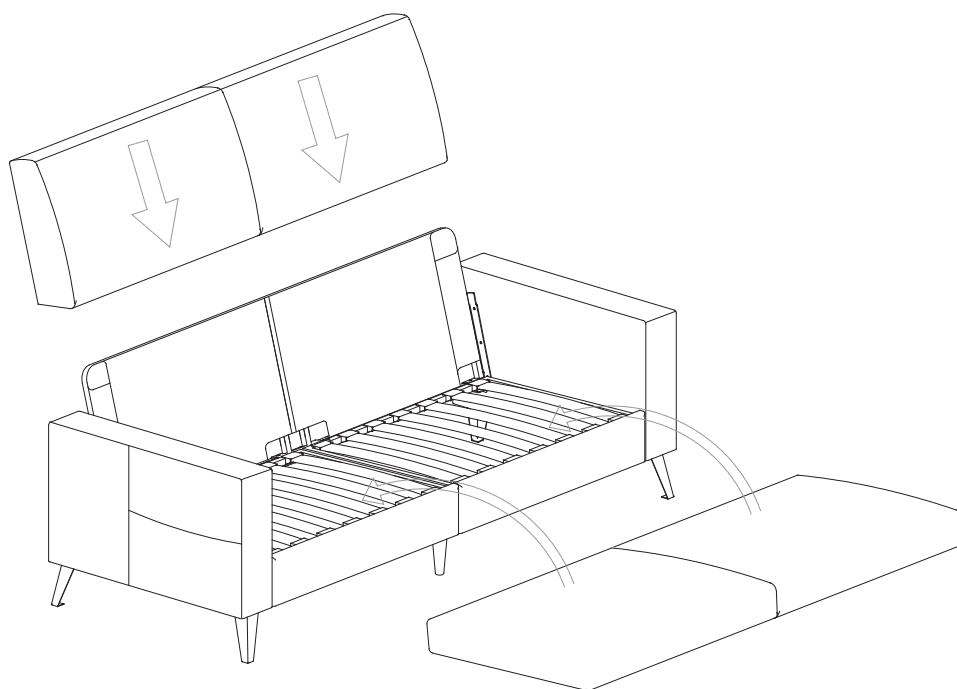


Assemble Tip: If you find difficult to install the Part J, suggest you to use a rubber hammer or something else to hit the edge of the Part J to let it attached.

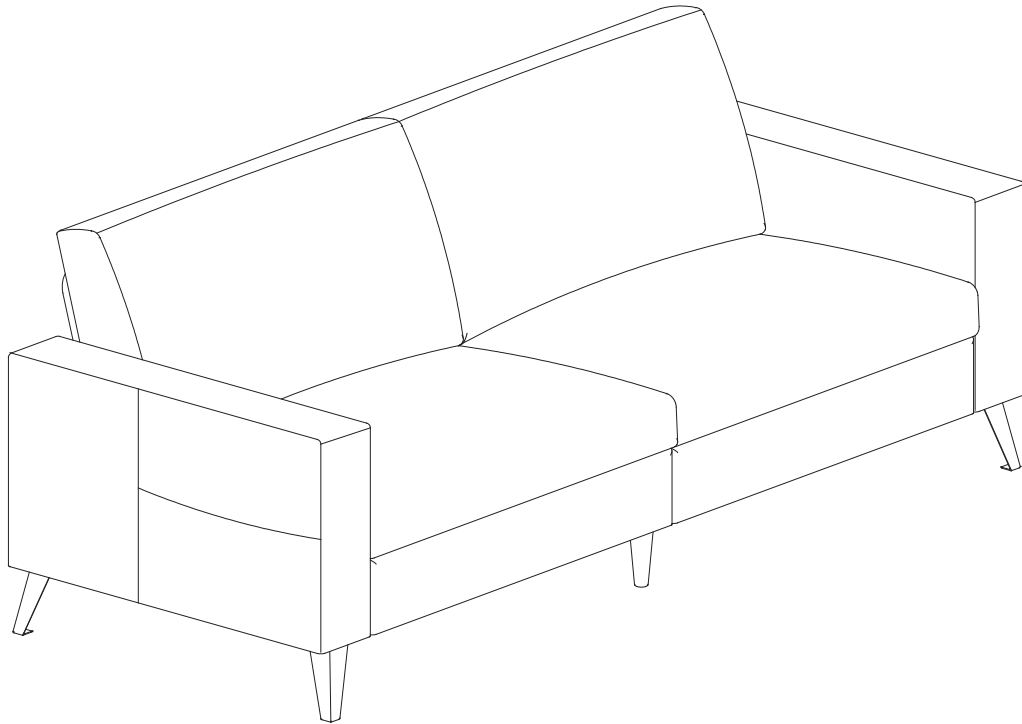
STEP 11



STEP 12



STEP 13



This sofa is very easy to maintain, it is recommended to use a wet cloth to wipe the stains.

Do not hesitate to contact us if you have any questions, we will reply within 24h.