



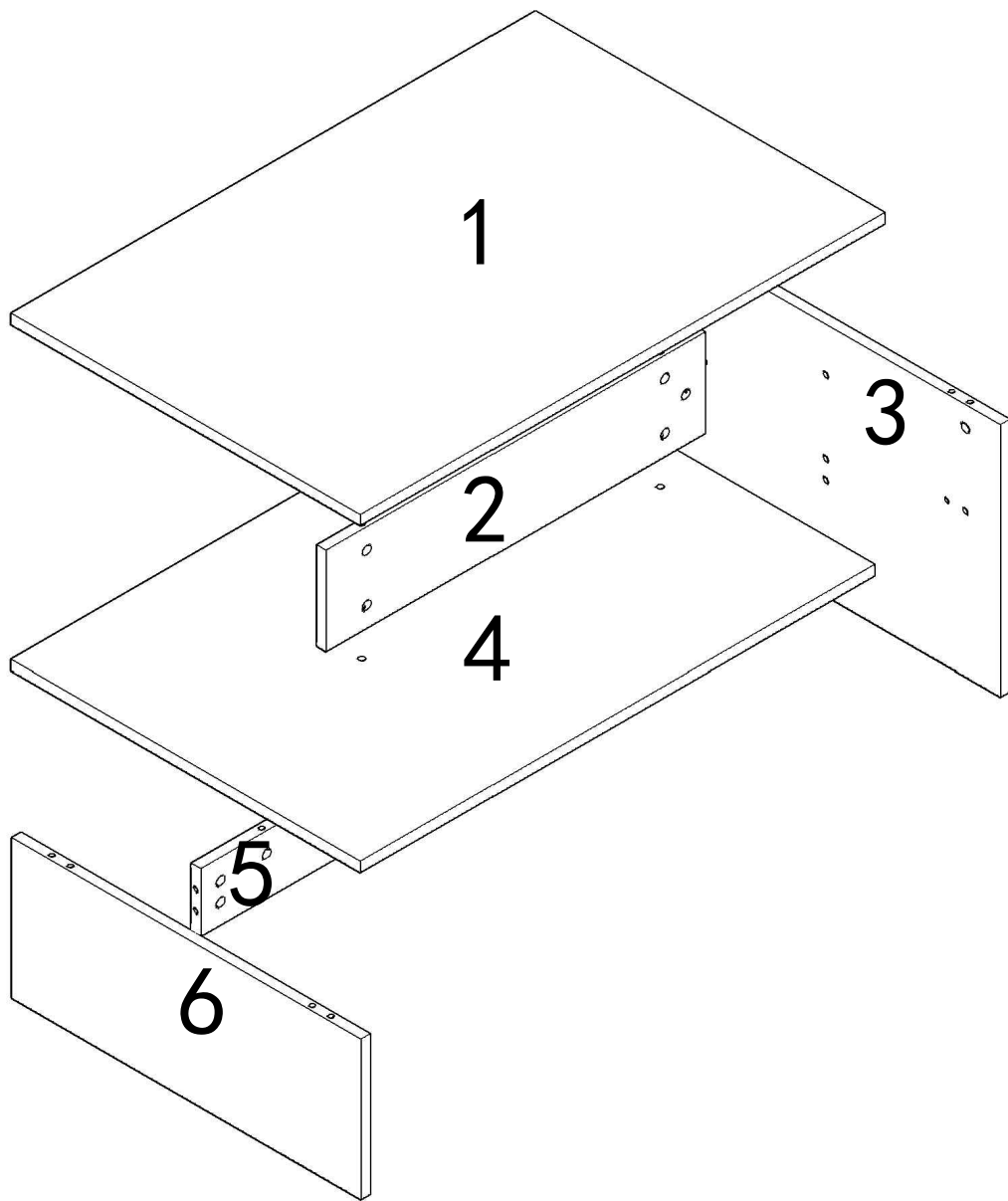
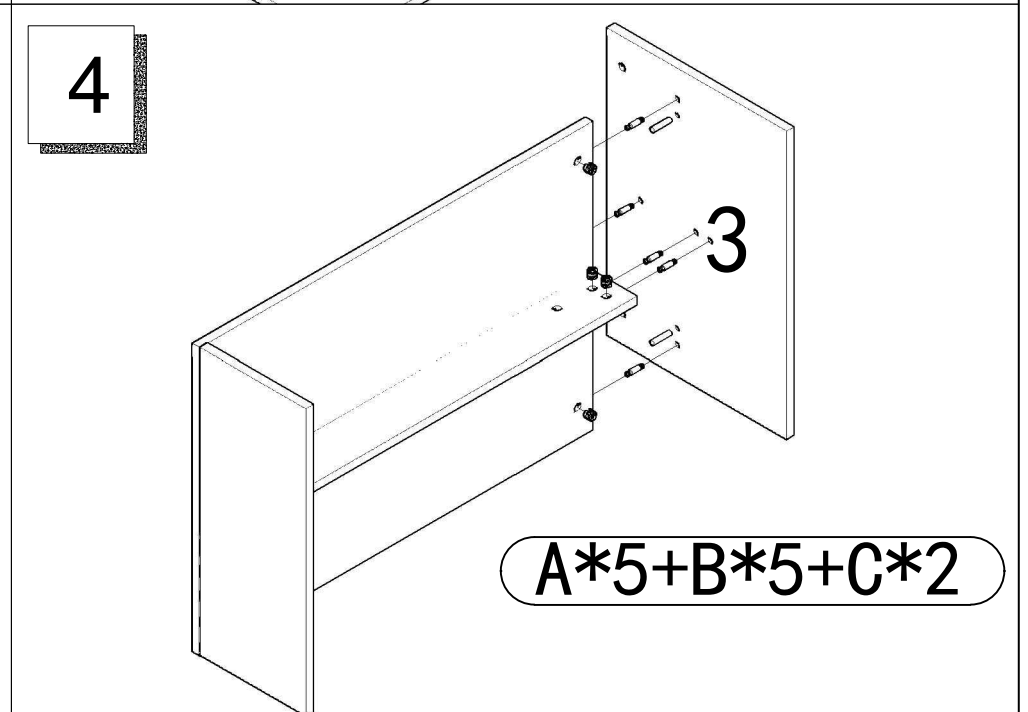
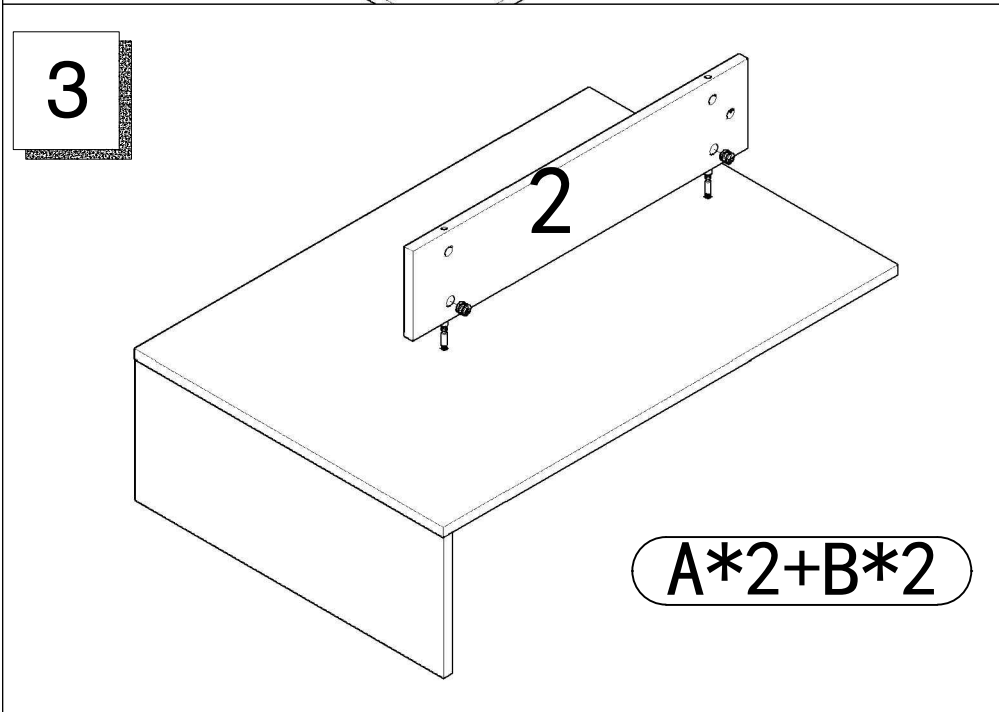
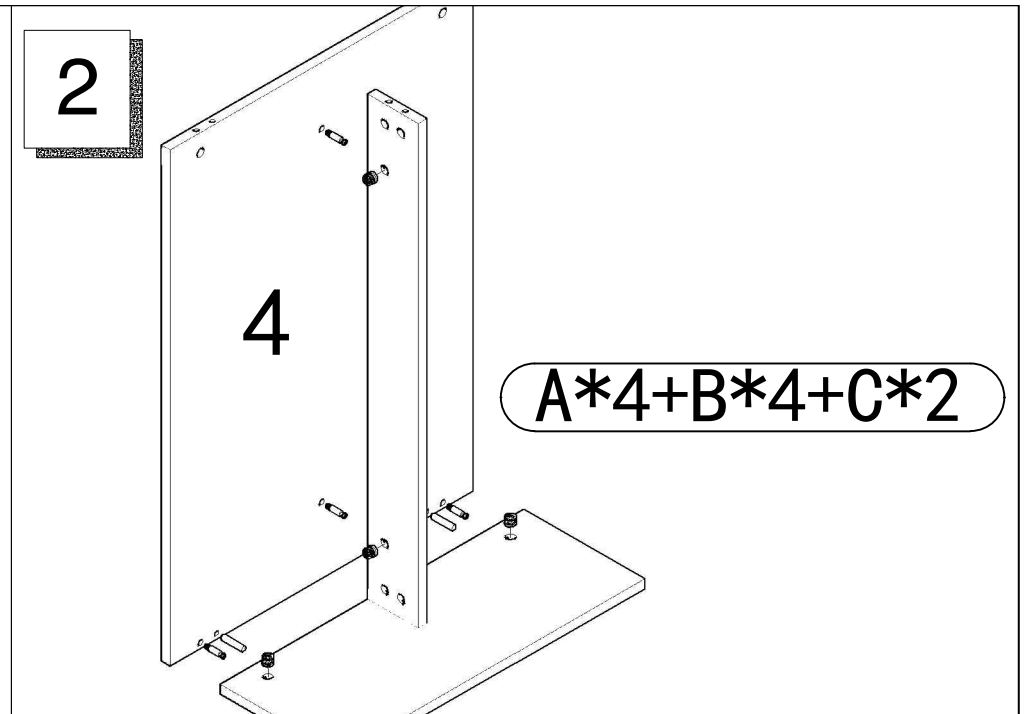
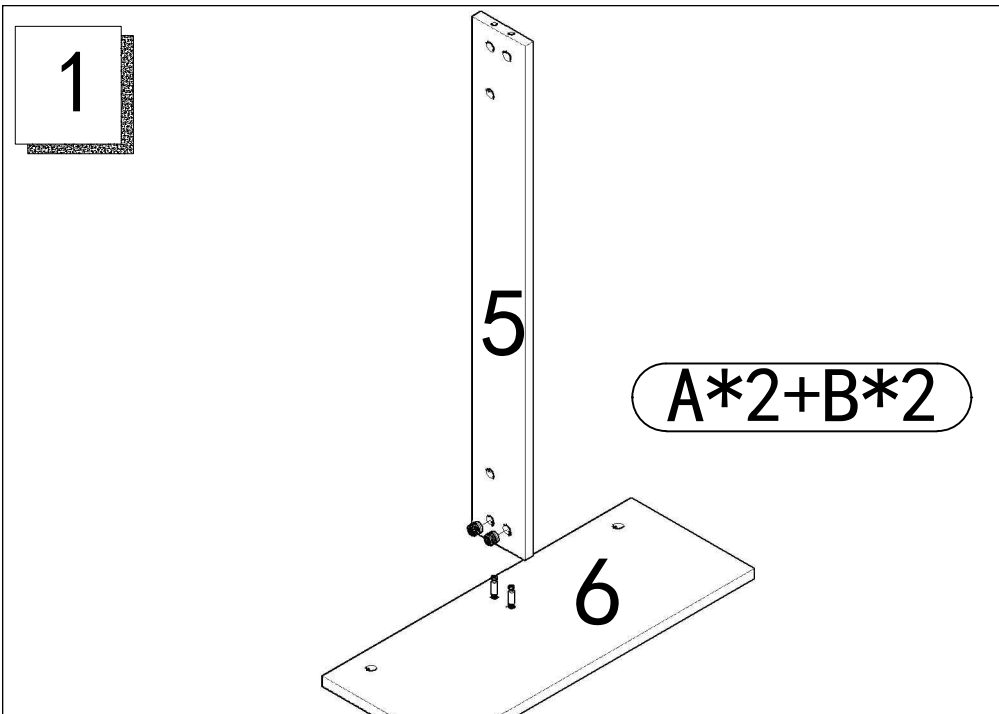


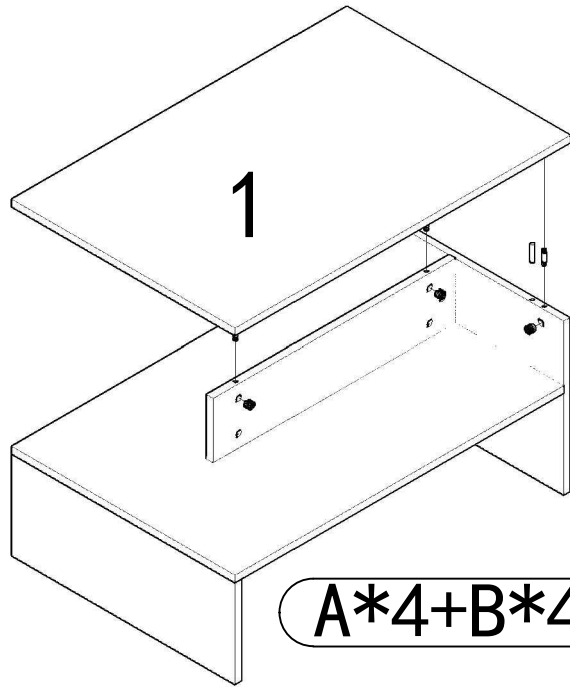
| | | |
|----------|------------|---|
| A | 17x |  |
| B | 17x |  |
| C | 6x |  |
| D | 4x |  |



| | | |
|---|--------------|-------|
| 1 | 900*600*16mm | 1 pcs |
| 2 | 650*150*16mm | 1 pcs |
| 3 | 404*600*16mm | 1 pcs |
| 4 | 883*600*16mm | 1 pcs |
| 5 | 866*100*16mm | 1 pcs |
| 6 | 238*600*16mm | 1 pcs |

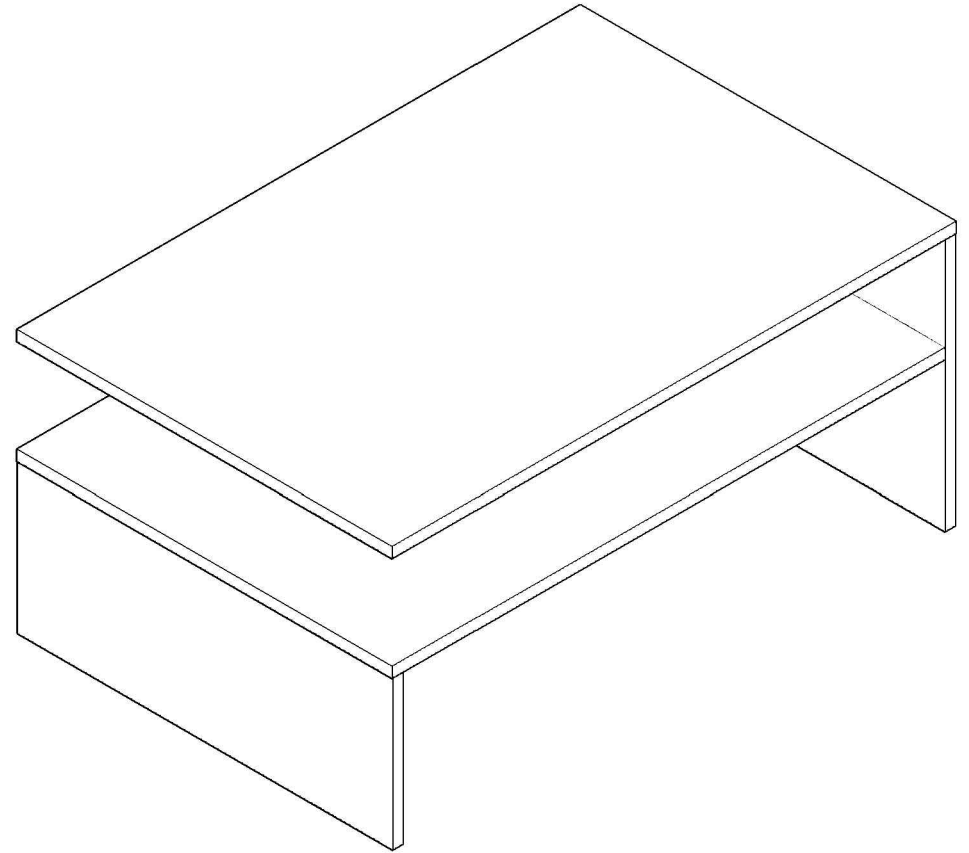


5

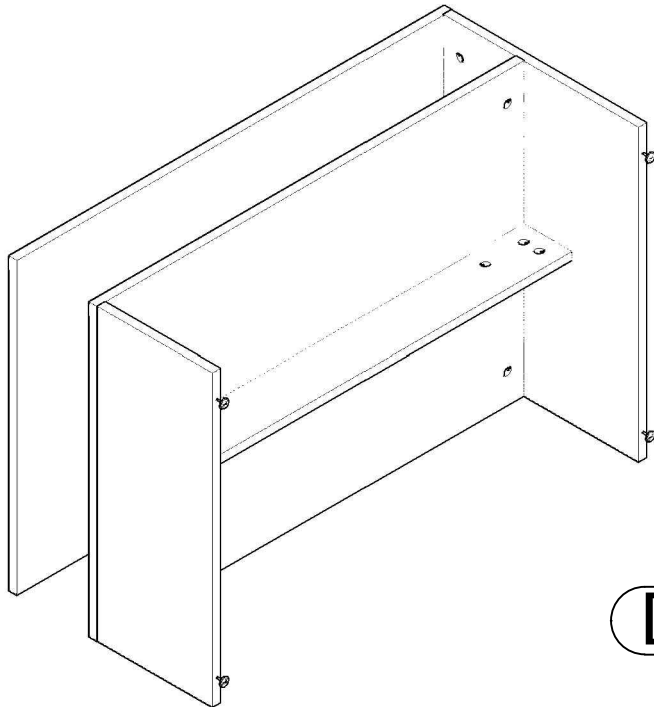


$A*4+B*4+C*2$

7



6



$D*4$