



DISHWASHER

Model - WB / BB / SB - 1840



INSTALLATION GUIDE

Read the instructions carefully and keep for future reference

To prevent accidents, which could cause serious injury or death, as well as machine damage read these instructions before installation and / or use.

Contents

1. IMPORTANT SAFETY INSTRUCTIONS	1
2. TOOLS WHICH MAY BE NEEDED	4
3. MATERIALS WHICH MAY BE NEEDED	4
4. MATERIALS SUPPLIED	5
5. DISHWASHER SPECIFICATIONS	6
5.1 TECHNICAL FEATURES	6
6. ENCLOSURE PREPARATION	7
6.1 ELECTRICAL PREPARATION	7
6.2 PREPARATION FOR INSTALLING MOUNTING BRACKETS	7
6.3 ADJUSTING HEIGHT	8
6.4 PREPARING THE WATER CONNECTION	9
6.5 STEAM PROTECTION FOIL	10
7. PLACEMENT OF DISHWASHER INTO THE OPENING	11
7.1 DRAIN HOSE CONNECTION, WATER SUPPLY & ELECTRICAL CONNECTIONS	11
7.2 INSTALLING THE ADJUSTABLE KICKPLATE	14
8. INSTALLER CHECKLIST	15
9. FINAL INSTRUCTIONS	15
10. SELF HELP HINTS	15

INTRODUCTION

When using the dishwasher, follow carefully precautions in this instruction, especially the safety instructions. These are provided in order to save you, your time and effort and help to ensure optimum dishwasher performance. Be sure to observe all listed warnings and cautions. Look particularly for the icons with exclamation marks inside. The information icon will also provide important references.



WARNING:

Indicates a potentially hazardous situation which, if not avoided, could result in death or serious injury.

CAUTION:

Indicates a potentially hazardous situation which, if not avoided, may result in injury. It may also be used to alert against unsafe practices.

Notice:

Indicates a potentially hazardous situation which, if not avoided, may result in damage to the dishwasher, the table-ware, the equipment or the environment.

1. IMPORTANT SAFETY INSTRUCTIONS

In addition to these instructions, the dishwasher shall be installed:

- * In accordance with all local codes or, in absence of a local code,
- * In the United States, with the National Electric Code,
- * In Canada, with the Canadian Electric Code C22.1-latest edition/Provincial and Municipal codes and/or local codes.



Read these installation instructions completely before installing and follow them carefully. Save these installation instructions and pass them on to any future user.



When installing the dishwasher, follow basic precautions, including the following:

- The dishwasher can only be converted from cord-connected to permanently connected by an authorized technician.
- Installation and repair should be performed by a qualified installer. Work by unqualified persons could be dangerous and may void the warranty.

Notice

The dishwasher should be installed by an insured licensed plumber, contractor or trained installer. Installation performed by persons other than this could result in improper installation and property damage.

- Do not operate the appliance if damaged, malfunctioning, partially disassembled or if it has missing or broken parts.
- Also follow the safety instructions of the user manual.
- To reduce the risk of electric shock, fire, or injury to persons, the installer must ensure that the dishwasher is completely enclosed at the time of installation.
- Only connect the dishwasher to the power supply when all installation and plumbing work is complete.
- If the dishwasher is installed in a location that experiences freezing temperatures (e.g. in a vacation home, cabin, etc.), you must drain all the water from the dishwasher's interior. Water system ruptures that occur as a result of freezing are not covered by warranty.
- Dishwasher must be secured to adjacent cabinetry using the brackets provided. Failure to do this may cause damage to property or bodily injury.

Connect to a properly rated, protected and sized power supply circuit to avoid electrical overload. The dishwasher is designed for an electrical supply of 120 V (volts), 60 Hz (hertz), AC, connected to a dishwasher-dedicated, properly grounded electrical circuit with a fuse or breakers rated for 15 amperes. Electrical supply conductors shall be a minimum of # 14 AWG copper wire rated at 75 °C (167 °F) or higher. These requirements must be met to prevent injury and machine damage. Consult a qualified electrician if in doubt.

This dishwasher includes heating element. Do not touch the heating element during or immediately after use.

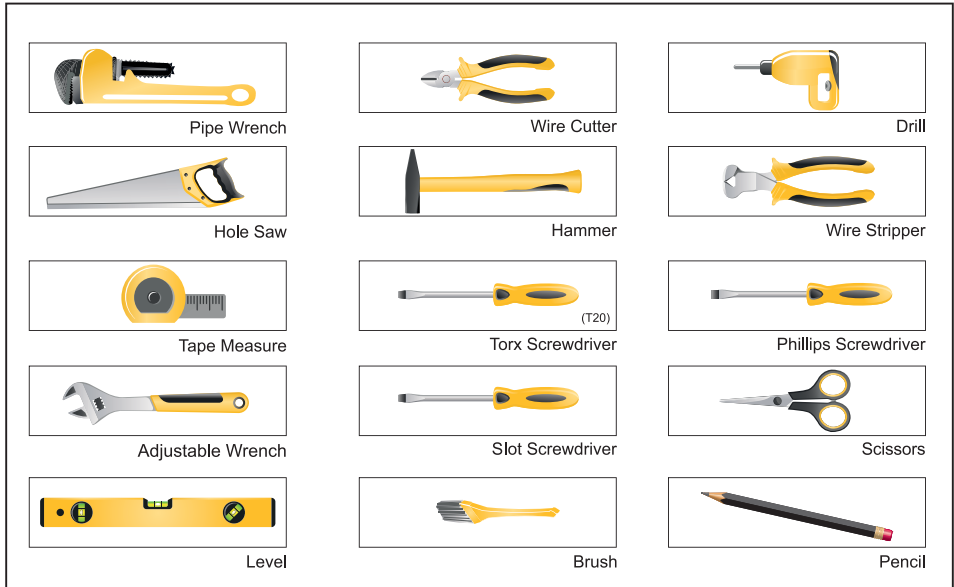
- Do not use any extension cord or portable outlet device to connect the dishwasher to a power supply.
- Ensure that any plastic wrappings, bags, small pieces etc. are disposed of safely and kept out of the reach of children. Danger of suffocation!

- Remove the door to the washing compartment when removing an old dishwasher from service or discarding it. Ensure that the appliance presents no danger to children while being stored for disposal.
- Old appliances may contain materials that can be recycled. Please contact your local recycling authority about the possibility of recycling these materials.

Notice

- The dishwasher drain hose must be installed with a drain loop at least 28" (710mm) off the cabinet floor; otherwise the dishwasher may not drain properly.
- This dishwasher is intended for residential use only, and should not be used in commercial establishments.
- New installation - If the dishwasher is a new installation, most of the work must be done before the dishwasher is moved into place.
- Replacement - If the dishwasher is replacing another dishwasher, check the existing dishwasher connections for compatibility with the new dishwasher, and replace parts as necessary.

2. TOOLS WHICH MAY BE NEEDED



3. MATERIALS WHICH MAY BE NEEDED

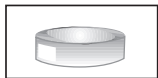
(Additional materials may be required to comply with local codes)



Hot Water Supply Line - Minimum 3/4" O.D. copper tubing or metal braided dishwasher supply line.



UL listed conduit connector or strain relief.



Teflon tape or other pipe thread compound to seal plumbing connections.



Shut-off valve and fittings appropriate for hot water supply line (copper tubing/compression fitting, or braided hose).



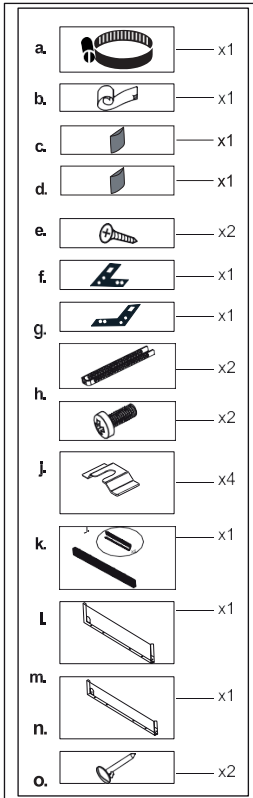
Silicone



Glue

4. MATERIALS SUPPLIED

The dishwasher comes with an Owner's Manual, Installation Guide and parts required to install it. Check that all of the following parts are included.



DISHWASHER PARTS BAG 1

This dishwasher bag comes with the following parts:

- a. Hose Clamp

DISHWASHER PARTS BAG 2

- b. Steam Protection Foil
- c. Side Trim Strips (Left)
- d. Side Trim Strips (Right)

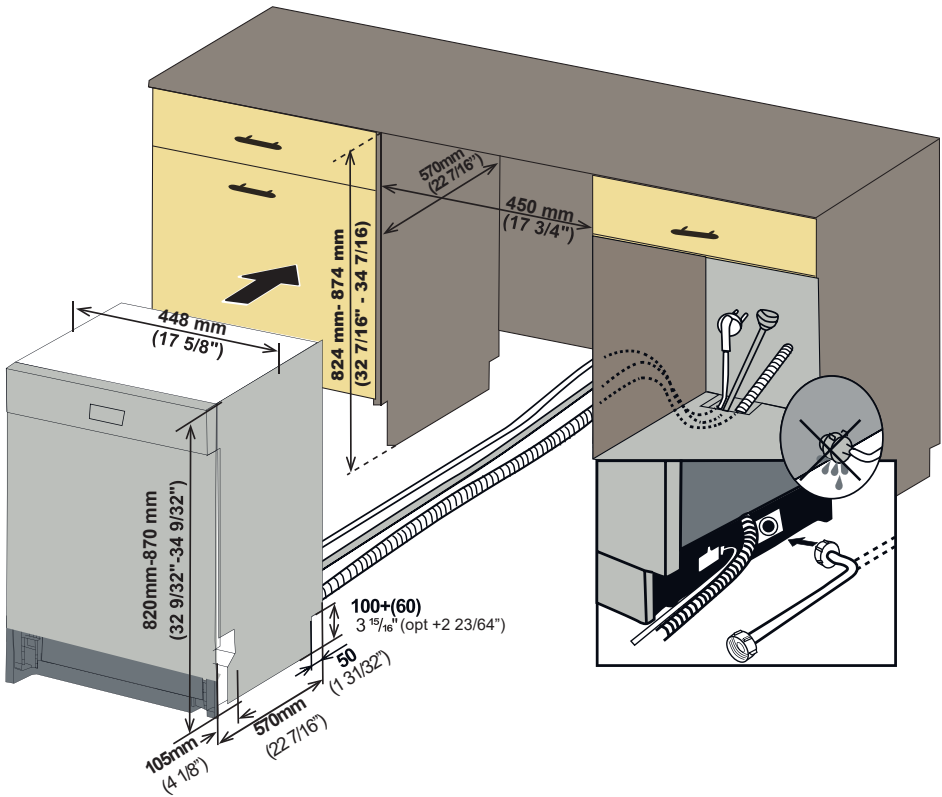
DISHWASHER PARTS BAG 3

- e. Screws $\text{\O} 5/32'' \times 19/32''$ ($\text{\O} 4\text{mm} \times 15\text{mm}$)
- f. Mounting Bracket Left
- g. Mounting Bracket Right

DISHWASHER PARTS BAG 4 (MODEL DEPENDING)

- h. Toe Kick Bracket
- j. Screws $\text{\O} 5/32'' \times 7/32''$ ($\text{\O} 4\text{mm} \times 6\text{mm}$)
- k. Plinth Fixing Metal
- l. Adjustable Plinth
- m. Adjustable Plinth Metal (130mm)
- n. Adjustable Plinth Metal (80mm)
- o. Plinth Locking Pins

5. DISHWASHER SPECIFICATIONS



5.1 TECHNICAL FEATURES

Load capacity	8 place settings
Permissible water pressure	43.5 - 145 psi (0.3 - 10 bars)
Electrical connection	120 V (volts), 12 A (amps), 60Hz (hertz)
Total power	1400 W (watts)
Heater power	1100 W (watts)

Notice :

Because we continually strive to improve our products, we may change our specifications and design without prior notice.

This device corresponds to the following directives:

UL 749 Household Dishwasher directive.

6. ENCLOSURE PREPARATION

6.1 ELECTRICAL PREPARATION

WARNING

The dishwasher is designed for an electrical supply of 120 V, 60 Hz, AC, connected to a dishwasher-dedicated, properly grounded electrical circuit with a fuse or breaker rated for 15 amperes.

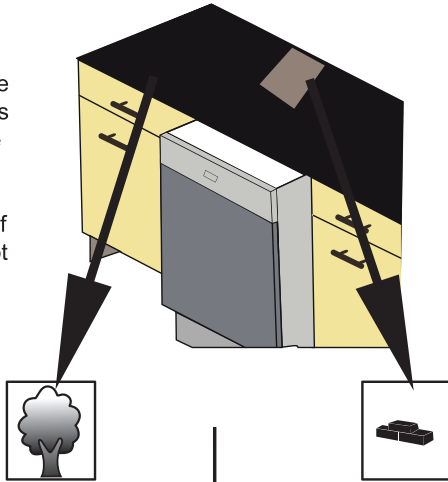
The power-supply receptacle for the appliance shall be installed in a cabinet or on a wall adjacent to the under counter space in which the appliance is to be installed.

6.2 PREPARATION FOR INSTALLING MOUNTING BRACKETS

WARNING

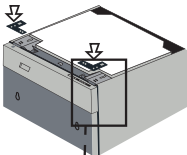
The mounting brackets in the plastic bag should be used when the dishwasher is installed in the cabinetry. Use of any parts other than mounting brackets may result in damage to property or bodily injury.

There shall be an opening through the partition between the compartments that is large enough for the attachment plug to pass through. The longest dimension of the opening shall not be more than 1.5 in (38 mm).

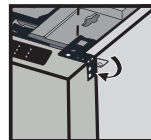
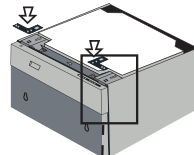


The edges of the cabinetry, if the partition is wood, be smooth and rounded, or, if the partition is metal, be covered with an edge protector provided for this purpose by the manufacturer, and care shall be exercised, when the appliance is installed or removed, to reduce the likelihood of damage to the power-supply cord.

If material of countertop board is wooden etc.



If material of countertop board is ceramic etc.



Place the two mounting brackets into the top corners of the dishwasher.

If necessary (according to counter top board material), bend sides of mounting brackets.

6.3 ADJUSTING HEIGHT

CAUTION

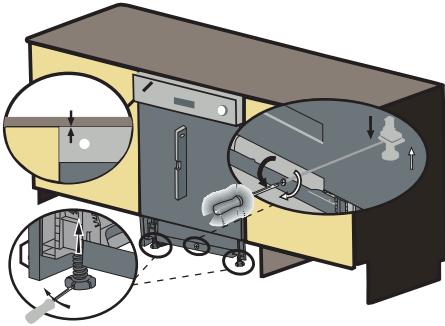
First Step: Before the dishwasher is placed in the cabinetry, the front feet are closed until the end and the dishwasher is placed in the cabinetry.

Second Step: Adjust the forefoot level with a slot screwdriver to stabilize the dishwasher and raise it to the enclosure height.

Third Step: Adjust the rear foot level with a philips screwdriver to balance and raise the dishwasher to the enclosure height.

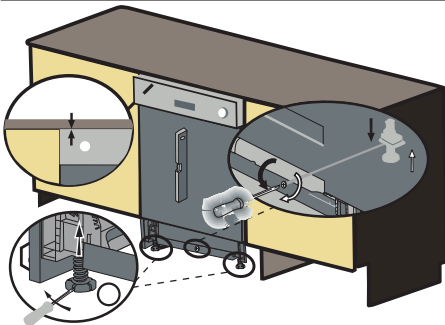
Notice

- Make sure the dishwasher is plumb and notice dishwasher can be placed with a small clearance under the counter top.
- For front feet- turning the feet in the direction of the black arrows with the slot screwdriver allows the dishwasher to move downwards.
- For rear feet- turning the philips screwdriver in the direction of the black arrows will take the dishwasher feet down.



If the height of the enclosure is 32 9/32" to 34 9/32" (820mm-870mm) use short supports as shown in the figure.

ops.(+50) H= 32 9/32" to 34 9/32" (820mm-870mm)



If the height of the enclosure is above 32 9/32" (870mm) use long supports as shown in the figure.

6.4 WATER SUPPLY CONNECTION

Water supply may be connected to the dishwasher in one of two ways:

- With metal braided hose.
- With copper tubing

BRAIDED HOSE/COPPER TUBING

After connections are made turn on the water supply to check for leaks.

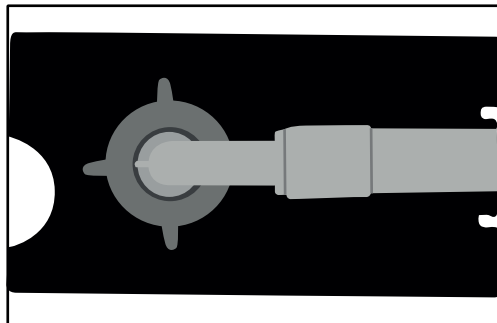


Hot water supply line: Use minimum 3/4" O.D. copper tubing or metal braided dishwasher supply line.

Water Inlet valve of dishwasher has 3/4"-11.5NH inlet coupling thread dimension according to ASME B1.20.7-1991.

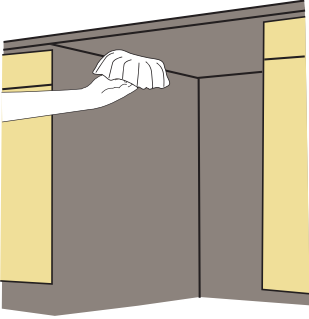
When buying water inlet hose for your dishwasher, please choose the thread dimension of the inlet hose as compatible with indicated water inlet valve inlet coupling thread dimension (3/4"-11.5NH) of your dishwasher.

- Temperatures required for soldering and sweating will damage the dishwasher's water inlet valve so if any such operation is needed, keep the heat source min. 77/8" (200mm) away from the dishwasher's water inlet valve.
- There should not be any sharp bends in the water line that may restrict the water flow.
- Teflon tape or pipe tread compound must be used for sealing the connection. Before connecting the copper water supply line to the dishwasher, flush it with hot water to clear any foreign material.



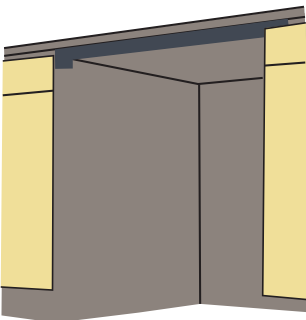
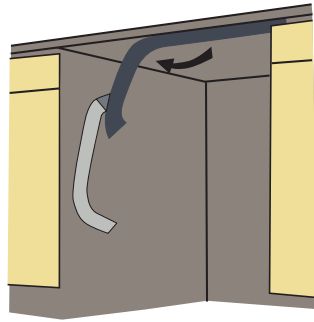
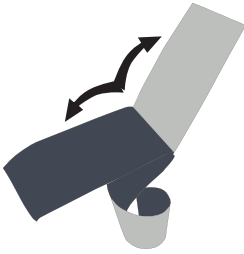
6.5 STEAM PROTECTION FOIL

Steam will be output when the dishwasher door is opened during the operation of the dishwasher and after completion of the working cycle. In order to prevent the resulting steam from collecting and damaging at the underside of the counter top, use a steam protection foil included in the plastic bag.



6.5.1 FITTING THE PROTECTION FOIL

Clean the surface with a damp cloth before applying steam protection to the underside of the counter top.

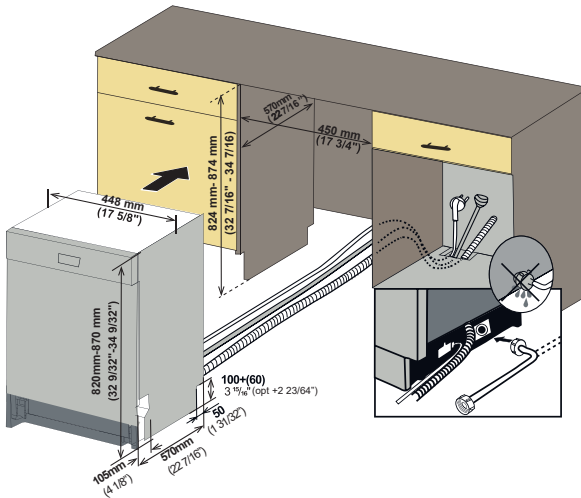


CAUTION

Steam protection foil must be applied where the steam escapes when door is first opened. **Failure to install the steam protection foil during installation can lead to damage to the cabinets and countertop.**

7. PLACEMENT OF DISHWASHER INTO THE OPENING

Now place the dishwasher into the opening and get ready to connect all hoses and electrical connections.

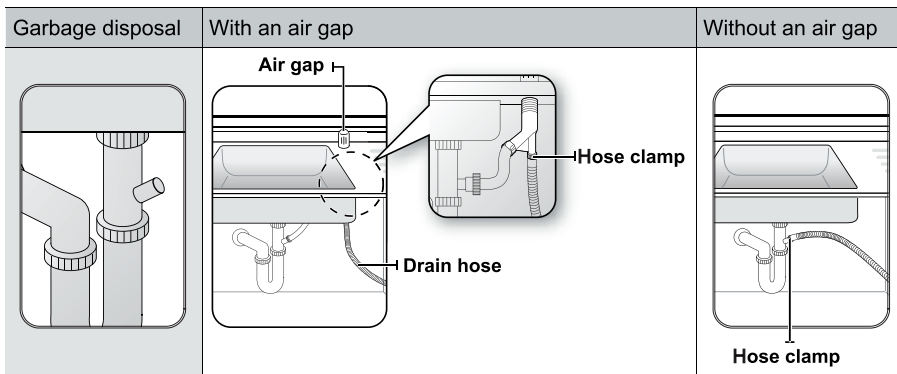


⚠ CAUTION
Make sure all hoses are pulled through the side opening of the cabinet, no hoses are kinked and all slack is taken out as shown in the figure.

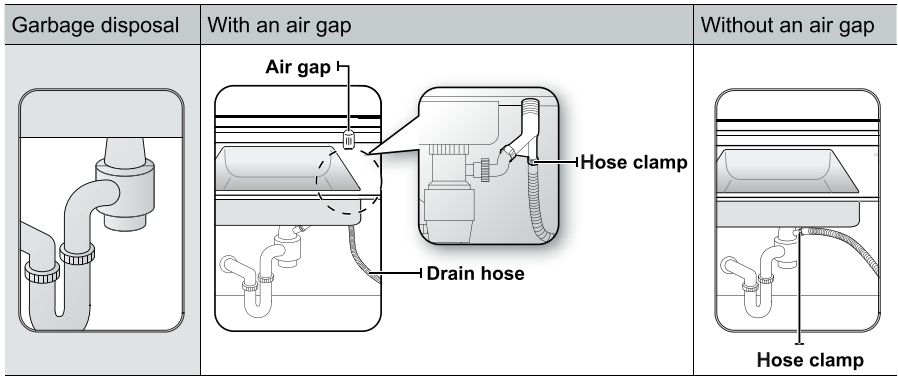
7.1 DRAIN HOSE CONNECTION, WATER SUPPLY & ELECTRICAL CONNECTIONS

7.1.1 DRAIN HOSE CONNECTION

1. Check the parts on the sink to which the drain hose will be connected.
2. There are several ways to insert the drain hose into the drain hose connector of the sink, as shown in the following figures. You must connect the drain hose in accordance with the water pipe installation regulations in your region.



A. Without disposal



B. With disposal

3. Check the size of the sink's drain hose connector. If needed, cut the drain hose so its end fits onto the sink connector (5/8 in., 3/4 in. or 1 in. - as shown in C below). If the end of the drain hose does not fit onto the drain hose connector of the sink, use an adaptor purchasable at a plumbing/hardware supply store.

4. Slide a hose clamp over the end of the drain hose. Attach the drain hose to the sink connector, slide the hose clamp to the end of the hose, and then tighten the hose clamp. Note : You must use a hose clamp. Failure to do so may cause water leakage.

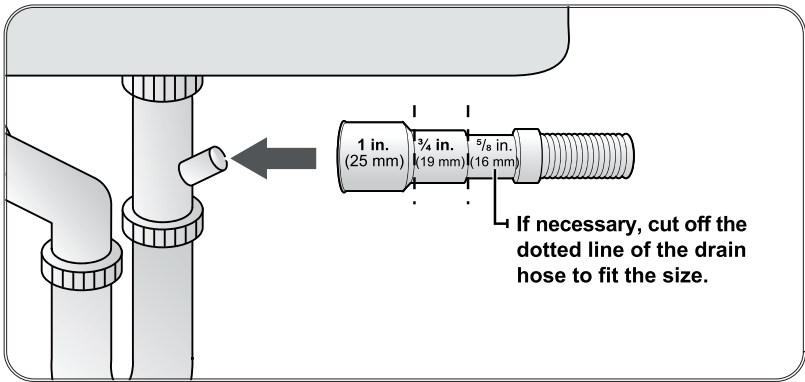
5. If there is no air gap, make sure to hang the middle of the drain hose well above the sink cabinet base to prevent back flow (see Figure E below).

6. When drilling a hole for the drain hose on the cabinet wall, take caution not to damage the drain hose by sharp edges of the hole. On wooden walls, use sanding to soften the edges. On metal walls, use insulation tape or duct tape to cover the sharp edges around the hole.

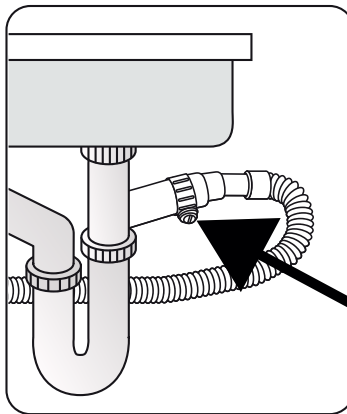
7. Take caution not to damage the drain hose when installing the dishwasher on the floor, wall, or cabinet. To prevent leaks or drainage problems, make sure the drain hose is not damaged, kinked, or twisted.

8. Do not cut the wrinkled area of the drain hose to fit the size. When arranging the drain hose, take caution not to contact on sharp edges of the cabinet or under-sink.

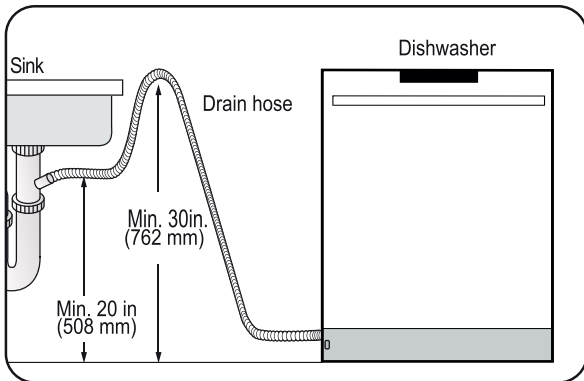
- Be careful when cutting off the end of the drain hose as there is a risk of injury. Clean around the sink's drain connection so that it does not damage the hose. Check for any foreign items in the drain hose and remove them.
- When arranging the drain hose, make sure the drain hose is not cut, torn, or broken by any sharp edges of the floor, the product itself, or the cabinet. A damaged drain hose causes a leak.



C



D



E

7.2 INSTALLING THE ADJUSTABLE KICKPLATE

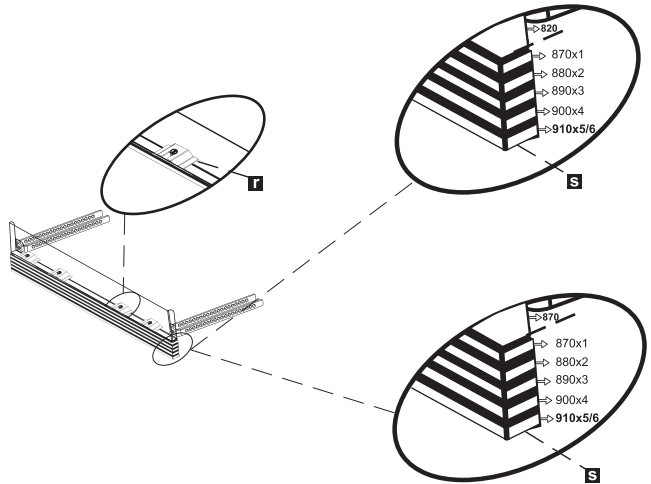
Now that you have successfully installed the dishwasher, you need to attach the to the dishwasher. The two piece kickplate can be adjusted to the height and depth needed for your kitchen.

1. If the height is 32 9/32" to 34 9/32" (820mm-870mm) and use short supports; adjustable plinth metal with 80 mm length (v), kickplate brackets (o) are installed. Mounting is done using Screws \varnothing 5/32" x 7/32" (\varnothing 4mm x 6mm) with a Philips Screwdriver.

If the height is above 34 9/32" (870mm) and use short supports; adjustable plinth metal with 130 mm length (v), kickplate brackets (o) are installed. Mounting is done using Screws \varnothing 5/32" x 7/32" (\varnothing 4mm x 6mm) with a Philips Screwdriver.

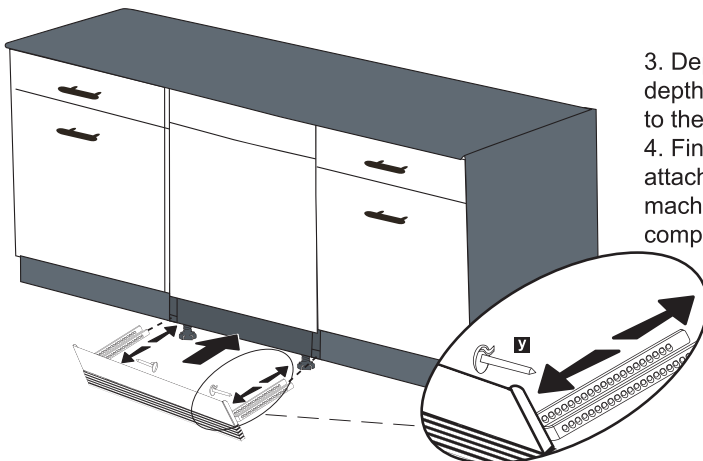
2. The adjustable plinth number is determined according to the required distance and assembled to each other.

3. As shown in the Figure, the cylindrical feet of the adjustable plinth are attached to the plinth fixing metal parts and shifted through the cavity of the part.



3. Depending on the desired depth, plinth locking(y) is attached to the kickplate bracket (o).

4. Finally, kickplate brackets(o) are attached to the gaps under the machine and the installation is completed.



8. INSTALLER CHECKLIST

Your installer must have completed and checked the following:

- The dishwasher is square and level.
- The dishwasher is fastened securely to the cabinetry.
- The dishwasher door opens and closes freely. The dishwasher door must close without hitting any cabinetry or counter top.
- The inlet water supply is turned on and checked for leaks.
- The drain hose has been connected and checked for leaks. There must be no kinks or obstructions in the drain hose.
- The drain hose must be installed with a 28" (710mm) high drain loop for drain hook-ups without any air removed.
- If you connect the water drain hose to a trap spigot under the sink, remove the plastic membrane. If you do not remove the entire membrane, remaining food can cause a blockage in the drain hose spigot. Ensure a hose clamp is used to secure the hose to the spigot.
- The spray arms are free and rotate freely.
- The rinse cycle has been run.
- The water level will be below the filter screen after the end of the wash program. It is normal to find some water in the drain filter area.

9. FINAL INSTRUCTIONS

- Press the Power button to turn the dishwasher on.
- Power indicator light comes on.
- Use the Program Select button to choose a washing program.
- Start the program with the Start/Pause button.
- Run the dishwasher through one complete cycle. When the wash cycle is completed, use the Power button to turn the dishwasher off.

[i] Notice :

If the dishwasher does not operate properly, refer to the self help hints.

10. SELF HELP HINTS:

The screen does not come on:

- Check to make sure the breaker to the dishwasher is in the on position.
- Check to make sure that the Supply cord is plugged.

No Water is coming into the dishwasher:

- Check to make sure the water shut-off is in the ON position.

Water does not drain:

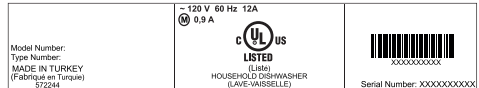
- Make sure drain hose is not kinked or comes out of air gap next to the sink.
- Remove drain hose from disposal making sure plug is removed.

[i] Notice :

- If your dishwasher is not operating properly after following these steps,

Contact Customer Service
Phone/Text: 1-800-776-3538
Email: service@ApplianceDesk.com

- The manufacturer warranty does not cover installation, conversion or customer education service visits.



You will find the model and serial number information on the label located on the right-hand side of the inner door of your dishwasher, as shown above.

[i] Notice :

Please make a copy of your invoice and keep it with this manual and register your dishwasher on-line.

Pour éviter tout accident pouvant entraîner des blessures graves voire mortelles, ainsi que des dommages à la machine, veuillez lire attentivement ces instructions avant l'installation et/ou l'utilisation.

Table des Matières

<u>1. CONSIGNES DE SÉCURITÉ IMPORTANTES</u>	1
<u>2. OUTILS POUVANT ÊTRE NÉCESSAIRES</u>	4
<u>3. MATÉRIAUX POUVANT ÊTRE NÉCESSAIRES</u>	8
<u>4. MATÉRIAUX FOURNIS</u>	5
<u>5. CARACTÉRISTIQUES DU LAVE -VAISSELLE</u>	6
5.1 CARACTÉRISTIQUES TECHNIQUES	6
<u>6. PRÉPARATION DE L'ENCEINTE</u>	9
6.1 PRÉPARATION ÉLECTRIQUE	9
6.2 PRÉPARATION POUR L'INSTALLATION DES SUPPORTS DE FIXATION	9
6.3 AJUSTEMENT DE LA HAUTEUR	8
6.4 RACCORD D'ALIMENTATION EN EAU	11
6.5 FEUILLE DE PROTECTION CONTRE LA VAPEUR	10
<u>7. PLACEMENT DU LAVE- VAISSELLE DANS L'OUVERTURE</u>	11
7.1 RACCORDEMENT DU TUYAU DE VIDANGE, ALIMENTATION EN EAU ET RACCORDEMENTS ÉLECTRIQUES	11
7.2 INSTALLATION DE LA PLAQUE DE PROTECTION RÉGLABLE	17
7.3 INSTALLATION DE LA PORTE EXTÉRIEURE	18
<u>8. LISTE DE VÉRIFICATION POUR L'INSTALLATEUR</u>	18
<u>9. INSTRUCTIONS FINALES</u>	18
<u>10. CONSEILS D'AUTOASSISTANCE</u>	18

INTRODUCTION

Lors de l'utilisation du lave-vaisselle, suivez attentivement les précautions évoquées dans le présent manuel, en particulier les consignes de sécurité. Elles sont destinées à vous faire gagner du temps et à ménager vos efforts lors de l'installation et vous aideront à assurer le bon fonctionnement de votre lave-vaisselle. Veillez à respecter tous les avertissements et mises en garde indiqués. Faites particulièrement attention aux icônes avec des points d'exclamation. L'icône d'information fournira également des références importantes.

 AVERTISSEMENT

 ATTENTION

 NOTE

AVERTISSEMENT :

Indique une situation potentiellement dangereuse qui, si elle n'est pas évitée, pourrait entraîner la mort ou des blessures graves.

ATTENTION :

Indique une situation potentiellement dangereuse qui, si elle n'est pas évitée, peut entraîner des blessures. Cette icône peut également être utilisée pour signaler des pratiques dangereuses.

Instructions :

Indique une situation potentiellement dangereuse qui, si elle n'est pas évitée, peut endommager le lave-vaisselle, la vaisselle, l'équipement ou l'environnement.

1. CONSIGNES DE SÉCURITÉ IMPORTANTES

En plus de ces instructions, le lave-vaisselle doit être installé :

- * Conformément aux codes locaux ou, en l'absence de codes locaux,
- * Aux États-Unis, conformément au Code national de l'électricité,
- * Au Canada, conformément au Code canadien de l'électricité C22.1 - dernière édition/Codes provinciaux et municipaux et/ou codes locaux.

 NOTE

Lisez attentivement les présentes instructions d'installation avant de procéder à l'installation et suivez-les attentivement. Conservez les présentes instructions d'installation et transmettez-les aux futurs utilisateurs.

 AVERTISSEMENT

Lors de l'installation du lave-vaisselle, suivez les précautions de base, y compris les suivantes :

- Seul un technicien est autorisé pour convertir ce lave-vaisselle raccordé par un cordon d'alimentation en un lave-vaisselle raccordé de façon permanente.
- L'installation et les réparations doivent être effectuées par un installateur qualifié. Les travaux effectués par des personnes non qualifiées peuvent être dangereux et peuvent annuler la garantie.

NOTE

Le lave-vaisselle doit être installé par un plombier, un entrepreneur ou un installateur qualifié. L'installation effectuée par des personnes autres que celles mentionnées ci-dessus peut entraîner une installation incorrecte et des dommages matériels.

- Ne faites jamais fonctionner l'appareil s'il est endommagé, défectueux, partiellement démonté ou s'il contient des pièces cassées ou manquantes.

- Respectez également les consignes de sécurité du manuel d'utilisation.

Pour réduire les risques de choc électrique, d'incendie ou de blessures, l'installateur doit s'assurer que le lave-vaisselle est complètement hermétique au moment de l'installation.

- Ne branchez le lave-vaisselle à l'alimentation électrique que lorsque tous les travaux d'installation et de plomberie sont terminés.

- Si le lave-vaisselle est installé dans un endroit où il fait très froid (p. ex. dans une maison de vacances, une cabane, etc.), vous devez vidanger toute l'eau de l'intérieur du lave-vaisselle. Les ruptures du réseau d'eau causées par le gel ne sont pas couvertes par la garantie.

- Le lave-vaisselle doit être fixé aux meubles adjacents à l'aide des supports fournis.

Le non-respect de cette consigne peut entraîner des dommages matériels ou corporels

Raccordez le lave-vaisselle à un circuit d'alimentation électrique correctement protégé et dimensionné et aux valeurs nominales appropriées pour éviter toute surcharge électrique. Le lave-vaisselle est conçu pour une alimentation électrique de 120 V (volts), 60 Hz (hertz), CA, branché à un circuit électrique indépendant, correctement mis à la terre avec un fusible ou des disjoncteurs prévus pour 15 ampères. Les conducteurs d'alimentation électrique doivent être d'un calibre minimum de fil de cuivre n° 16 AWG pour un minimum de 75°C (167°F). Ces exigences doivent être respectées pour éviter les blessures et les dommages à la machine. Consultez un électricien qualifié en cas de doute.

Ce lave-vaisselle comprend un élément chauffant. Ne touchez pas l'élément chauffant pendant ou immédiatement après l'utilisation.

- N'utilisez jamais de rallonge ou de prise de courant portative pour brancher le lave-vaisselle à une source d'alimentation électrique.

- Assurez-vous que tous les emballages et sachets en plastique et autres petites pièces, etc. sont jetés de façon sûre et maintenez-les hors de la portée des enfants. Risque de suffocation!

•Retirez la porte du compartiment de lavage lorsque vous mettez un vieux lave-vaisselle hors service ou que vous le jetez. Veillez à ce que l'appareil ne présente aucun danger pour les enfants lors de son stockage en vue de son élimination.

•Les anciens appareils électroménagers peuvent contenir des matériaux qui peuvent être recyclés. Veuillez contacter votre autorité de recyclage locale pour connaître les possibilités de recyclage de ces matériaux.

I NOTE

Le tuyau de vidange du lave-vaisselle doit être installé à une hauteur de vidange d'au moins 28 po (710 mm) par rapport au bas du meuble, sinon l'eau risquerait de ne pas s'évacuer correctement du lave -vaisselle.

•Ce lave -vaisselle est destiné à un usage résidentiel exclusivement et ne doit pas être utilisé dans des établissements commerciaux.

•Nouvelle installation - Si le lave-vaisselle est une nouvelle installation, la majeure partie du travail doit être effectuée avant que le lave -vaisselle ne soit mis en place.

•Remplacement - Si le lave-vaisselle est destiné à remplacer un autre lave-vaisselle, vérifiez la compatibilité des raccords existants avec ceux du nouveau lave -vaisselle et remplacez les pièces au besoin.

2. OUTILS POUVANT ÊTRE NÉCESSAIRES



3. MATÉRIAUX POUVANT ÊTRE NÉCESSAIRES

(Matériaux supplémentaires pouvant être nécessaires pour se conformer aux codes locaux)



Alimentation en eau chaude avec tube en cuivre d'un diamètre extérieur d'au moins 3/4 po (1.91cm) ou tuyau d'alimentation tressé en métal pour lave-vaisselle.



Raccord de conduit ou protecteur de tension homologué UL.



Ruban de téflon ou autre composé pour filetage pour sceller les raccords de plomberie.



Robinet d'arrêt et raccords appropriés pour la conduite d'eau chaude sanitaire (tube en cuivre/raccords à compression ou tuyau tressé).



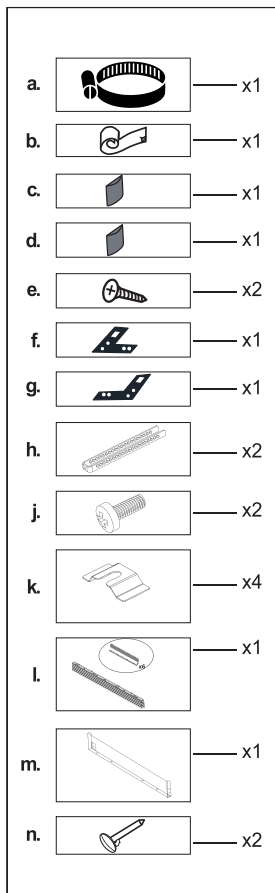
Silicone



Colle

4. MATÉRIAUX FOURNIS

Le lave-vaisselle est livré avec un Manuel du Propriétaire, un Guide d'Installation et les pièces nécessaires à son installation. Vérifiez que toutes les pièces suivantes sont incluses.



SACHET 1

Cesachet pour l'installation du lave - vaisselle contient les pièces suivantes :

- a. Collier de serrage pour tuyau

SACHET 2

- b. Feuille de protection contre la vapeur
- c. Bandes d'habillage latéral (gauche)
- d. Bandes d'habillage latéral (droite)

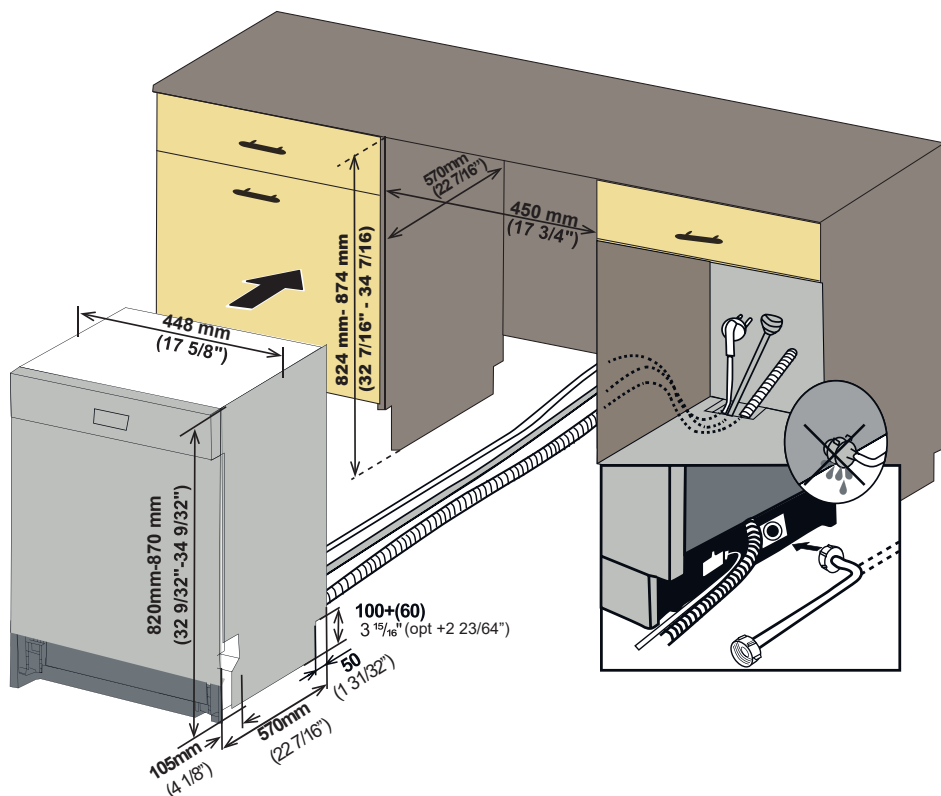
SACHET 3

- e. Vis de 5/32 po de diamètre x 19/32 po (4 mm de diamètre x 15 mm)
- f. Support de fixation gauche
- g. Support de fixation droite

SACHET 4

- h. Élément de fixation du coup-de-pied
- j. Vis de 5/32 po de diamètre x 7/32 po (4 mm de diamètre x 6 mm)
- k. Élément de fixation de plinthe métallique
- l. Plinthe réglable
- m. Élément de réglage de plinthe métallique (80mm)
- n. Élément de verrouillage de plinthe

5. CARACTÉRISTIQUES DU LAVE -VAISSELLE



5.1 CARACTÉRISTIQUES TECHNIQUES

Capacité de charge	8 couverts
Pression d'eau admissible	43.5 - 145 psi (0.3 - 10 bars)
Raccordements électriques	120 V (volts), 12 A (ampères), 60 Hz (hertz)
Puissance totale	1400 W (watts)
Puissance de chauffe	1100 W (watts)

NOTE

Parce que nous nous efforçons continuellement d'améliorer nos produits, nous pouvons modifier leurs caractéristiques et leur design sans préavis.

Cet appareil répond aux directives suivantes:

UL 749 Directive sur les lave-vaisselles domestiques.

6. PRÉPARATION DE L'ENCEINTE

6.1 PRÉPARATION ÉLECTRIQUE

AVERTISSEMENT

Le lave-vaisselle est conçu pour une alimentation électrique de 120 V, 60 Hz, CA, branché à un circuit électrique indépendant, correctement mis à la terre avec un fusible ou des disjoncteurs prévus pour 15 ampères.

La prise d'alimentation de l'appareil doit être installée dans une armoire ou sur un mur adjacent à l'espace sous le comptoir dans lequel l'appareil doit être installé.

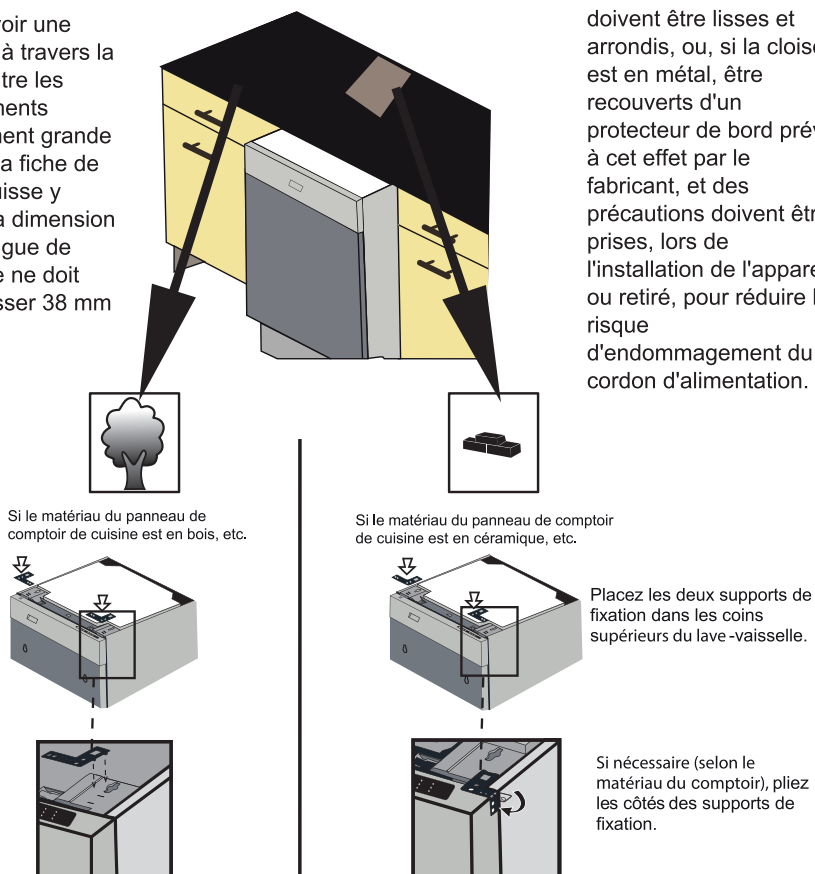
6.2 PRÉPARATION POUR L'INSTALLATION DES SUPPORTS DE FIXATION

AVERTISSEMENT

Les supports de fixation qui se trouvent dans le sachet en plastique doivent être utilisés lorsque le lave-vaisselle est installé dans un meuble. L'utilisation de pièces autres que les supports de fixation peut entraîner des dommages matériels ou corporels.

Il doit y avoir une ouverture à travers la cloison entre les compartiments suffisamment grande pour que la fiche de fixation puisse y passer. La dimension la plus longue de l'ouverture ne doit pas dépasser 38 mm (1.5 po).

Les bords des armoires, si la cloison est en bois, doivent être lisses et arrondis, ou, si la cloison est en métal, être recouverts d'un protecteur de bord prévu à cet effet par le fabricant, et des précautions doivent être prises, lors de l'installation de l'appareil, ou retiré, pour réduire le risque d'endommagement du cordon d'alimentation.



6.3 AJUSTEMENT DE LA HAUTEUR

⚠ ATTENTION

Première étape: Avant de placer le lave-vaisselle dans le meuble, les pieds avant sont au plus serrés puis le lave-vaisselle est placé dans le meuble d'installation.

Deuxième étape: Ajustez le niveau des pieds avant à l'aide d'un tournevis plat pour stabiliser le lave-vaisselle et adapter sa hauteur à celle de l'enceinte.

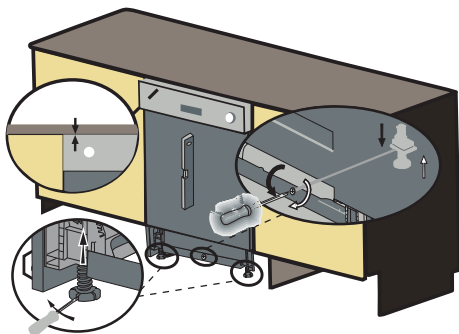
Troisième étape: Ajustez le niveau des pieds arrière à l'aide d'un tournevis Philips pour stabiliser le lave-vaisselle et adapter sa hauteur à celle de l'enceinte.

ℹ NOTE

-Assurez-vous que le lave-vaisselle est bien droit et notez que vous pouvez laisser un petit dégagement entre le lave-vaisselle et le comptoir.

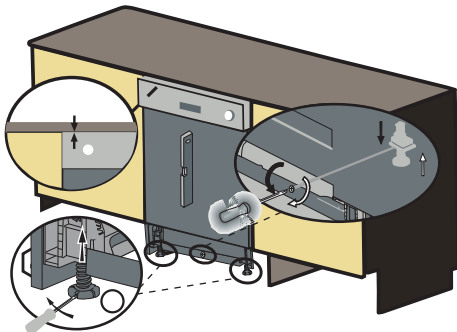
-Pour les pieds avant: si vous tournez les pieds dans le sens des flèches noires avec le tournevis plat, le lave-vaisselle s'abaisse.

-Pour les pieds arrière: si vous tournez le tournevis Philips dans le sens des flèches noires, les pieds du lave-vaisselle s'abaissent.



Si la hauteur de l'enceinte est de 32 9/32" po à 34 9/32" po (820mm-870mm), optez pour une faible hauteur de pieds comme indiqué sur la figure.

ops.(+50) H= 32 9/32" po 34 9/32" (820mm-870mm)



Si la hauteur de l'enceinte est de plus de 32 9/32" po (870mm), optez pour une grande hauteur de pieds comme indiqué sur la figure.

6.4 RACCORD D'ALIMENTATION EN EAU

L'alimentation en eau peut être raccordée au lave-vaisselle de l'une des deux façons suivantes:

- Avec tuyau métallique tressé.
- Avec un tube en cuivre

TUYAU TRESSÉ / TUBE EN CUIVRE

Une fois les raccords effectués, allumez l'alimentation en eau pour vérifier l'absence de fuites.



ATTENTION

Conduite d'alimentation en eau chaude: Utilisez un tube en cuivre d'un diamètre extérieur d'au moins 3/4 po (1,91 cm) ou un tuyau d'alimentation tressé en métal pour lave-vaisselle.

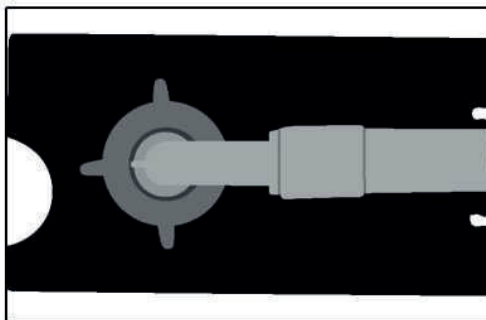
La dimension de filetage du raccord d'entrée de la vanne d'entrée d'eau du lave-vaisselle est de 3/4 po-11.5 NH conformément à la norme ASME B120.7-1991.

Lorsque vous achetez un tuyau d'entrée d'eau pour votre lave-vaisselle, veuillez choisir une dimension de filetage du tuyau d'entrée compatible avec la dimension du filetage du raccord (3/4 po-11.5NH) de votre lave-vaisselle.

• Les températures requises pour la soudure et l'exsudation endommageront le robinet d'arrivée d'eau du lave-vaisselle. Si une telle opération est nécessaire, maintenez la source de chaleur à une distance d'au moins 200 mm (77/8 po) du robinet d'arrivée d'eau du lave-vaisselle.

• Il ne doit pas y avoir de courbures dans la conduite d'alimentation en eau car cela pourrait restreindre le débit de l'eau.

• Pour l'étanchéité du raccord, utilisez du ruban téflon ou un composé pour filetage pour sceller les raccords de plomberie. Avant de raccorder la conduite d'alimentation en eau en cuivre au lave-vaisselle, rincez-la à l'eau chaude pour éliminer tout corps étranger.



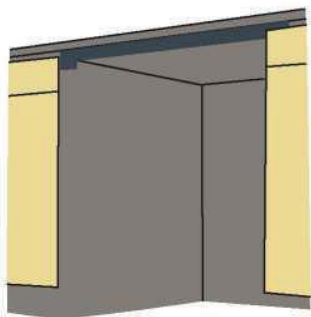
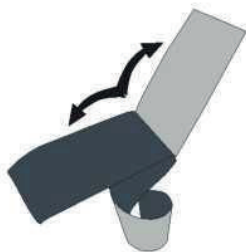
6.5 Feuille de protection contre la vapeur

De la vapeur est produite lorsque la porte du lave-vaisselle est ouverte pendant le fonctionnement du lave-vaisselle et à la fin du cycle de travail. Afin d'éviter que la vapeur qui en résulte ne s'accumule et n'endommage le dessous du comptoir, utilisez une feuille de protection contre la vapeur à l'intérieur qui se trouve dans le sachet en plastique.



6.5.1 MONTAGE DE LA FEUILLE DE PROTECTION

Nettoyez la surface avec un chiffon humide avant d'appliquer la feuille de protection contre la vapeur sur la face inférieure du comptoir.

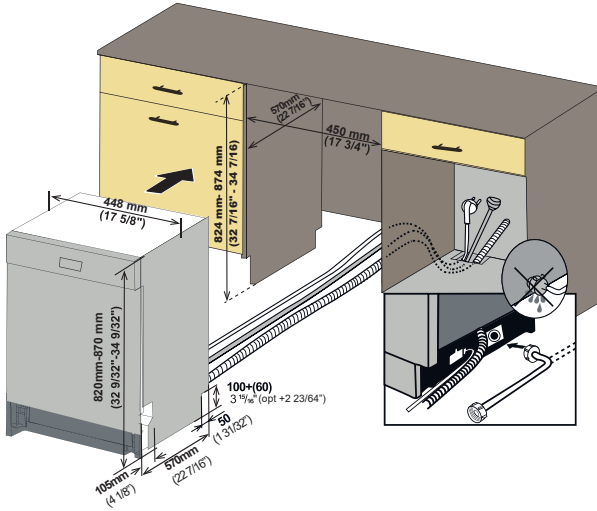


ATTENTION

Une feuille de protection contre la vapeur doit être appliquée à l'endroit où la vapeur s'échappe lorsque la porte est ouverte pour la première fois. Si le film de protection contre la vapeur n'est pas installé en même temps que le lave-vaisselle, les meubles et le comptoir risquent d'être endommagés.

7. PLACEMENT DU LAVE-VAISSELLE DANS L'OUVERTURE

Placez maintenant le lave-vaisselle dans l'ouverture et préparez-vous à raccorder tous les tuyaux et les connexions électriques.



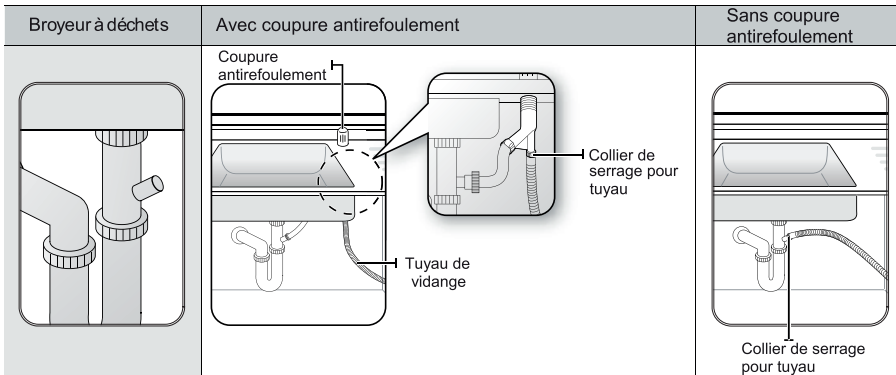
ATTENTION

Assurez-vous que tous les tuyaux sont bien passés dans l'ouverture latérale du meuble, qu'aucun tuyau ne présente de pli et que le mou des tuyaux est tiré comme indiqué sur la figure.

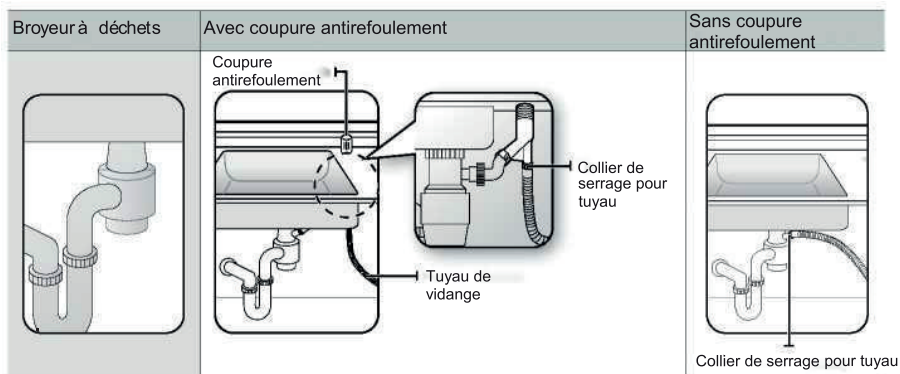
7.1 RACCORDEMENT DU TUYAU DE VIDANGE, ALIMENTATION EN EAU ET RACCORDEMENTS ÉLECTRIQUES

7.1.1 RACCORDEMENT DU TUYAU DE VIDANGE

1. Vérifiez les pièces auxquelles le tuyau de vidange sera raccordé au niveau de l'évier.
2. Il existe plusieurs façons d'insérer le tuyau de vidange dans le raccord du tuyau de vidange de l'évier, comme le montrent les figures suivantes. Vous devez raccorder le tuyau de vidange conformément à la réglementation en vigueur dans votre région en matière d'installation de conduites d'eau.



A. Sans broyeur

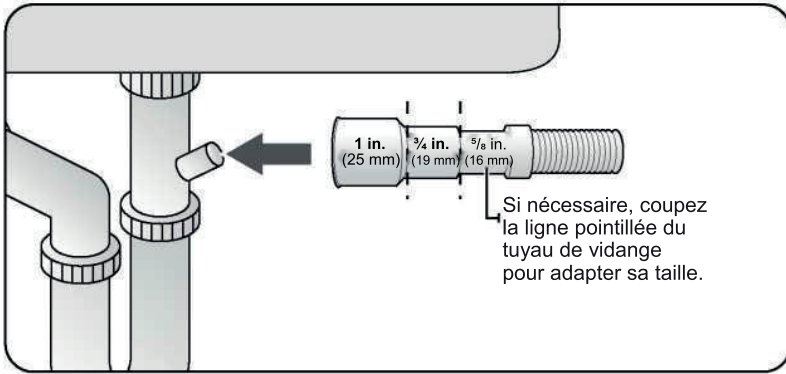


B. Avec broyeur

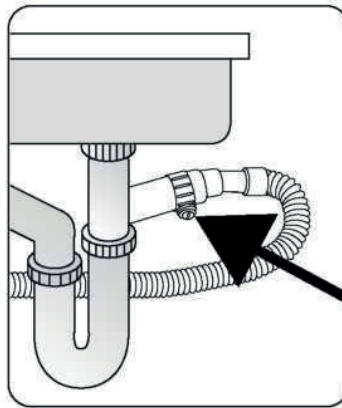
3. Vérifiez la taille du raccord du tuyau de vidange de l'évier. Au besoin, coupez le tuyau de vidange de façon à ce que son extrémité s'adapte au raccord de l'évier [5/8 po (15,88 mm), 3/4 po (19,05 mm), ou 1 po (25,4 mm)], tel qu'illustré en Cci-dessous]. Si l'extrémité du tuyau de vidange ne se fixe pas sur le raccord du tuyau de vidange de l'évier, utilisez un adaptateur que vous pouvez acheter dans un magasin de plomberie ou de quincaillerie.
4. Glissez un collier de serrage pour tuyau sur l'extrémité du tuyau de vidange. Fixez le tuyau de vidange au raccord de l'évier, faites glisser le collier de serrage jusqu'à l'extrémité du tuyau, puis serrez le collier de serrage. Remarque: Vous devez utiliser un collier de serrage pour tuyau. Le non-respect de cette consigne peut entraîner des fuites d'eau.
5. S'il n'y a pas de coupure antirefoulement, veillez à placer le milieu du tuyau de vidange bien au-dessus de la base du meuble de l'évier pour éviter le refoulement (voir Figure Eci-dessous).
6. Lors du perçage d'un trou pour le tuyau de vidange dans la paroi du meuble, veillez à ne pas percer le tuyau de vidange sur les bords tranchants du trou. Sur les murs en bois, utilisez du papier de verre pour lisser les bords. Sur les murs métalliques, utilisez du ruban isolant ou du ruban adhésif en toile pour recouvrir les bords tranchants autour du trou.
7. Faites attention à ne pas endommager le tuyau de vidange lorsque vous installez le lave-vaisselle sur le sol, au mur ou dans un meuble. Pour éviter les fuites ou les problèmes de vidange, assurez-vous que le tuyau de vidange n'est pas endommagé, plié ou tordu.
8. Ne coupez pas la zone plissée du tuyau de vidange pour adapter sa taille. Lors du placement du tuyau de vidange, veillez à ne pas toucher les bords tranchants du meuble ou sous l'évier.

- Soyez prudent lorsque vous coupez l'extrémité du tuyau de vidange, car il y a un risque de blessure. Nettoyez le pourtour du raccord de vidange de l'évier pour qu'il n'endommage pas le tuyau. Vérifiez qu'il n'y a pas des corps étrangers dans le tuyau de vidange et enlevez-les, le cas échéant.

- Lorsque vous placez le tuyau de vidange, assurez-vous qu'il n'a pas été coupé, plié ou percé par des bords tranchants du sol, du meuble, ou du produit lui-même. Un tuyau de vidange endommagé provoque des fuites.

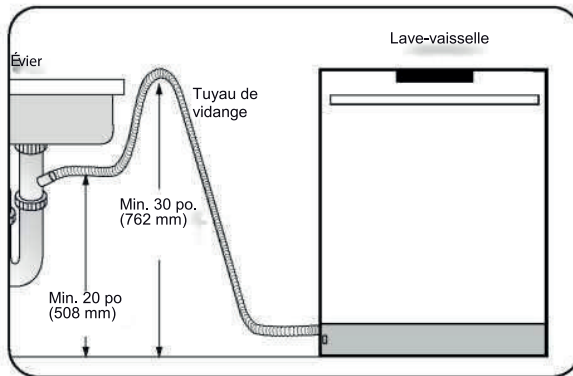


C



Utilisez le collier de serrage pour tuyau illustré à la Figure 4 pour le raccordement du tuyau de vidange à l'évier.

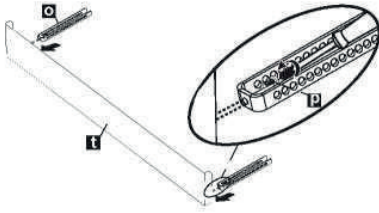
D



E

7.2 INSTALLATION DE LA PLAQUE DE PROTECTION RÉGLABLE

Maintenant que vous avez installé le lave-vaisselle, vous devez fixer la plaque de protection au lave-vaisselle. Le coup-de-pied en deux pièces peut être ajusté à la hauteur et à la profondeur requise pour votre Cuisine

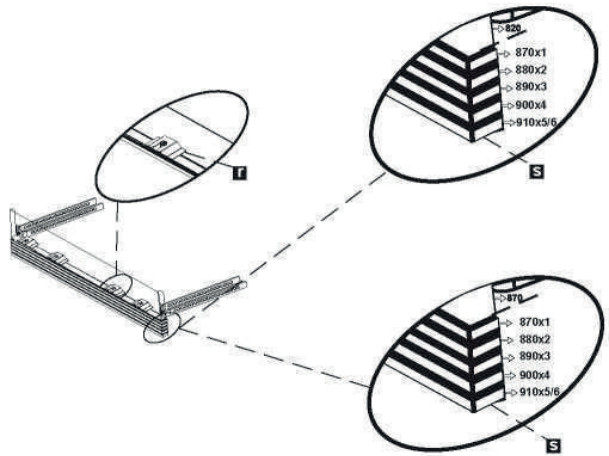


1. Si la hauteur est de 32 9/32 po à 34 9/32 po (820 mm-870 mm) et que vous utilisez des supports courts; installez un élément de réglage de plinthe métallique de 80 mm de longueur (v) et des supports de plaque de protection (o). Le montage se fait à l'aide de vis de 0 5/32 po x 7/32 po (4 mm x 6 mm) de diamètre avec un tournevis Philips.

Si la hauteur est de 34 9/32 po (870 mm) et que vous utilisez des supports courts; installez un élément de réglage de plinthe métallique de 130 mm de longueur (v) et des supports de plaque de protection (o). Le montage se fait à l'aide de vis de 0 5/32 po x 7/32 po (4 mm x 6 mm) de diamètre avec un tournevis Philips.

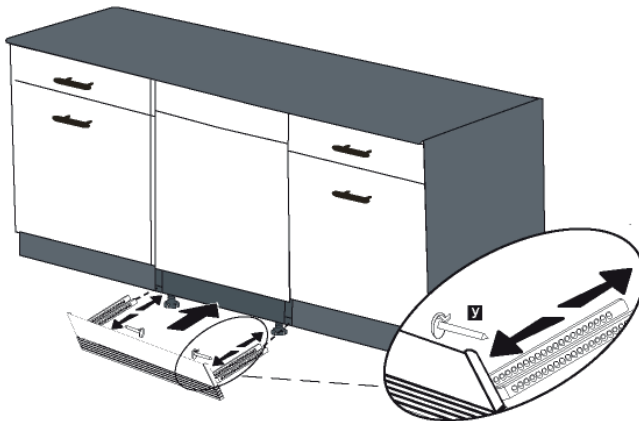
2. Le nombre de plinthes réglables est déterminé en fonction de la distance requise et elles sont assemblées les unes aux autres.

3. Comme le montre la figure, les pieds cylindriques de la plinthe réglable sont fixés aux pièces métalliques de fixation de la plinthe et déplacés à travers la cavité de la pièce.



3. En fonction de la profondeur souhaitée, le système de verrouillage de la plinthe (y) est fixé sur le support de plaque de protection (o).

4. Enfin, les supports de plaque de protection (o) sont fixés aux espaces sous la machine et l'installation est terminée.



8. LISTE DE VÉRIFICATION POUR L'INSTALLATEUR

Votre installateur doit avoir complété et vérifié les points suivants :

- Le lave-vaisselle est à niveau.
- Le lave-vaisselle est solidement fixé au meuble.
- La porte du lave-vaisselle s'ouvre et se ferme librement. La porte du lave-vaisselle doit se fermer sans toucher les meubles ni le comptoir.
- L'arrivée d'eau est allumée et l'étanchéité est vérifiée.
- Le tuyau de vidange a été raccordé et son étanchéité a été vérifiée. Il ne doit pas y avoir de plis ou d'obstructions dans le tuyau de vidange.
- Le tuyau de vidange doit être installé à une hauteur de vidange d'au moins 28 po (710 mm) pour les raccords de vidange sans aucun retrait d'air.
- Si vous branchez le tuyau de vidange d'eau à un embout desiphon sous l'évier, retirez la membrane en plastique. Si vous n'enlevez pas toute la membrane, le reste de la nourriture peut causer un blocage dans l'embout du tuyau de vidange. Utilisez un collier de serrage pour fixer le tuyau au robinet.
- Les bras d'aspersion sont dégagés et pivotent librement.
- Le cycle de rinçage est terminé.
- Le niveau de l'eau sera sous le filtre après la fin du programme de lavage. Il est normal de trouver de l'eau dans la zone du filtre de vidange.

9. INSTRUCTIONS FINALES

- Appuyez sur le bouton Marche/Arrêt pour allumer le lave-vaisselle.
- L'indicateur d'alimentation s'allume.
- Utilisez la touche sélection programme pour choisir un programme de lavage.
- Démarrez le programme à l'aide de la touche Départ/Pause.
- Faites fonctionner le lave-vaisselle pendant un cycle complet. Lorsque le cycle de lavage est terminé, utilisez le bouton Marche/Arrêt pour éteindre le lave-vaisselle.

I NOTE:

Si le lave-vaisselle ne fonctionne pas correctement, consultez les conseils d'autoassistance.

10. CONSEILS D'AUTOASSISTANCE:

L'écran ne s'allume pas:

- Vérifiez que le disjoncteur du lave-vaisselle est en position marche.
- Vérifiez pour que le cordon d'alimentation est bien branché.

L'eau n'entre pas dans le lave-vaisselle:

- Vérifiez que le robinet d'eau est en position ALLUMÉE

L'eau ne s'écoule pas:

- Assurez-vous que le tuyau de vidange n'est pas plié ou qu'il ne sort pas de la coupure antirefoulement à côté de l'évier.
- Retirez le tuyau de vidange de la poubelle en vous assurant que le bouchon est retiré.

I NOTE:

- Si votre lave-vaisselle ne fonctionne pas correctement après avoir suivi ces étapes:

Contactez le service à la clientèle
E-mail: service@ApplianceDesk.com

- La garantie du fabricant ne couvre pas l'installation, la conversion ou les visites de service de formation du client.



Vous trouverez les informations sur le modèle et le numéro de série sur l'étiquette située sur le côté droit de la porte intérieure de votre lave-vaisselle, comme indiqué ci-dessus.

I NOTE:

Veuillez faire une copie de votre facture et la conserver avec ce manuel et enregistrer votre lave-vaisselle en ligne.